



US00D477506S

(12) **United States Design Patent**
Jordan et al.

(10) **Patent No.:** **US D477,506 S**

(45) **Date of Patent:** **** Jul. 22, 2003**

(54) **BARBECUE GRILL TOOL WITH FINGER GRIPS**

D335,241 S * 5/1993 Babin, Jr. D7/395
D427,858 S * 7/2000 Zemel D7/692

(75) Inventors: **Kenneth Jordan**, Columbus, GA (US);
Richard Harris, Beaver Creek, OH (US); **Ryan Neal**, Midland, GA (US)

* cited by examiner

Primary Examiner—Terry A. Wallace
(74) *Attorney, Agent, or Firm*—James W. Kayden; Thomas, Kayden, Horstemeyer & Risley, LLP

(73) Assignee: **W. C. Bradley Company**, Columbus, GA (US)

(57) **CLAIM**

(**) Term: **14 Years**

The ornamental design of a barbecue grill tool with finger grips, as shown and described.

(21) Appl. No.: **29/165,293**

DESCRIPTION

(22) Filed: **Aug. 7, 2002**

FIG. 1 is a perspective view showing our new barbecue grill tool with finger grips;
FIG. 2 is a front elevational view thereof;
FIG. 3 is a rear elevation view thereof;
FIG. 4 is a left side elevational view thereof;
FIG. 5 is a right side elevational view thereof; and
FIG. 6 is top plan view thereof; and
FIG. 7 is a bottom plan view thereof.

(51) **LOC (7) Cl.** **07-04**

(52) **U.S. Cl.** **D7/692; D7/696**

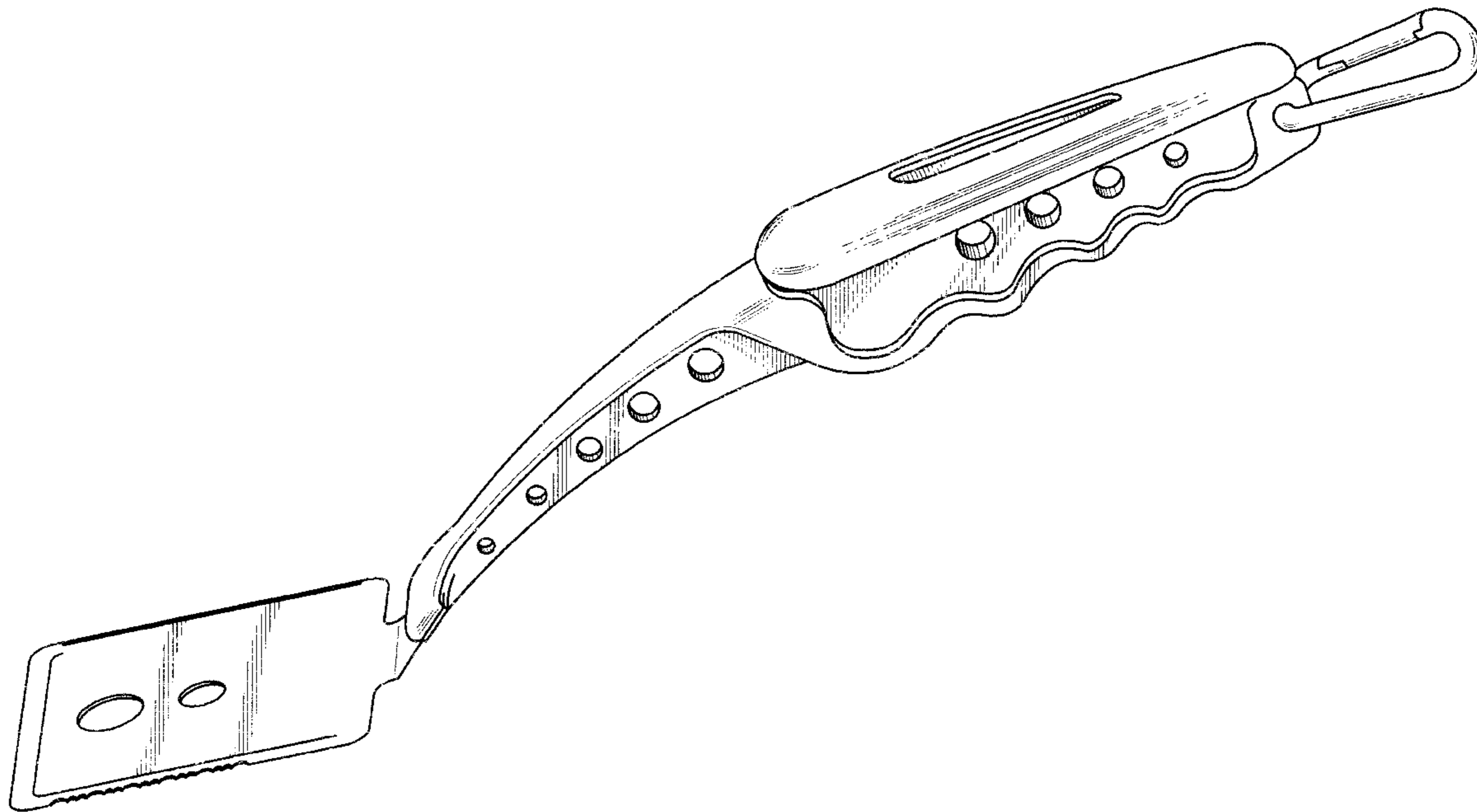
(58) **Field of Search** D7/393, 395, 401.2,
D7/681–696; 294/7, 8; 15/236.01, 236.08;
16/110.1, 430, 431, 436

(56) **References Cited**

U.S. PATENT DOCUMENTS

D301,004 S * 5/1989 Somerset D7/696

1 Claim, 3 Drawing Sheets



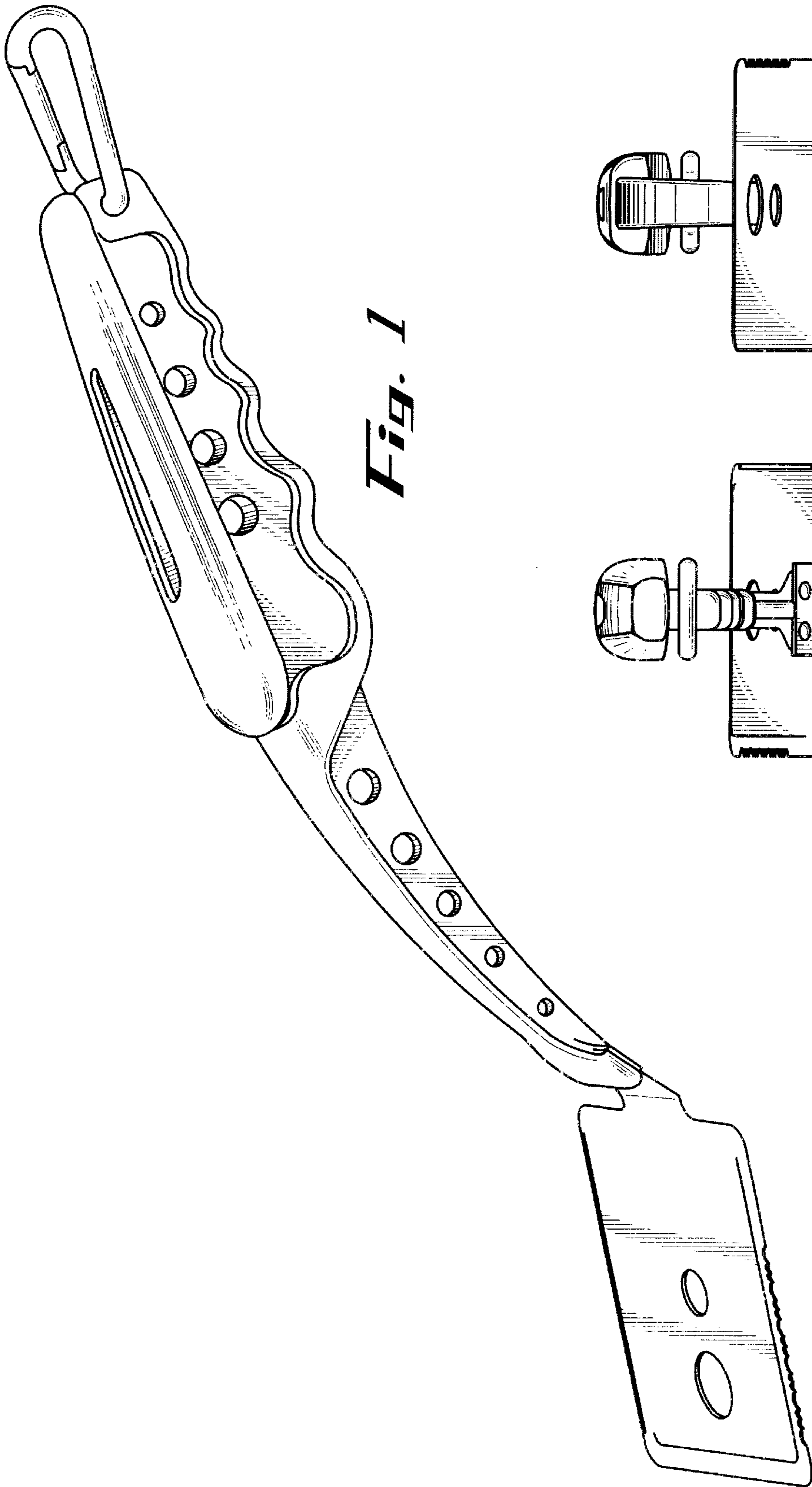


Fig. 1

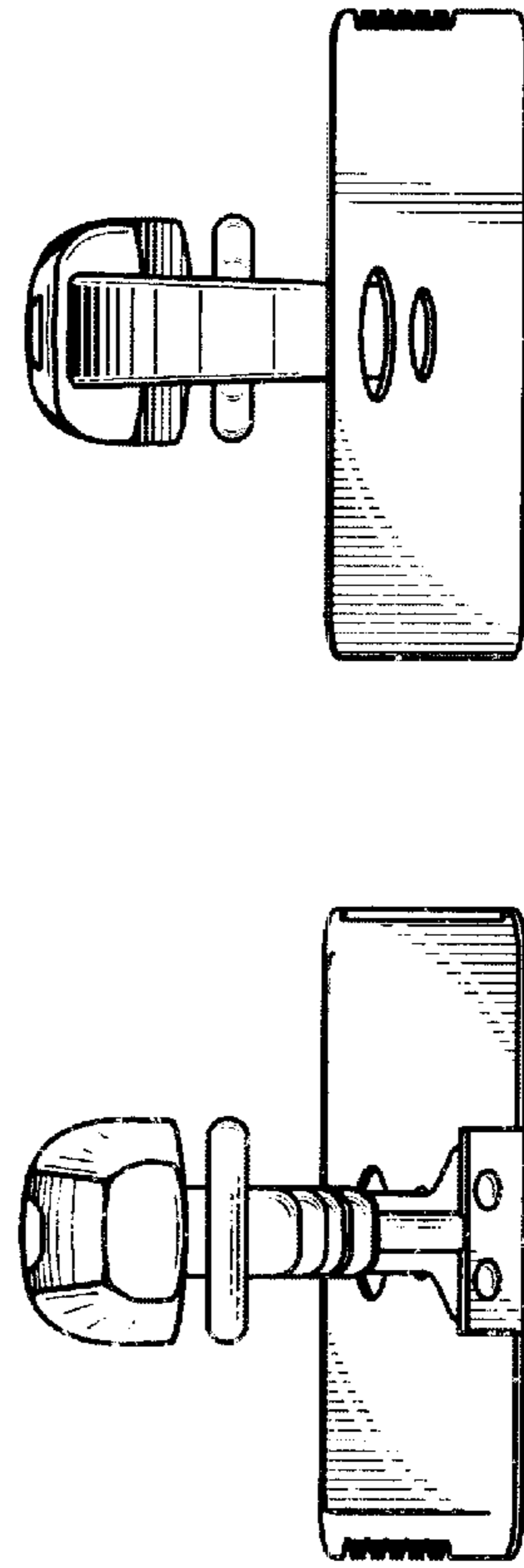


Fig. 2

Fig. 3

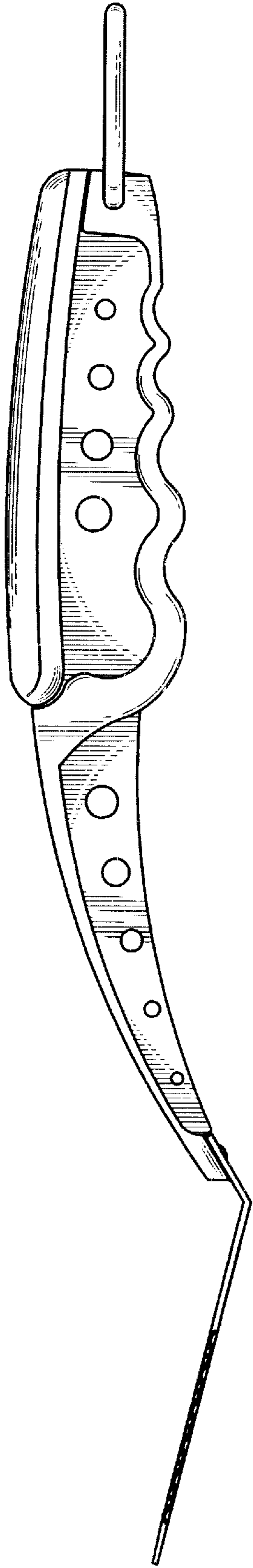


Fig. 4

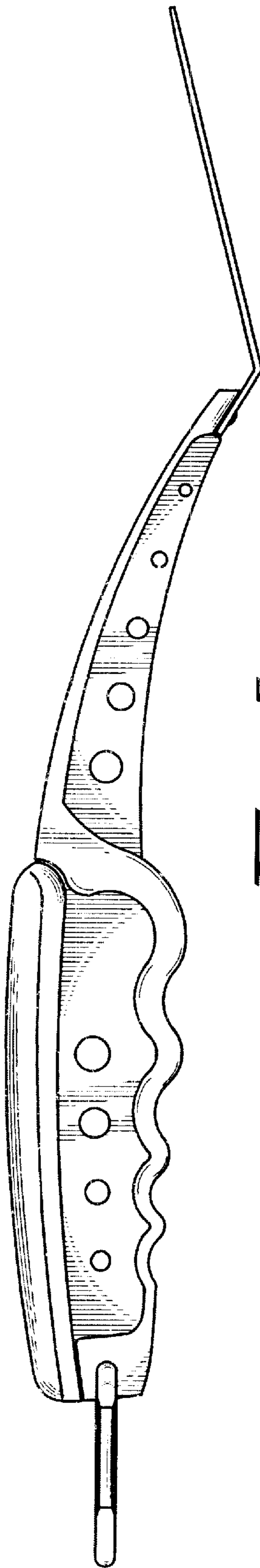


Fig. 5

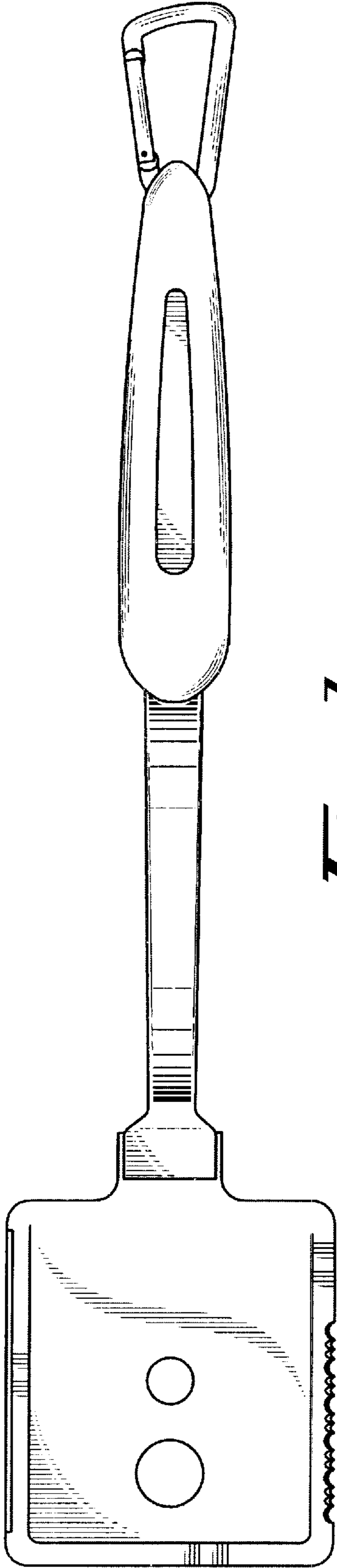


Fig. 7

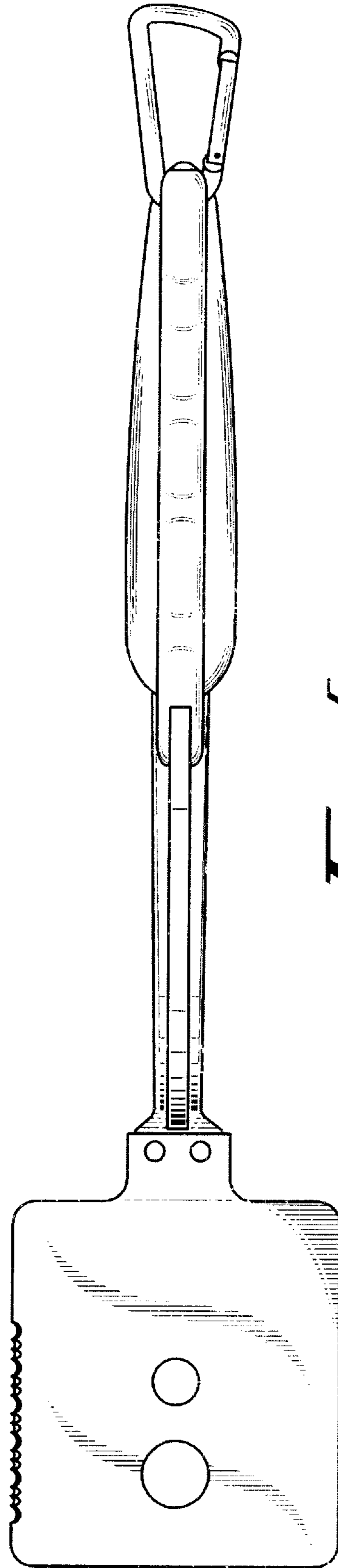


Fig. 6