



US00D477504S

(12) **United States Design Patent**
Rowe et al.

(10) **Patent No.:** **US D477,504 S**

(45) **Date of Patent:** **** Jul. 22, 2003**

(54) **UTENSIL WITH DIAMOND PATTERN HANDLE**

D364,783 S * 12/1995 Weber D7/686
5,934,721 A * 8/1999 Walde 294/3
D427,858 S * 7/2000 Zemel D7/692

(75) Inventors: **Mike Rowe**, Kettering, OH (US);
Richard Harris, Beaver Creek, OH (US);
Andrew Kahler, Fortson, GA (US);
Ryan Neal, Midland, GA (US);
Scott Dobias, Columbus, GA (US)

* cited by examiner

Primary Examiner—Terry A. Wallace
(74) *Attorney, Agent, or Firm*—James W. Kayden; Thomas, Kayden, Horstemeyer & Risley, LLP

(73) Assignee: **W. C. Bradley Company**, Columbus, GA (US)

(57) **CLAIM**

(**) Term: **14 Years**

The ornamental design of a utensil with diamond pattern handle, as shown and described.

(21) Appl. No.: **29/165,438**

DESCRIPTION

(22) Filed: **Aug. 8, 2002**

FIG. 1 is a perspective view showing our new utensil with diamond pattern handle;

(51) **LOC (7) Cl.** **07-06**

FIG. 2 is a right side elevational view thereof;

(52) **U.S. Cl.** **D7/686**

FIG. 3 is a left side elevational view thereof;

(58) **Field of Search** D7/681-697; 30/322, 30/323; 294/3, 7, 8, 8.5, 11, 99.1, 99.2, 118, 119; 16/110.1, 430, 431, 436

FIG. 4 is a front elevational view thereof;

FIG. 5 is a rear elevational view thereof;

FIG. 6 is a top plan view thereof; and,

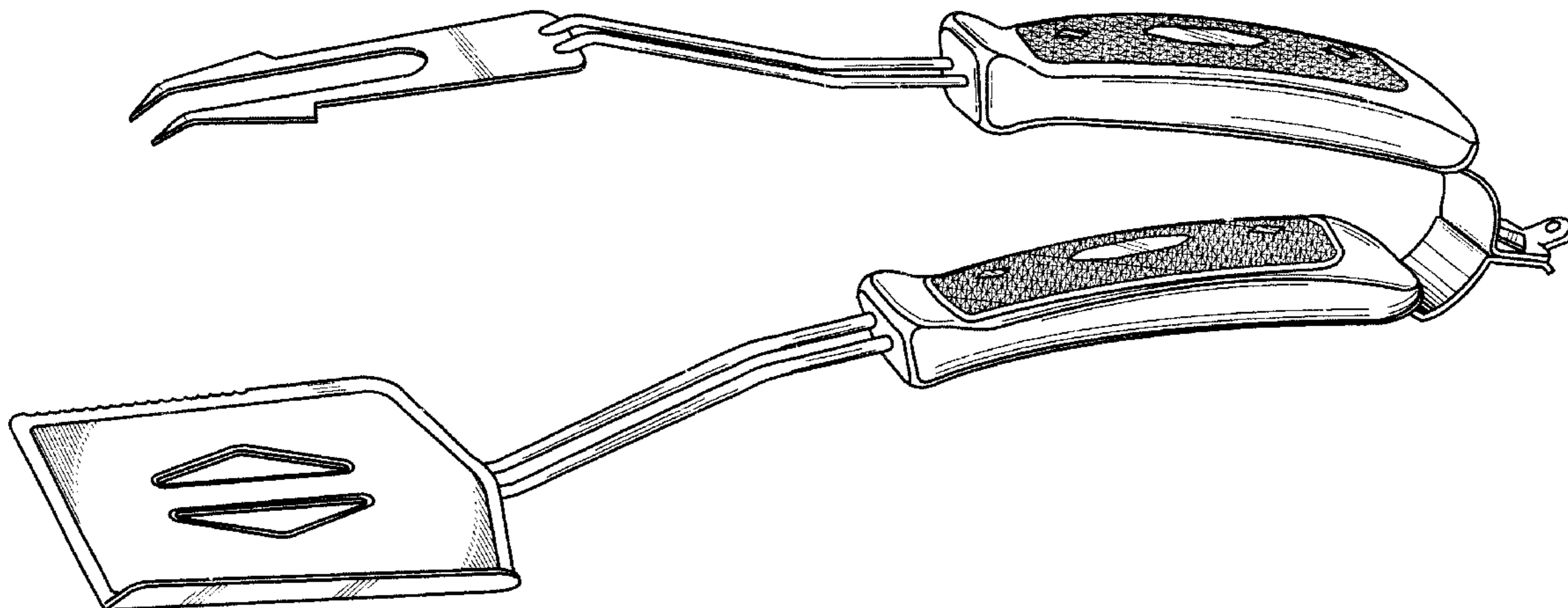
FIG. 7 is a bottom plan view thereof.

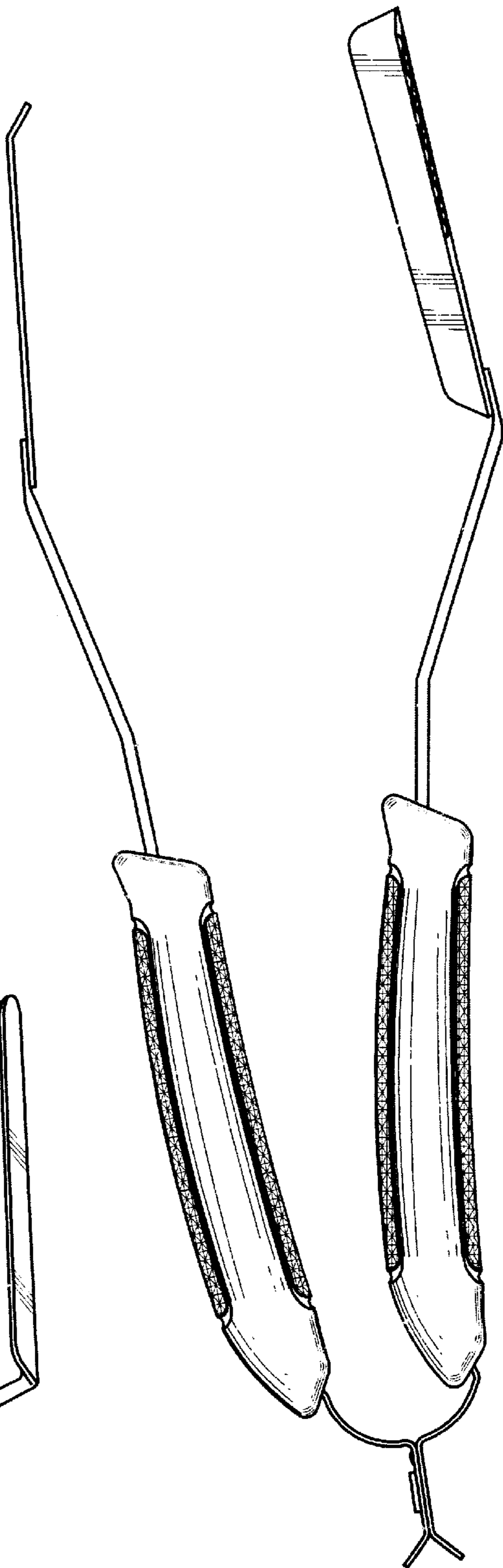
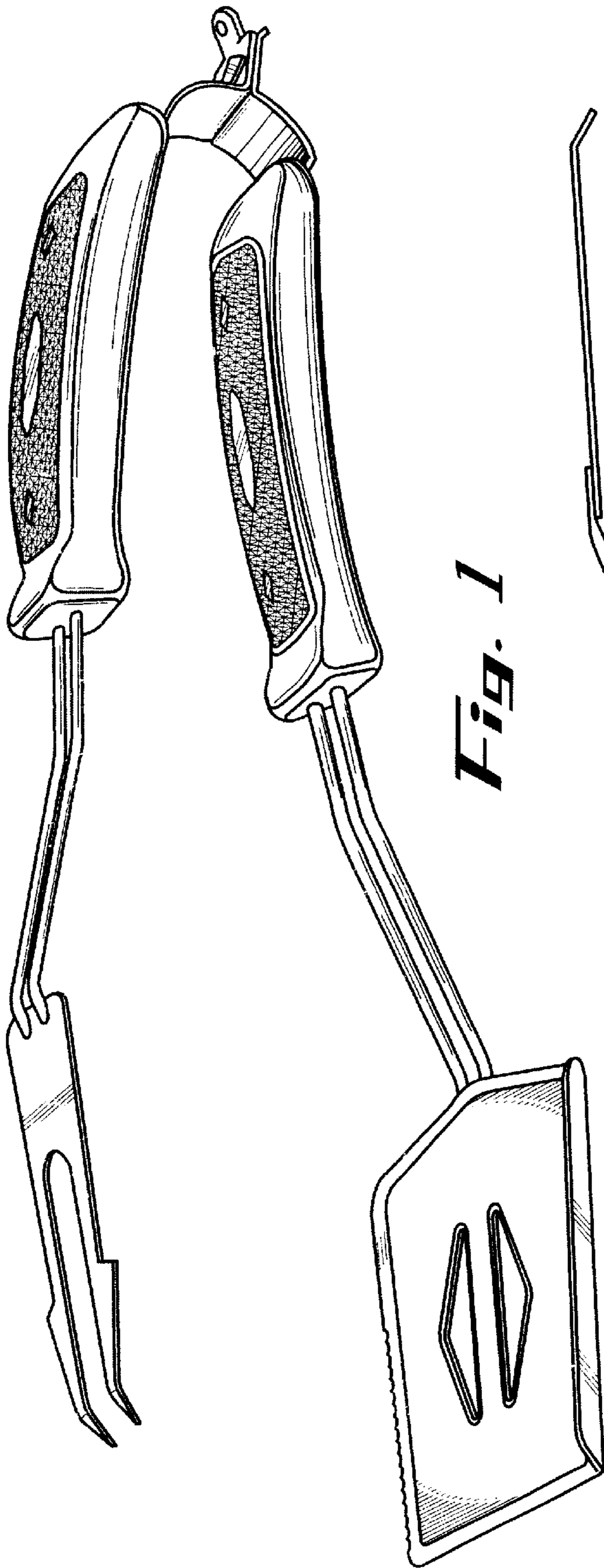
(56) **References Cited**

U.S. PATENT DOCUMENTS

D301,004 S * 5/1989 Somerset D7/696

1 Claim, 3 Drawing Sheets





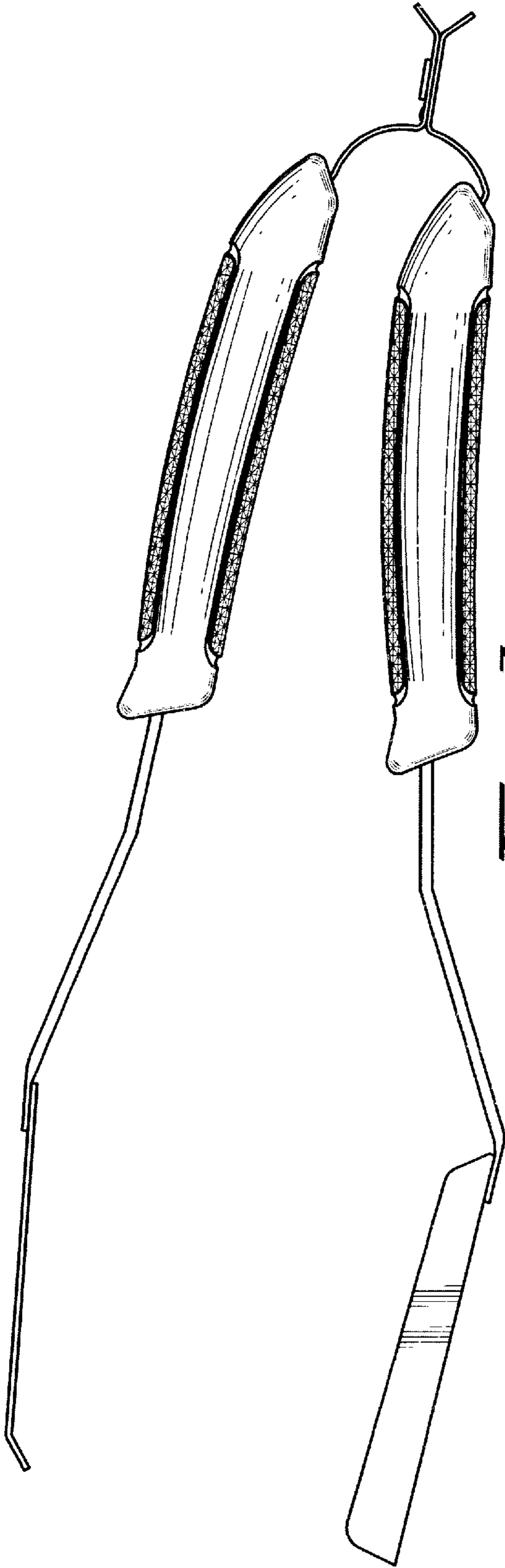


Fig. 3

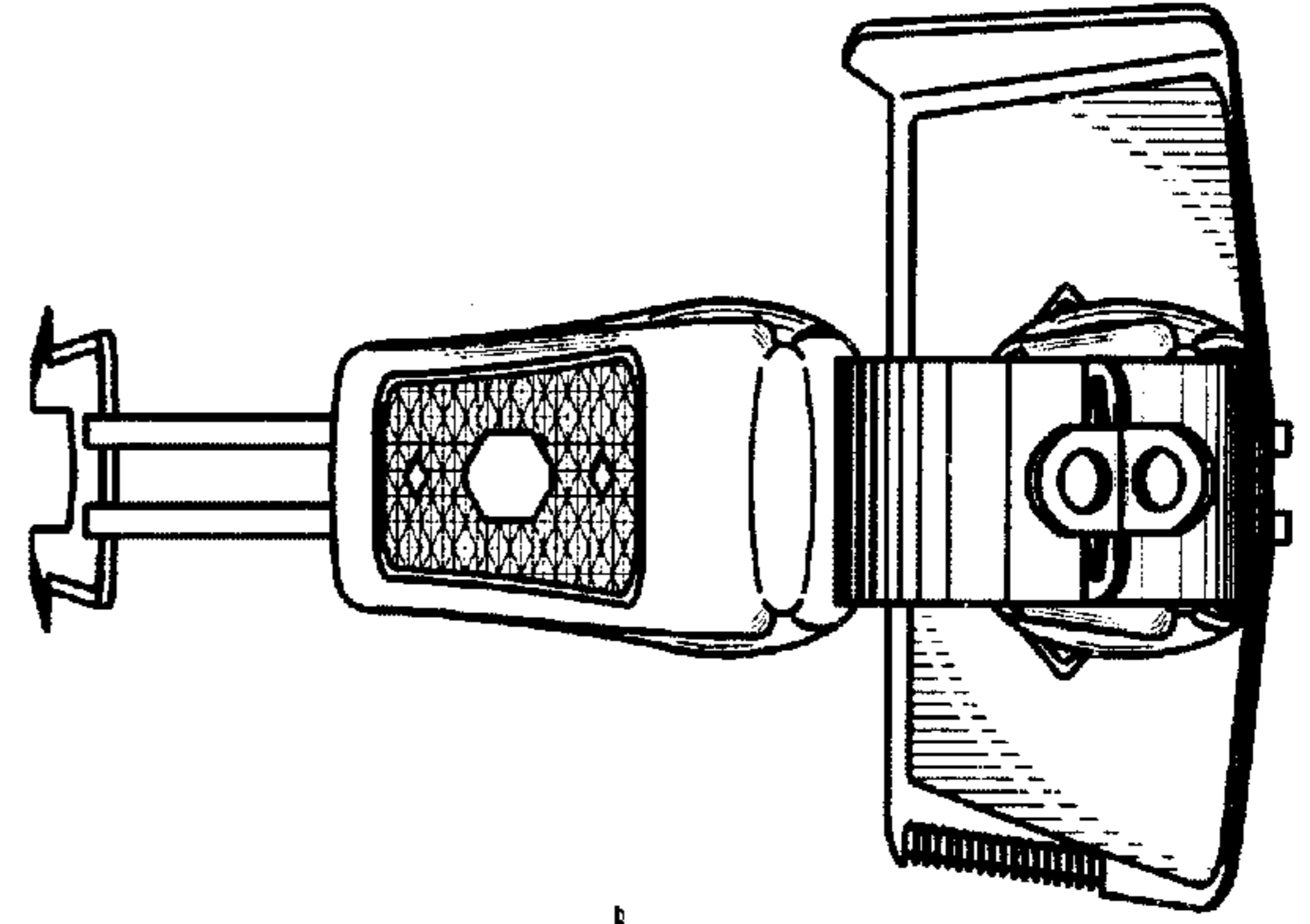


Fig. 5

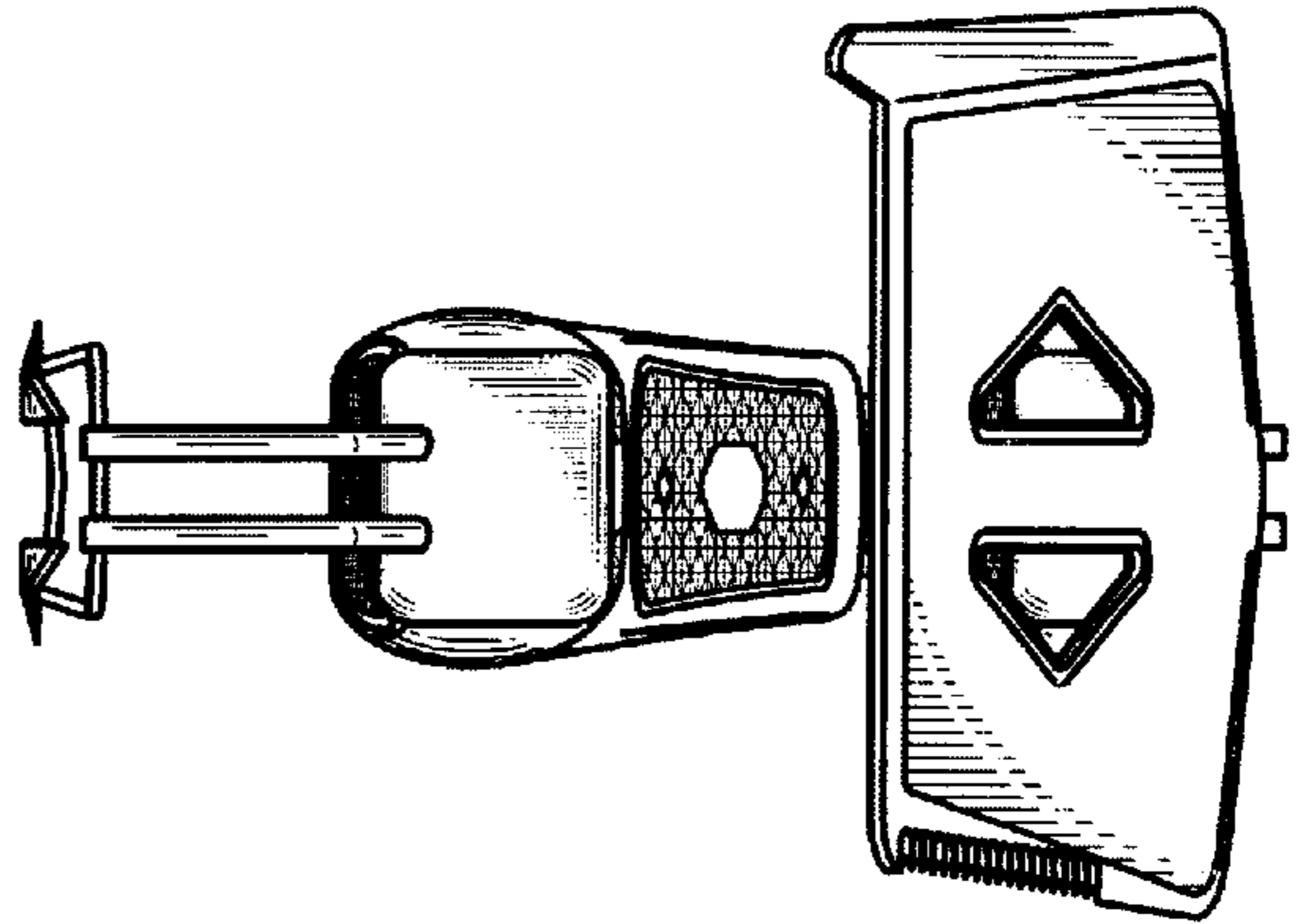


Fig. 4

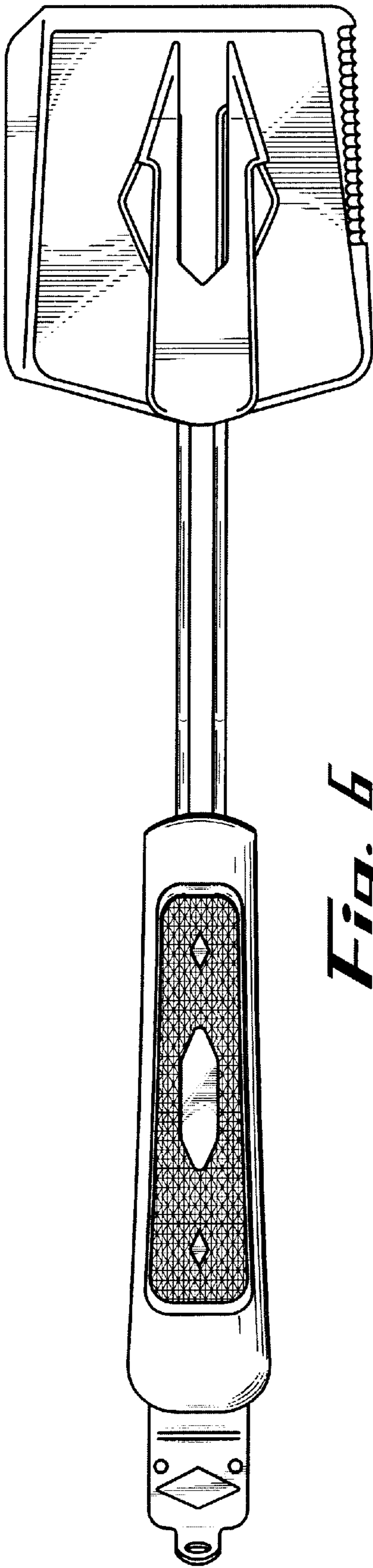


Fig. 6

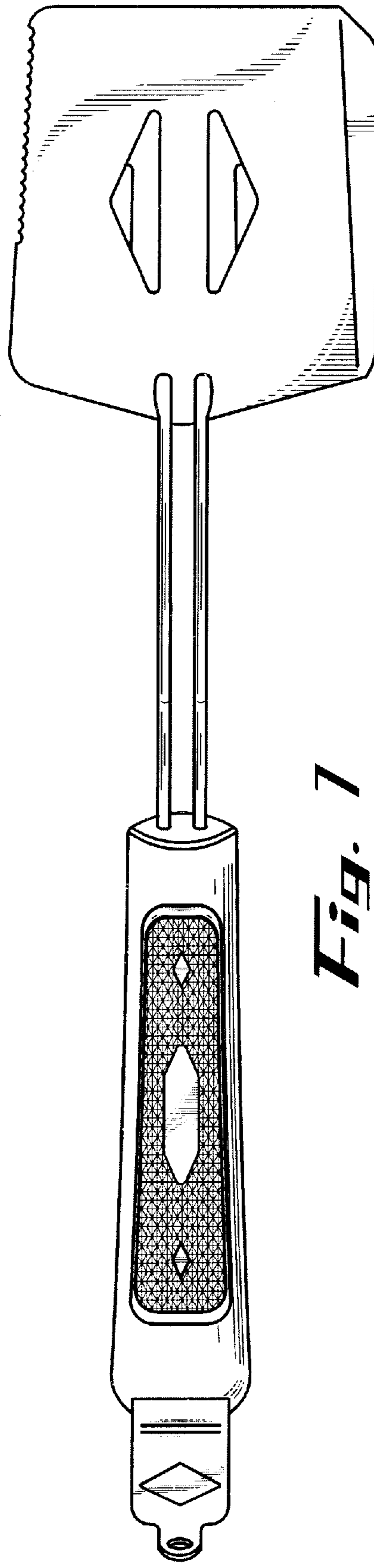


Fig. 7