



US00D477503S

(12) **United States Design Patent**
Wong

(10) **Patent No.:** **US D477,503 S**

(45) **Date of Patent:** **** Jul. 22, 2003**

(54) **CHEESE MILL**

(76) Inventor: **Yan Kwong Wong**, Unit 1016-17, 10th Floor, Metro Centre II, 21 Lam Hing Street, Kowloon Bay, Kowloon (HK)

(**) Term: **14 Years**

(21) Appl. No.: **29/163,044**

(22) Filed: **Jun. 26, 2002**

(51) **LOC (7) Cl.** **07-04**

(52) **U.S. Cl.** **D7/678**

(58) **Field of Search** D7/678, 679, 372-373, D7/381; 241/95, 168, 169, 169.1, 273.2

(56) **References Cited**

U.S. PATENT DOCUMENTS

913,026 A	*	2/1909	Meaker	222/457.5
2,389,385 A	*	11/1945	Owen	241/168
D245,750 S	*	9/1977	Maclean	D7/591
4,082,230 A	*	4/1978	Bounds	241/92
D266,824 S	*	11/1982	Harris	D7/665
D333,762 S	*	3/1993	Herren	D7/678

* cited by examiner

Primary Examiner—Terry A. Wallace
(74) *Attorney, Agent, or Firm*—Salter & Michaelson

(57) **CLAIM**

The ornamental design for a cheese mill, as shown and described.

DESCRIPTION

FIG. 1 is a perspective view of a cheese mill showing our new design;

FIG. 2 is a top plan view thereof;

FIG. 3 is a bottom plan view thereof;

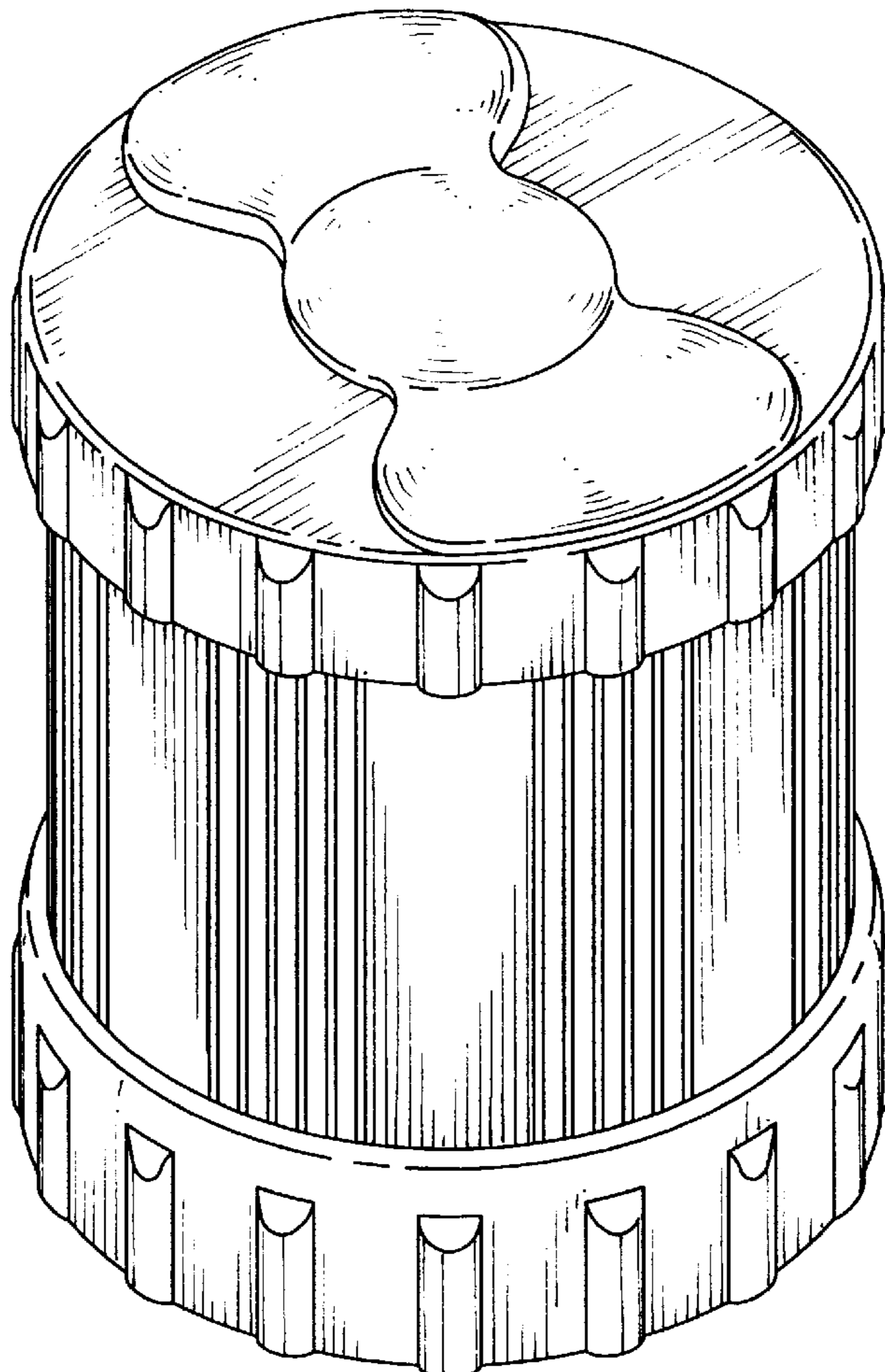
FIG. 4 is a left side elevational view thereof the right side elevational view being a mirror image thereof;

FIG. 5 is a front elevational view thereof, the rear elevational view being a mirror image thereof; and,

FIG. 6 is an exploded view thereof showing the top removed.

The portions shown in broken lines are included for illustrative purposes only and form no part of the claimed design.

1 Claim, 5 Drawing Sheets



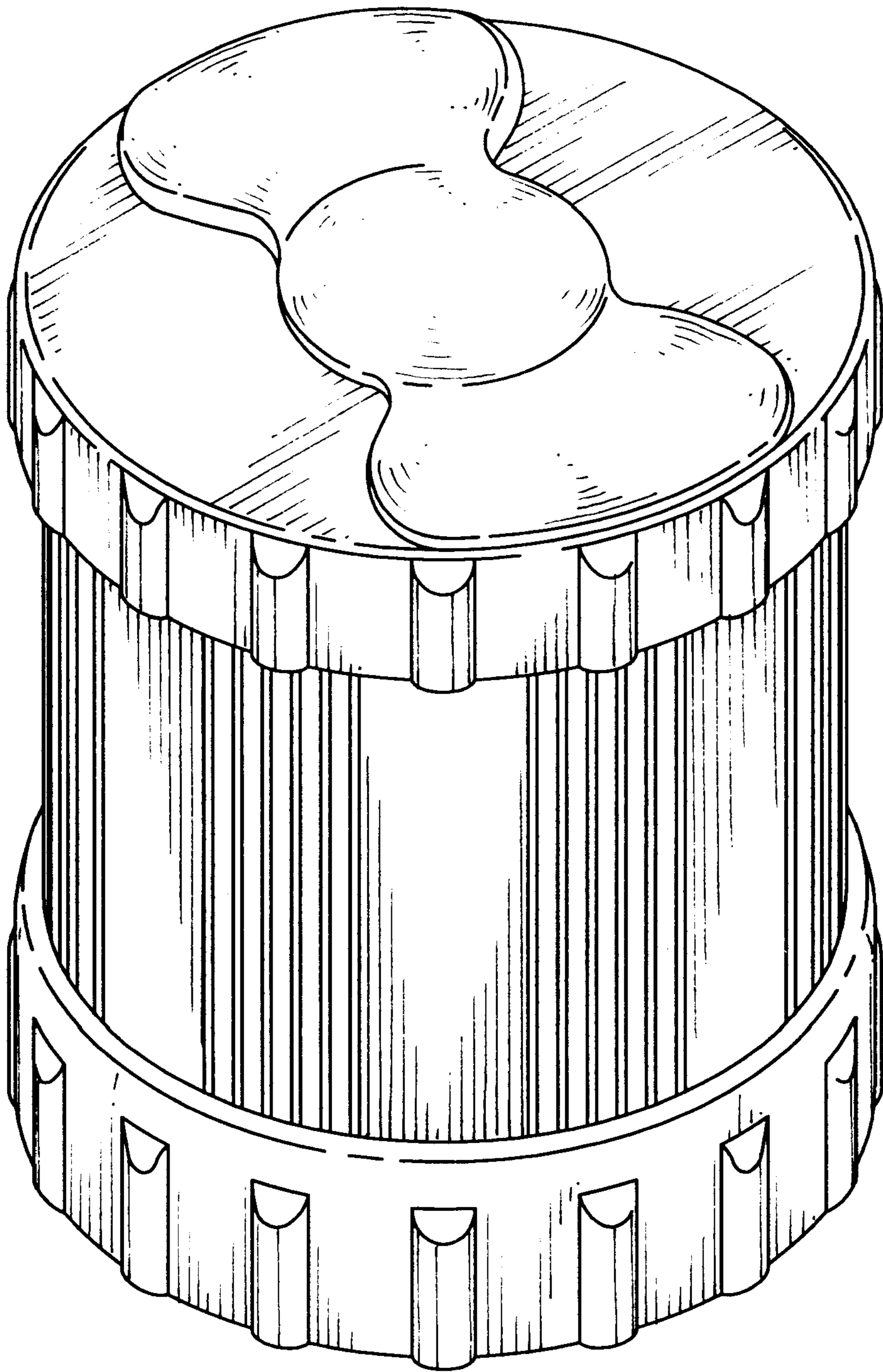


FIG. 1

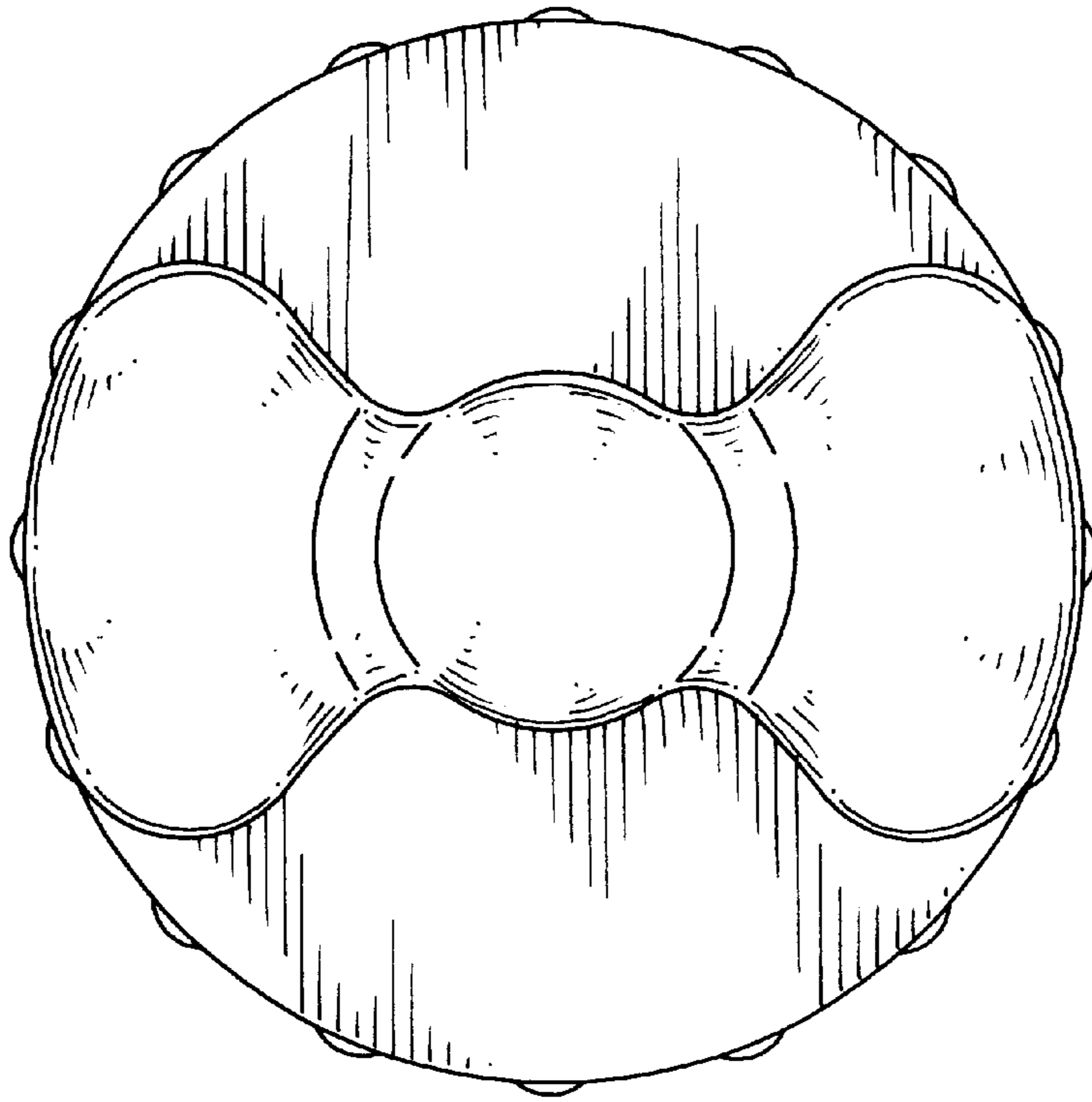


FIG. 2

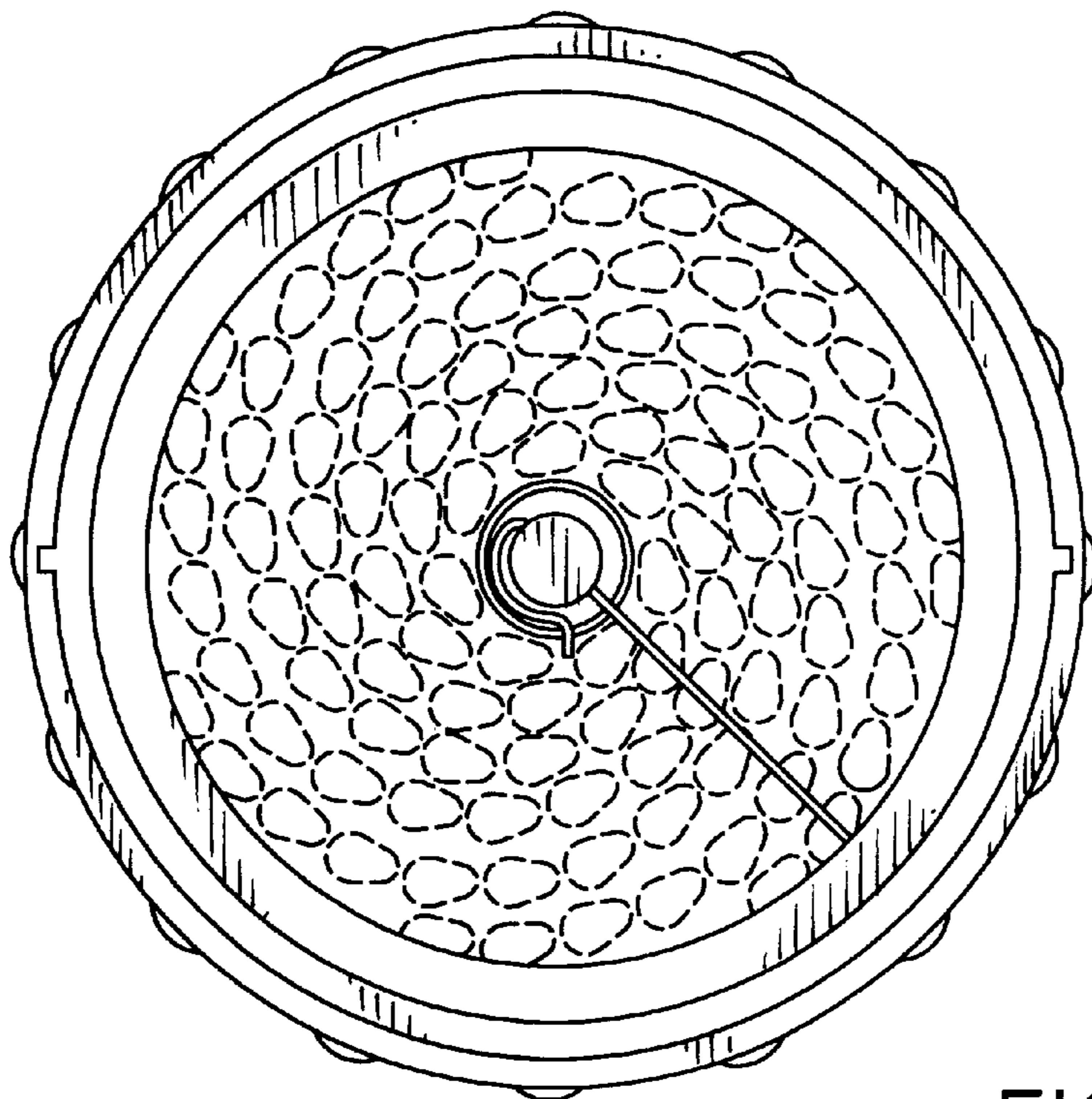


FIG. 3

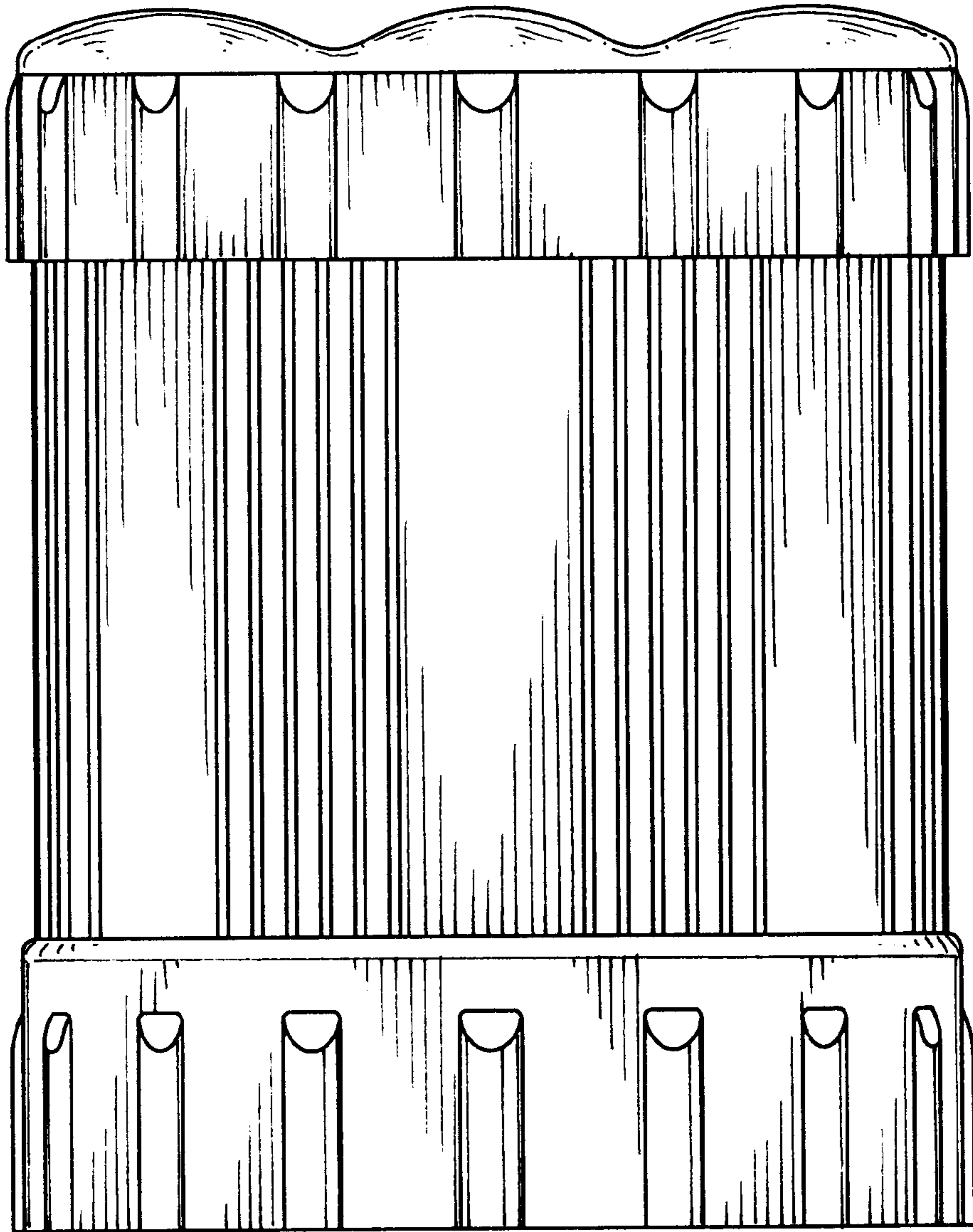


FIG. 4

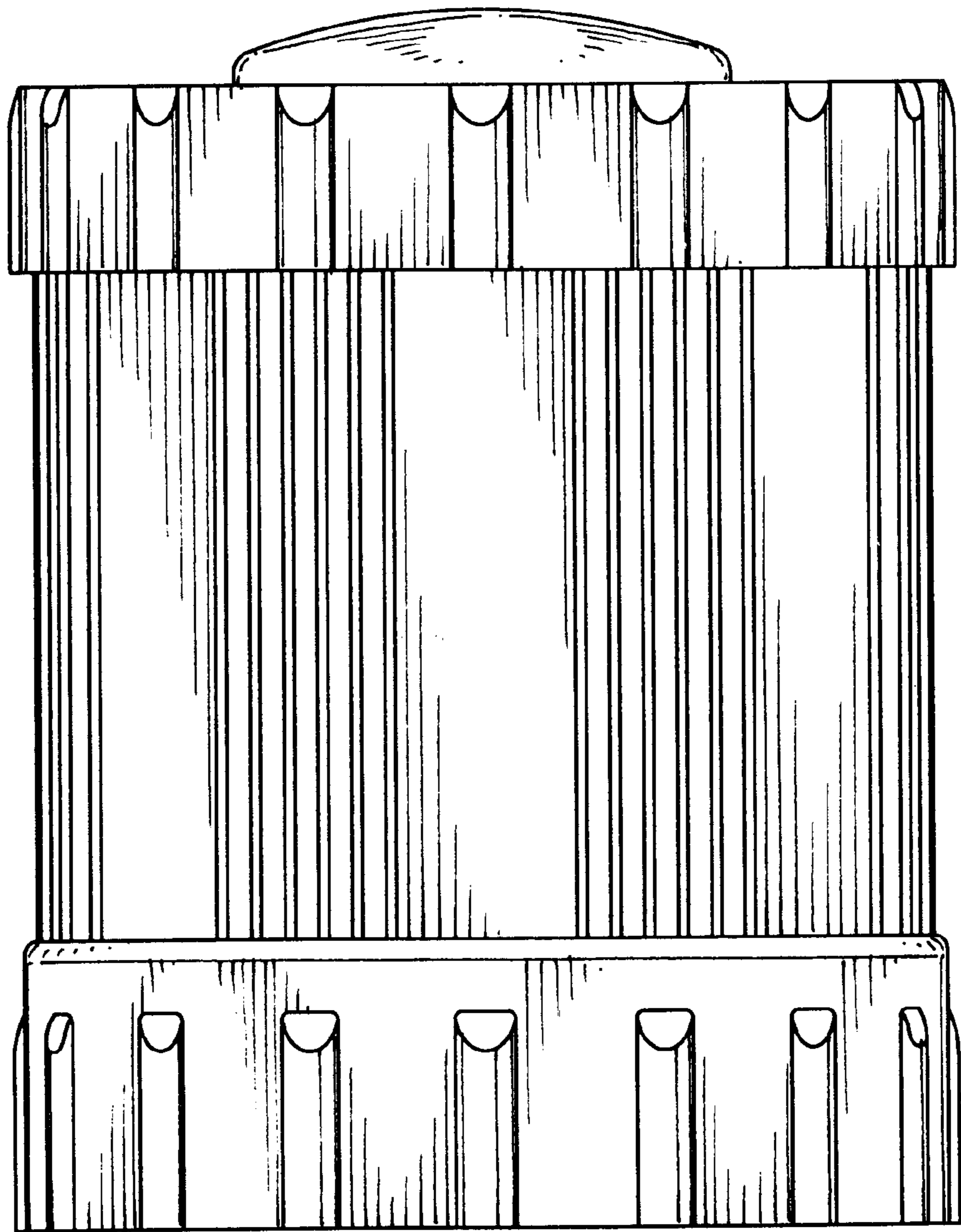


FIG. 5

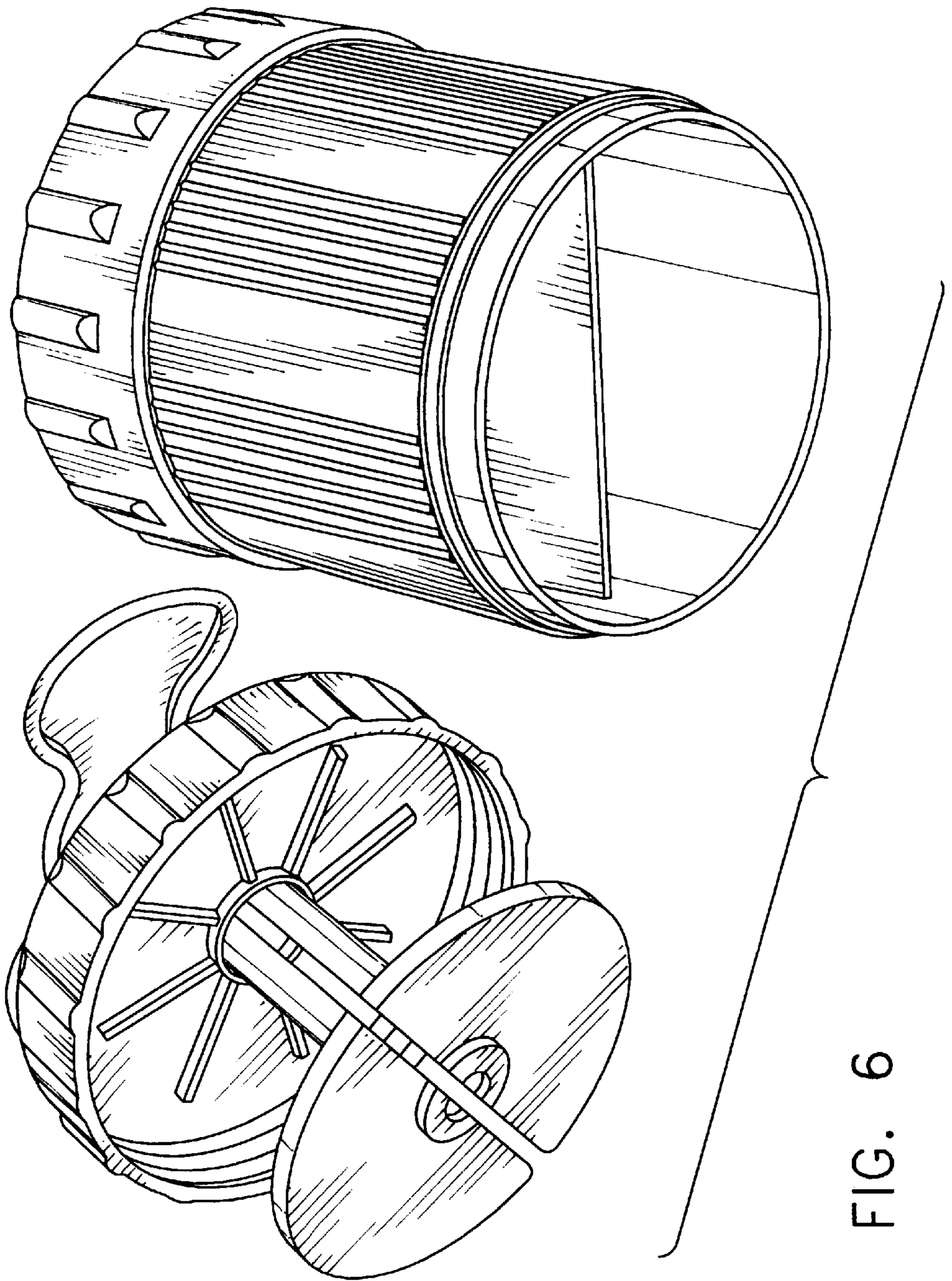


FIG. 6