



US00D477501S

(12) **United States Design Patent**
Coleman et al.

(10) **Patent No.:** **US D477,501 S**
(45) **Date of Patent:** **** Jul. 22, 2003**

(54) **COMBINATION THERMAL CHEST AND BARBECUE GRILL**

(75) Inventors: **Brian Coleman**, Columbus, GA (US);
Devin Moore, Decatur, GA (US); **Phil Holsinger**, Chicago, IL (US)

(73) Assignee: **W. C. Bradley Company**, Columbus, GA (US)

(**) Term: **14 Years**

(21) Appl. No.: **29/165,466**

(22) Filed: **Aug. 9, 2002**

(51) **LOC (7) Cl.** **07-01**

(52) **U.S. Cl.** **D7/605; D7/334**

(58) **Field of Search** D7/605-608, 332,
D7/334; D3/273, 274; 62/371, 372, 457.1-457.7;
126/25 R, 25 A, 25 AA, 37 R, 38, 41 R,
8, 9 R, 276, 268; 220/592.2, 592.24, 592.25,
915.1, 915.2; 280/43.1, 43.24, 47.26, 47.34,
645, 651, 652

(56) **References Cited**

U.S. PATENT DOCUMENTS

5,259,215 A * 11/1993 Rocca 62/371

5,373,708 A * 12/1994 Dumoulin, Jr. 62/457.7
D369,695 S * 5/1996 Imotani D7/605
D404,963 S * 2/1999 Schlosser et al. D7/334
D462,564 S * 9/2002 Brake et al. D7/334

* cited by examiner

Primary Examiner—Terry A. Wallace

(74) *Attorney, Agent, or Firm*—James W. Kayden; Thomas, Kayden, Horstemeyer & Risley, LLP

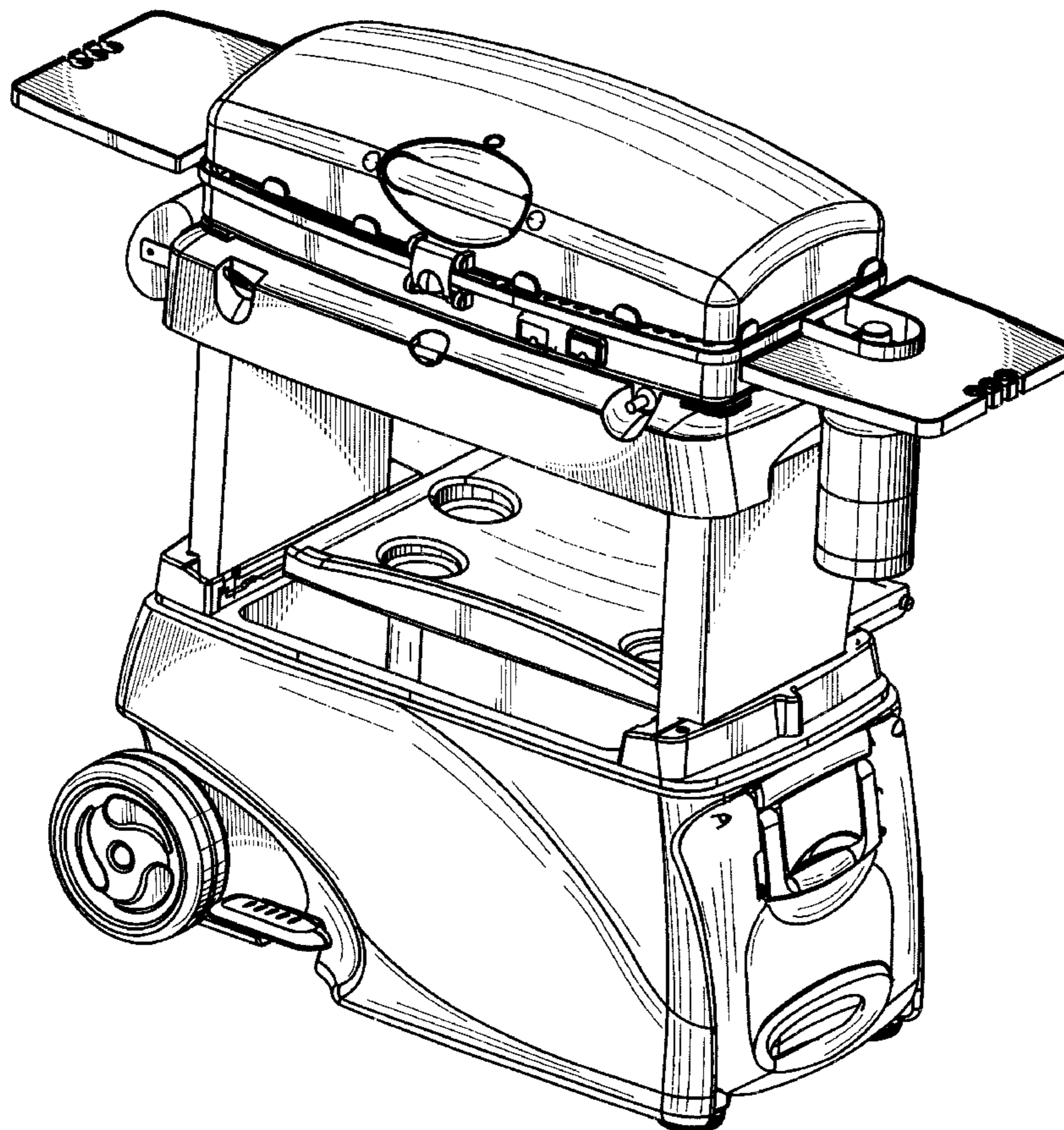
(57) **CLAIM**

The ornamental design of a combination thermal chest and barbecue grill, as shown and described.

DESCRIPTION

FIG. 1 is a perspective view showing our new combination thermal chest and barbecue grill;
FIG. 2 is a left elevational view thereof;
FIG. 3 is a right elevational view thereof;
FIG. 4 is a front elevational view thereof;
FIG. 5 is a rear elevational view thereof;
FIG. 6 is a top plan view thereof. The bottom plan view has not been shown as it forms no part of the design; and,
FIG. 7 is a perspective view thereof shown in an open position.

1 Claim, 6 Drawing Sheets



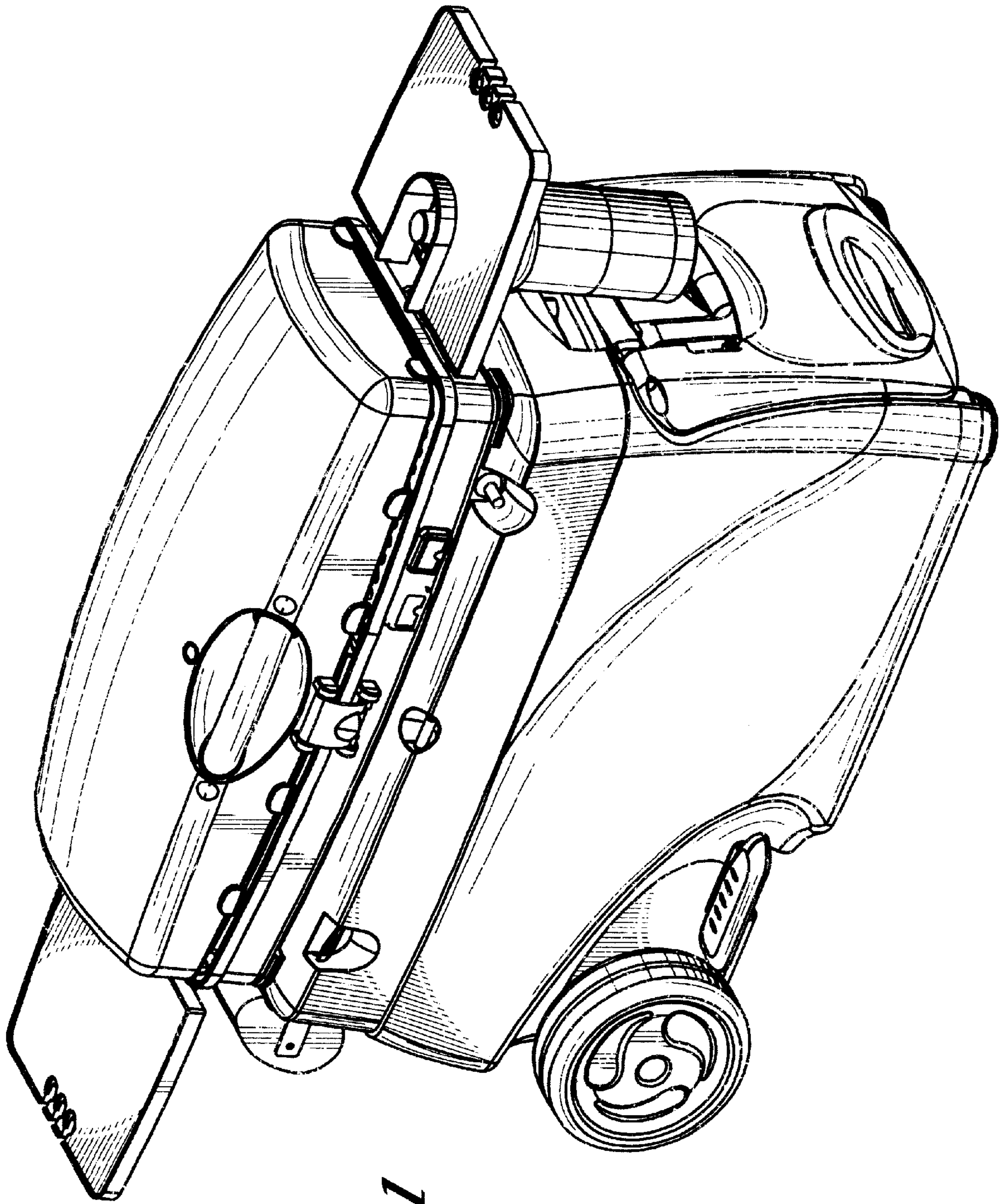


Fig. 1

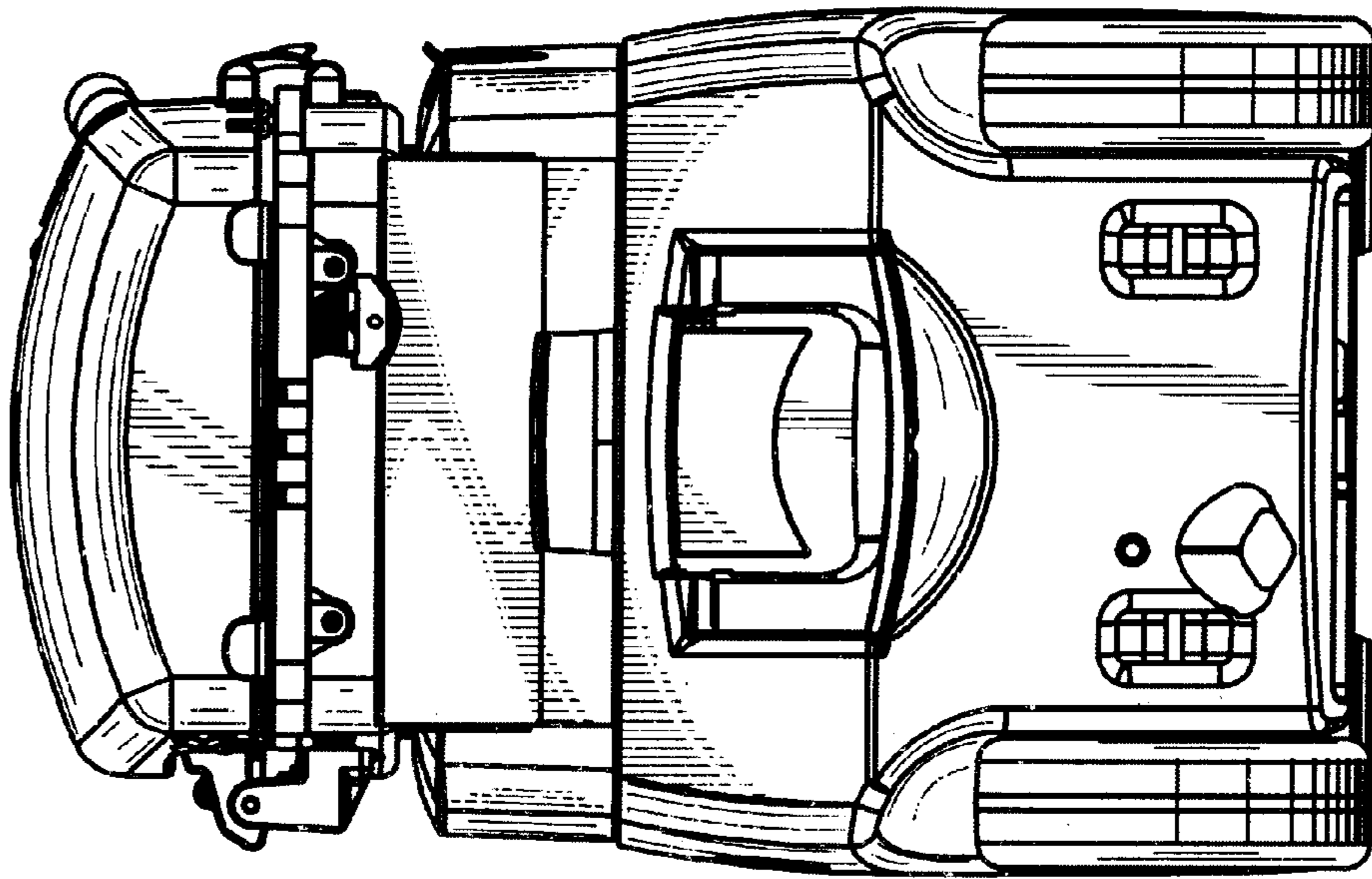


Fig. 1

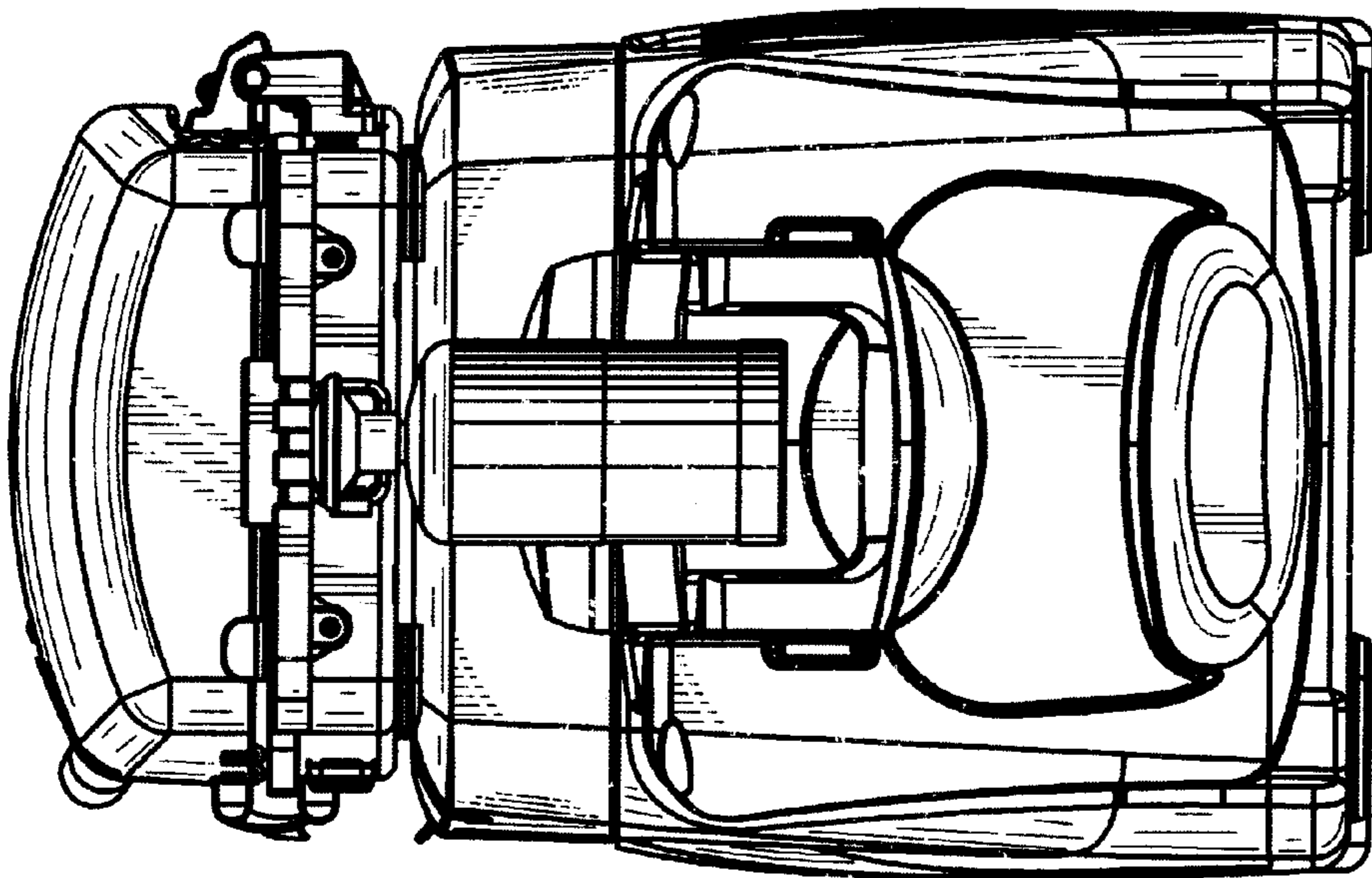


Fig. 2

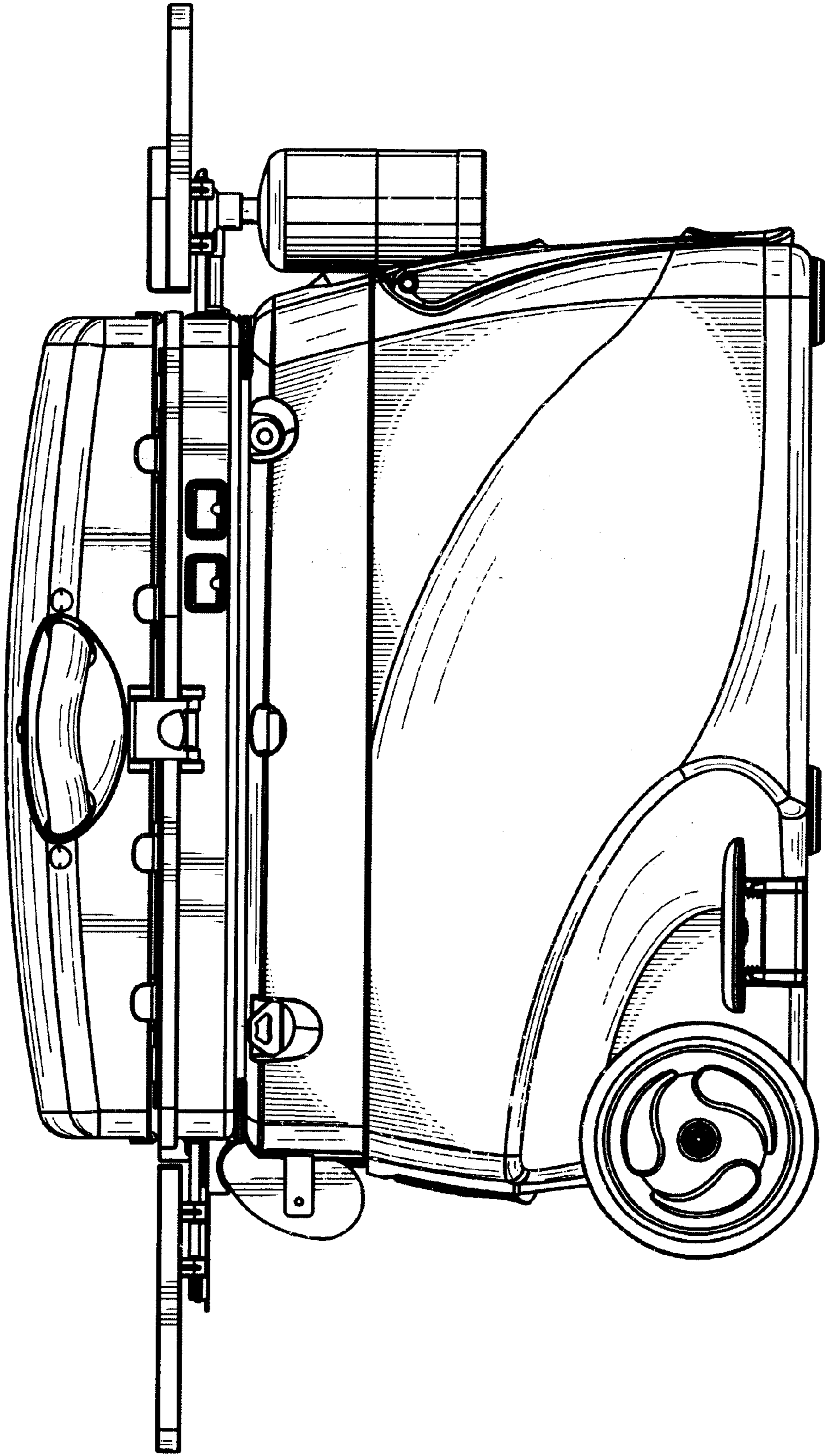


Fig. 4

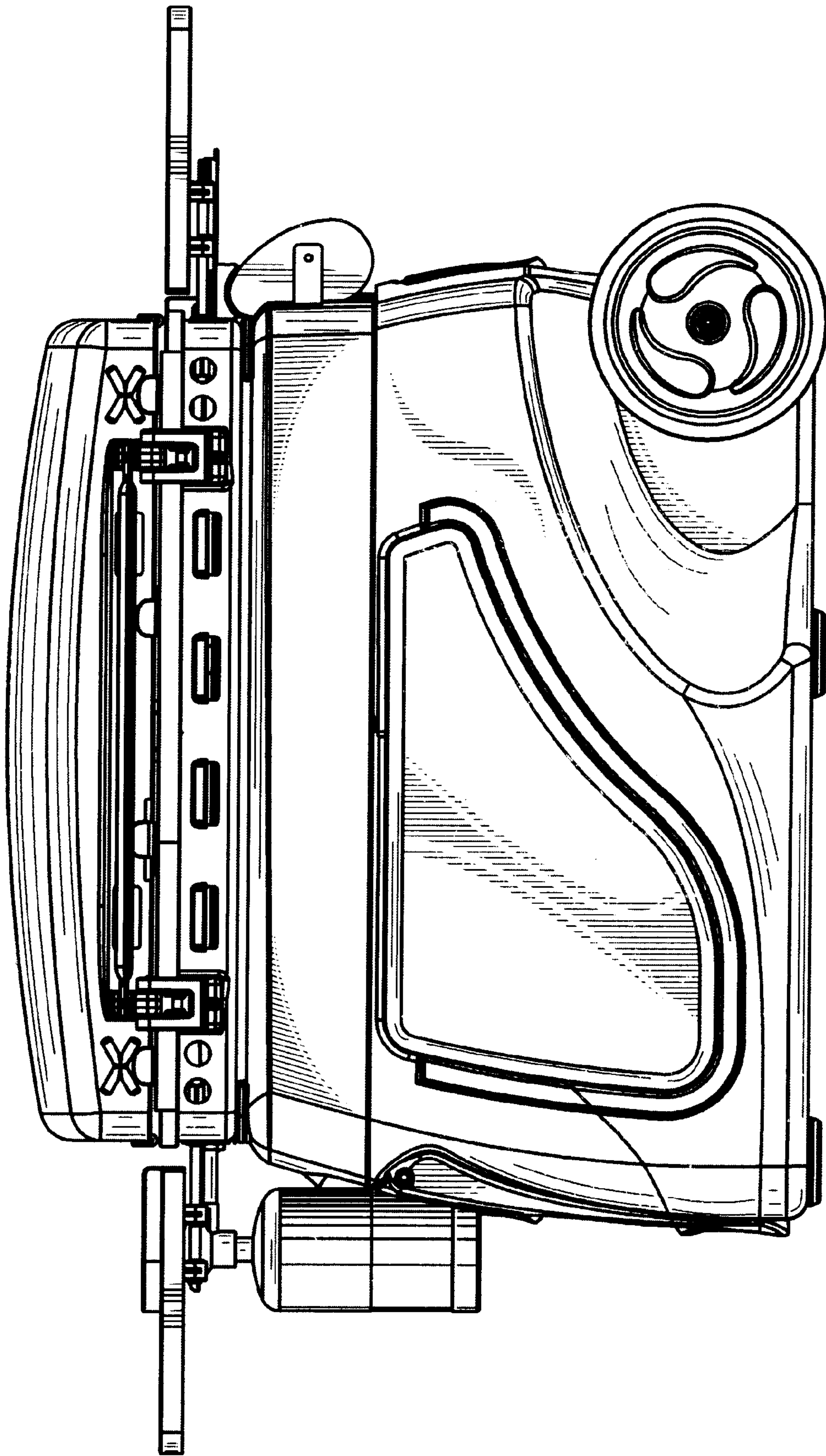


Fig. 5

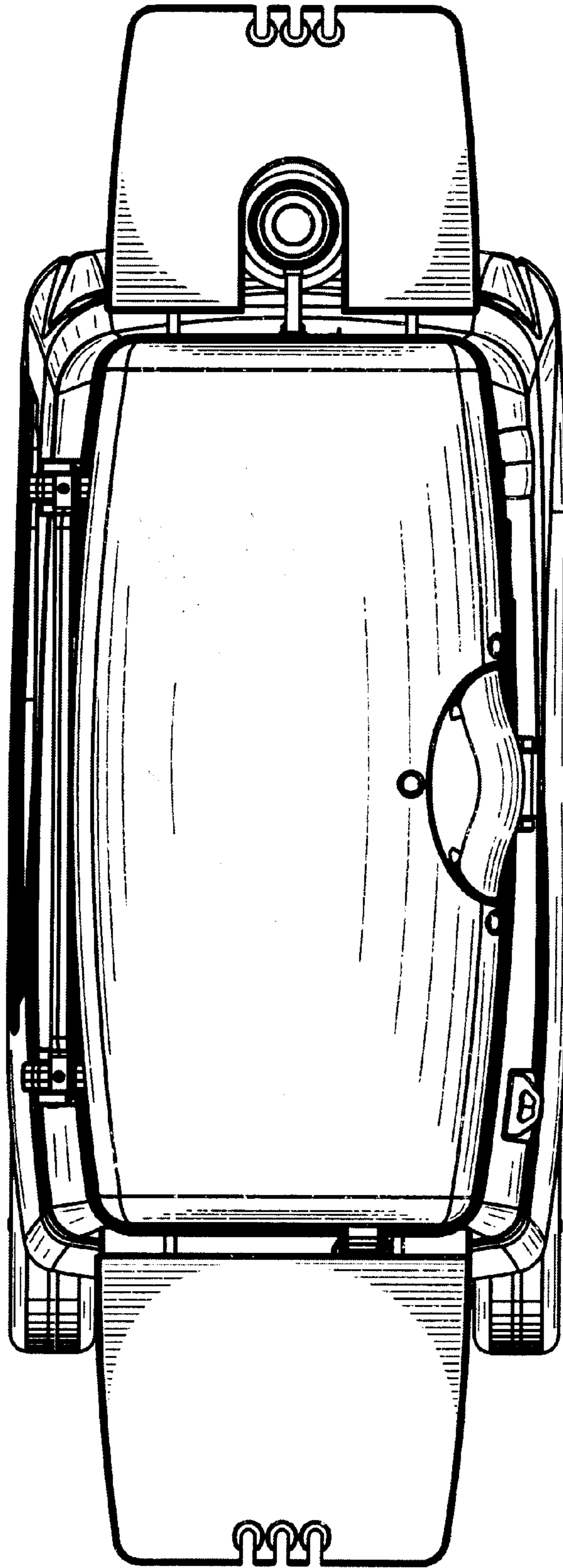


Fig. 6

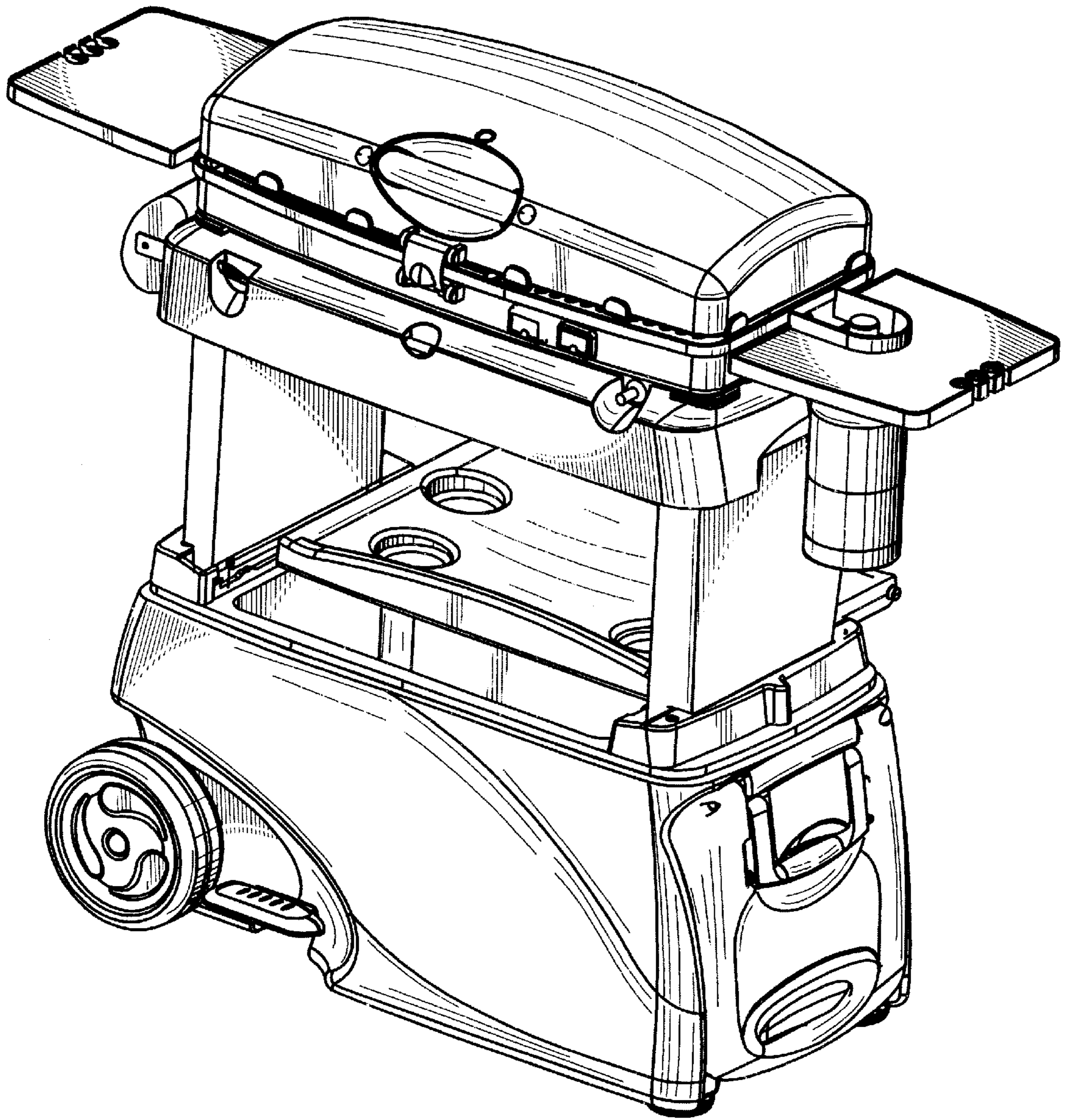


Fig. 1