



US00D477495S

(12) **United States Design Patent**
To

(10) **Patent No.:** **US D477,495 S**

(45) **Date of Patent:** **** Jul. 22, 2003**

(54) **TOASTER**

(75) **Inventor:** **Kin Man Ernest To, Hong Kong (CN)**

(73) **Assignee:** **Koninklijke Philips Electronics N.V., Eindhoven (NL)**

(**) **Term:** **14 Years**

(21) **Appl. No.:** **29/165,891**

(22) **Filed:** **Aug. 19, 2002**

(30) **Foreign Application Priority Data**

Feb. 28, 2002 (WO) DMA/005 626

(51) **LOC (7) Cl.** **07-02**

(52) **U.S. Cl.** **D7/330**

(58) **Field of Search** D7/323, 328-330,
D7/390, 411; 99/372, 385-402

(56) **References Cited**

U.S. PATENT DOCUMENTS

D150,134 S * 7/1948 Guild D7/330

D347,545 S * 6/1994 Hoare et al. D7/330
D396,165 S * 7/1998 Pena Angarita D7/330
D469,297 S * 1/2003 Bouhuys et al. D7/330

FOREIGN PATENT DOCUMENTS

GB 3006082 * 8/2002

* cited by examiner

Primary Examiner—Caron D. Veynar

(74) *Attorney, Agent, or Firm*—Ernestine C. Bartlett

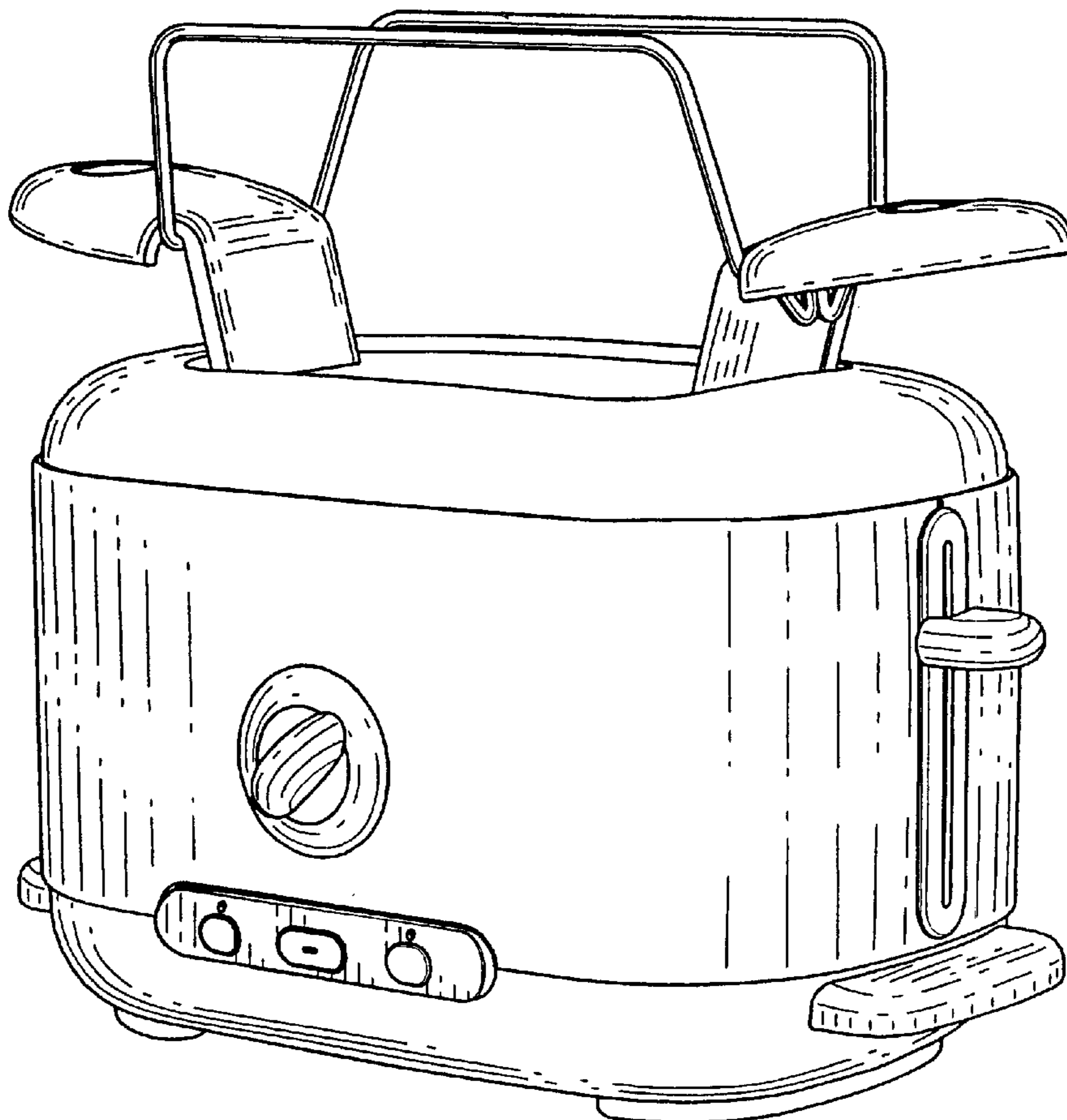
(57) **CLAIM**

The ornamental design for a toaster, as shown.

DESCRIPTION

FIG. 1 is a perspective view showing my design;
FIG. 2 is a front elevational view thereof;
FIG. 3 is a rear elevational view thereof;
FIG. 4 is a left side elevational view thereof;
FIG. 5 is a right side elevational view thereof;
FIG. 6 is a top plan view thereof; and,
FIG. 7 is a bottom plan view thereof.

1 Claim, 4 Drawing Sheets



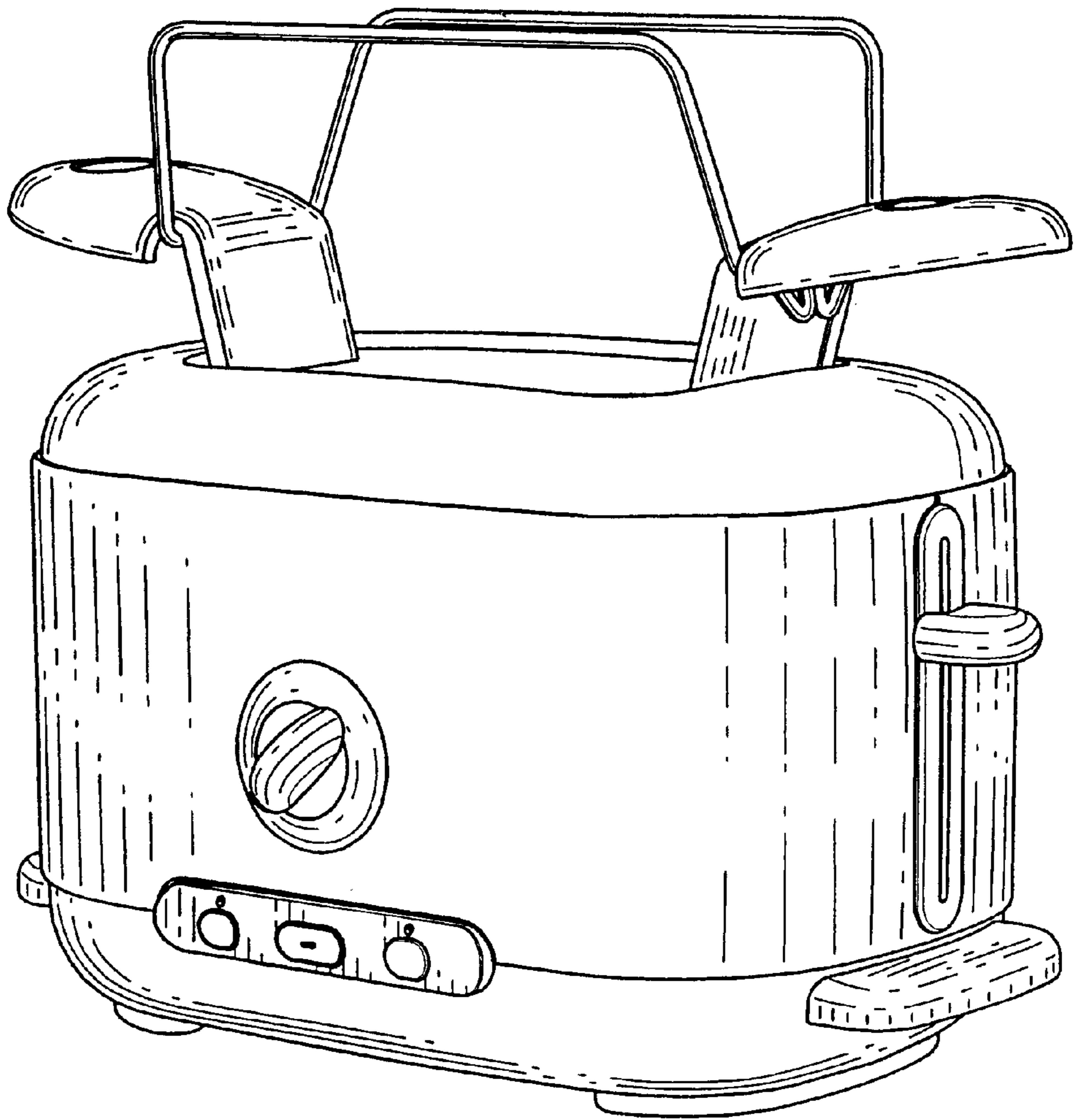


FIG. 1

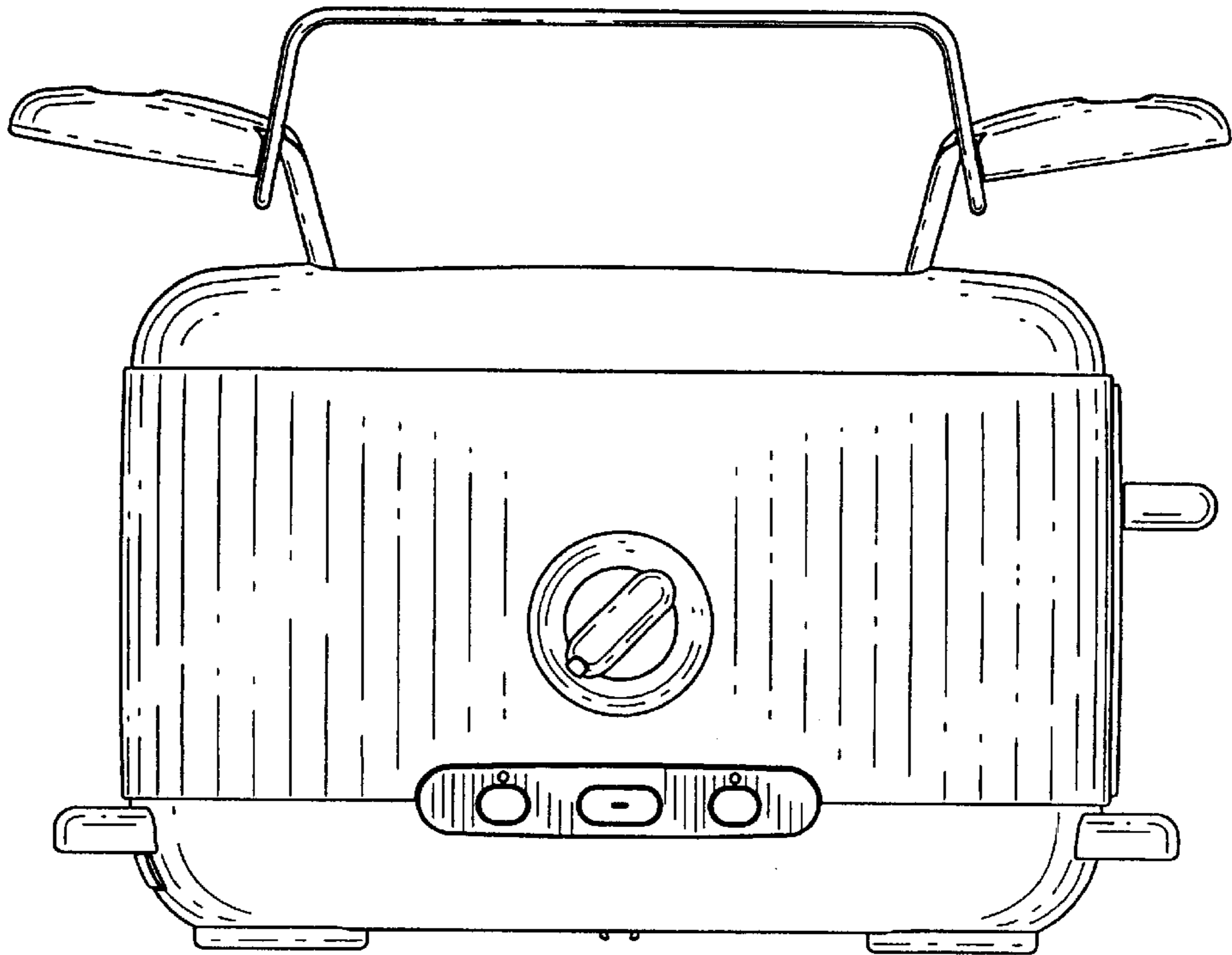


FIG. 2

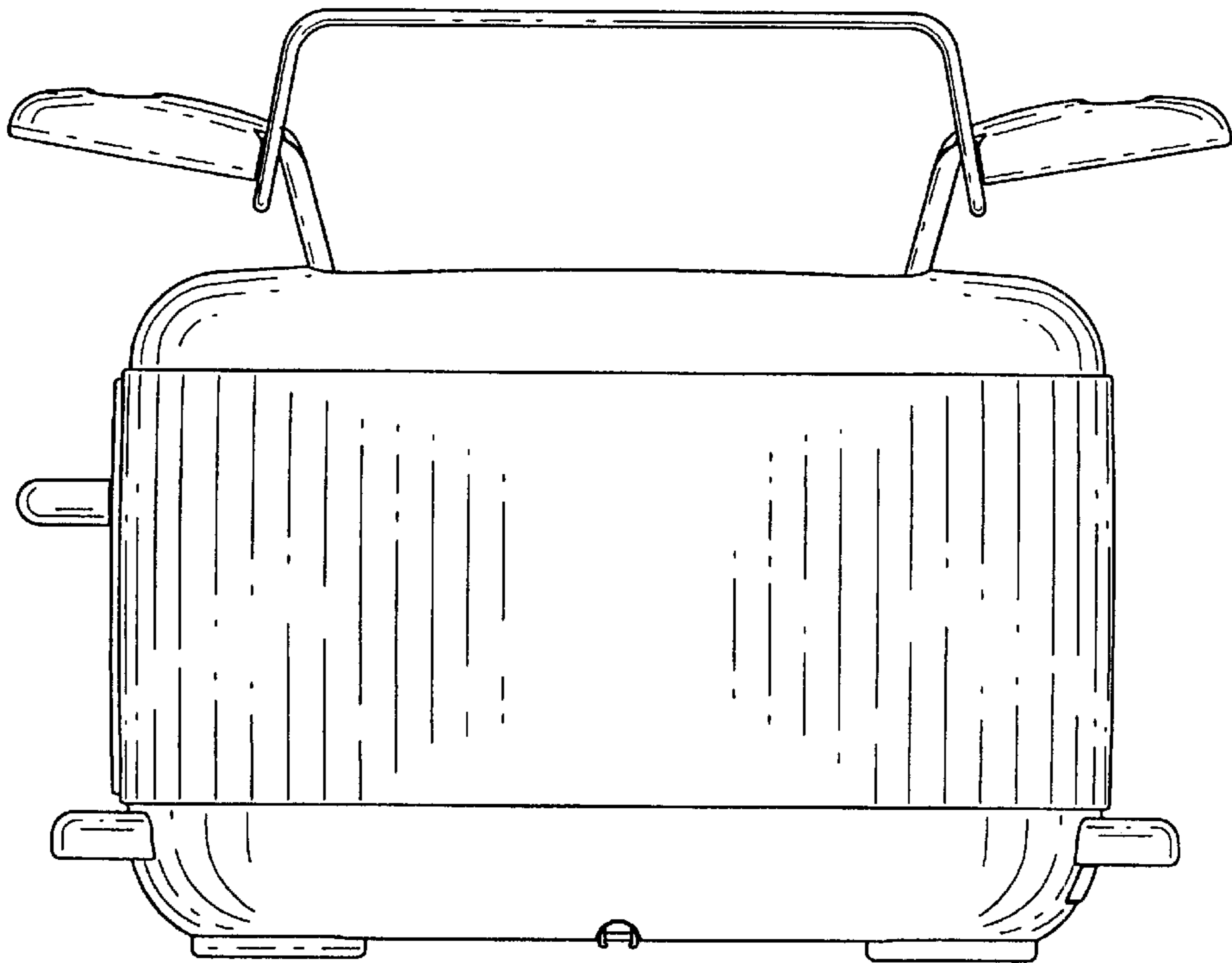


FIG. 3

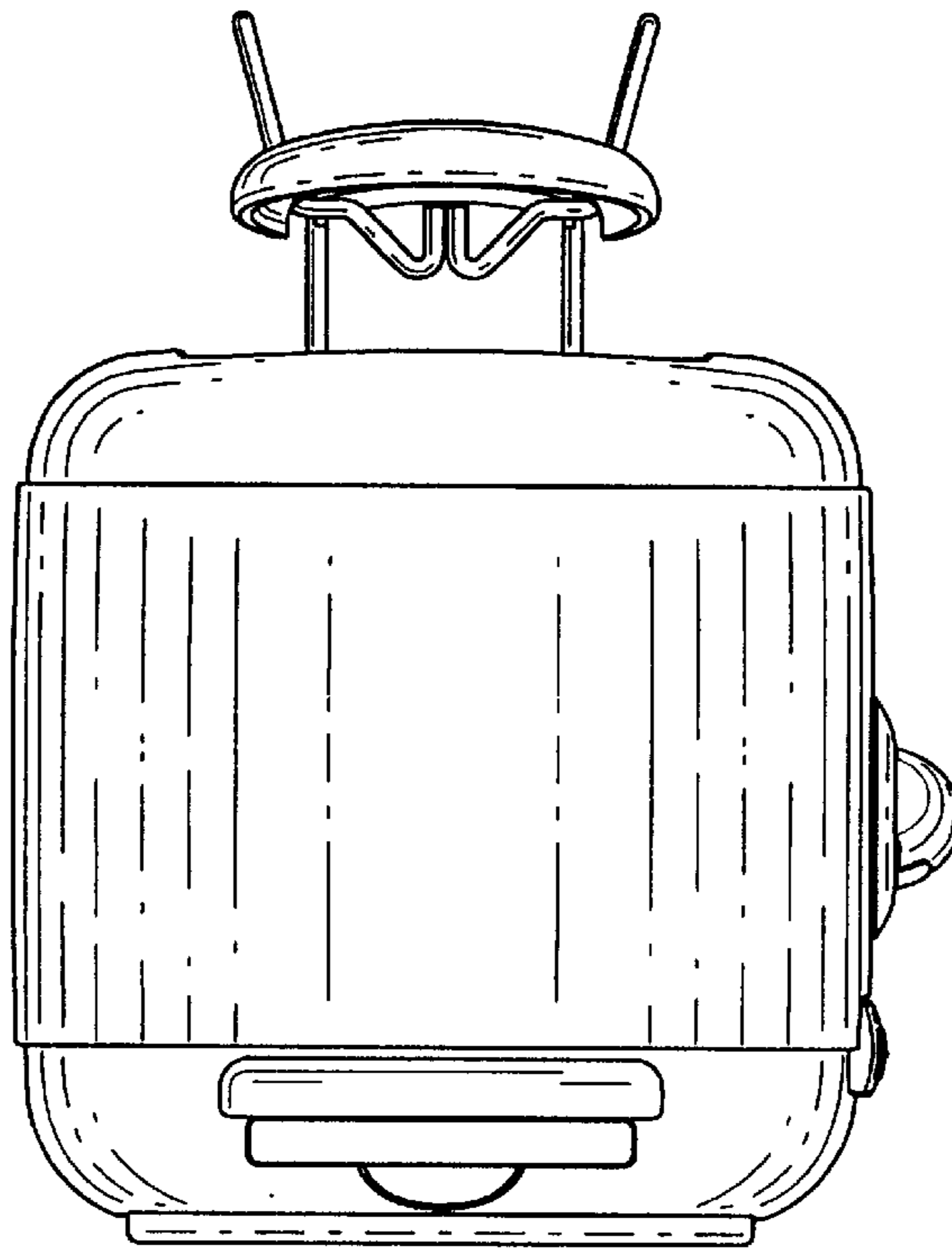


FIG. 4

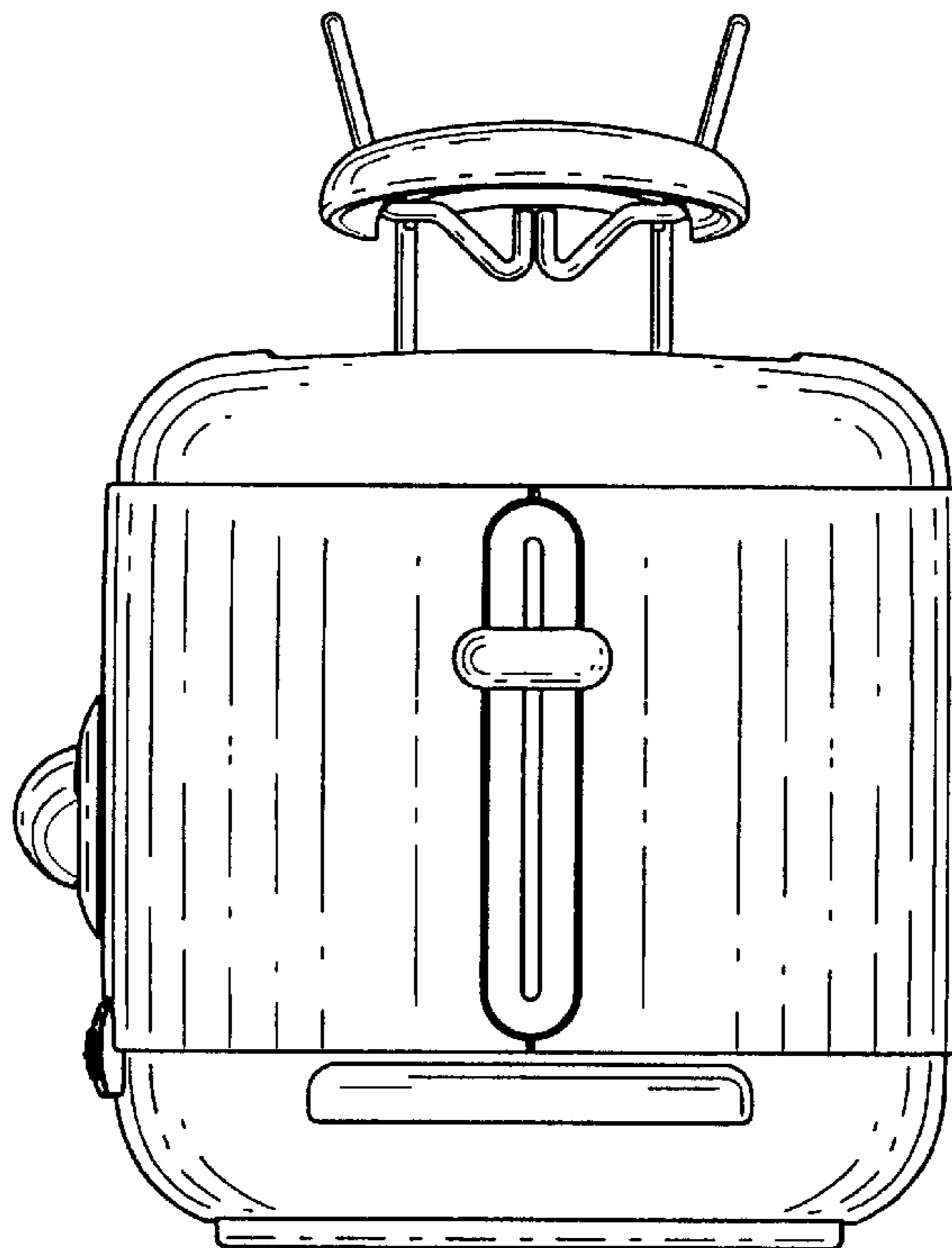


FIG. 5

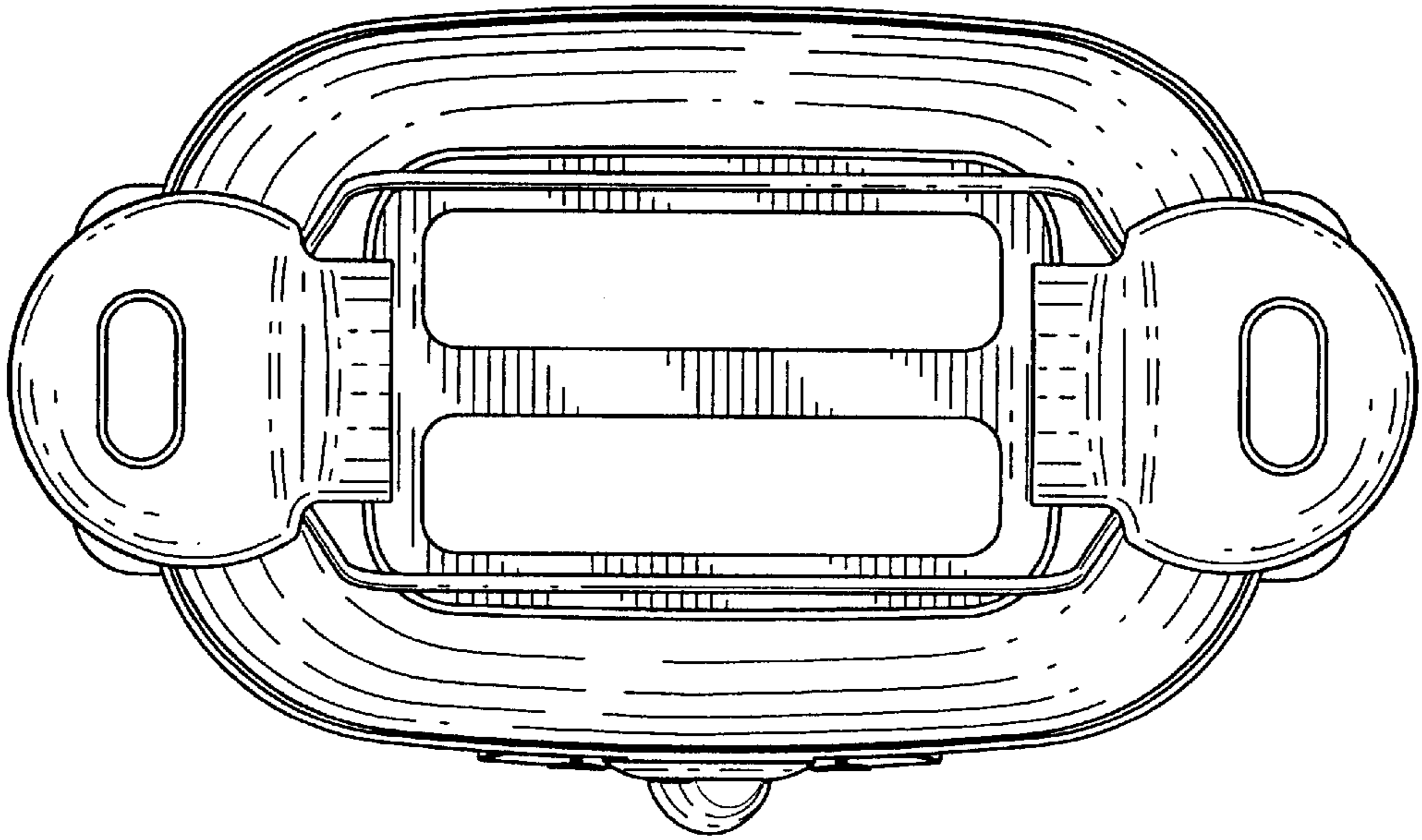


FIG. 6

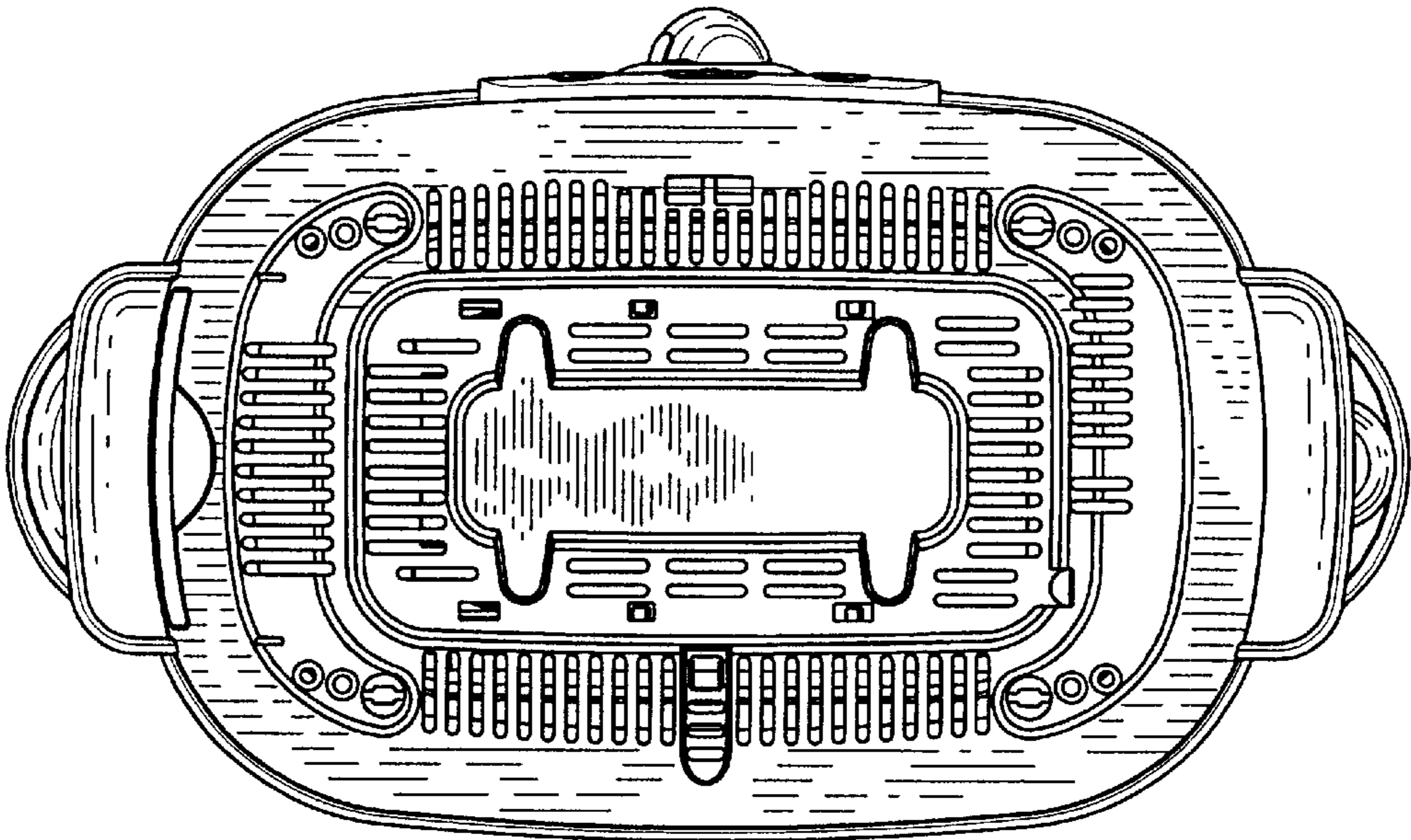


FIG. 7