



US00D477491S

(12) **United States Design Patent**
Hoernig

(10) **Patent No.:** **US D477,491 S**

(45) **Date of Patent:** **** Jul. 22, 2003**

(54) **WALL SHELF**

(75) Inventor: **Victor Hoernig**, Lowell, IN (US)

(73) Assignee: **Bath Unlimited, Inc.**, Fort Mill, SC (US)

(**) Term: **14 Years**

(21) Appl. No.: **29/166,100**

(22) Filed: **Aug. 21, 2002**

(51) **LOC (7) Cl.** **06-04**

(52) **U.S. Cl.** **D6/574**

(58) **Field of Search** D6/553, 567, 572, D6/574; 108/28-29; 248/235, 309.1; 211/13.1, 42, 71.01, 86.01, 88.01, 88.03, 90.01, 90.03, 126.1, 133.5, 133.6, 134, 153, 182

(56) **References Cited**

U.S. PATENT DOCUMENTS

- 4,376,521 A * 3/1983 Walters 211/90.01 X
- D281,211 S * 11/1985 Beach D6/572
- 4,898,355 A * 2/1990 Steinway 248/235

- D344,651 S * 3/1994 Reese D6/574
- D453,439 S * 2/2002 Bahariance D6/574
- D458,072 S * 6/2002 Hoernig D6/574
- D468,146 S * 1/2003 Hoernig D6/574

* cited by examiner

Primary Examiner—Brian N. Vinson

(74) *Attorney, Agent, or Firm*—Edgar A. Zarins; Lloyd D. Doigan

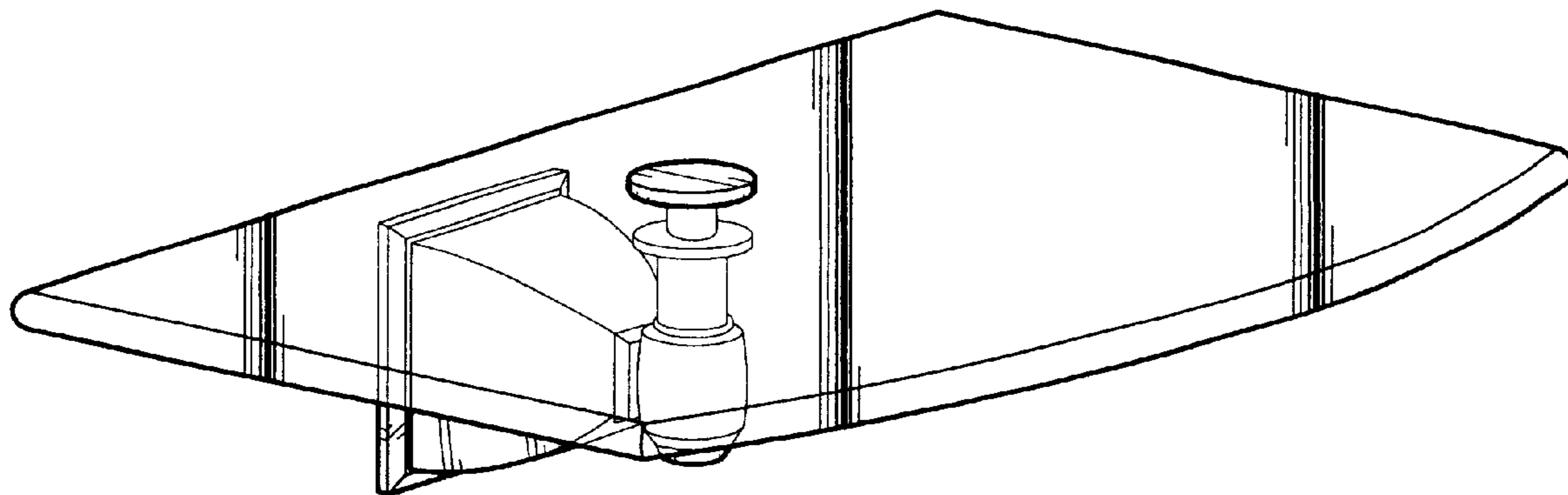
(57) **CLAIM**

The ornamental design for a wall shelf, as shown and described.

DESCRIPTION

FIG. 1 is a perspective view of a wall shelf showing my new design;
 FIG. 2 is a top plan view thereof;
 FIG. 3 is a left side view thereof;
 FIG. 4 is a bottom plan view thereof;
 FIG. 5 is a right side view thereof;
 FIG. 6 is a front elevational view thereof; and,
 FIG. 7 is a rear view thereof.

1 Claim, 3 Drawing Sheets



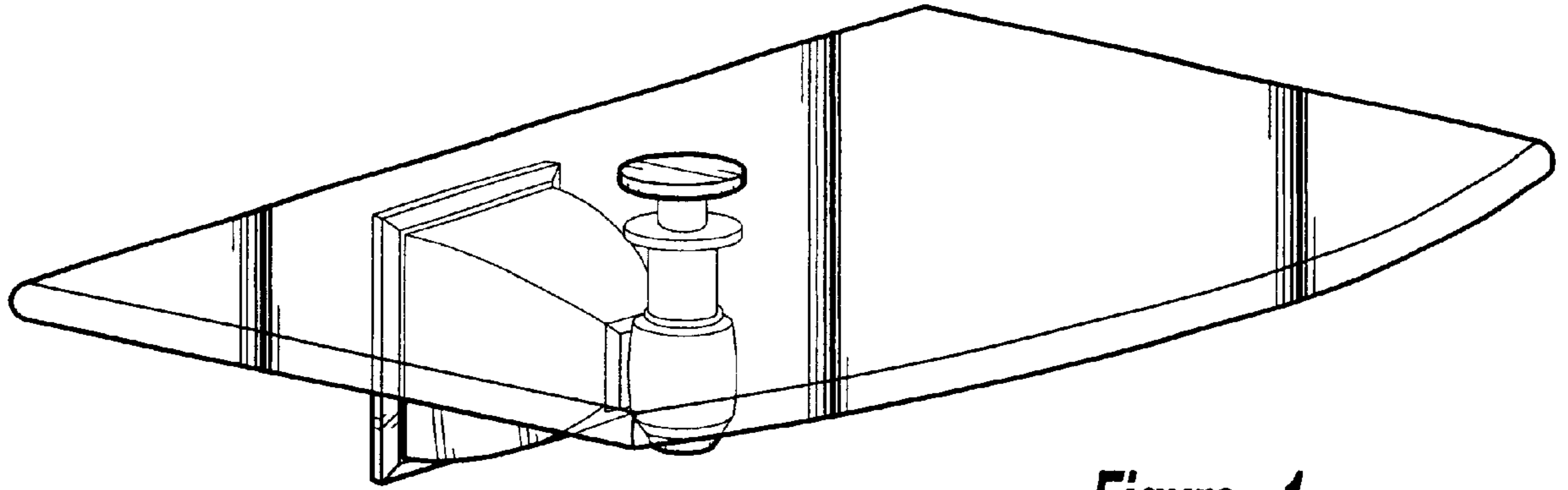


Figure - 1

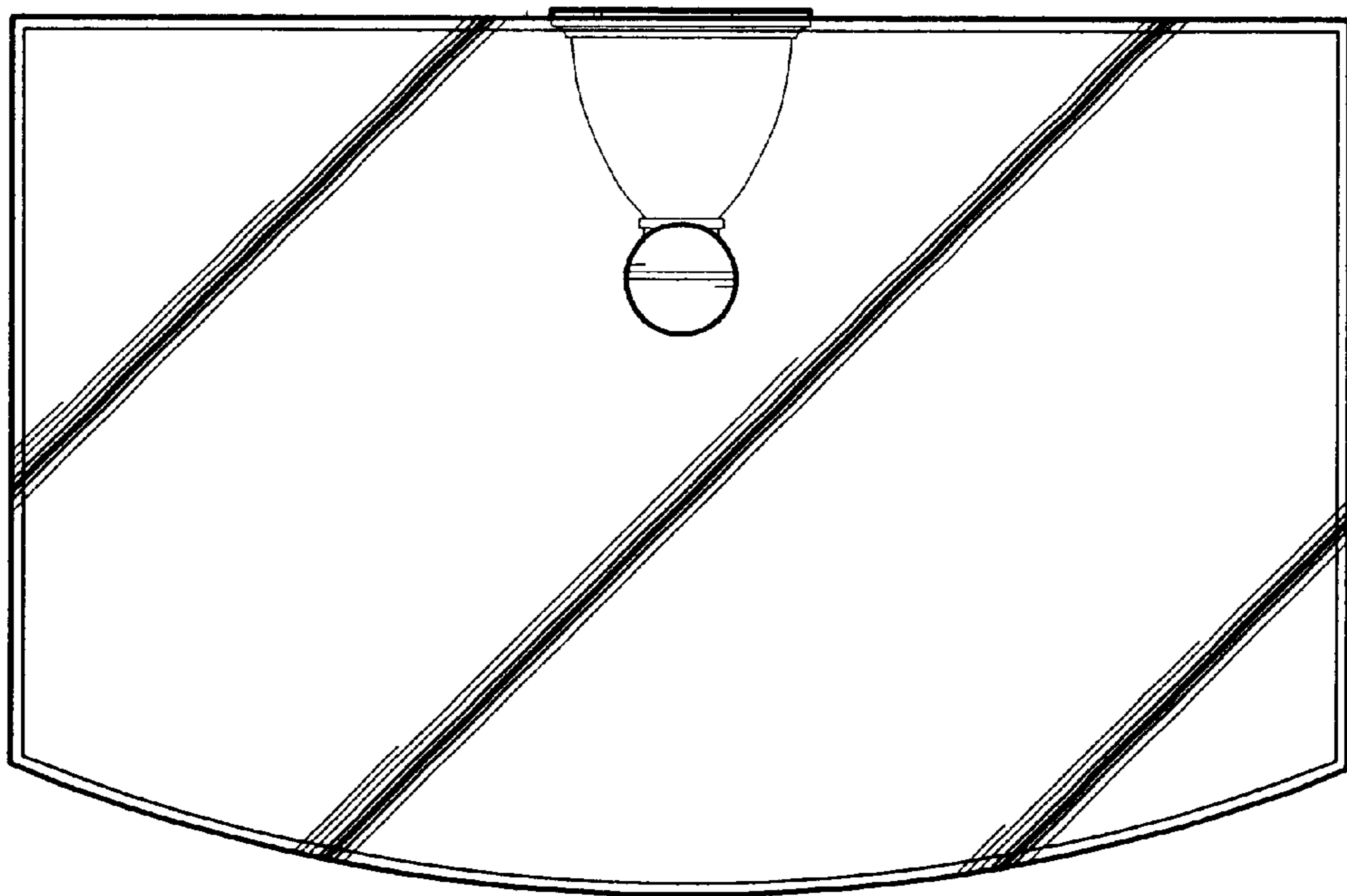


Figure - 2

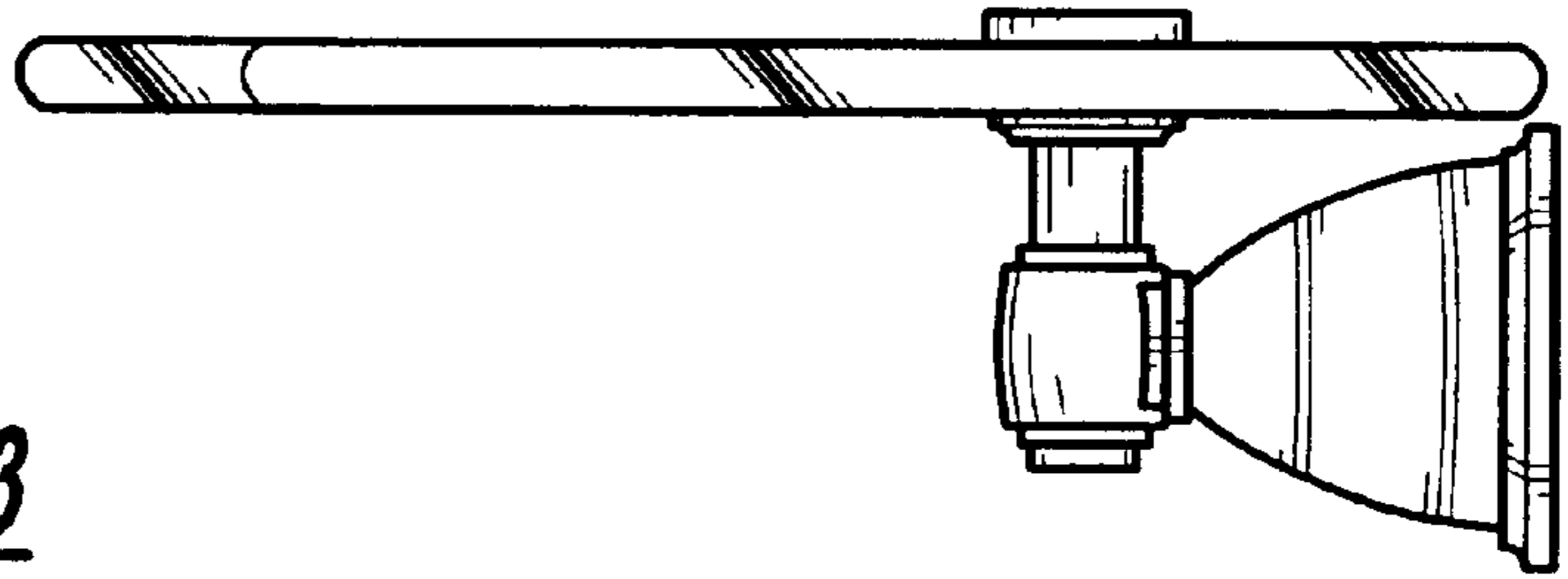


Figure - 3

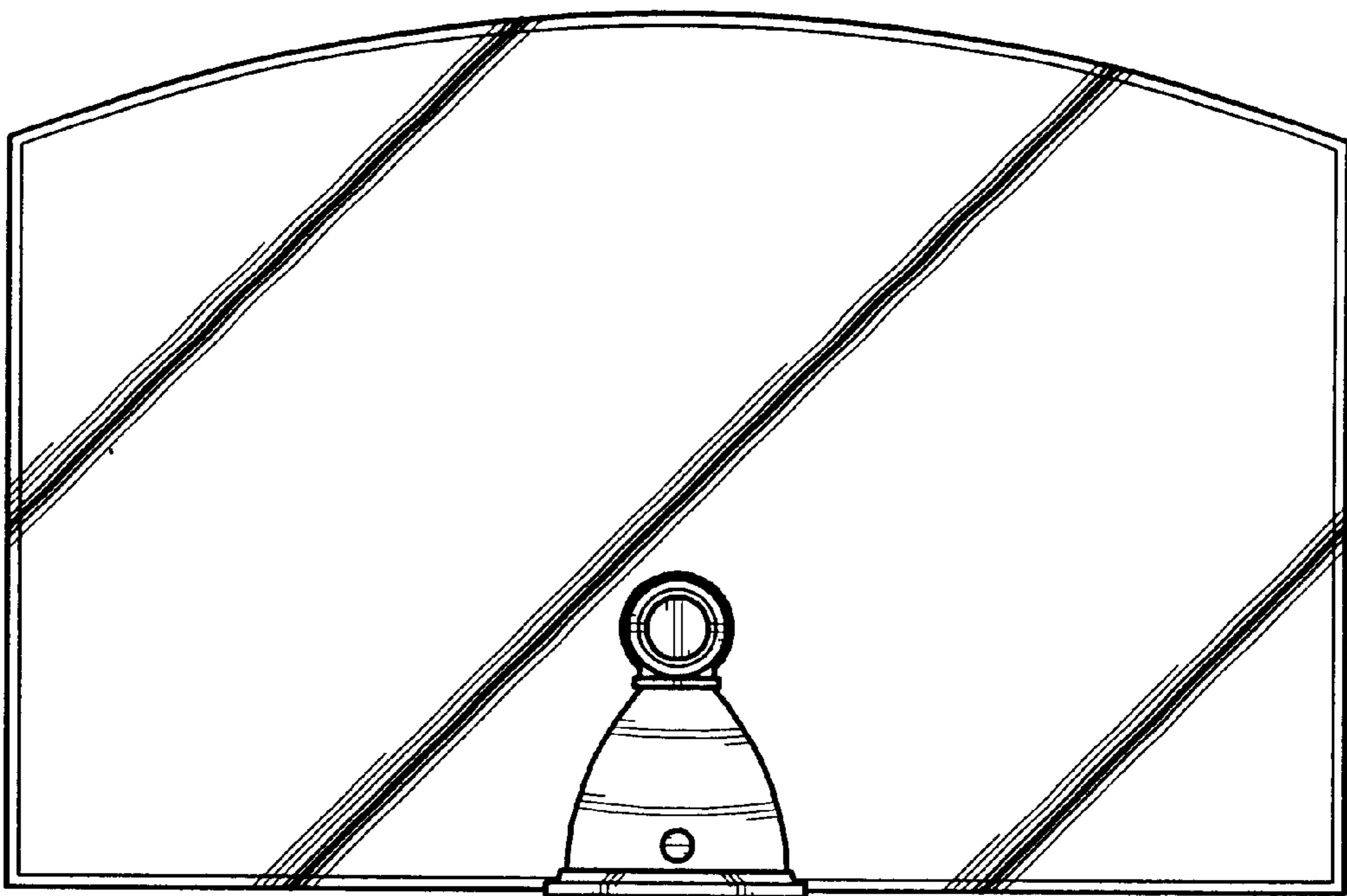


Figure - 4

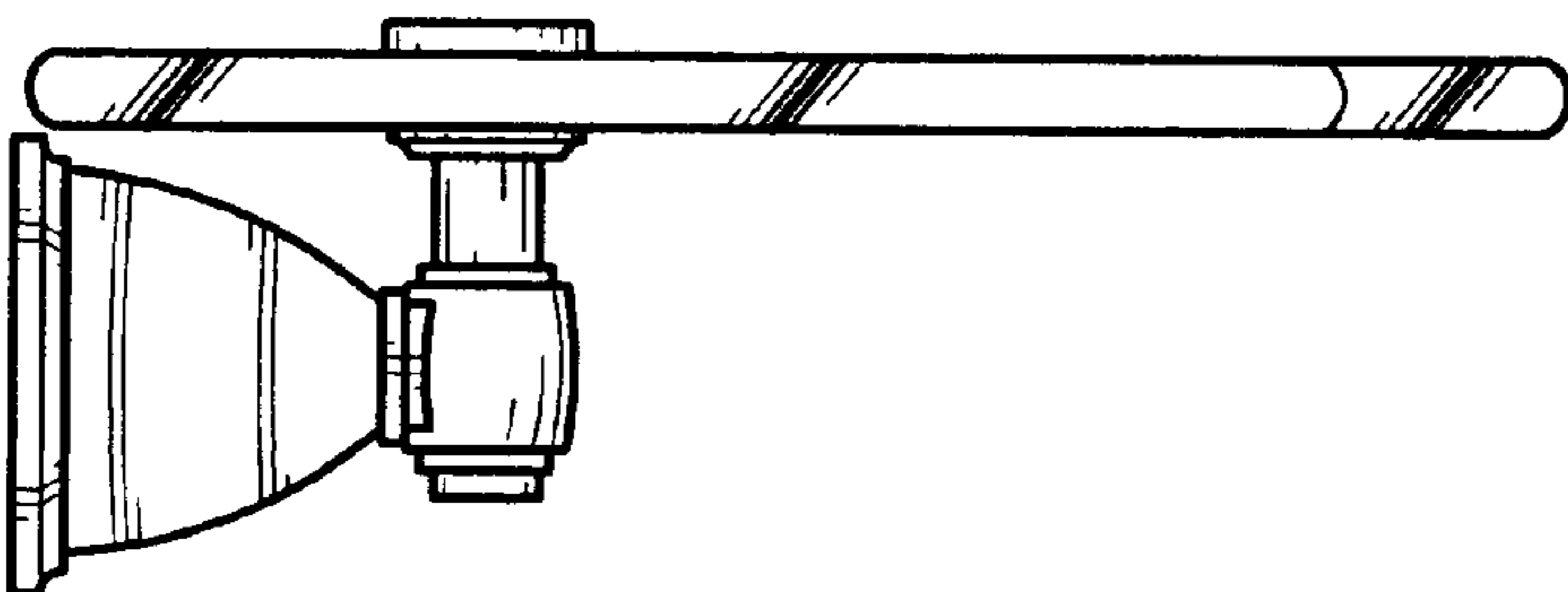


Figure - 5

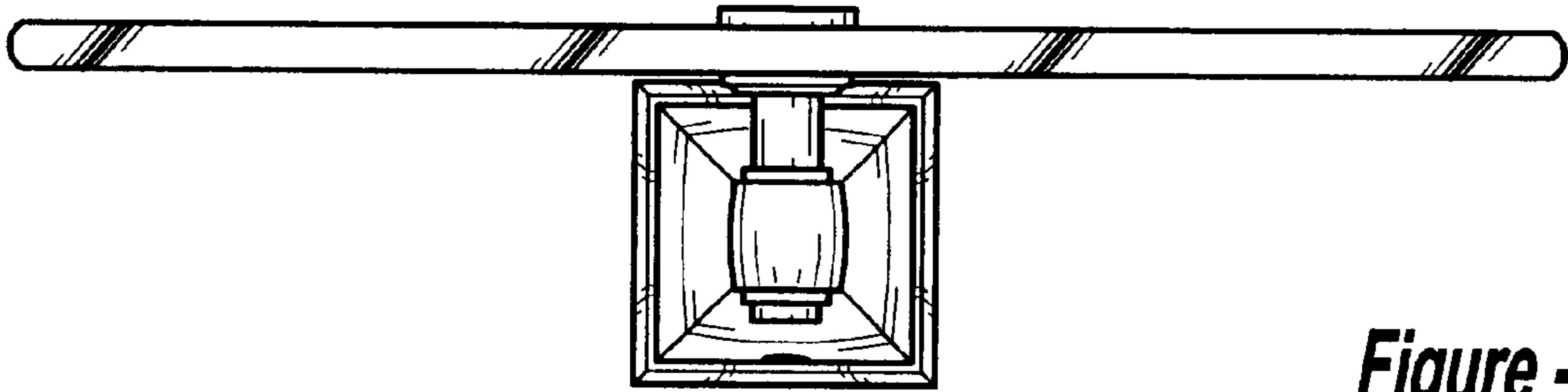


Figure - 6

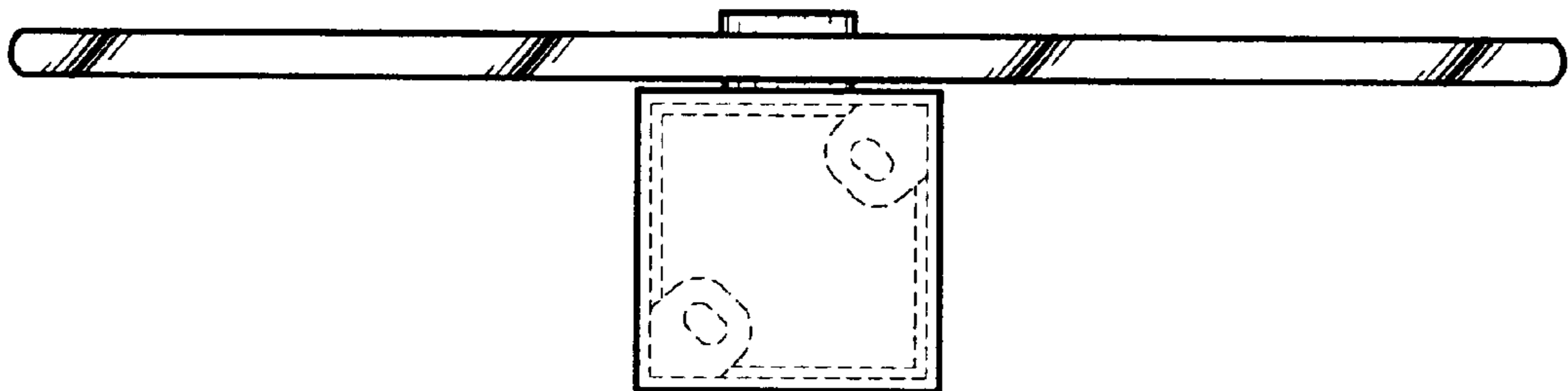


Figure - 7