



US00D477490S

(12) **United States Design Patent**  
**Hoernig**

(10) **Patent No.:** **US D477,490 S**

(45) **Date of Patent:** **\*\* Jul. 22, 2003**

(54) **WALL SHELF**

(75) **Inventor:** **Victor Hoernig**, Lowell, IN (US)

(73) **Assignee:** **Bath Unlimited, Inc.**, Fort Mill, SC (US)

(\*\*) **Term:** **14 Years**

(21) **Appl. No.:** **29/166,097**

(22) **Filed:** **Aug. 21, 2002**

(51) **LOC (7) Cl.** ..... **06-04**

(52) **U.S. Cl.** ..... **D6/574**

(58) **Field of Search** ..... D6/553, 567, 572,  
D6/574; 108/28-29; 248/235, 309.1; 211/13.1,  
42, 71.01, 86.01, 88.01, 88.03, 90.01, 90.03,  
126.1, 133.5, 133.6, 134, 153, 182

(56) **References Cited**

**U.S. PATENT DOCUMENTS**

- 4,376,521 A \* 3/1983 Walters ..... 211/90.01 X
- D299,400 S \* 1/1989 Fayerman et al. .... D6/572
- 4,898,355 A \* 2/1990 Steinway ..... 248/235
- D358,733 S \* 5/1995 Paul ..... D6/574

- D373,699 S \* 9/1996 Moon ..... D6/574
- D450,514 S \* 11/2001 Gottwald ..... D6/574
- D458,071 S \* 6/2002 Hoernig ..... D6/574
- D458,072 S \* 6/2002 Hoernig ..... D6/574

\* cited by examiner

*Primary Examiner*—Brian N. Vinson

(74) *Attorney, Agent, or Firm*—Edgar A. Zarins; Lloyd D. Doigan

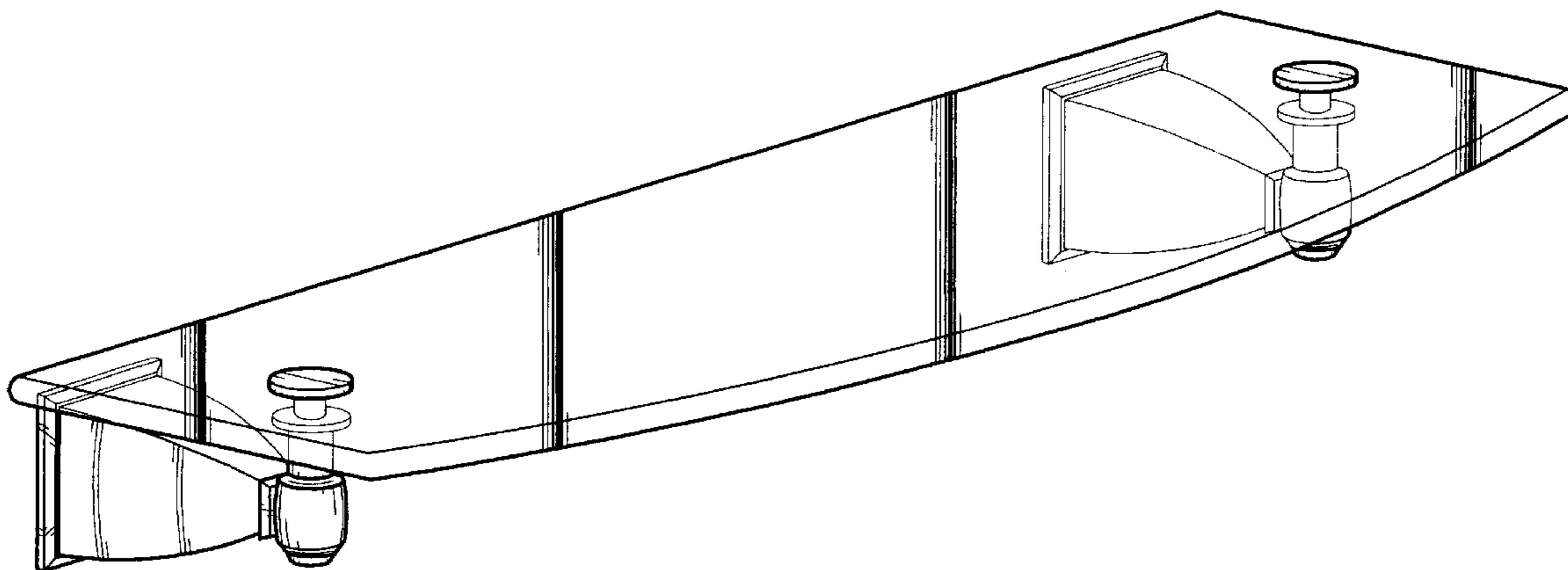
(57) **CLAIM**

The ornamental design for a wall shelf, as shown and described.

**DESCRIPTION**

FIG. 1 is a perspective view of a wall shelf showing my new design;  
 FIG. 2 is right side view thereof;  
 FIG. 3 is a left side view thereof;  
 FIG. 4 is a top plan view thereof;  
 FIG. 5 is a front elevational view thereof;  
 FIG. 6 is a rear view thereof; and,  
 FIG. 7 is a bottom plan view thereof.

**1 Claim, 3 Drawing Sheets**



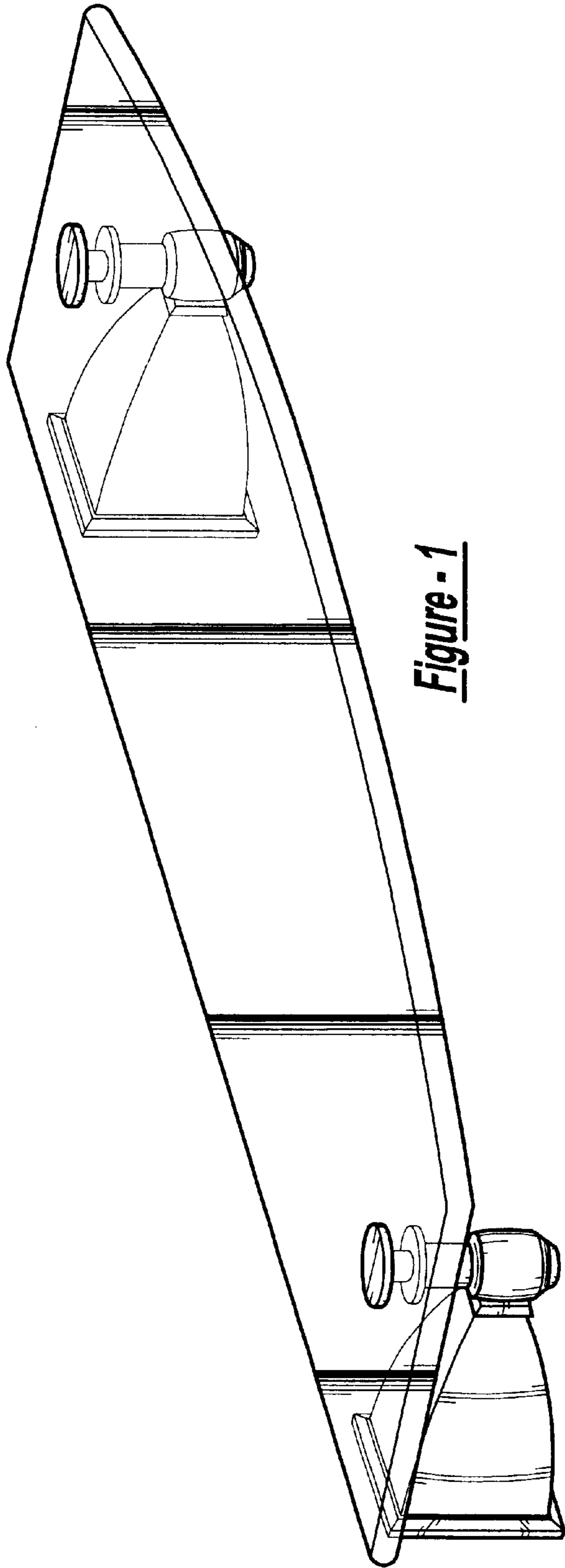


Figure - 1

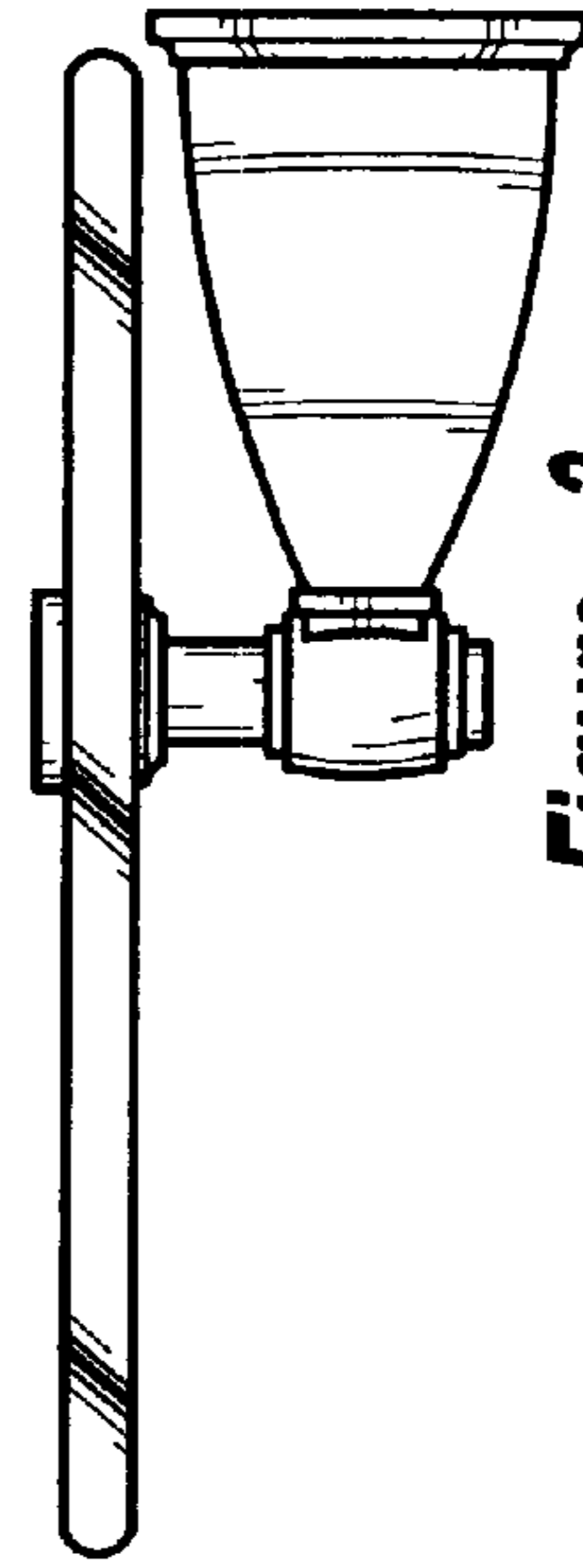


Figure - 3

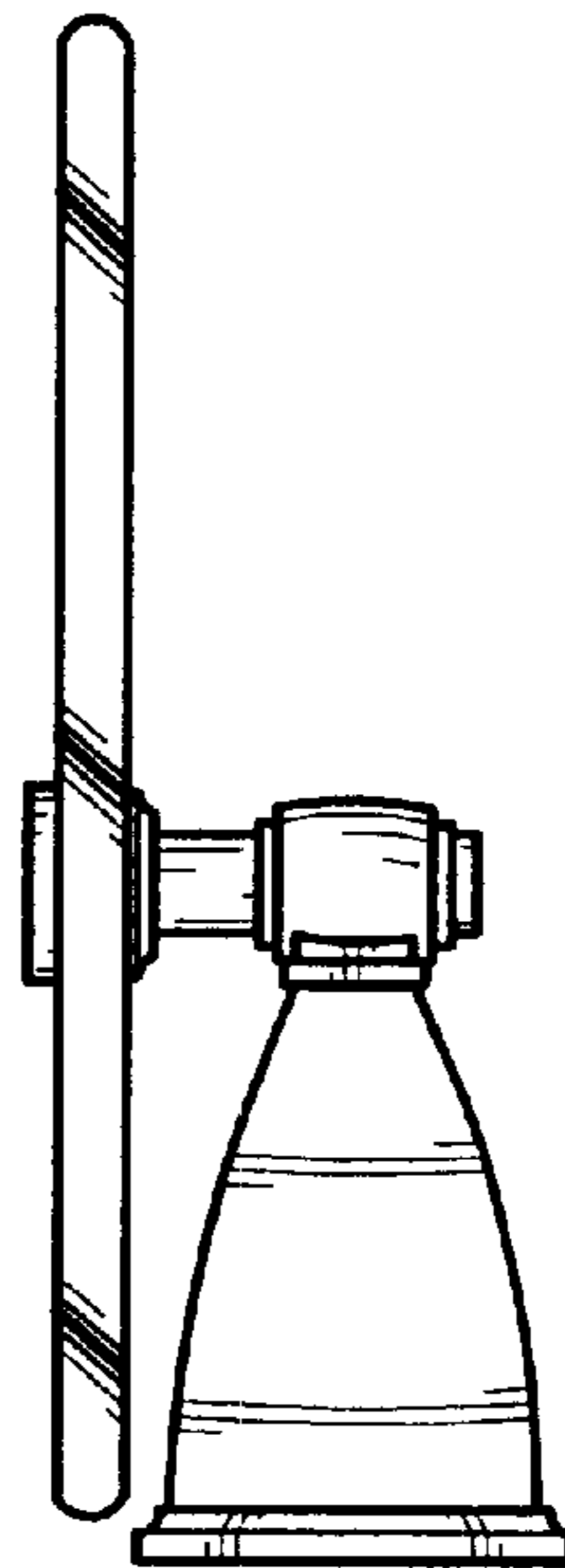


Figure - 2

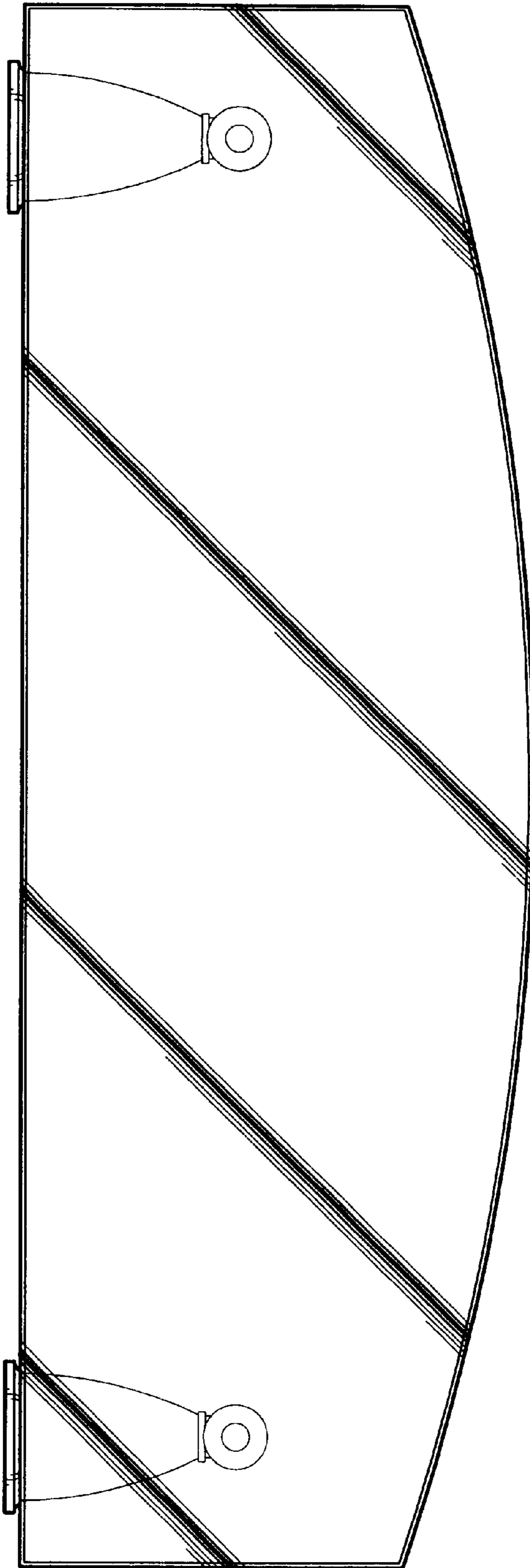


Figure - 4

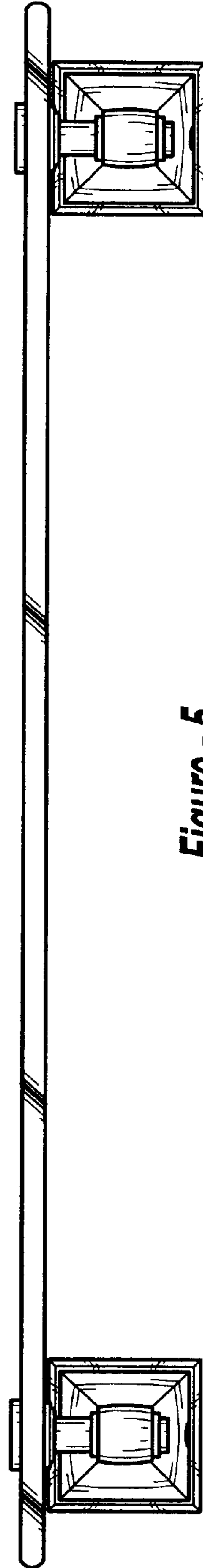


Figure - 5

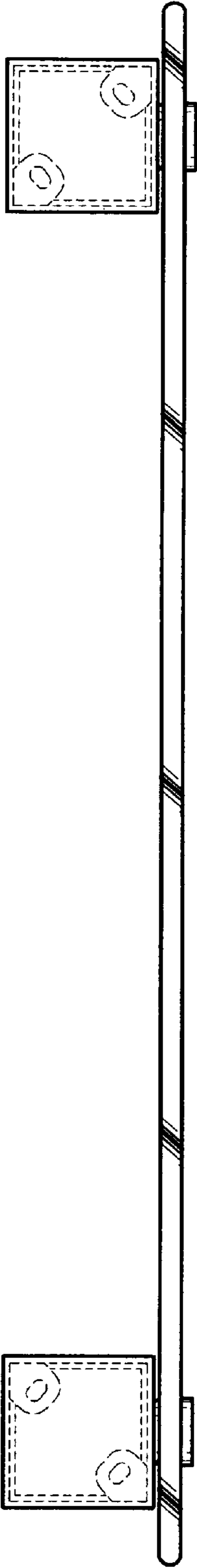


Figure - 6

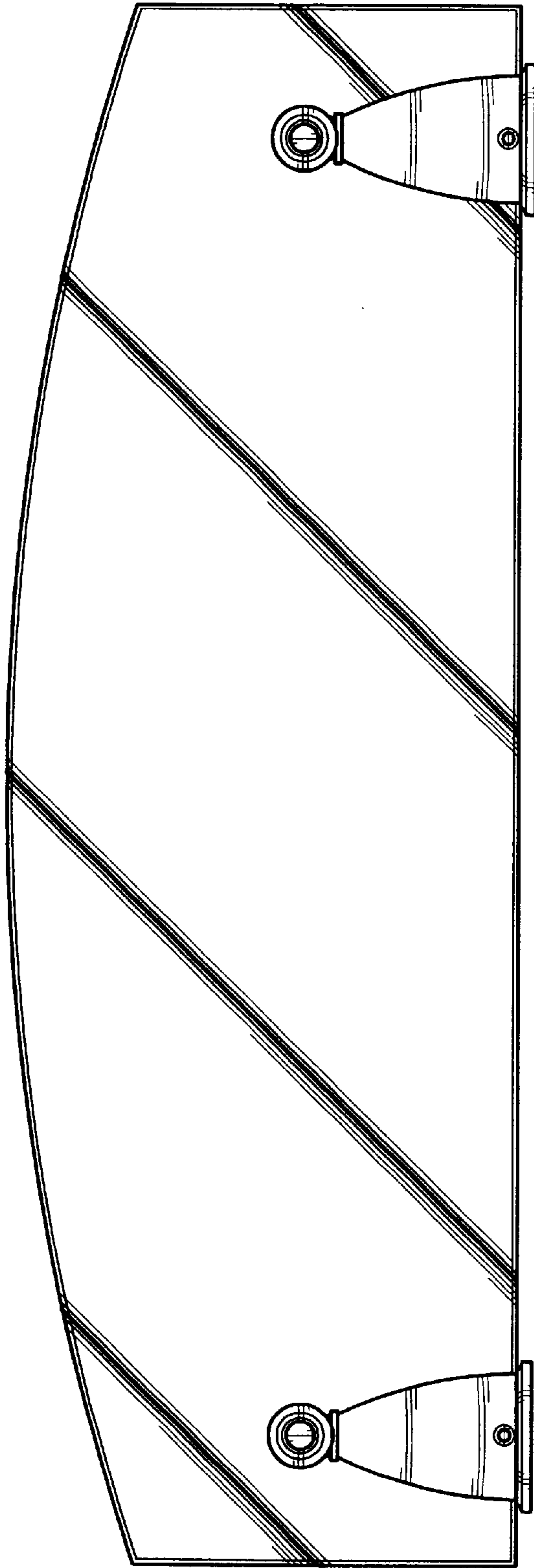


Figure - 7