



US00D477488S

(12) **United States Design Patent**  
**Hoernig**

(10) **Patent No.:** **US D477,488 S**

(45) **Date of Patent:** **\*\* Jul. 22, 2003**

- (54) **SHELF**
- (75) Inventor: **Victor Hoernig**, Lowell, IN (US)
- (73) Assignee: **Bath Unlimited, Inc.**, Fort Mill, SC (US)
- (\*\*) Term: **14 Years**
- (21) Appl. No.: **29/166,055**
- (22) Filed: **Aug. 21, 2002**
- (51) **LOC (7) Cl.** ..... **06-04**
- (52) **U.S. Cl.** ..... **D6/574**
- (58) **Field of Search** ..... D6/553, 567, 572, D6/574; 108/28-29; 248/235, 309.1; 211/13.1, 42, 71.01, 86.01, 88.01, 88.03, 90.01, 90.03, 126.1, 133.5, 133.6, 134, 153, 182

- D344,651 S \* 3/1994 Reese ..... D6/574
- D453,439 S \* 2/2002 Bahariance ..... D6/574
- D458,072 S \* 6/2002 Hoernig ..... D6/574
- D468,146 S \* 1/2003 Hoernig ..... D6/574

\* cited by examiner

*Primary Examiner*—Brian N. Vinson  
(74) *Attorney, Agent, or Firm*—Edgar A. Zarins; Lloyd D. Doigan

(57) **CLAIM**

The ornamental design for a shelf, as shown and described.

**DESCRIPTION**

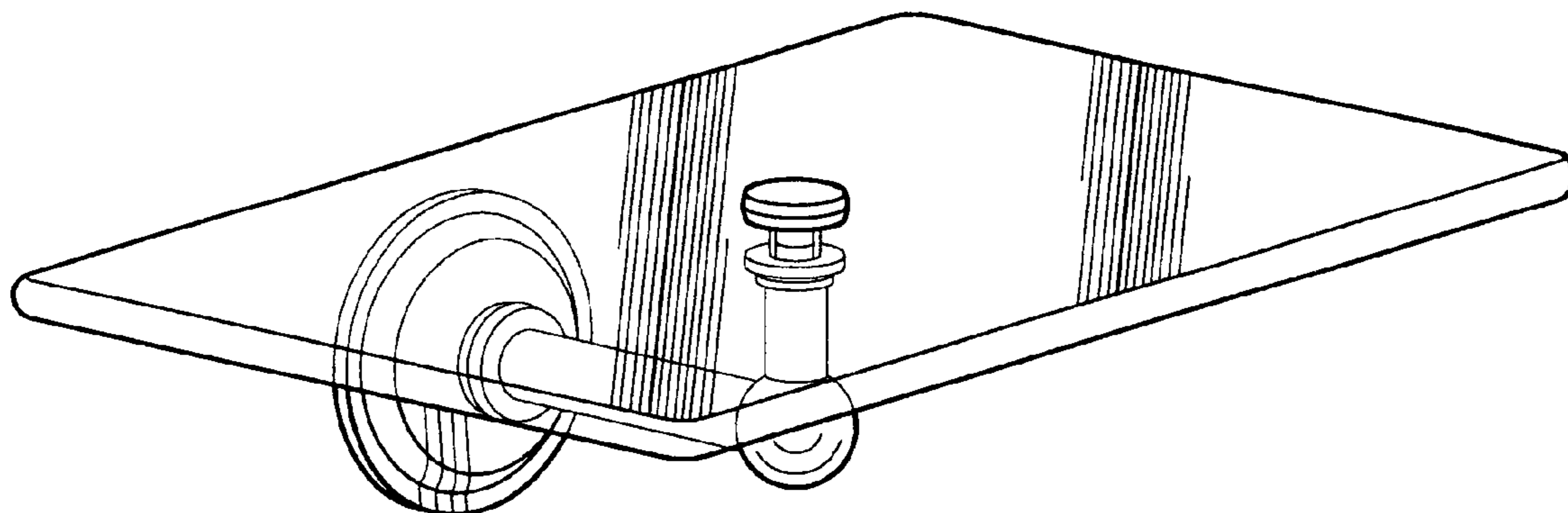
FIG. 1 is a perspective view of a shelf showing my new design;  
FIG. 2 is a left side view thereof, the opposite side being a mirror image of the side shown;  
FIG. 3 is a front elevational view thereof;  
FIG. 4 is a rear view thereof;  
FIG. 5 is a top plan view thereof; and,  
FIG. 6 is a bottom plan view thereof.

(56) **References Cited**

**U.S. PATENT DOCUMENTS**

- 4,376,521 A \* 3/1983 Walters ..... 211/90.01 X
- D281,211 S \* 11/1985 Beach ..... D6/572
- 4,898,355 A \* 2/1990 Steinway ..... 248/235

**1 Claim, 2 Drawing Sheets**



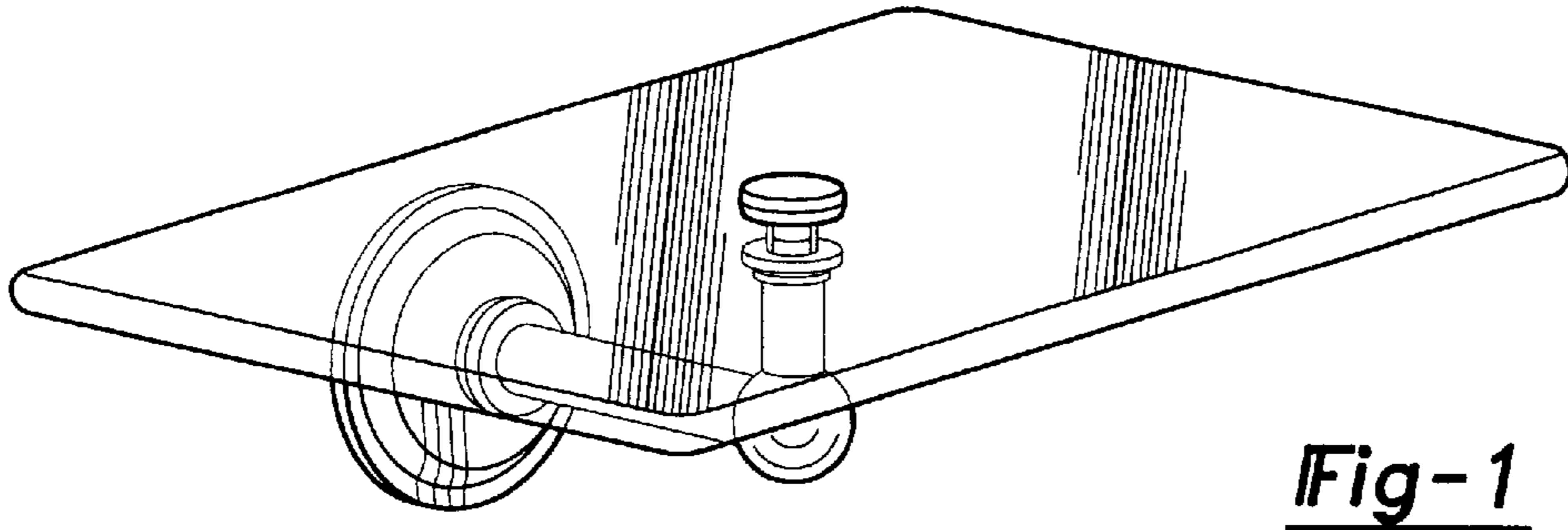


Fig-1

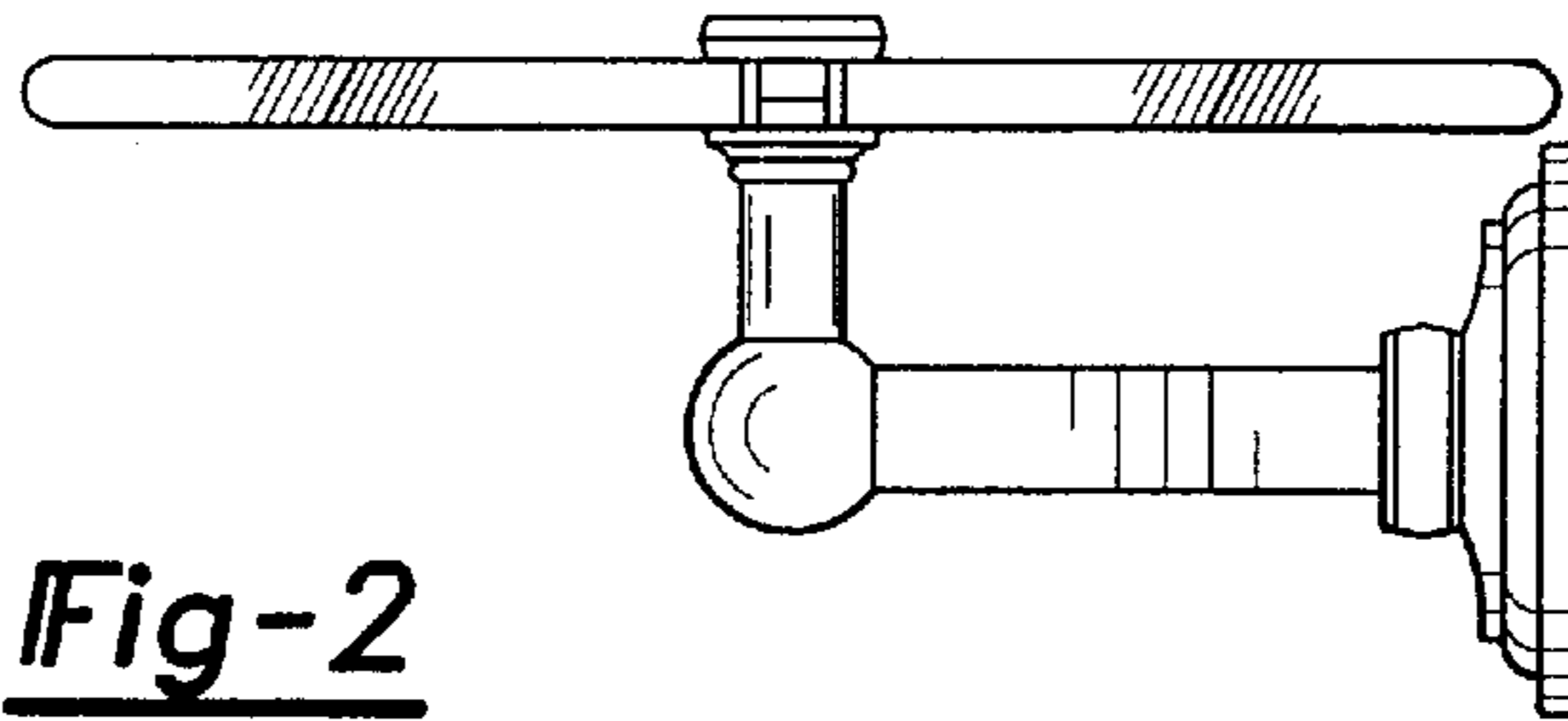


Fig-2

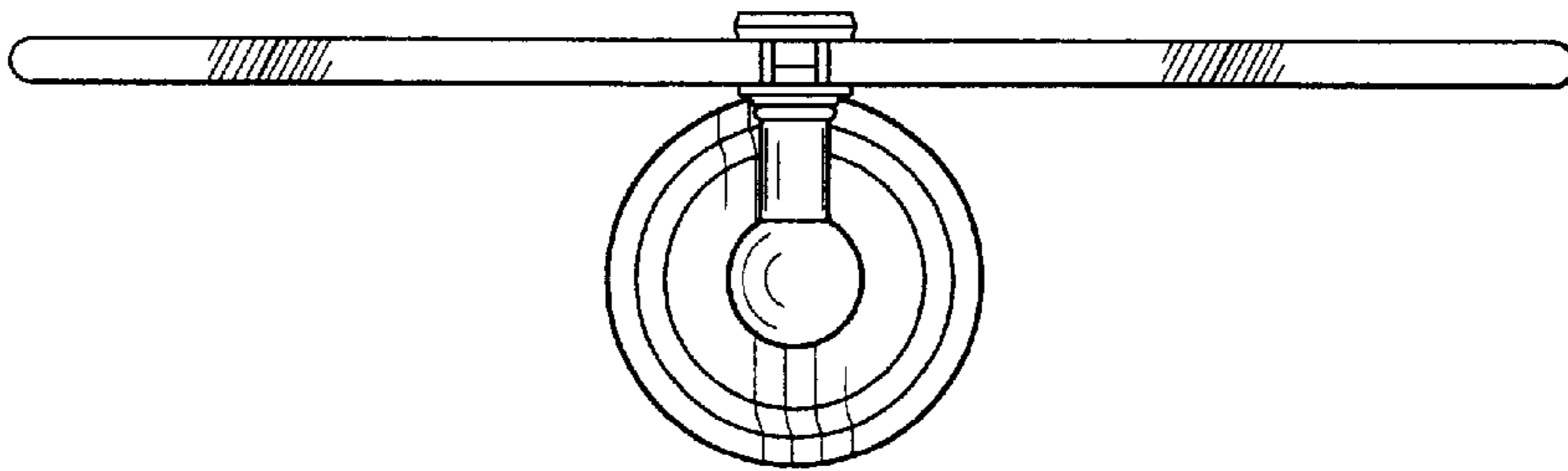


Fig-3

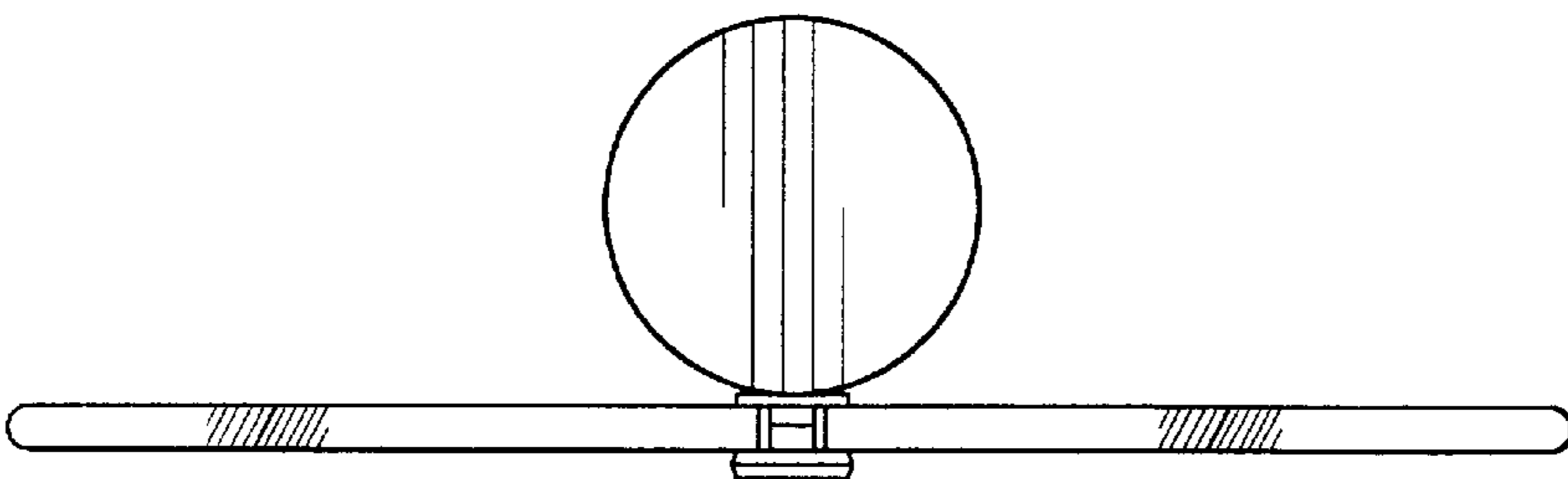


Fig-4

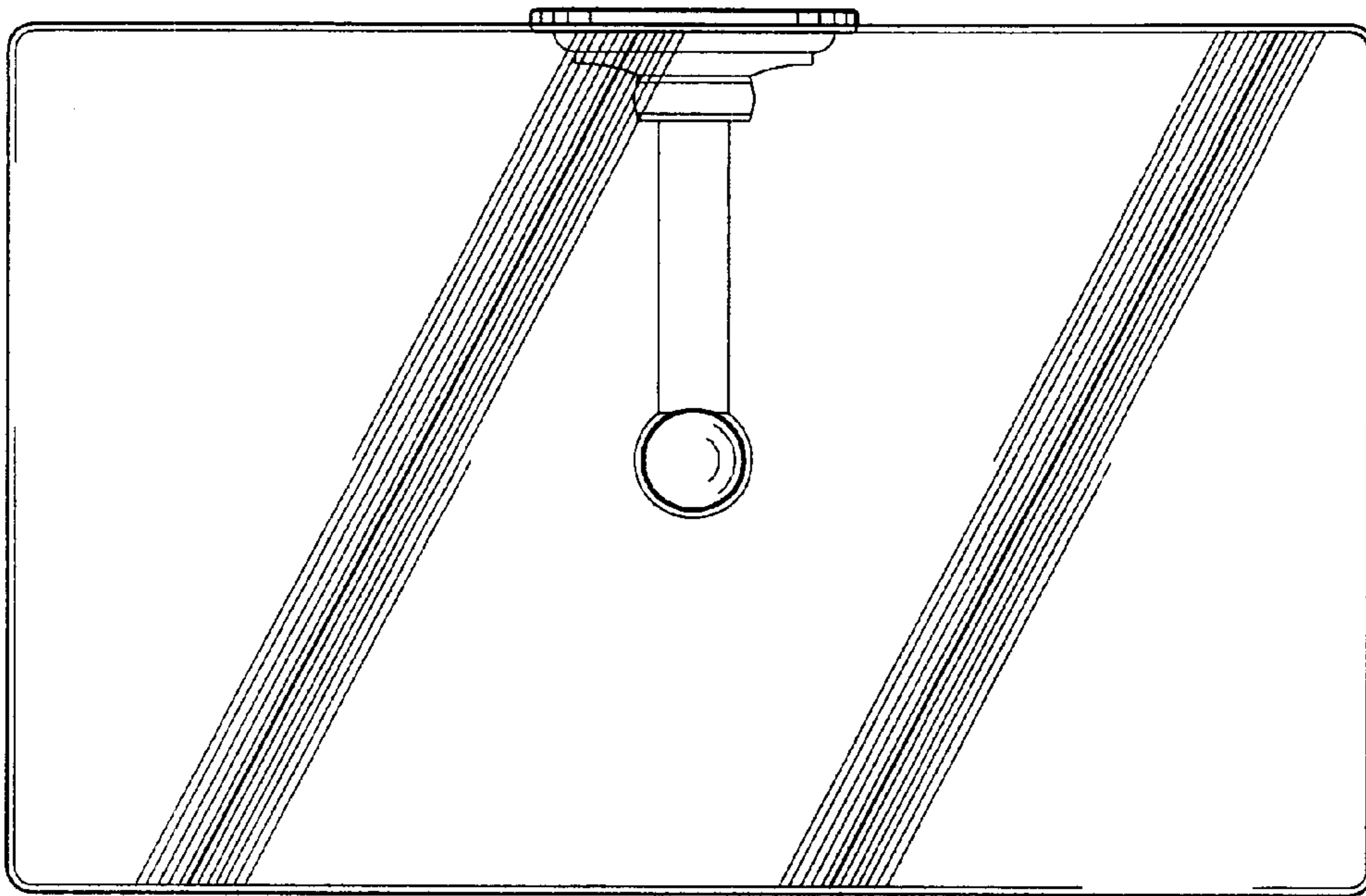


Fig-5

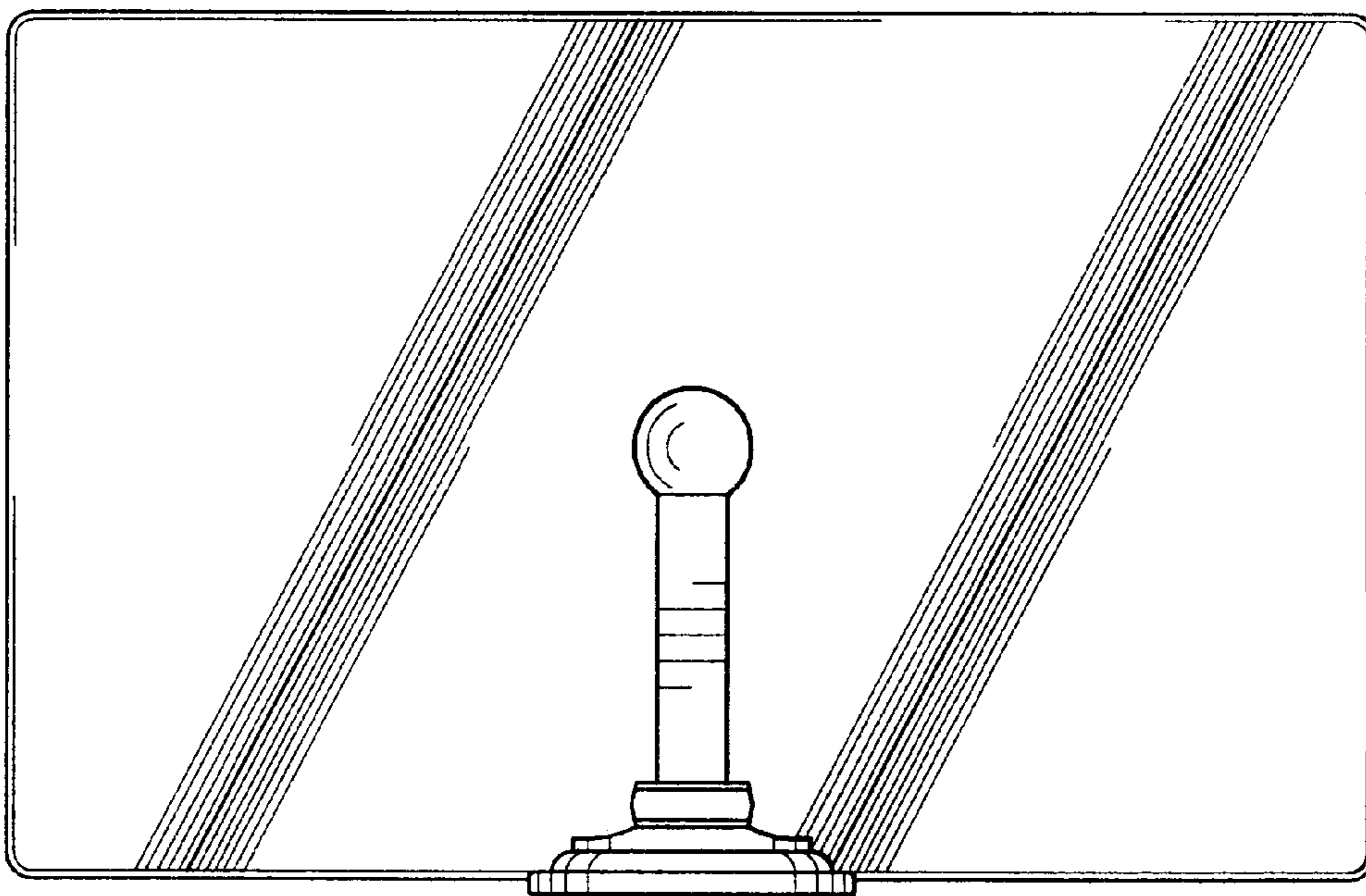


Fig-6