



US00D477487S

(12) **United States Design Patent**
Chaney et al.

(10) **Patent No.:** **US D477,487 S**
(45) **Date of Patent:** **** Jul. 22, 2003**

(54) **DISPLAY RACK FOR GOLF CLUBS**

(75) Inventors: **David B. Chaney**, Westerville, OH
(US); **Stephen W. Wharton**, Columbus,
OH (US)

(73) Assignee: **Burrows Golf, Inc.**, Valencia, CA (US)

(**) Term: **14 Years**

(21) Appl. No.: **29/164,269**

(22) Filed: **Jul. 19, 2002**

(51) **LOC (7) Cl.** **08-08**

(52) **U.S. Cl.** **D6/552**

(58) **Field of Search** D6/552, 396-7,
D6/416; 211/13.1, 60.1, 62, 64, 68, 70.2,
70.5, 71.01

(56) **References Cited**

U.S. PATENT DOCUMENTS

- 1,761,088 A * 6/1930 Pryde 211/70.2 X
- 3,315,815 A * 4/1967 Wittek 211/70.2
- D306,752 S * 3/1990 Crump D6/552 X
- D394,291 S * 5/1998 Beltran et al. D6/552
- D394,575 S * 5/1998 Mikloczak et al. D6/552

- D406,483 S * 3/1999 Bast D6/552
- D440,803 S * 4/2001 McCormick et al. D6/552
- D461,084 S * 8/2002 Chen D6/552
- D463,940 S * 10/2002 Uhl D6/552

* cited by examiner

Primary Examiner—Brian N. Vinson

(74) *Attorney, Agent, or Firm*—Kelly Bauersfeld Lowry & Kelley, LLP

(57) **CLAIM**

The ornamental design for a display rack for golf clubs, as shown.

DESCRIPTION

FIG. 1 is a perspective view showing the top, front, and left sides of a display rack for golf clubs according to the new design;

FIG. 2 is a front elevational view thereof;

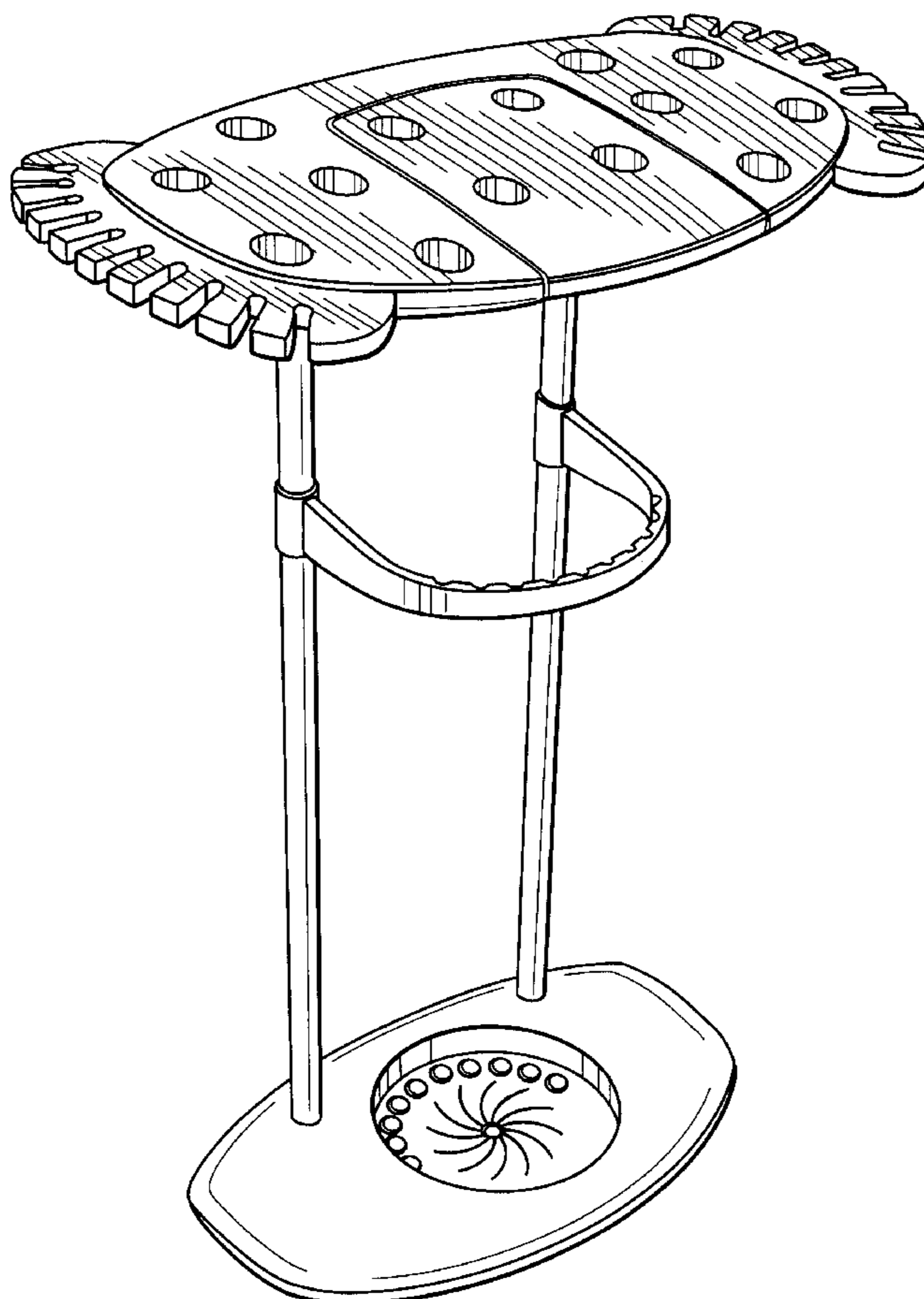
FIG. 3 is a right side elevational view thereof, the left side being a mirror image of the right side as shown;

FIG. 4 is a rear elevational view thereof;

FIG. 5 is a top plan view thereof; and,

FIG. 6 is a bottom plan view thereof.

1 Claim, 2 Drawing Sheets



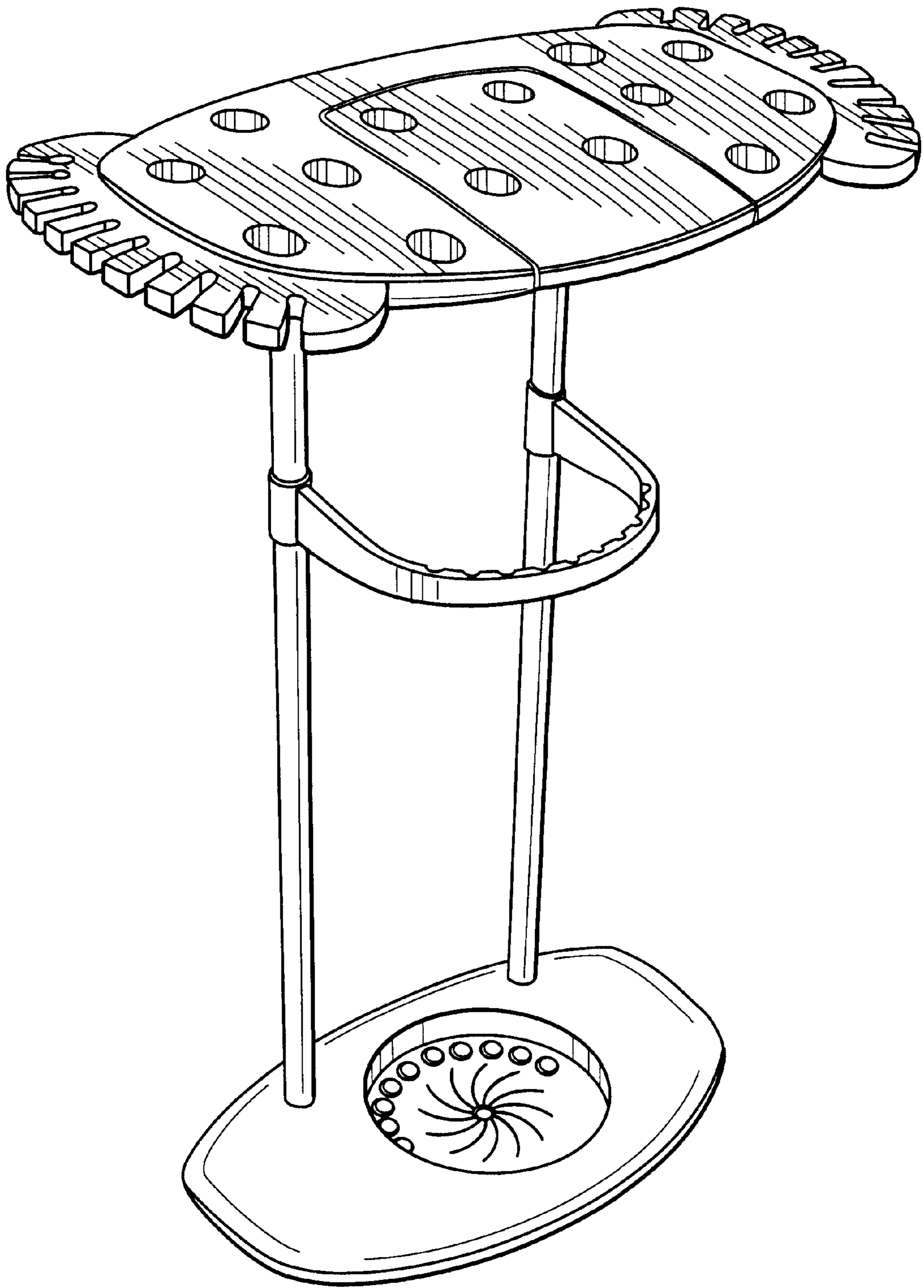


FIG. 1

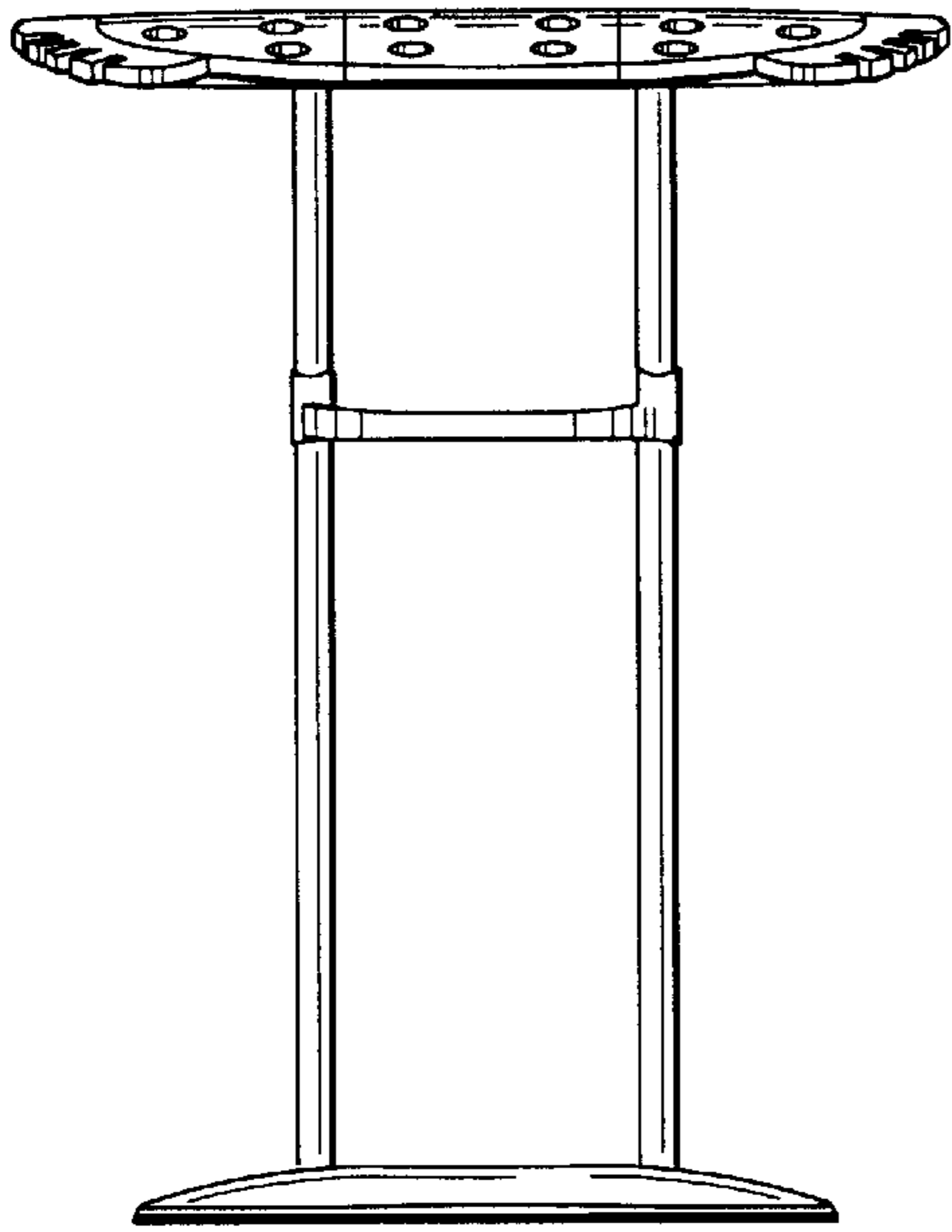


FIG. 2

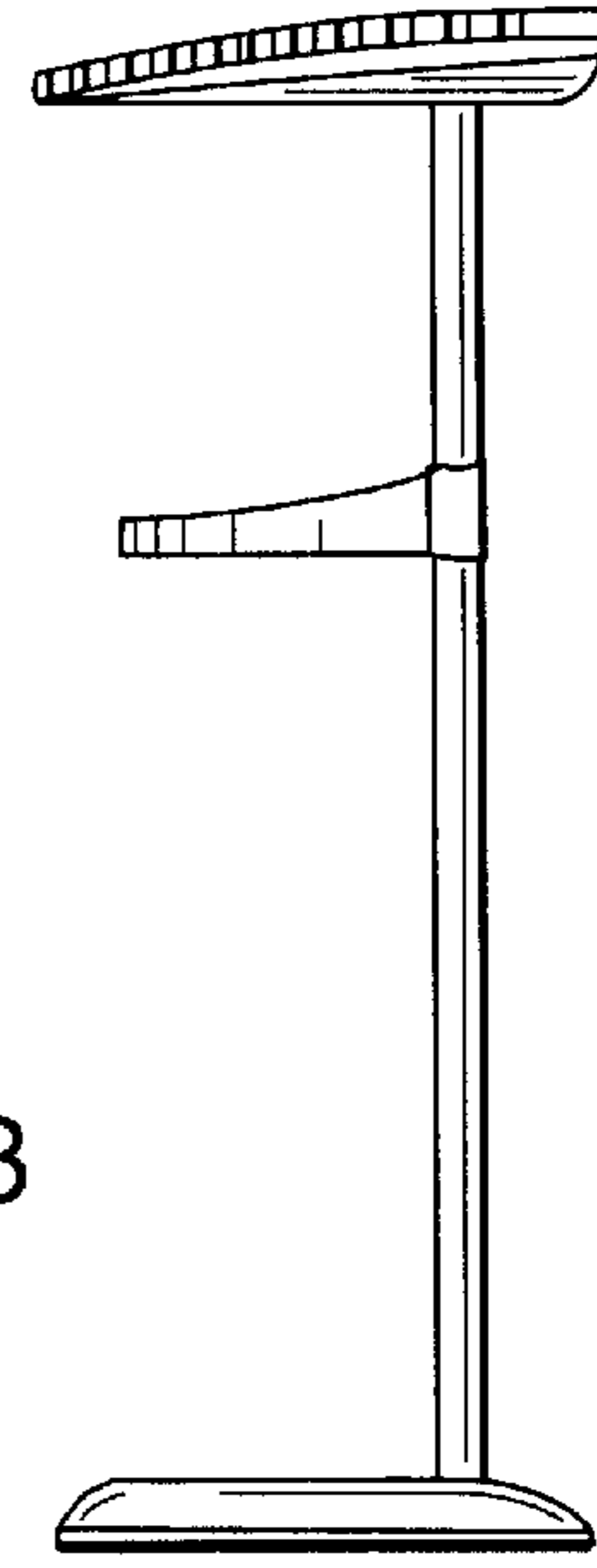


FIG. 3

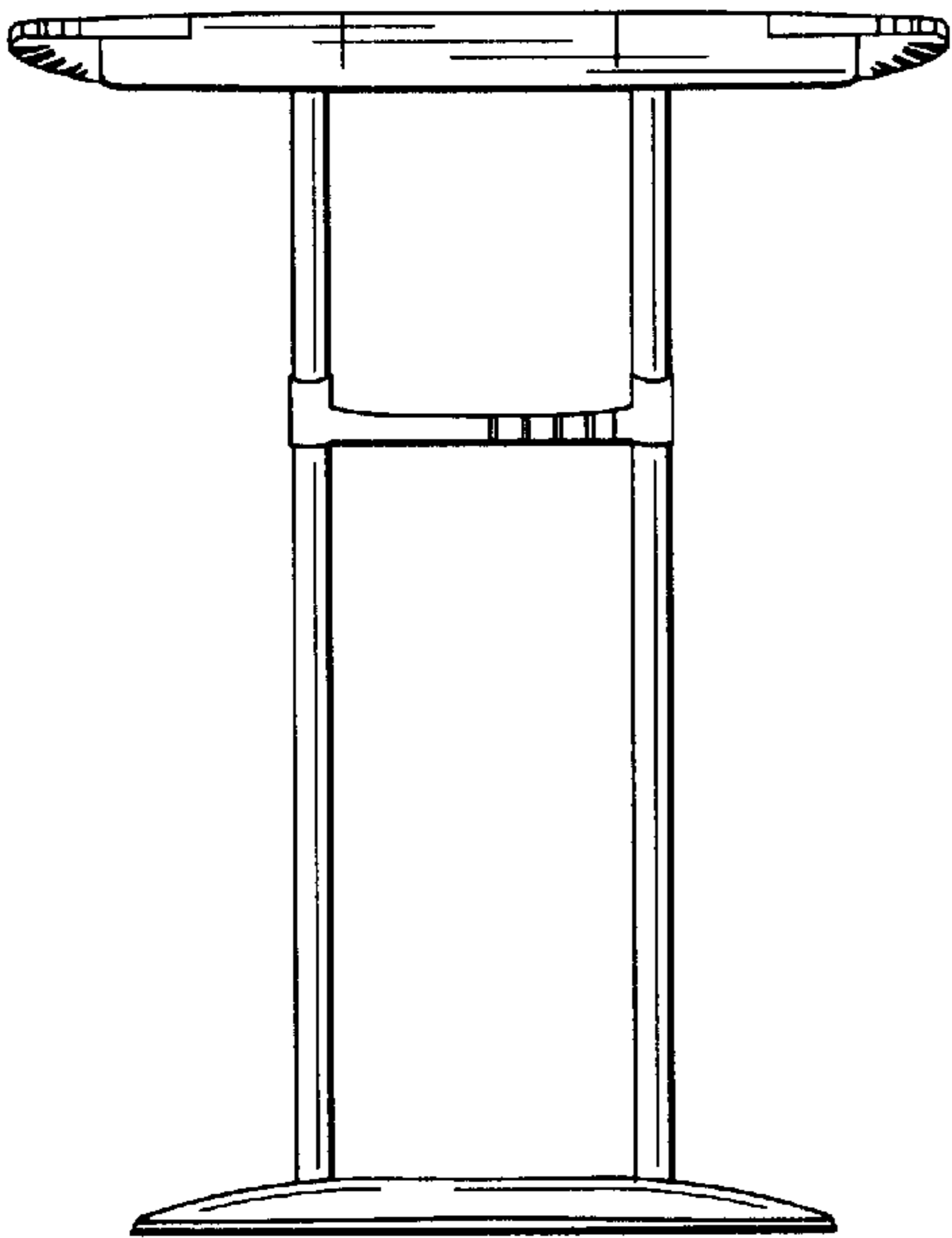


FIG. 4

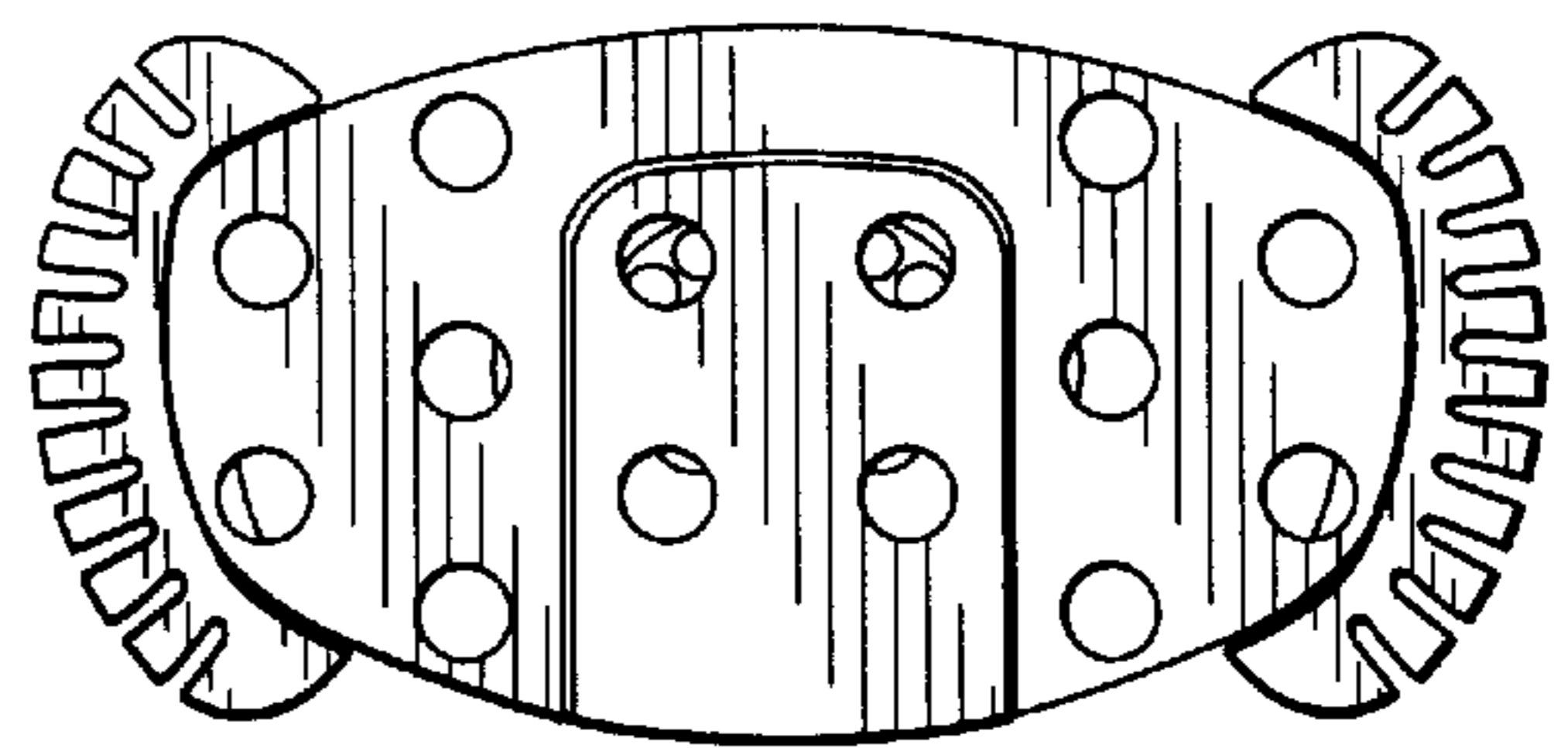


FIG. 5

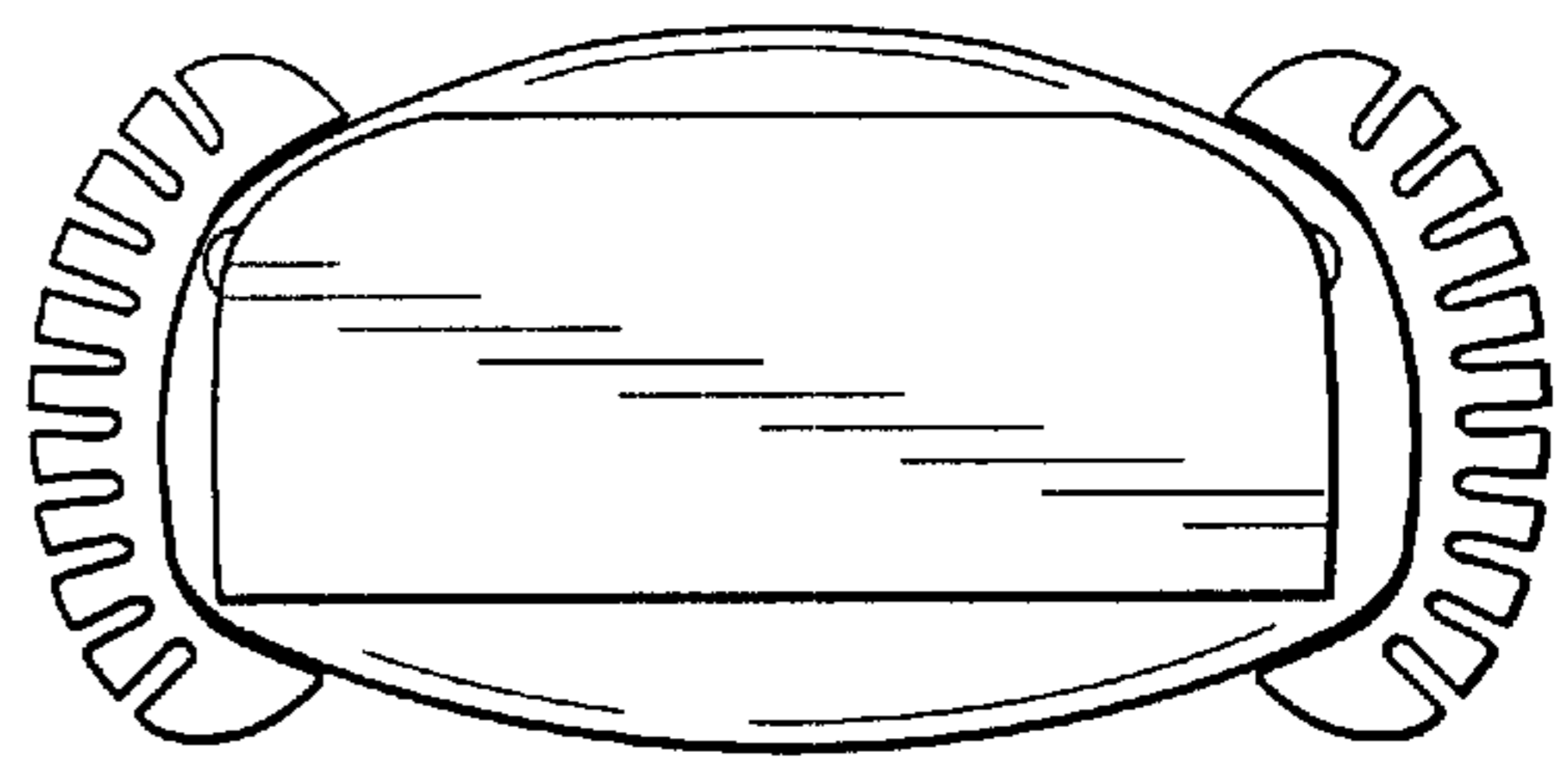


FIG. 6