



US00D477486S

(12) **United States Design Patent**  
**Green**

(10) **Patent No.:** **US D477,486 S**

(45) **Date of Patent:** **\*\* Jul. 22, 2003**

(54) **TOWEL BAR BRACKET**

(75) **Inventor:** **Eric D. Green**, Cleveland Heights, OH (US)

(73) **Assignee:** **Moen Incorporated**, North Olmsted, OH (US)

(\*\*) **Term:** **14 Years**

(21) **Appl. No.:** **29/166,457**

(22) **Filed:** **Aug. 28, 2002**

(51) **LOC (7) Cl.** ..... **06-04**

(52) **U.S. Cl.** ..... **D6/550; D6/524**

(58) **Field of Search** ..... D6/546-50, 518, D6/522-24; D8/300, 303, 315-21, 354, 363, 373, 380; 108/28-29; 211/13.1, 16, 60.1, 86.01, 87.01, 88.01, 88.04, 100, 105.1-105.2, 119.003, 123, 126.1, 133.6, 134, 181.1, 182; 248/175, 176.1, 200, 214, 251, 302, 309.1; 16/110.1, 412, 415; 242/570, 590, 595-598; 206/389, 557

(56) **References Cited**

**U.S. PATENT DOCUMENTS**

D259,753 S	7/1981	Fleischmann et al.	
D357,840 S	5/1995	Lehn et al.	
D361,006 S	8/1995	Sharpe	
D374,361 S	10/1996	Lehn et al.	
D386,963 S	12/1997	Hsu	
D392,139 S	3/1998	Wu	
D407,932 S	4/1999	Sweetman	
D417,995 S	* 12/1999	Chen	D6/550
D424,352 S	5/2000	Roth et al.	

D424,354 S	5/2000	Duggan	
D432,840 S	10/2000	Solowiej	
D449,949 S	* 11/2001	Hsieh	D6/524
D452,400 S	* 12/2001	Chen	D6/524
D453,649 S	2/2002	Hoernig	
D454,743 S	* 3/2002	Ou-Young	D6/549
D466,348 S	* 12/2002	Yen	D6/550
D466,349 S	* 12/2002	Tai	D6/550
D466,737 S	* 12/2002	Tai	D6/524
D466,746 S	* 12/2002	Chen	D6/550
D469,644 S	* 2/2003	Yen	D6/550

\* cited by examiner

*Primary Examiner*—Brian N. Vinson

(74) *Attorney, Agent, or Firm*—Cook, Alex, McFarron, Manzo, Cummings & Mehler, Ltd.

(57) **CLAIM**

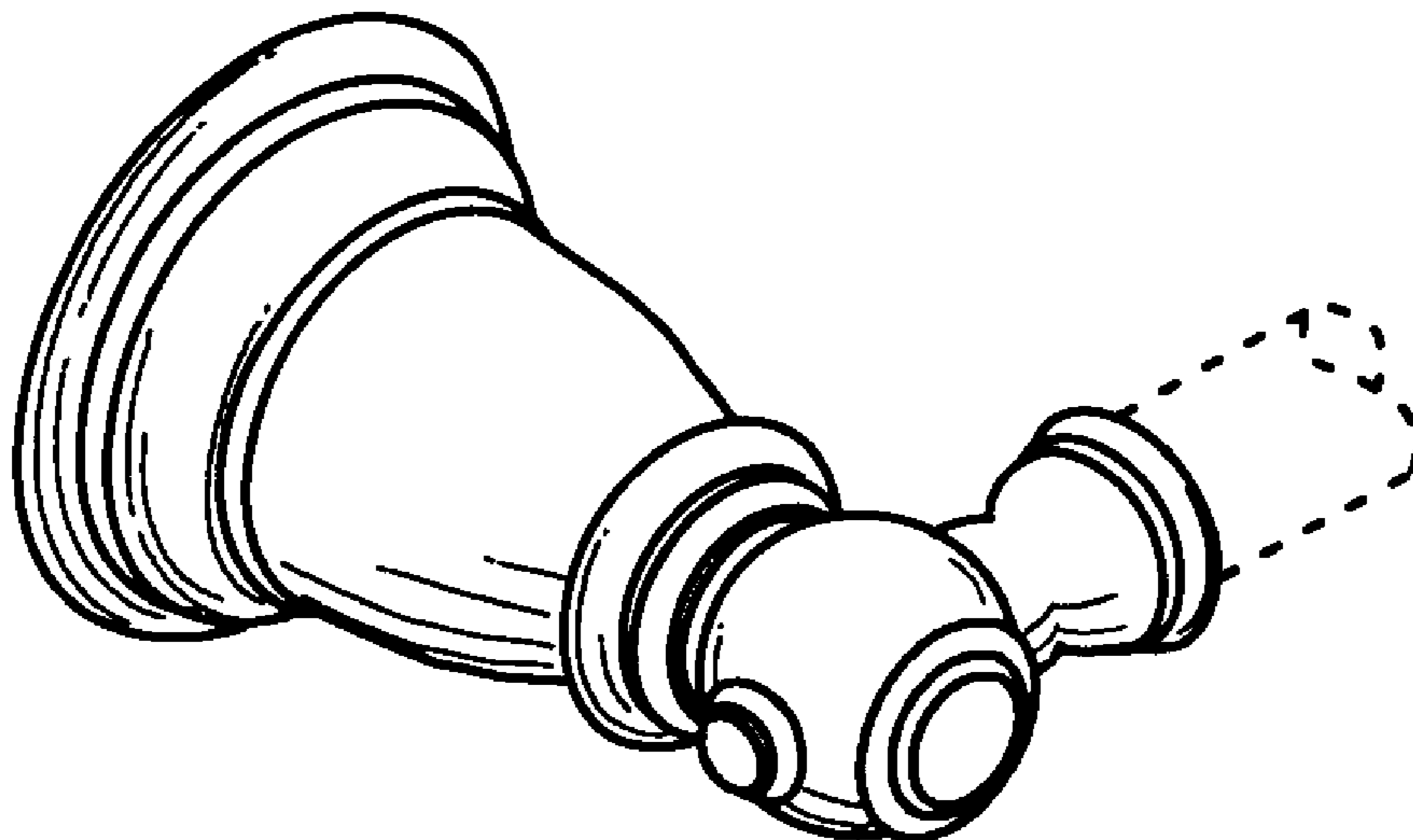
The ornamental design for a towel bar bracket, as shown and described.

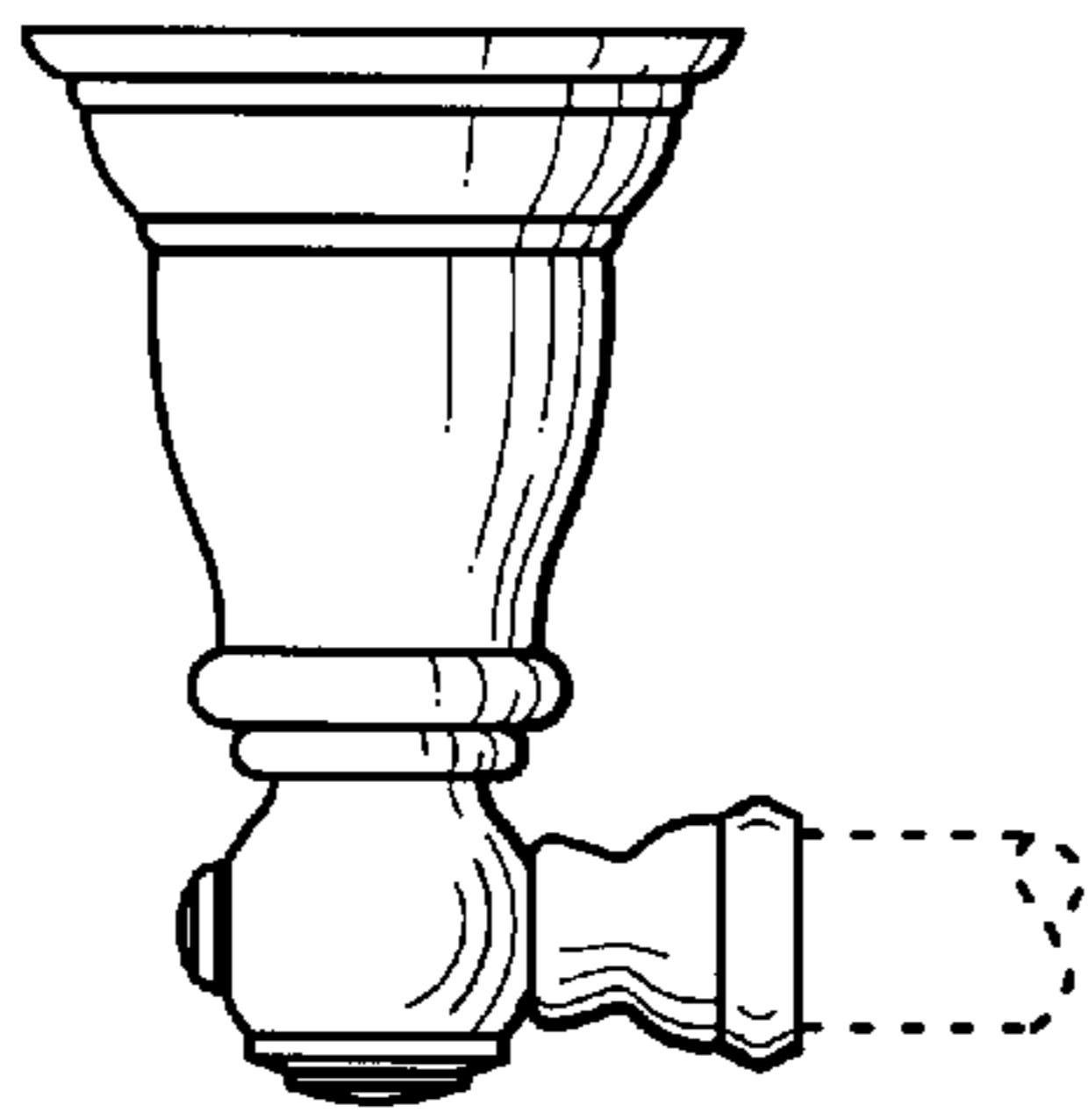
**DESCRIPTION**

FIG. 1 is a top plan view of my new design for a towel bar bracket;  
FIG. 2 is a front elevation view;  
FIG. 3 is a bottom plan view;  
FIG. 4 is a rear elevation view;  
FIG. 5 is a perspective view;  
FIG. 6 is a right side elevation view; and,  
FIG. 7 is a left side elevation view.

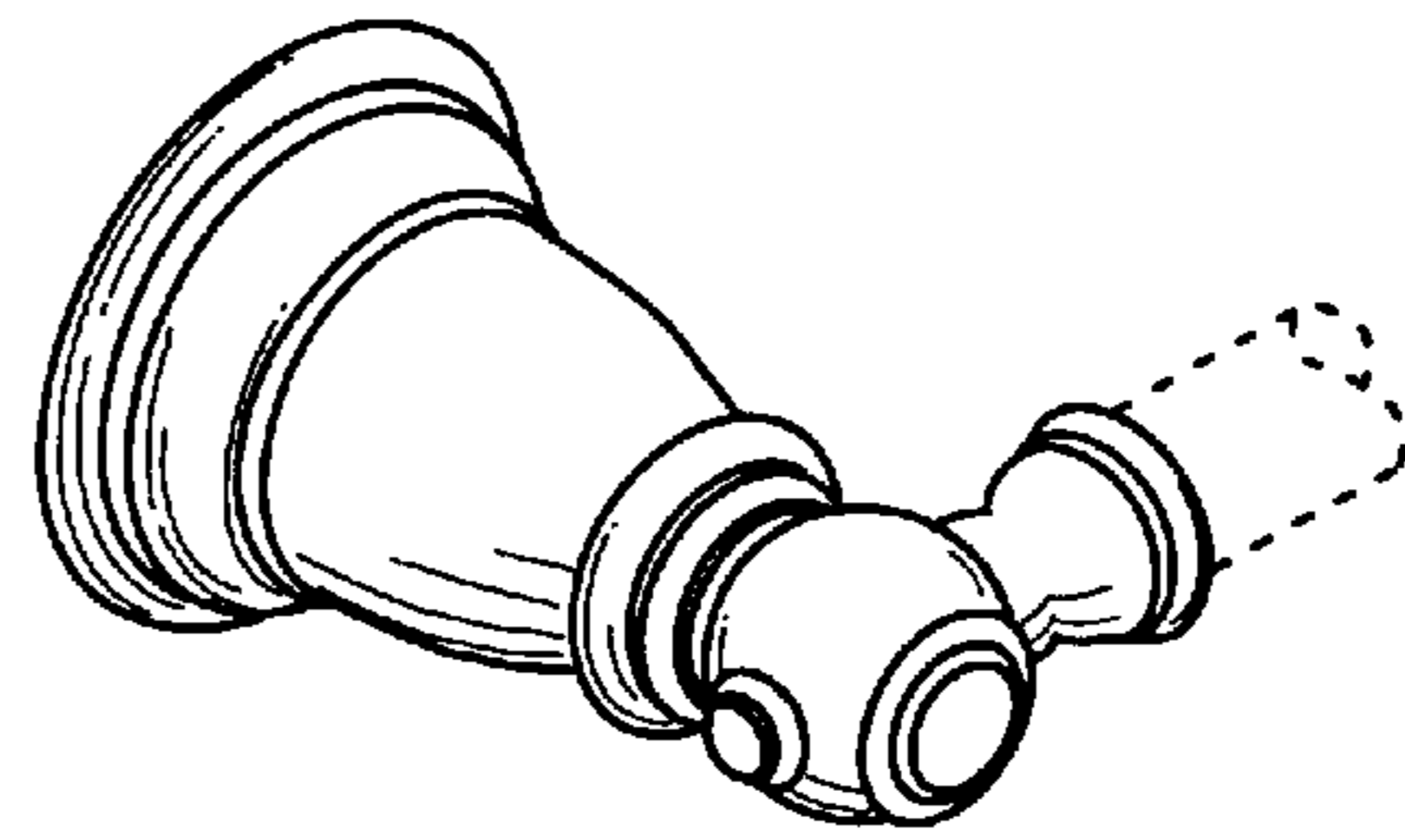
The broken-line disclosure of a bar fragment in the views is for illustrative purposes only and forms no part of the claimed design.

**1 Claim, 1 Drawing Sheet**

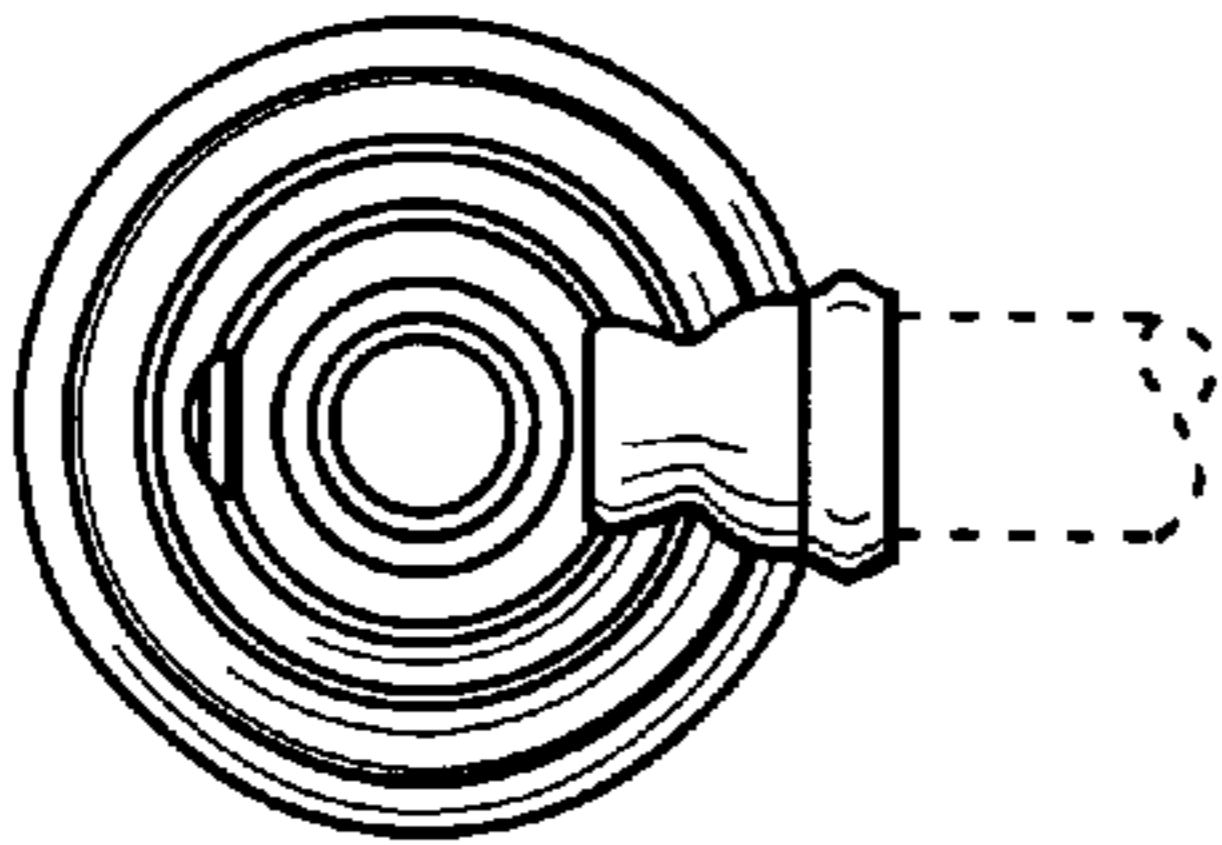




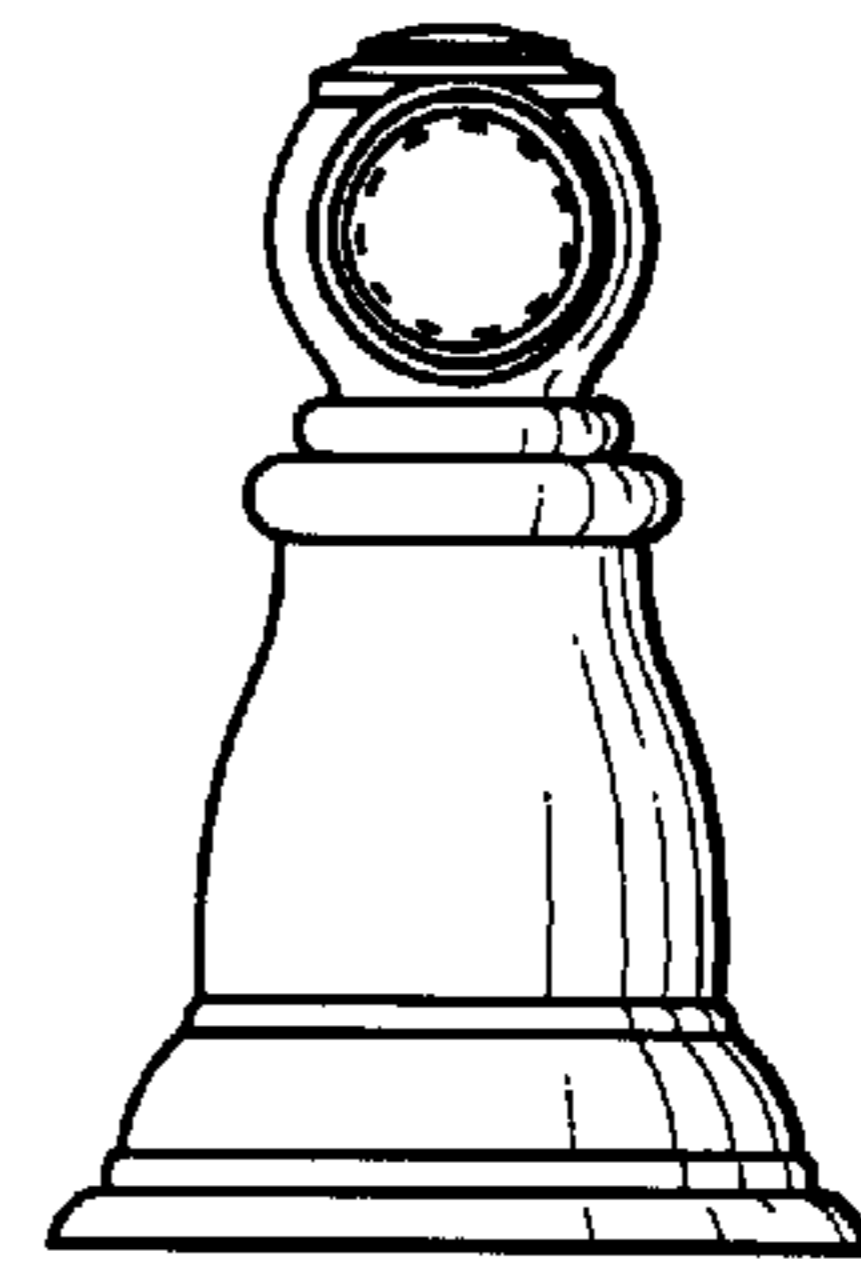
*Fig. 1*



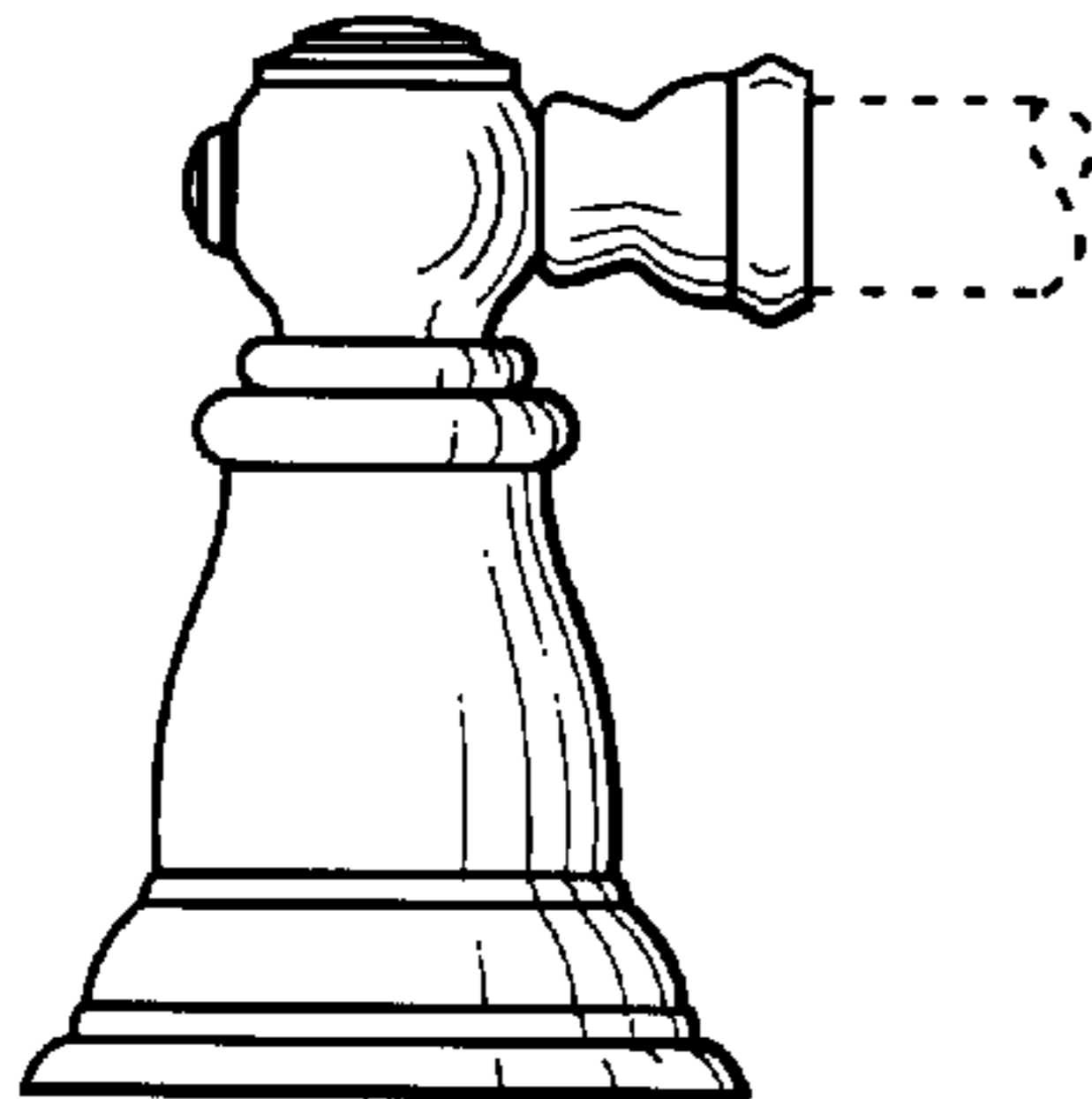
*Fig. 5*



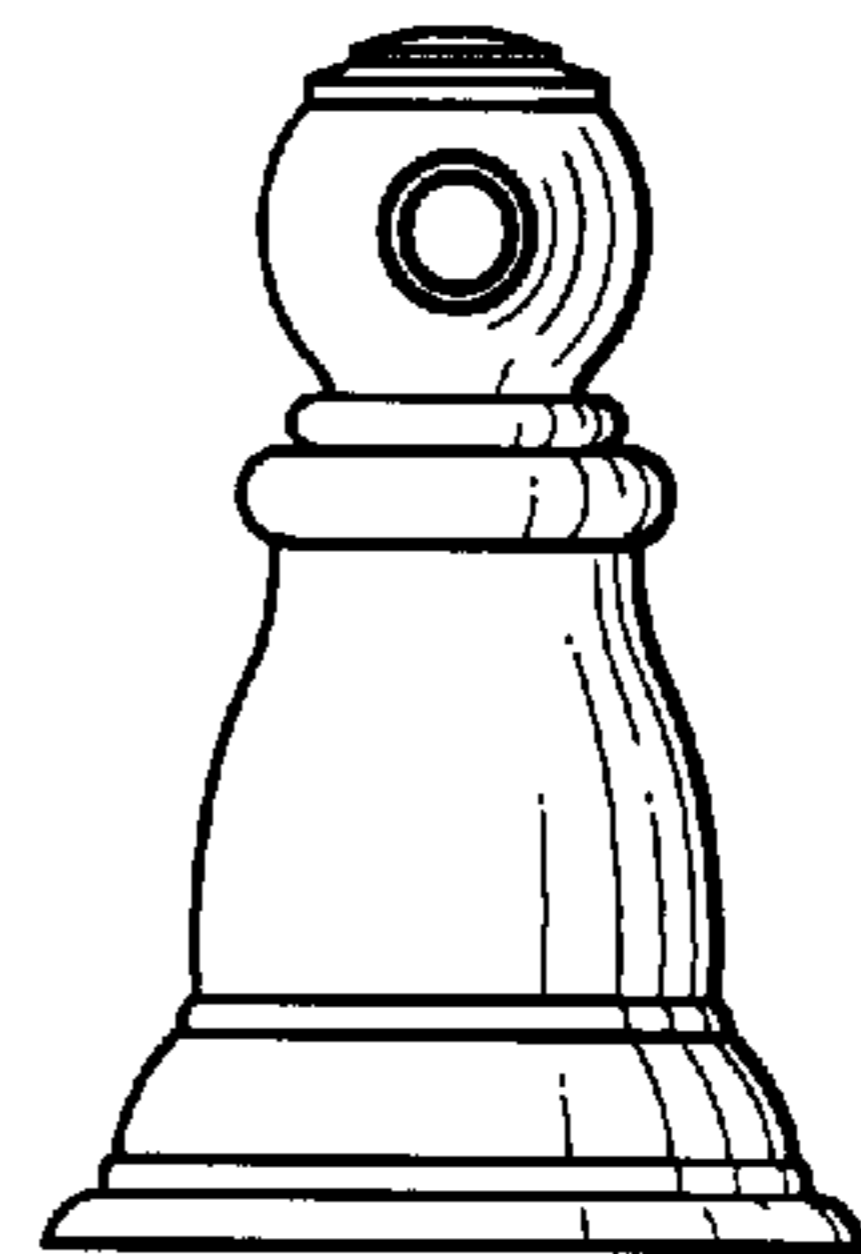
*Fig. 2*



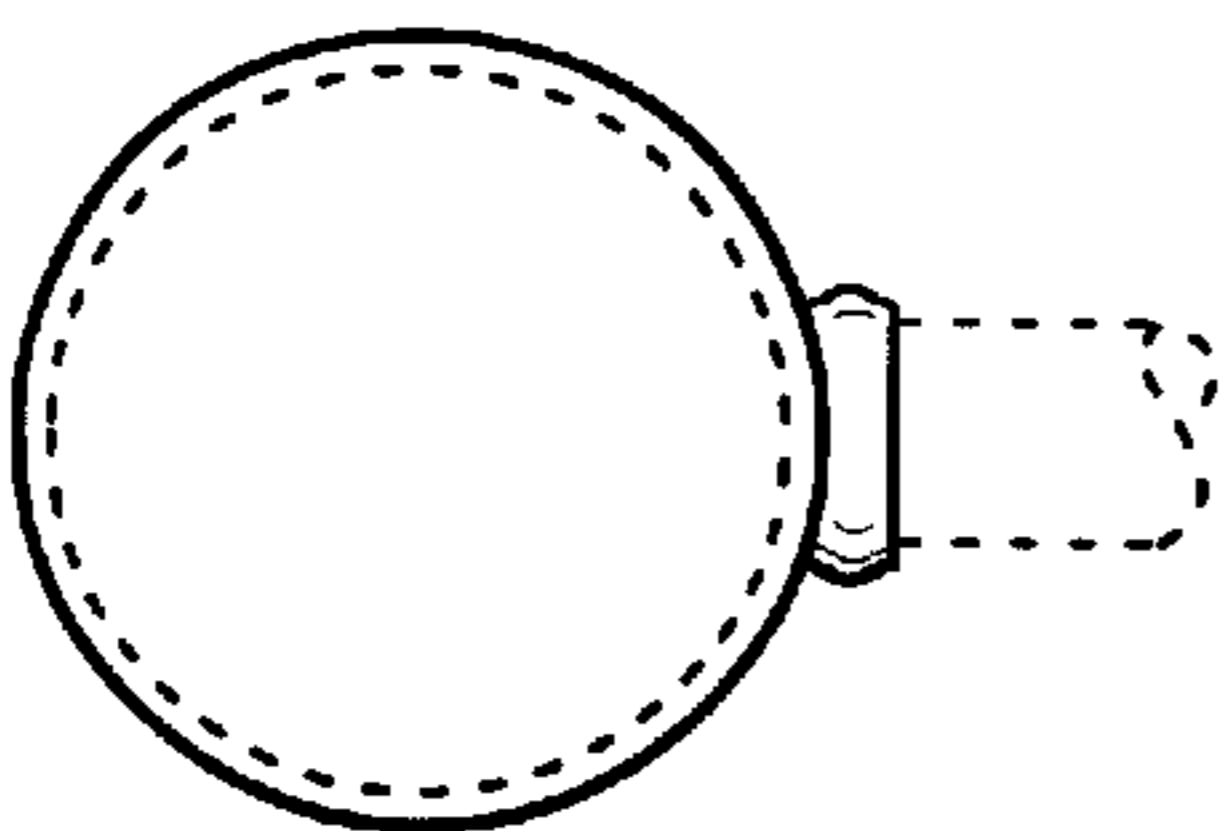
*Fig. 6*



*Fig. 3*



*Fig. 7*



*Fig. 4*