



US00D477485S

(12) **United States Design Patent**
Hoernig

(10) **Patent No.:** **US D477,485 S**

(45) **Date of Patent:** **** Jul. 22, 2003**

(54) **DOUBLE TOWEL BAR**

(75) Inventor: **Victor Hoernig**, Lowell, IN (US)

(73) Assignee: **Bath Unlimited, Inc.**, Fort Mill, SC (US)

(**) Term: **14 Years**

(21) Appl. No.: **29/165,995**

(22) Filed: **Aug. 21, 2002**

(51) **LOC (7) Cl.** **06-04**

(52) **U.S. Cl.** **D6/548**

(58) **Field of Search** D6/546-50, 518-19, D6/522-24; D8/300, 303, 315-21, 354, 363, 373, 380; 108/28-29; 211/13.1, 16, 60.1, 86.01, 87.01, 88.01, 88.04, 100, 105.1-105.2, 119.003, 123, 126.1, 133.6, 134, 181.1, 182; 248/175, 176.1, 200, 214, 251, 302, 309.1; 16/110.1, 412, 415; 242/570, 590, 595-598; 206/389, 557

(56) **References Cited**

U.S. PATENT DOCUMENTS

- D157,015 S * 1/1950 Wheelan D6/548
- D256,862 S * 9/1980 Ryan et al. D6/549

- D327,598 S * 7/1992 Emery D6/549
- D392,138 S * 3/1998 Wu D6/549
- D453,649 S * 2/2002 Hoernig D6/548
- D453,887 S * 2/2002 Meck et al. D6/548
- D455,035 S * 4/2002 Meck et al. D6/548
- D455,309 S * 4/2002 Hoernig D6/548

* cited by examiner

Primary Examiner—Brian N. Vinson

(74) *Attorney, Agent, or Firm*—Edgar A. Zarins; Lloyd D. Doigan

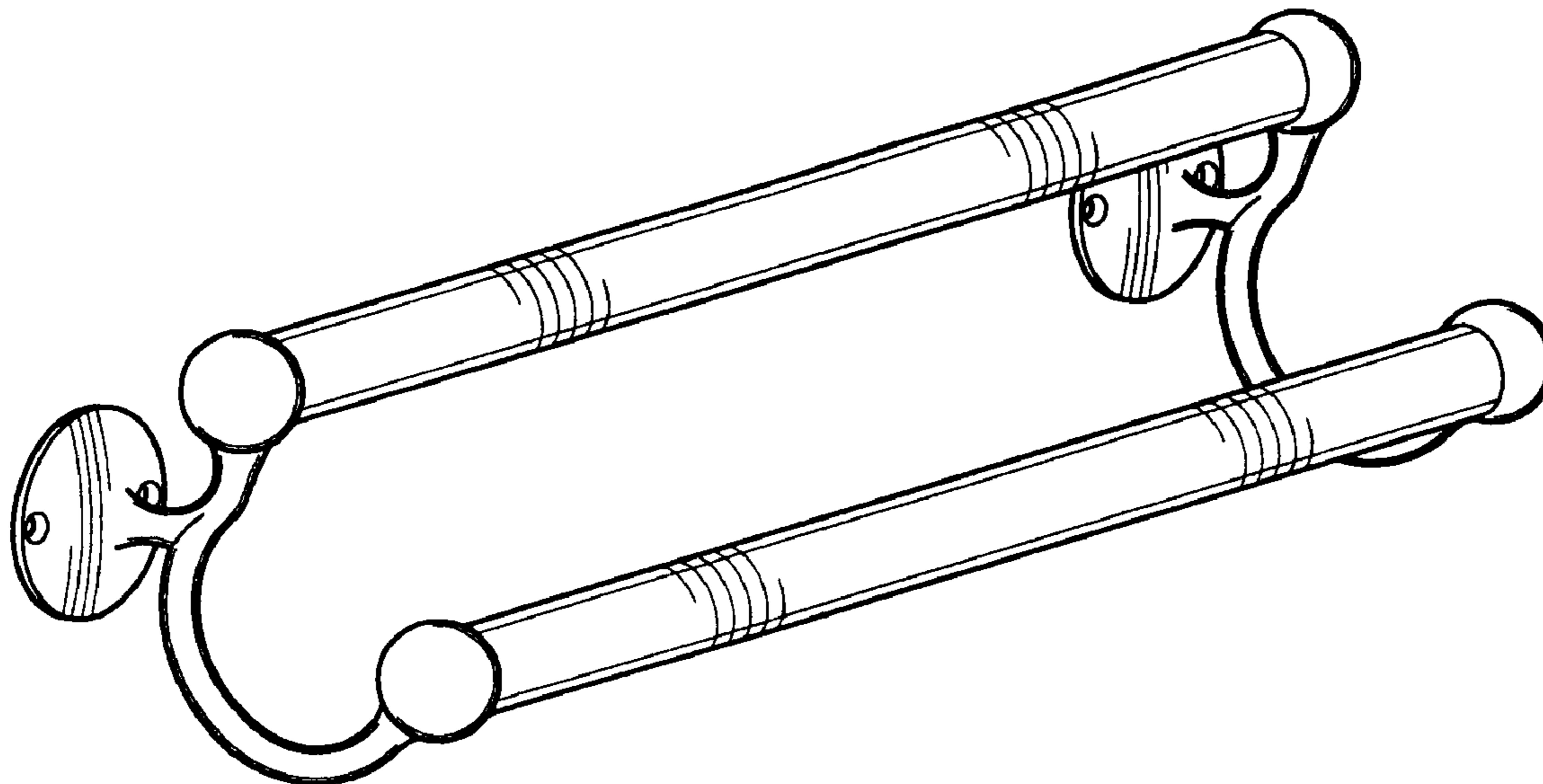
(57) **CLAIM**

The ornamental design for a double towel bar, as shown and described.

DESCRIPTION

FIG. 1 is a perspective view of a double towel bar showing my new design;
 FIG. 2 is front elevational view thereof;
 FIG. 3 is a top plan view thereof;
 FIG. 4 is a bottom plan view thereof;
 FIG. 5 is a rear view thereof; and,
 FIG. 6 is a left end view thereof, the opposite end being a mirror image of the end shown.

1 Claim, 2 Drawing Sheets



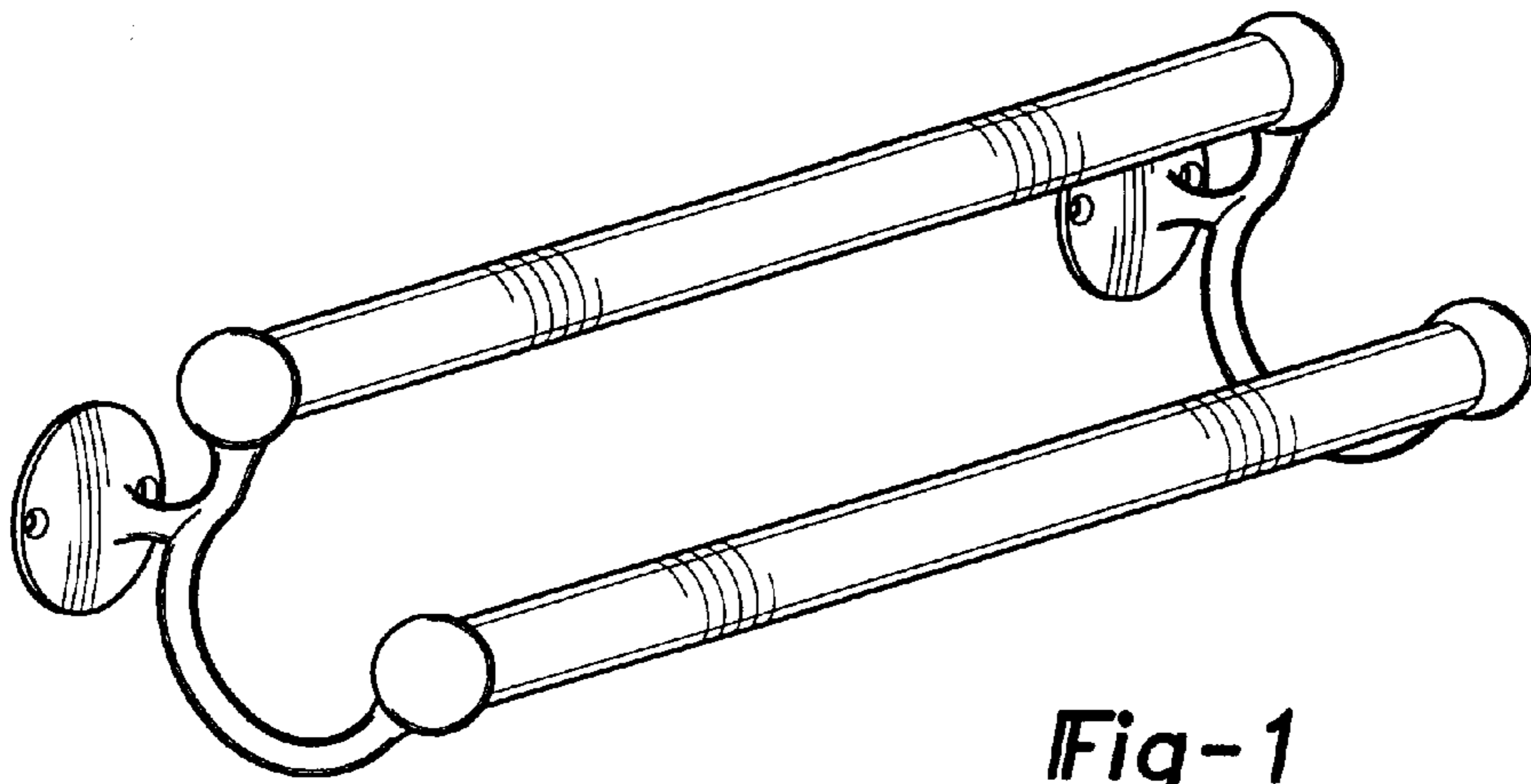


Fig-1

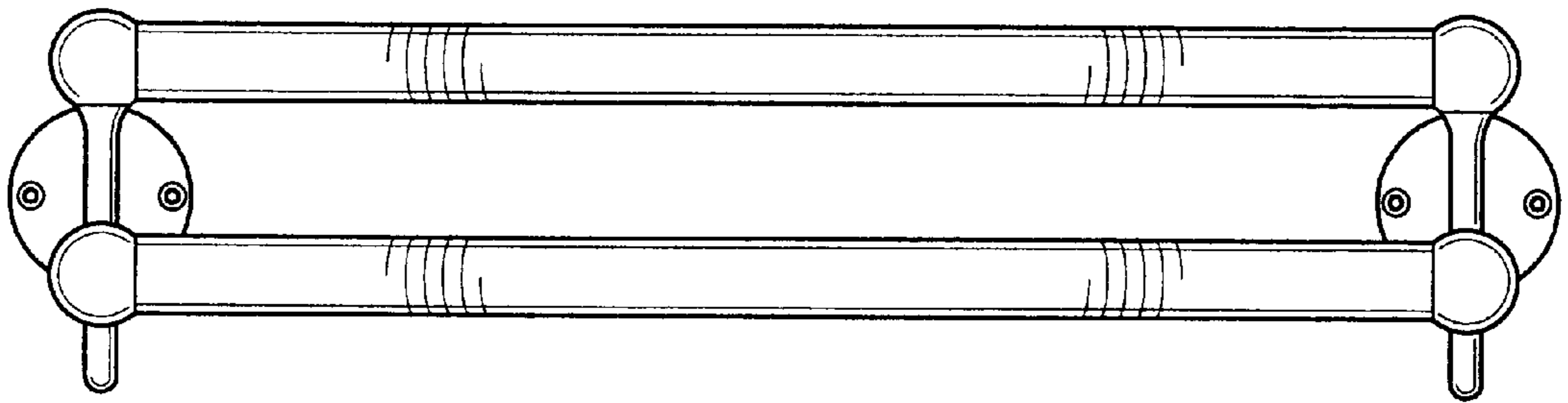


Fig-2

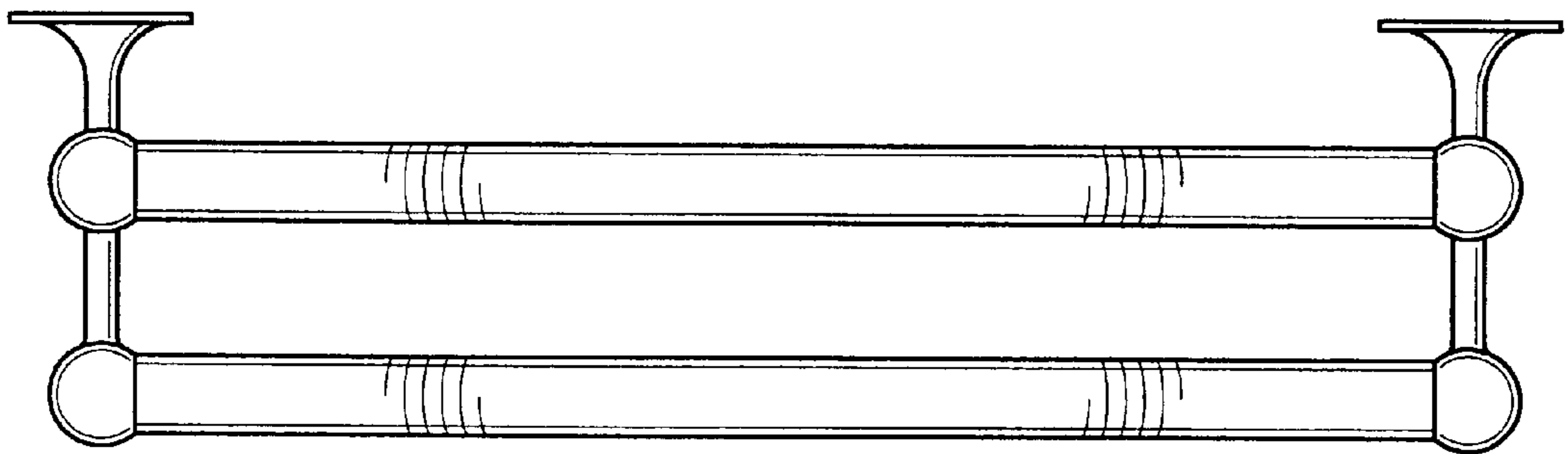


Fig-3

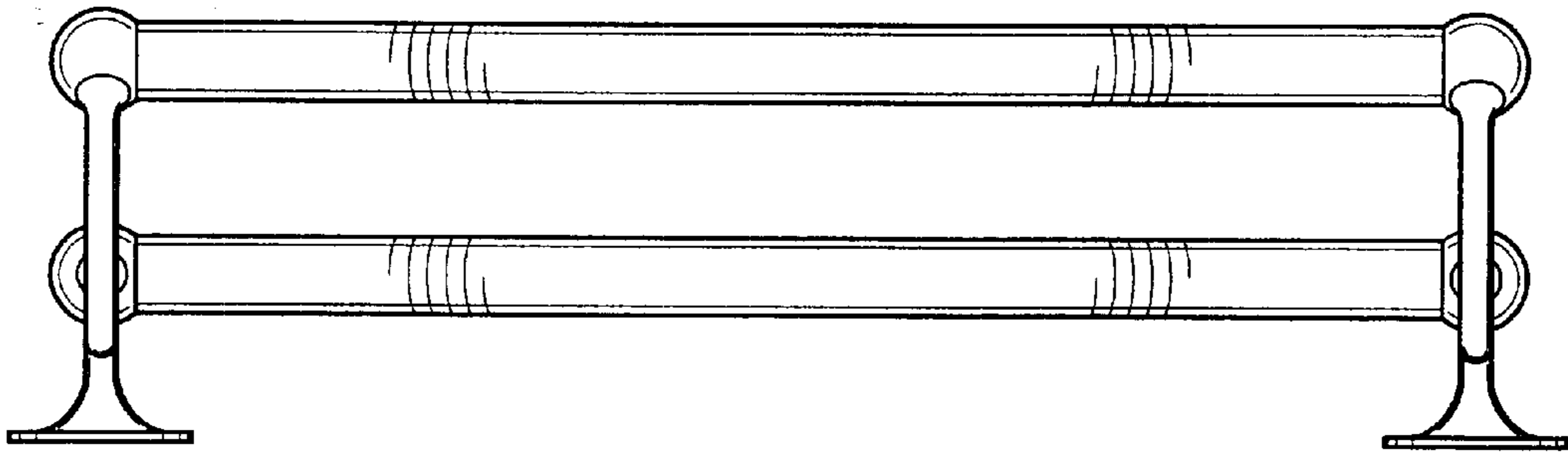


Fig-4

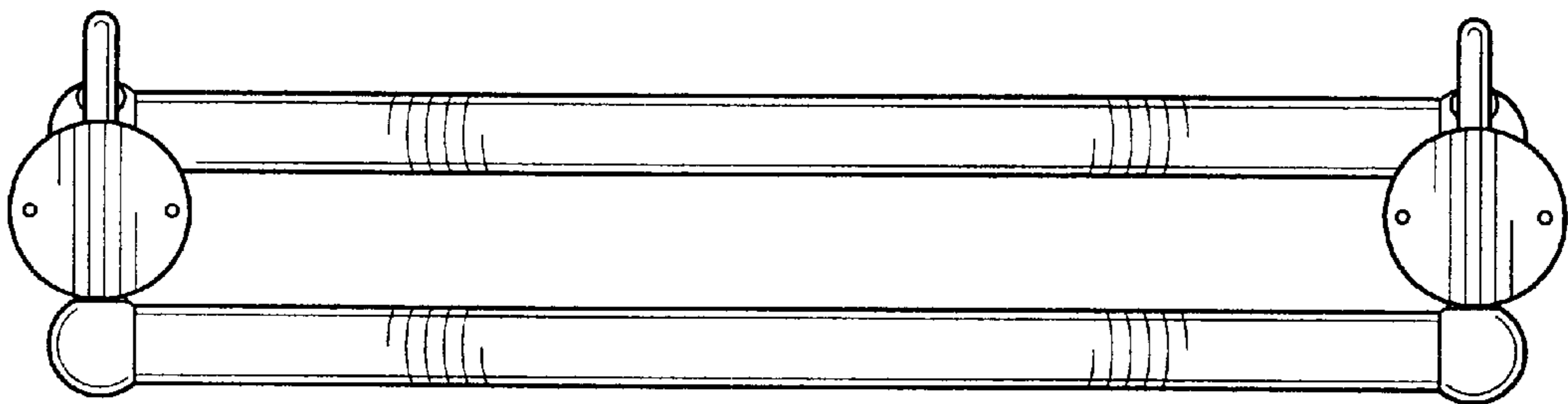


Fig-5

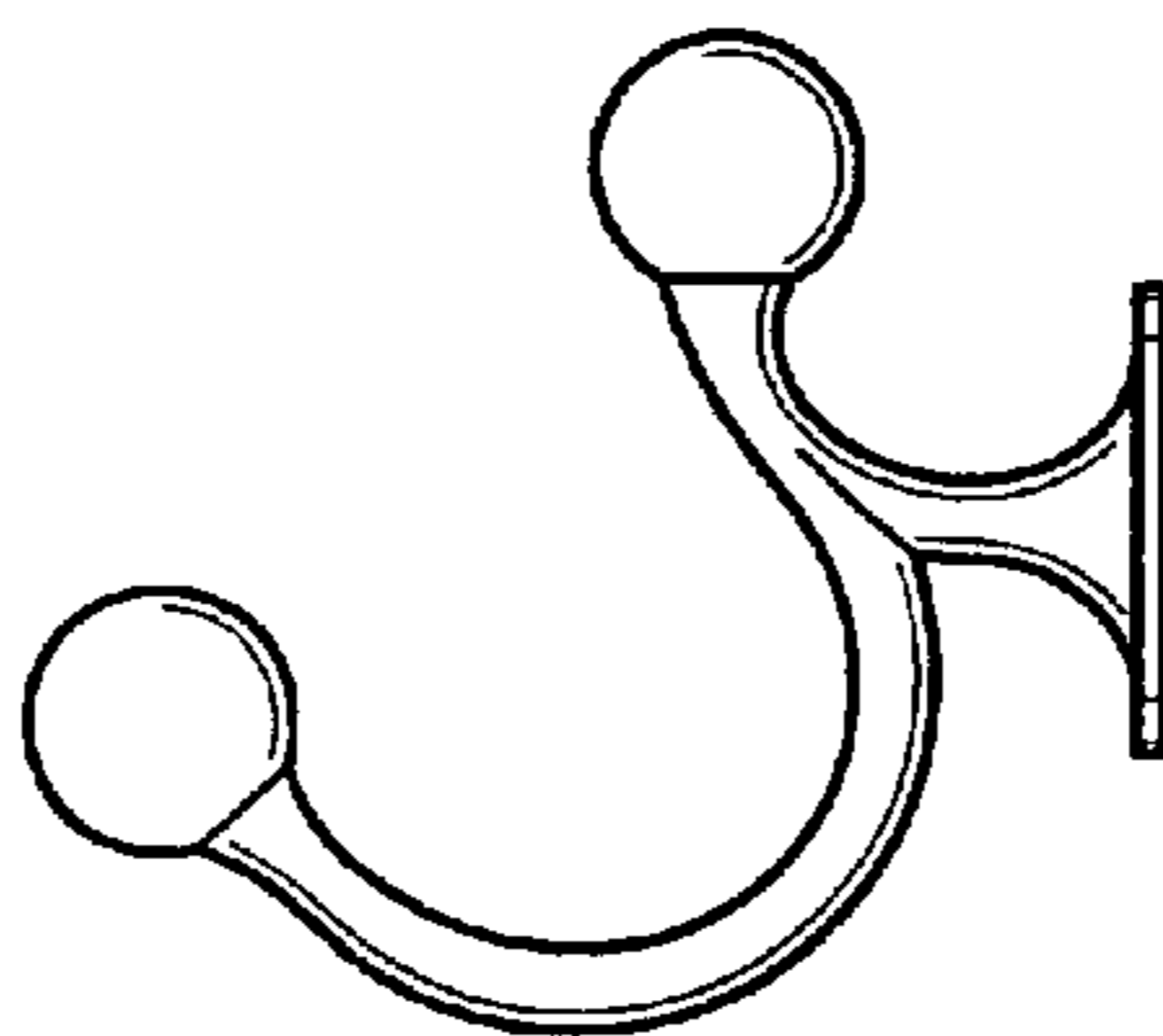


Fig-6