



US00D477484S

(12) **United States Design Patent**
Ouano

(10) **Patent No.:** **US D477,484 S**

(45) **Date of Patent:** **** Jul. 22, 2003**

(54) **TOWEL RING**

(75) **Inventor:** **Magno Ouano**, Jersey City, NJ (US)

(73) **Assignee:** **Bath Unlimited, Inc.**, Passaic, NJ (US)

(**) **Term:** **14 Years**

(21) **Appl. No.:** **29/162,452**

(22) **Filed:** **Jun. 14, 2002**

(51) **LOC (7) Cl.** **06-04**

(52) **U.S. Cl.** **D6/546**

(58) **Field of Search** D6/546-50, 518-19,
D6/522-24; D8/300, 303, 307, 315-21,
354, 363, 373, 380; 108/28-29; 211/13.1,
16, 60.1, 86.01, 87.01, 88.01, 88.04, 100,
105.1-105.2, 119.003, 123, 126.1, 133.6,
134, 181.1, 182; 248/175, 176.1, 200, 214,
251, 302, 309.1; 16/110.1, 412, 415; 242/570,
590, 595-598; 206/389, 557

(56) **References Cited**

U.S. PATENT DOCUMENTS

D42,459 S * 5/1912 Farr D6/546
D97,398 S * 11/1935 Levett D6/523
D441,582 S * 5/2001 Moore D6/546

D450,509 S * 11/2001 Gottwald D6/546
D454,745 S * 3/2002 Wright D6/550
D455,926 S * 4/2002 Ou-Young D6/546
D463,936 S * 10/2002 Chen D6/550
D464,834 S * 10/2002 Yen D6/546
D465,368 S * 11/2002 Moore D6/546
D465,369 S * 11/2002 Moore D6/546

* cited by examiner

Primary Examiner—Brian N. Vinson

(74) *Attorney, Agent, or Firm*—Edgar A. Zarins; Lloyd D. Doigan

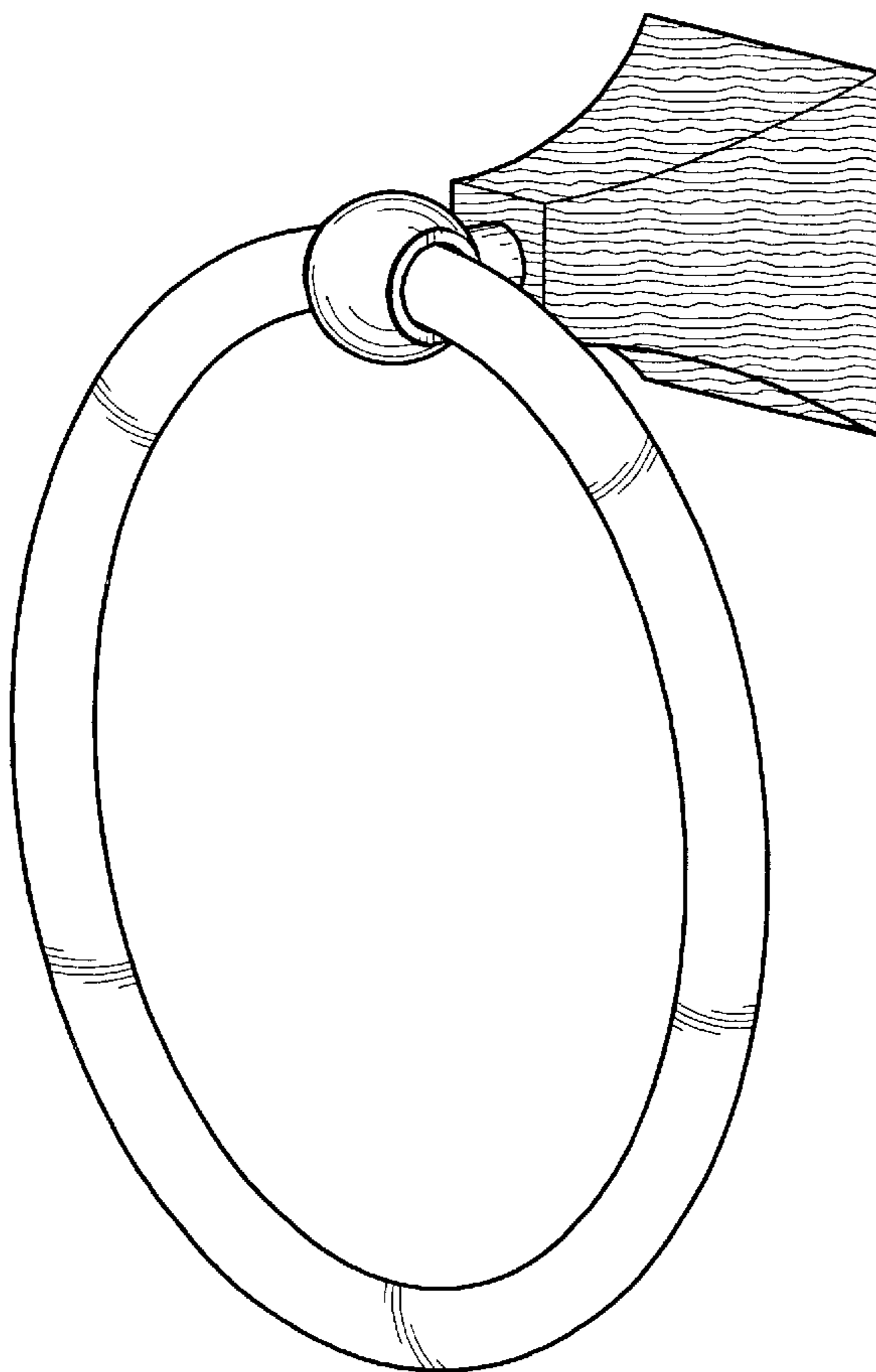
(57) **CLAIM**

The ornamental design for a towel ring, as shown and described.

DESCRIPTION

FIG. 1 is a perspective view of a towel ring showing my new design;
FIG. 2 is a top plan view thereof;
FIG. 3 is a front elevational view thereof;
FIG. 4 is a bottom plan view thereof;
FIG. 5 is a left side view thereof;
FIG. 6 is a right side view thereof; and,
FIG. 7 is a rear view thereof.

1 Claim, 4 Drawing Sheets



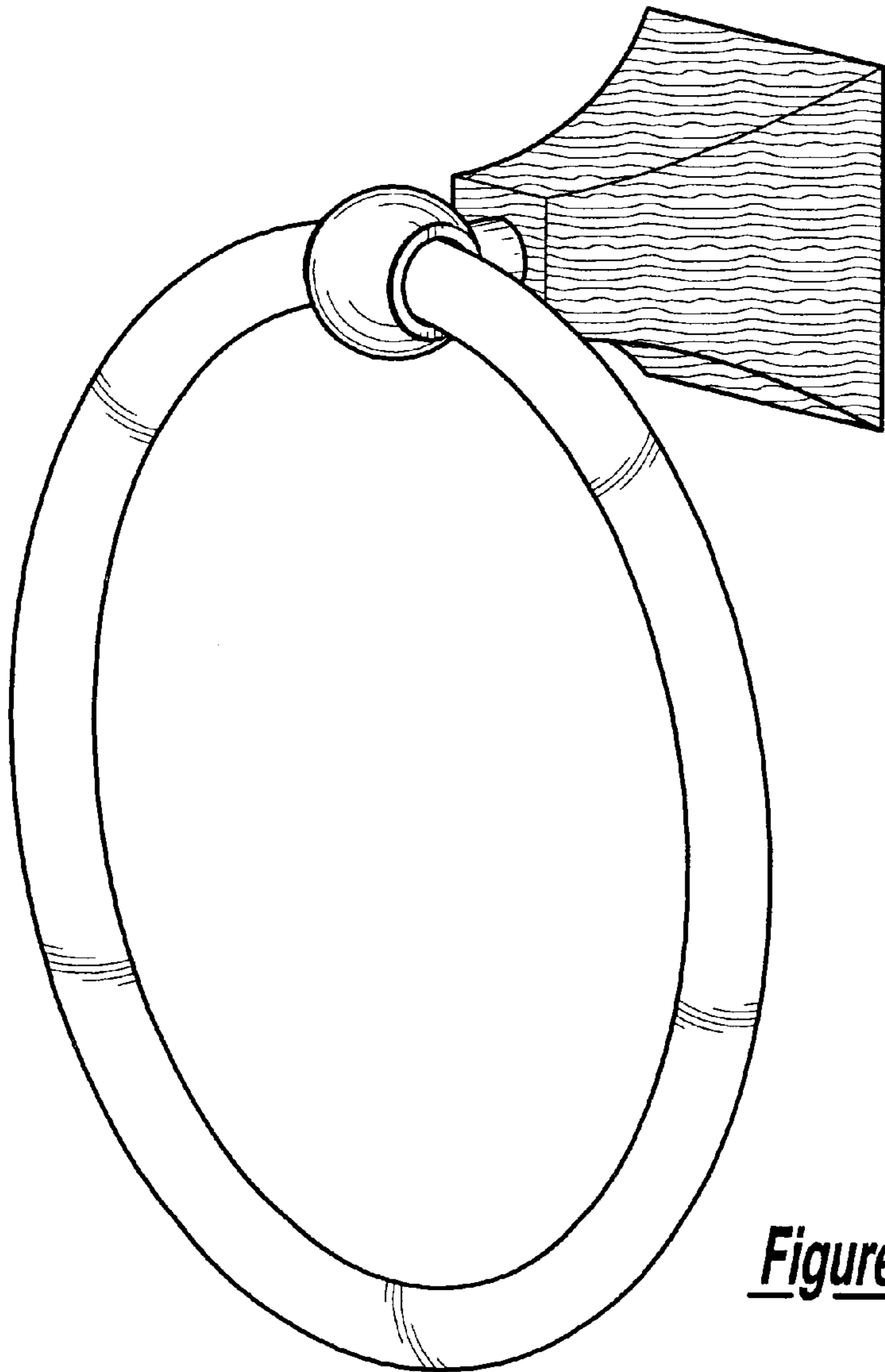


Figure - 1

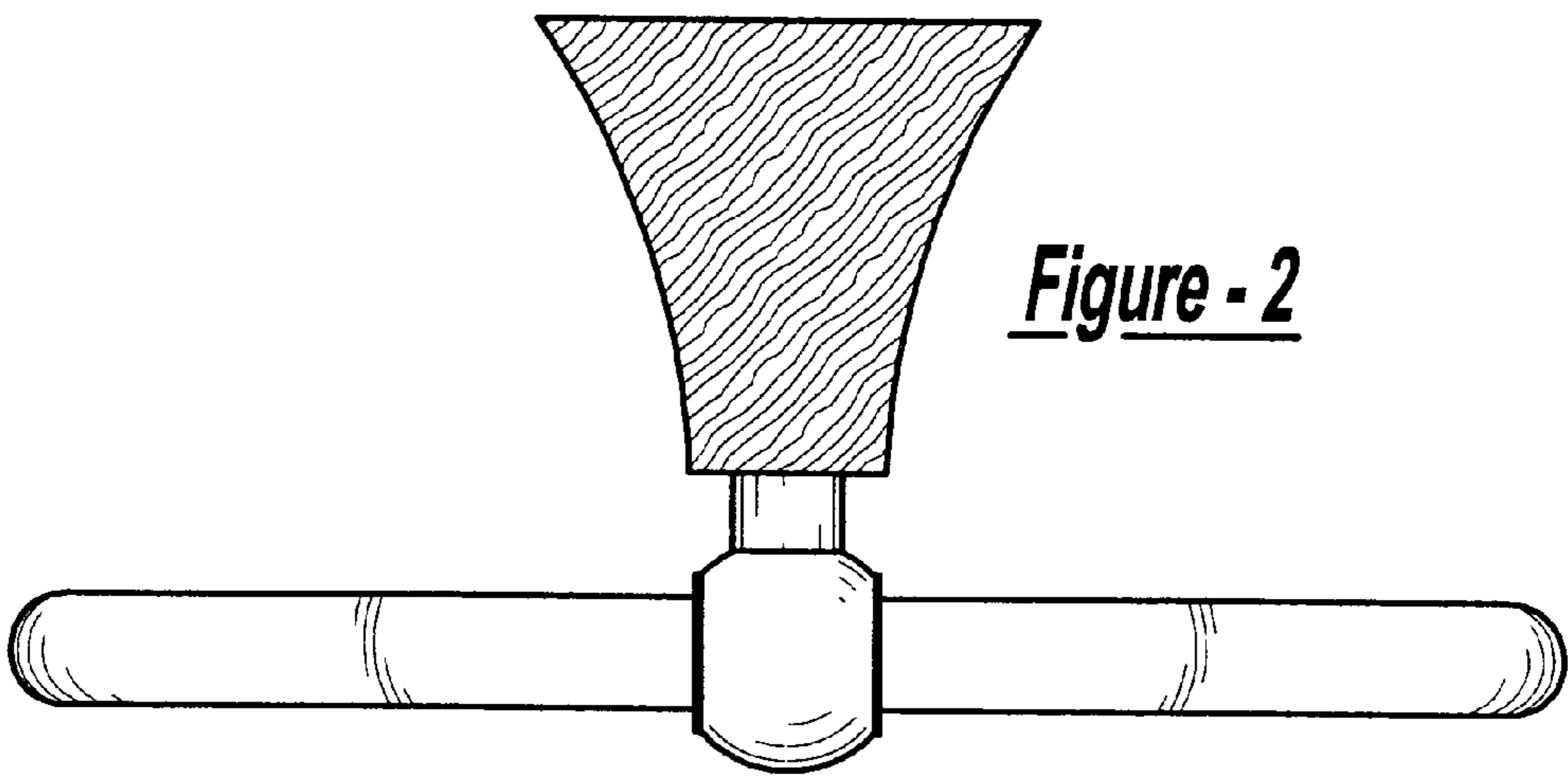


Figure - 2

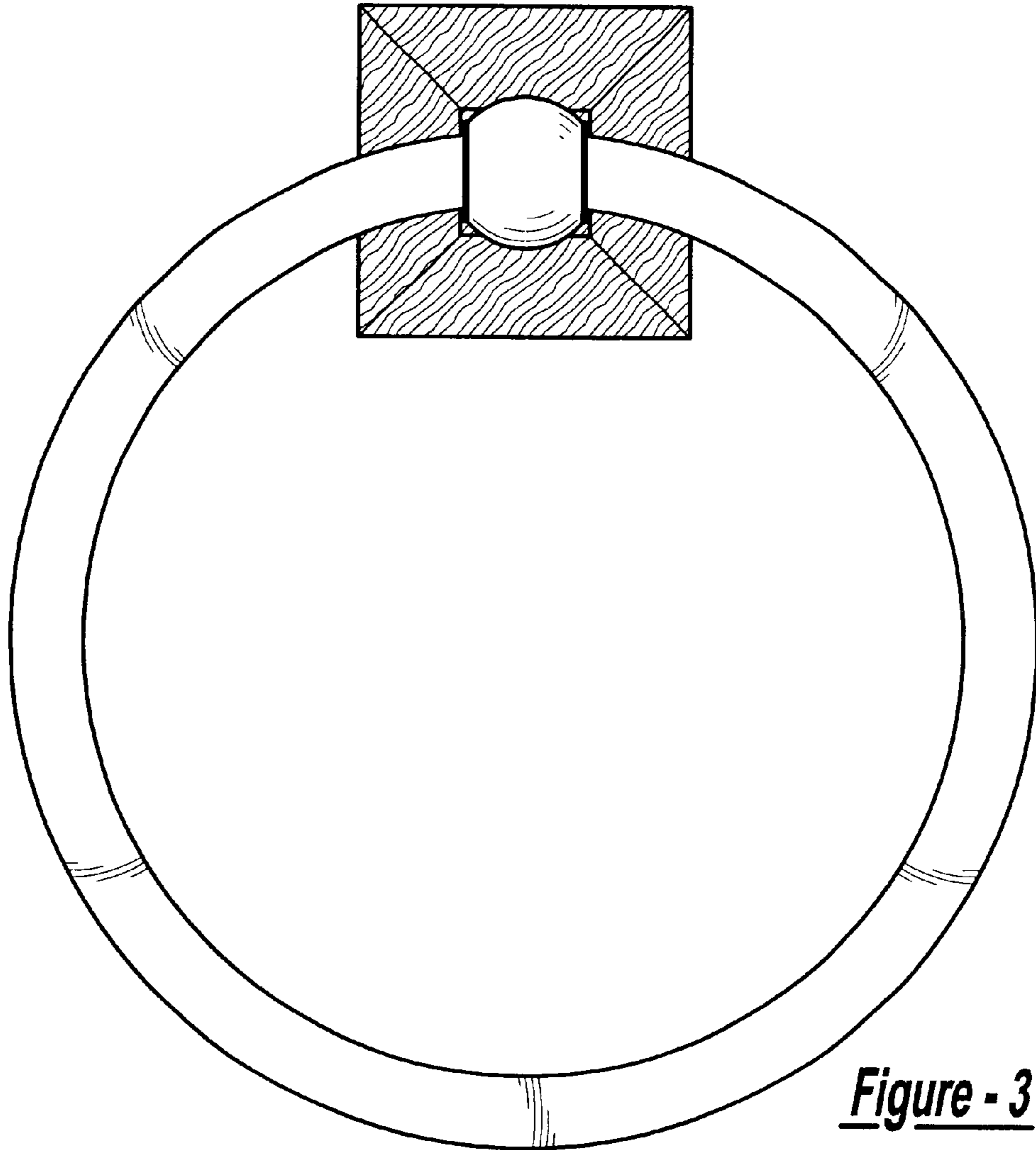


Figure - 3

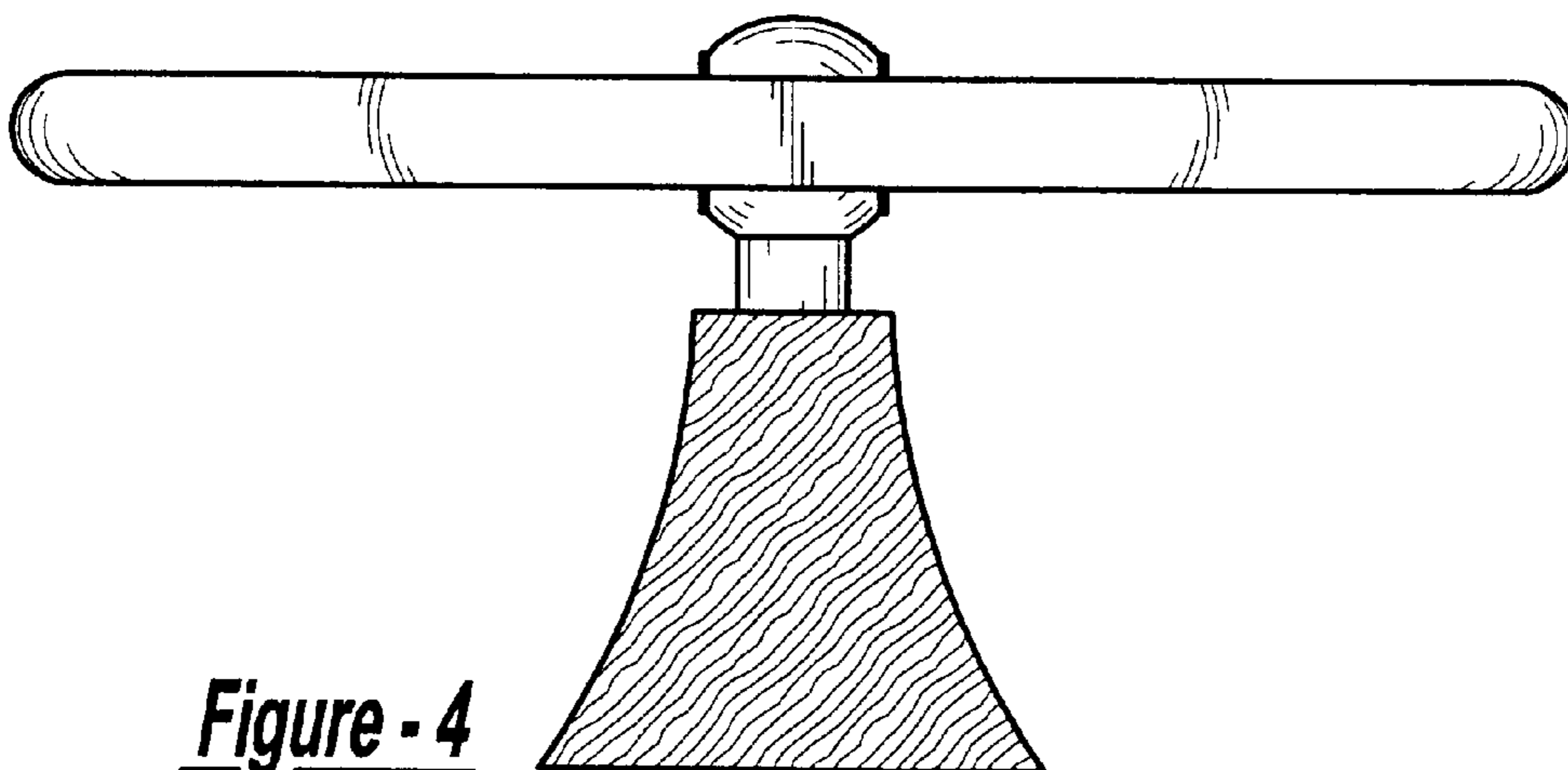


Figure - 4

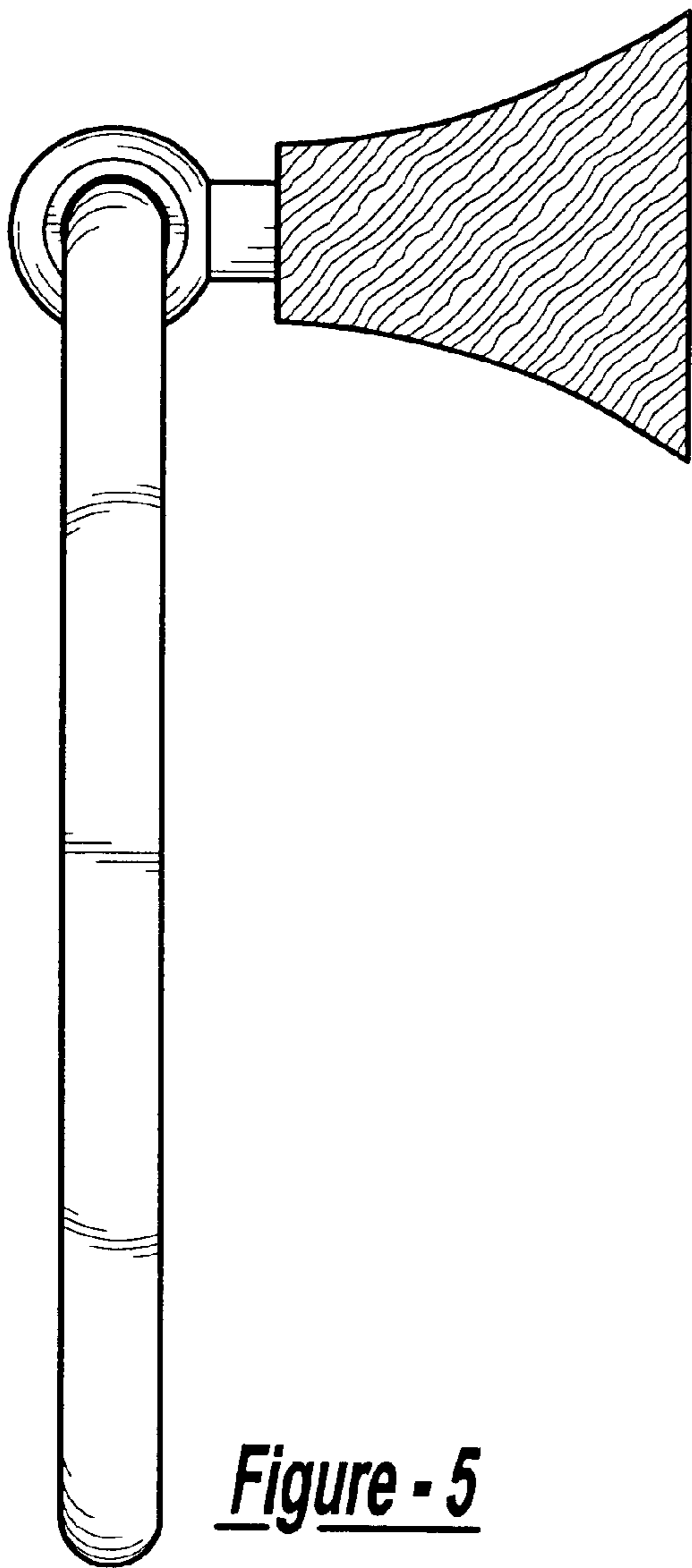


Figure - 5

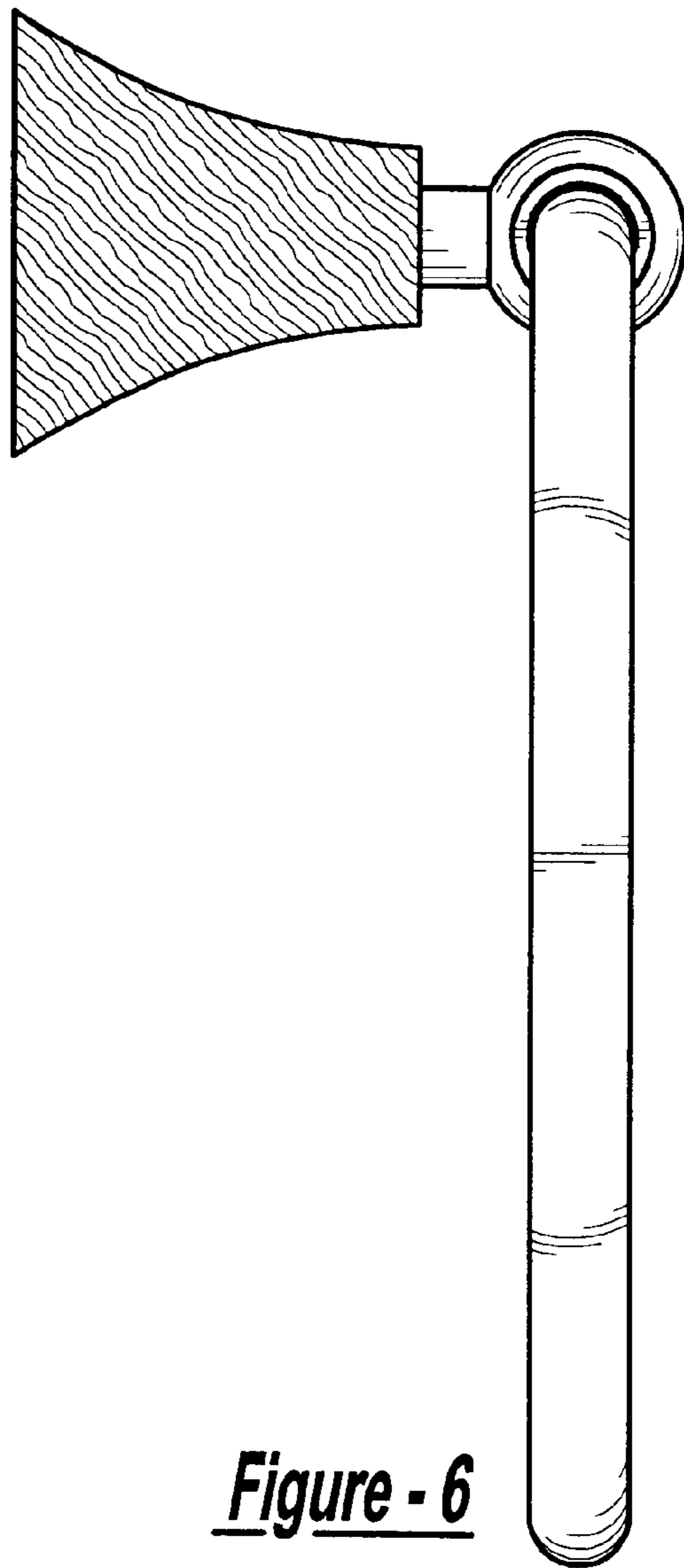


Figure - 6

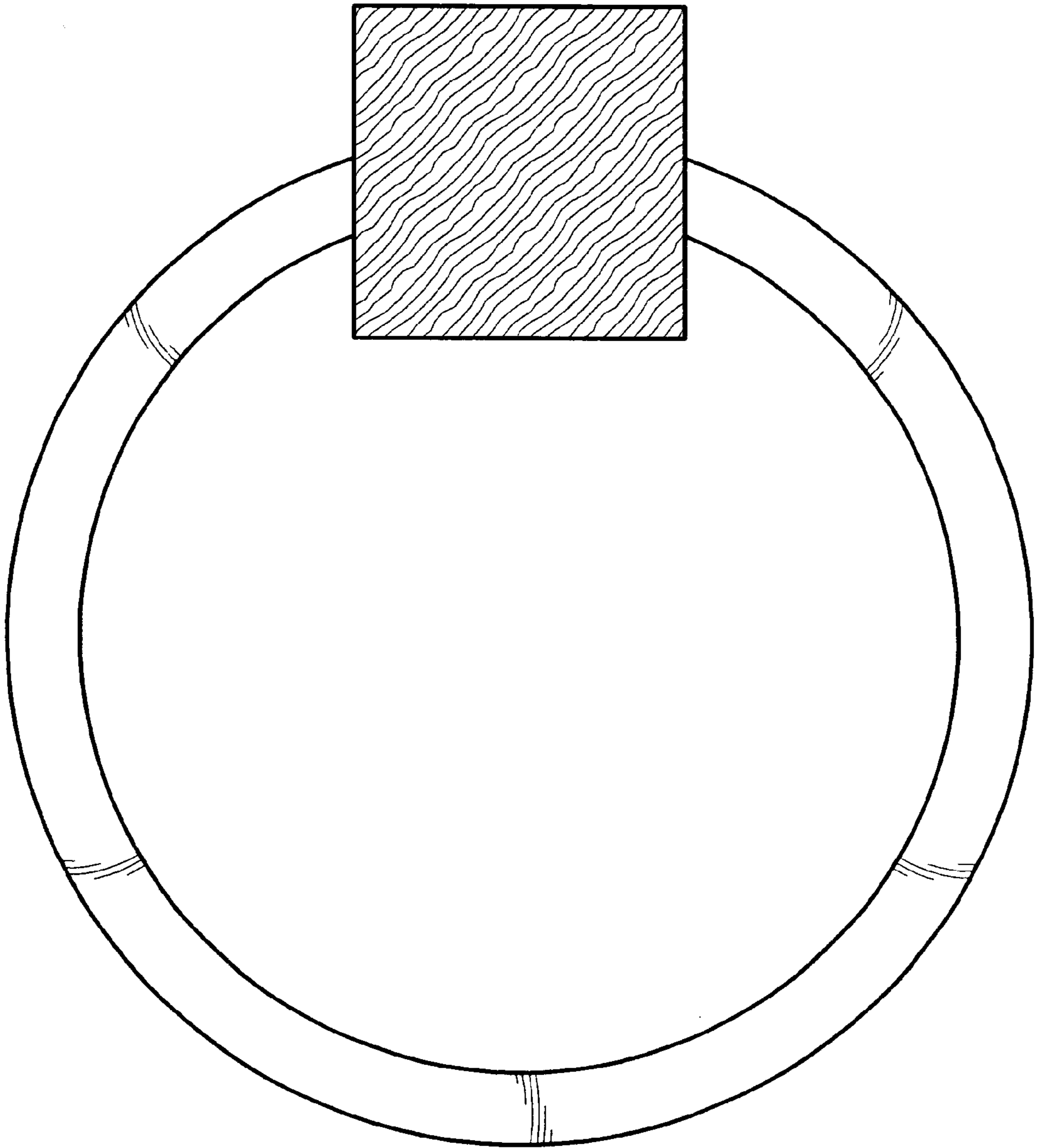


Figure - 7