



US00D477483S

(12) **United States Design Patent**  
**Brown et al.**

(10) **Patent No.:** **US D477,483 S**  
(45) **Date of Patent:** **\*\* Jul. 22, 2003**

(54) **TOILET PLUNGER HOLDER**

(76) Inventors: **Stephen J. Brown**, 271 N. Winfred Ave., Bolivar, MO (US) 65613; **Renee M. Jarrell-Brown**, 271 N. Winfred Ave., Bolivar, MO (US) 65613

(\*\*) Term: **14 Years**

(21) Appl. No.: **29/172,037**

(22) Filed: **Dec. 4, 2002**

(51) **LOC (7) Cl.** ..... **23-02**

(52) **U.S. Cl.** ..... **D6/524; D6/551**

(58) **Field of Search** ..... **D6/524, 551; 206/207, 206/209, 209.1, 349, 361, 362.2, 362.3, 15.1, 15.3; 312/206**

(56) **References Cited**

**U.S. PATENT DOCUMENTS**

D368,820 S	*	4/1996	Sander	.....	D6/551
D413,470 S	*	9/1999	Burton	.....	D6/551
D449,951 S	*	11/2001	Schmidt et al.	.....	D6/524
D450,964 S	*	11/2001	Johnson	.....	D6/524
D452,401 S	*	12/2001	Schmidt et al.	.....	D6/524
D453,888 S	*	2/2002	Gottwald	.....	D6/551
D467,457 S	*	12/2002	Lin	.....	D6/551

\* cited by examiner

*Primary Examiner*—Brian N. Vinson  
(74) *Attorney, Agent, or Firm*—Martin & Associates, L.L.C.; Derek P. Martin

(57) **CLAIM**

The ornamental design for a toilet plunger holder, as shown and described.

**DESCRIPTION**

FIG. 1 is a perspective view of a toilet plunger holder showing my new design, with the toilet plunger holder in an open position;

FIG. 2 is a perspective view thereof in a closed position, with a handle of a toilet plunger being shown in phantom and not forming any part of the design;

FIG. 3 is a front view thereof in the closed position, with the rear view being identical;

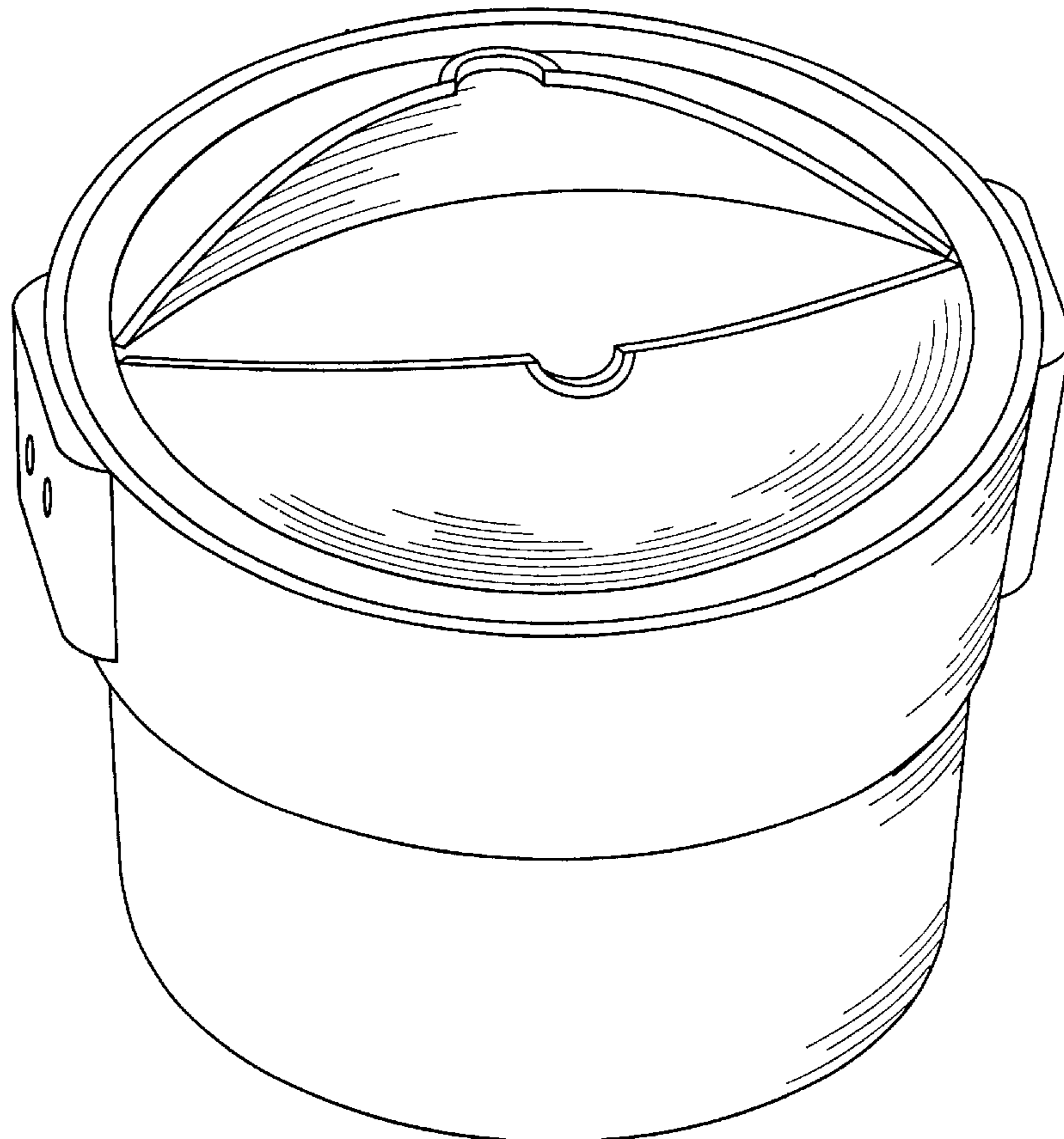
FIG. 4 is a side view thereof in the closed position, with the opposing side view being identical;

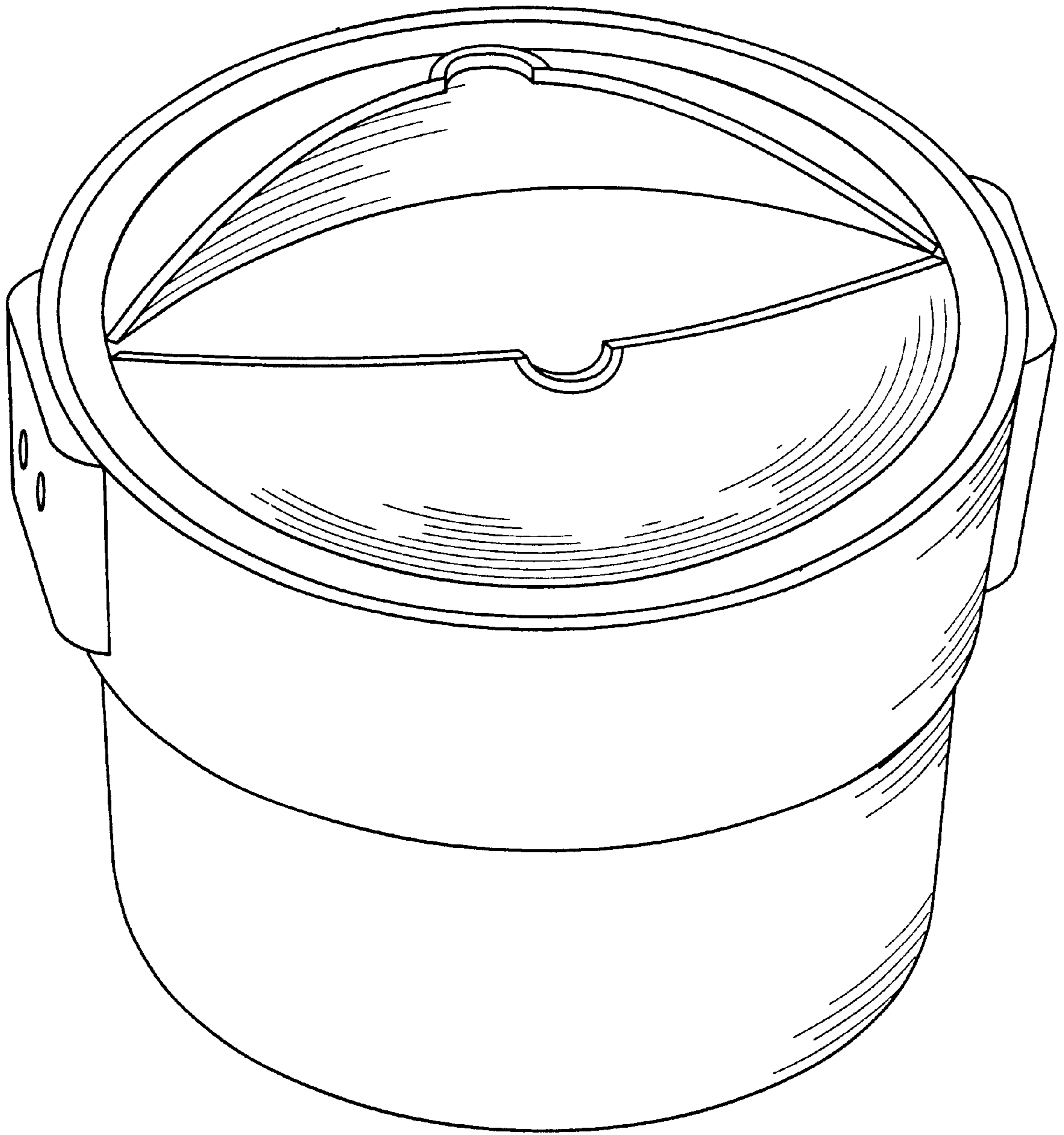
FIG. 5 is a top view thereof in the closed position;

FIG. 6 is a bottom view thereof in the closed position; and,

FIG. 7 is a vertical cross-sectional view thereof in the open position.

**1 Claim, 5 Drawing Sheets**





**FIG. 1**

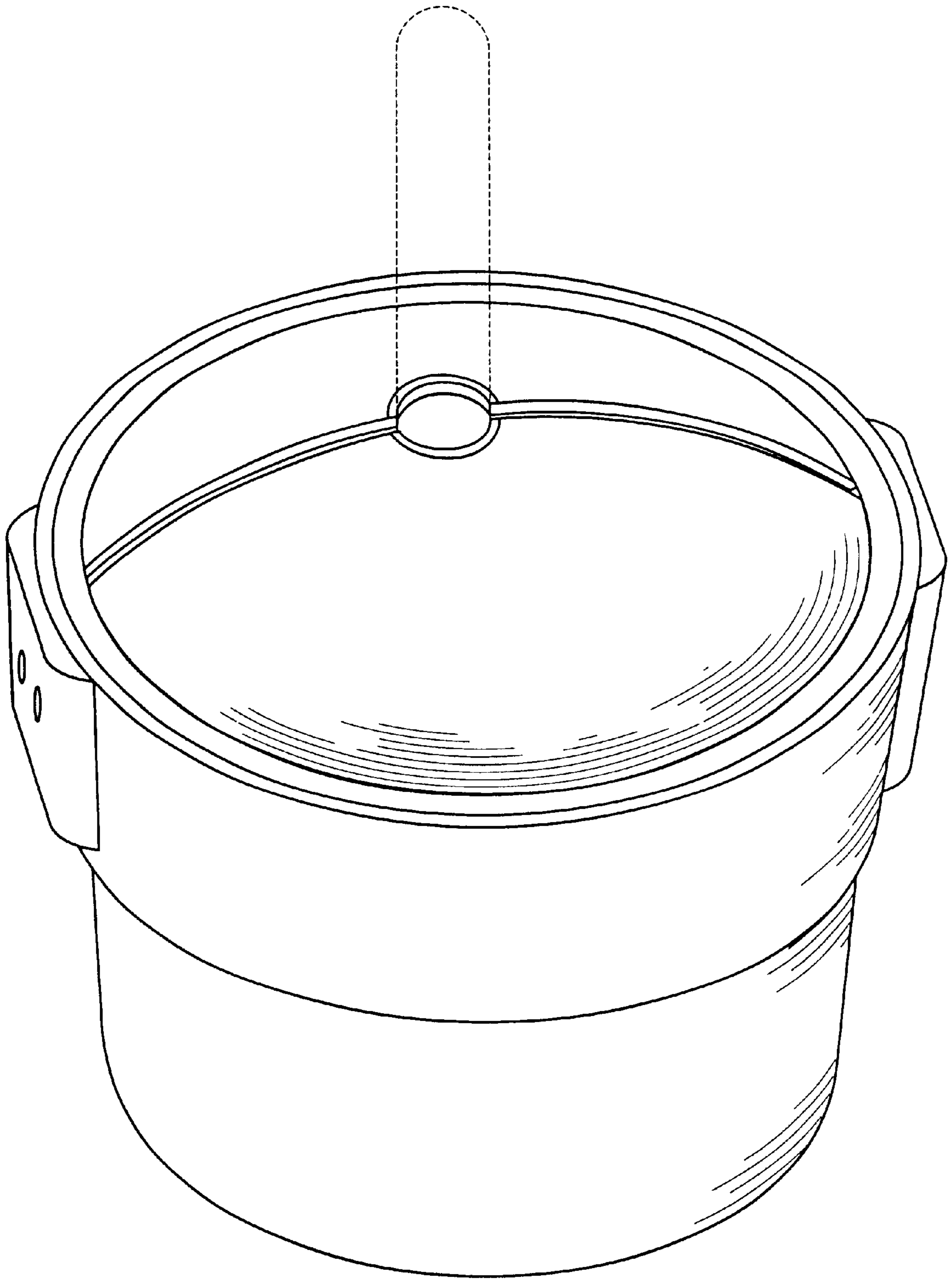
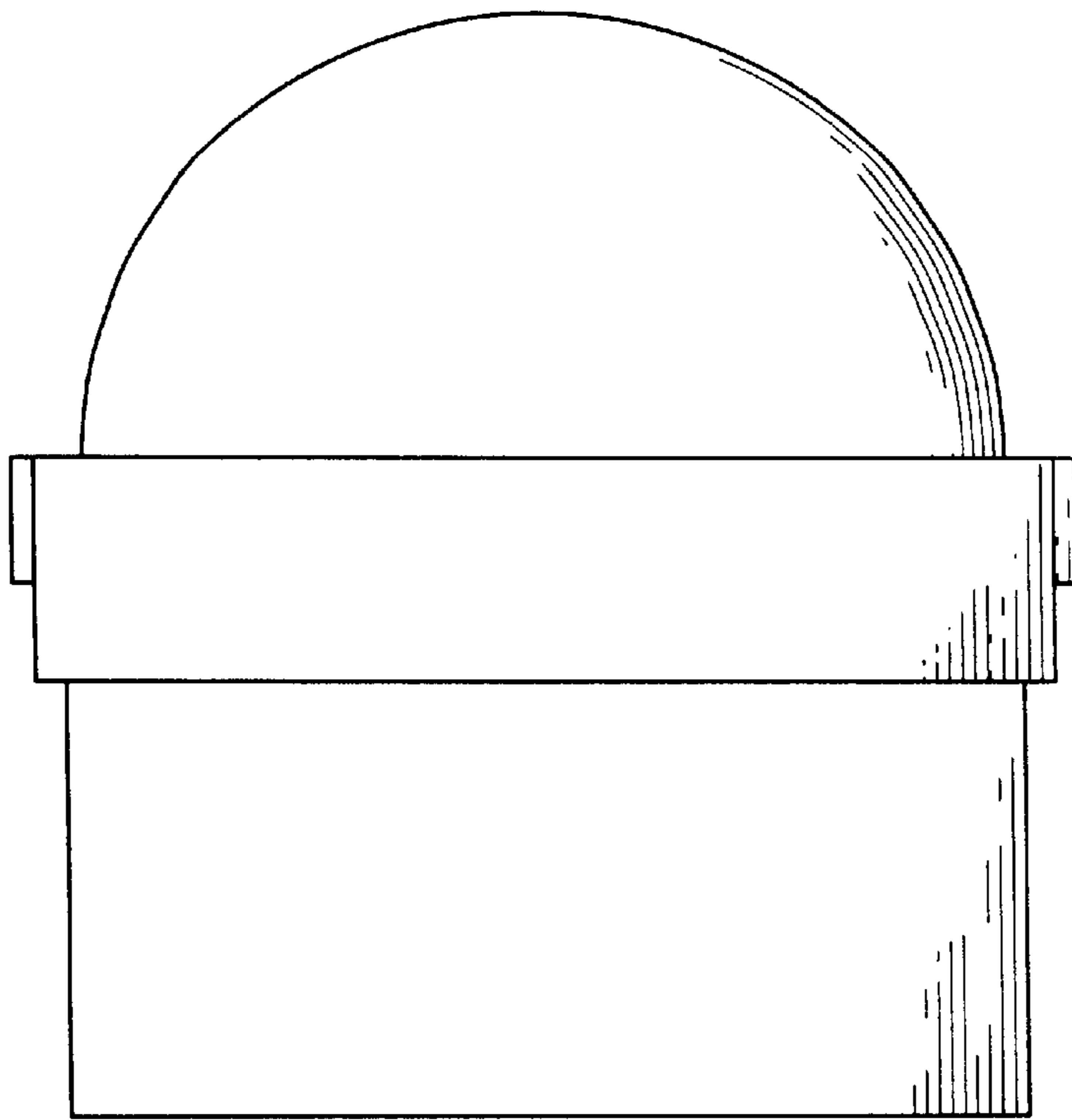
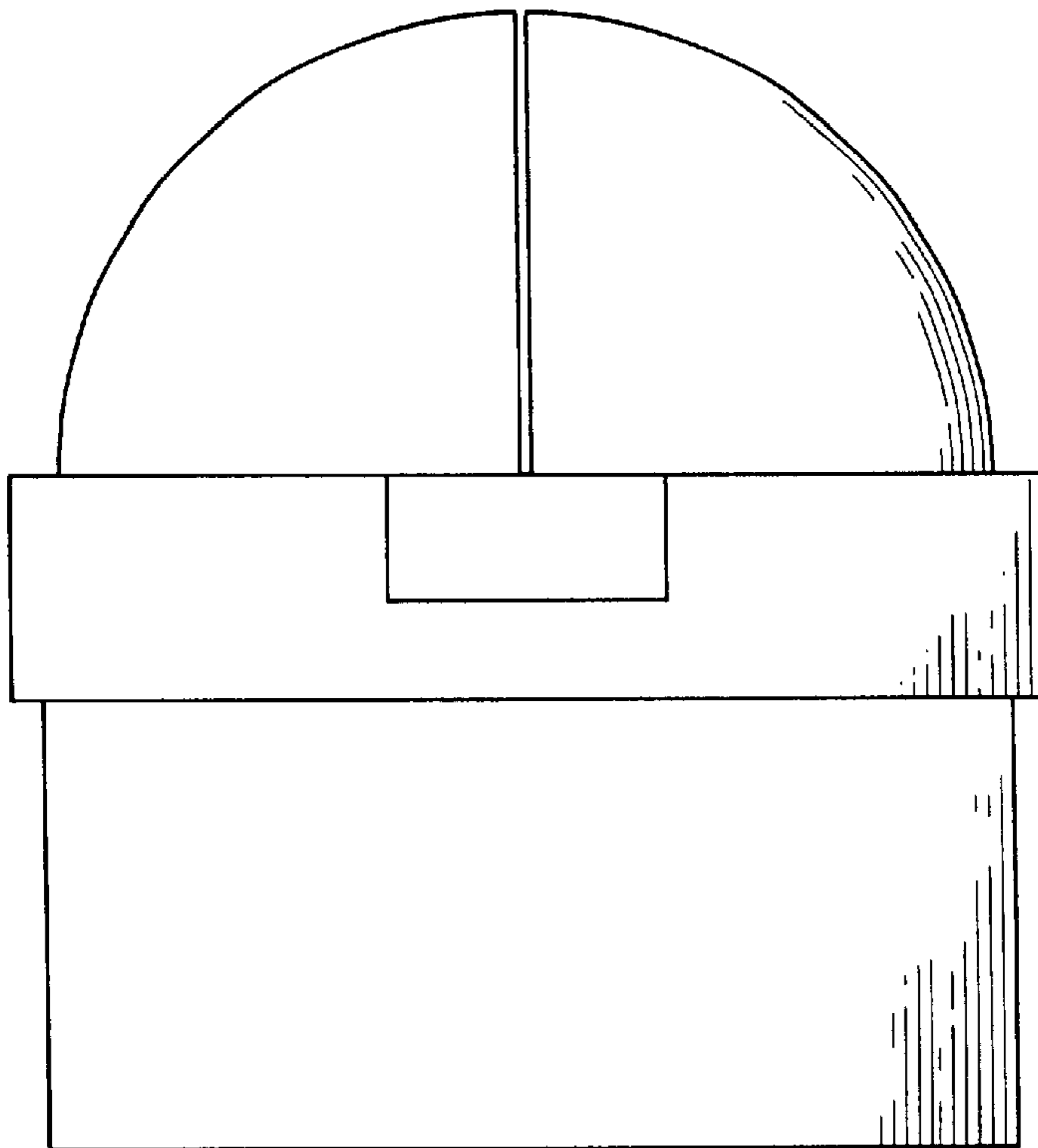


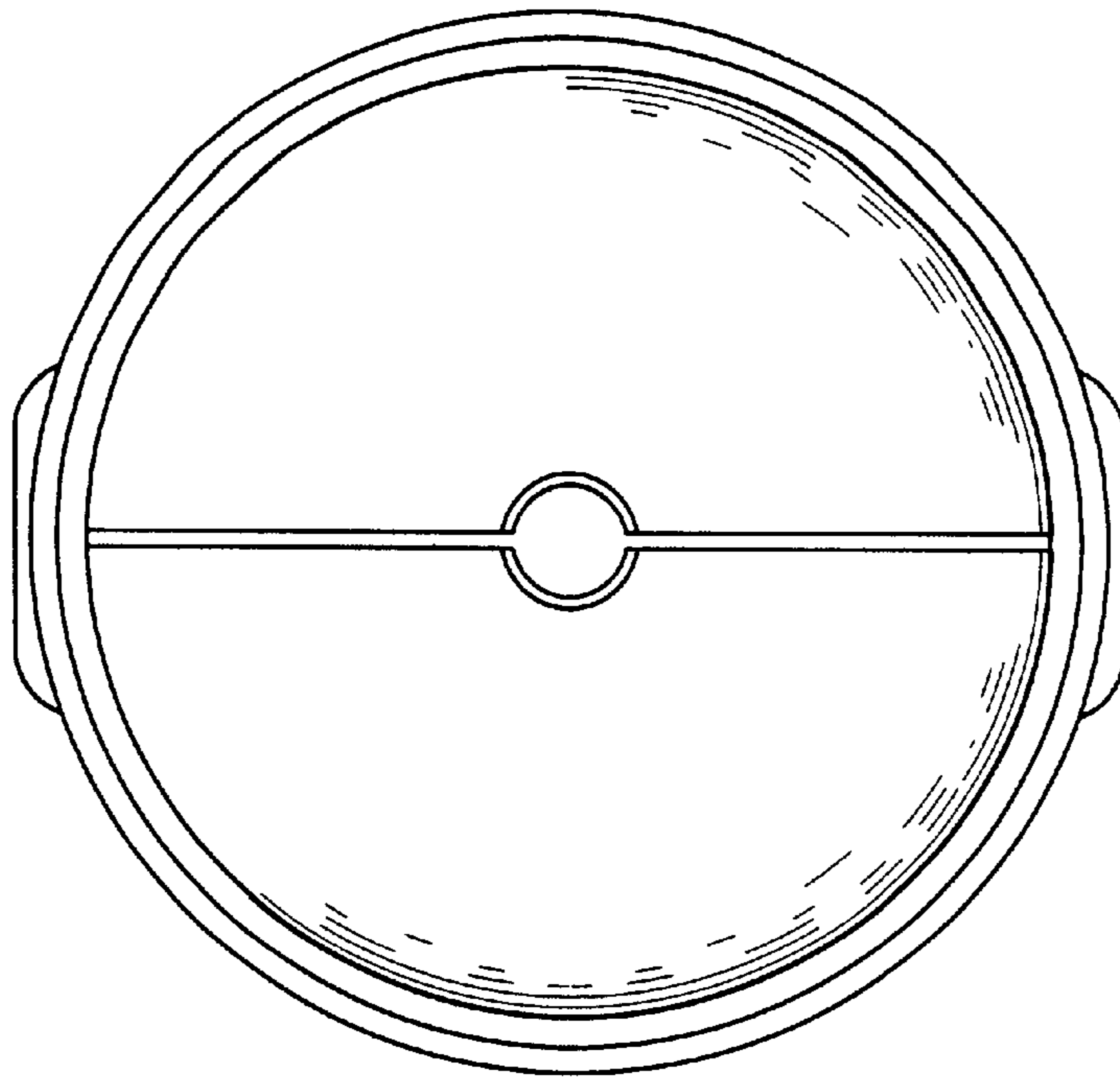
FIG. 2



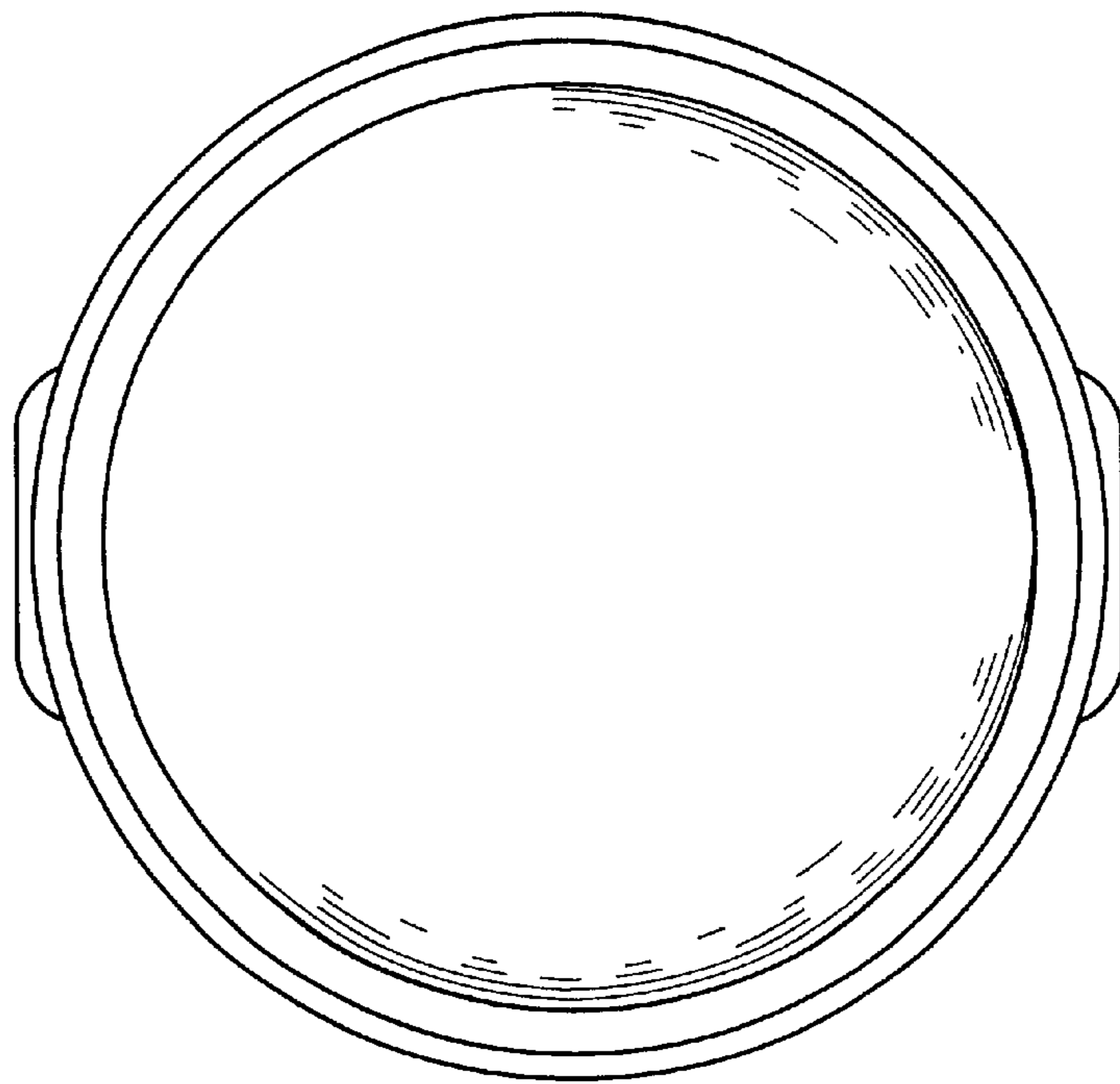
**FIG. 3**



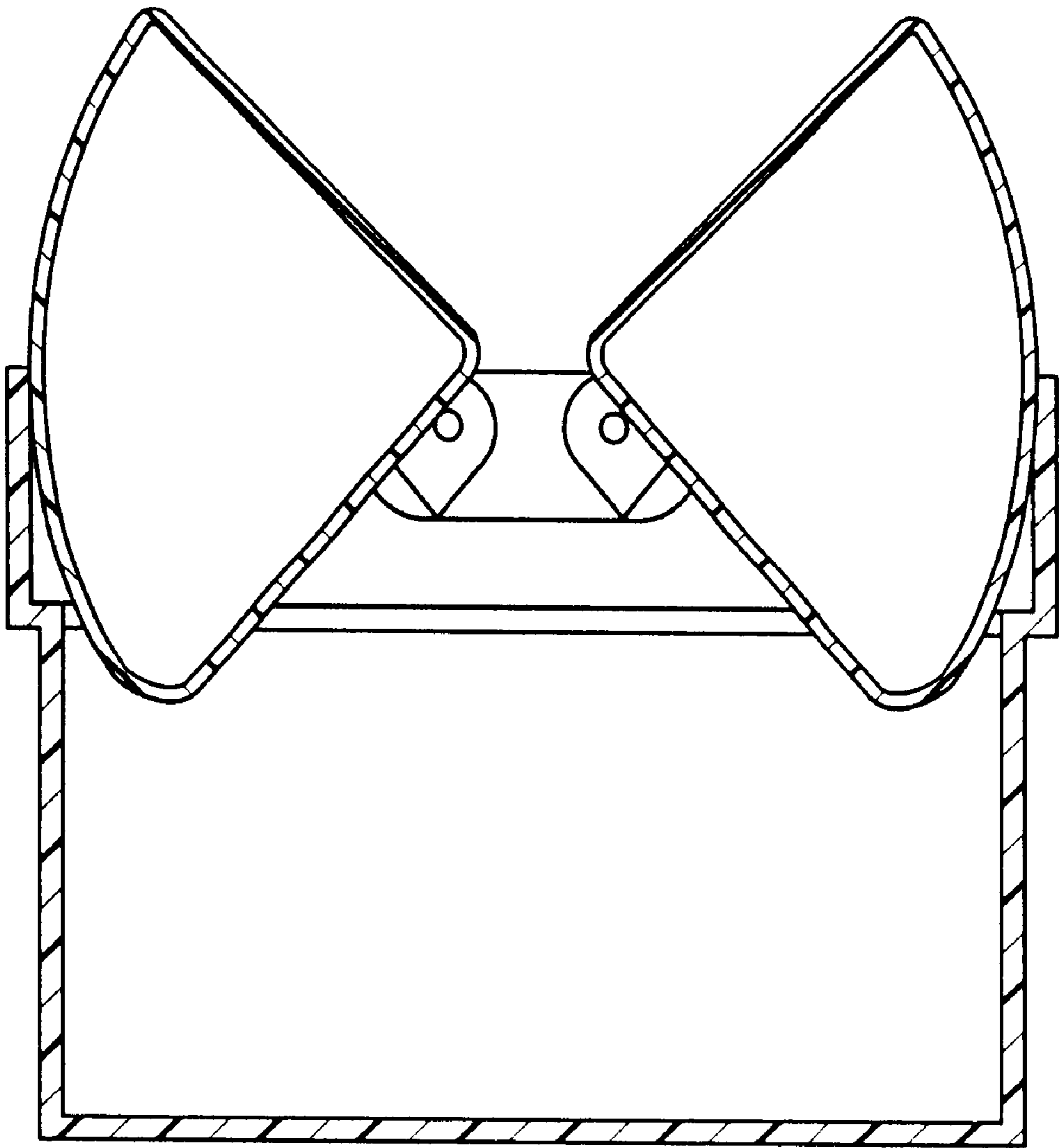
**FIG. 4**



**FIG. 5**



**FIG. 6**



**FIG. 7**