



US00D477480S

(12) **United States Design Patent**
Luu et al.

(10) **Patent No.:** **US D477,480 S**
(45) **Date of Patent:** **** Jul. 22, 2003**

(54) **DISPOSABLE CUP DISPENSER**

* cited by examiner

(75) Inventors: **Nga thuy Luu**, Appleton, WI (US);
Joseph R. Pounder, Greenville, WI (US)

Primary Examiner—Brian N. Vinson
(74) *Attorney, Agent, or Firm*—Michael W. Ferrell

(73) Assignee: **Fort James Corporation**, Atlanta, GA (US)

(57) **CLAIM**

The disposable cup dispenser, as shown.

(**) Term: **14 Years**

DESCRIPTION

(21) Appl. No.: **29/162,978**

A portion of the disclosure of this patent document contains material to which a claim for copyright is made. The copyright owner has no objection to the facsimile reproduction by anyone of the patent document or the patent disclosure as it appears in the Patent and Trademark Office patent file or records, but reserves all other copyright rights whatsoever.

(22) Filed: **Jun. 25, 2002**

(51) **LOC (7) Cl.** **07-99**

(52) **U.S. Cl.** **D6/516**

(58) **Field of Search** D6/516; 206/217, 206/427; 211/13.1, 49.1, 74; 221/45, 282, 283, 284, 285; 222/173, 180, 181.1, 181.2

FIG. 1 is a view in perspective of the inventive disposable cup dispenser;

FIG. 2 is a side elevational view of the inventive disposable cup dispenser;

FIG. 3 is a front elevational view thereof;

FIG. 4 is a rear elevational view thereof;

FIG. 5 is a top plan view thereof;

FIG. 6 is a bottom plan view thereof;

FIG. 7 is a section view taken on line 7—7 of FIG. 1; and,

FIG. 8 is a sectional view taken on line 8—8 of FIG. 1 with the lid removed for convenience of illustration and wherein the dispenser portion has been removed from the stand.

(56) **References Cited**

U.S. PATENT DOCUMENTS

2,203,494 A	*	6/1940	Greenhill	221/45
D162,582 S	*	3/1951	Scherr et al.	D6/516
D194,625 S	*	2/1963	Metzler et al.	D6/516
D201,911 S	*	8/1965	Wank et al.	D6/516
D225,266 S	*	11/1972	Cousins	D6/516
D241,205 S	*	8/1976	Halsted et al.	D6/516
D245,549 S	*	8/1977	Brown	D6/516
D298,394 S	*	11/1988	Brewer	D6/516
D316,199 S	*	4/1991	Brown	D6/516

1 Claim, 3 Drawing Sheets

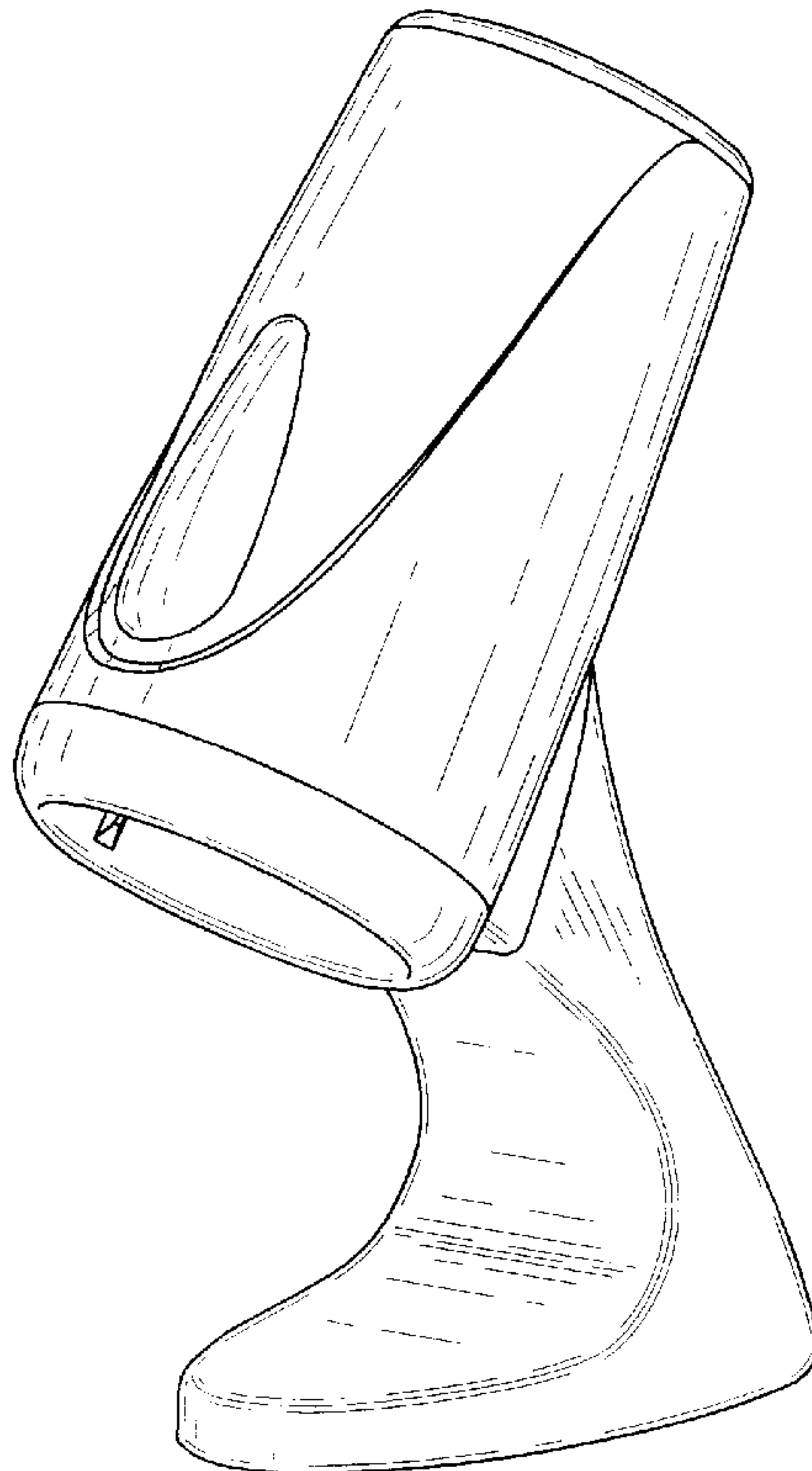


FIG. 3

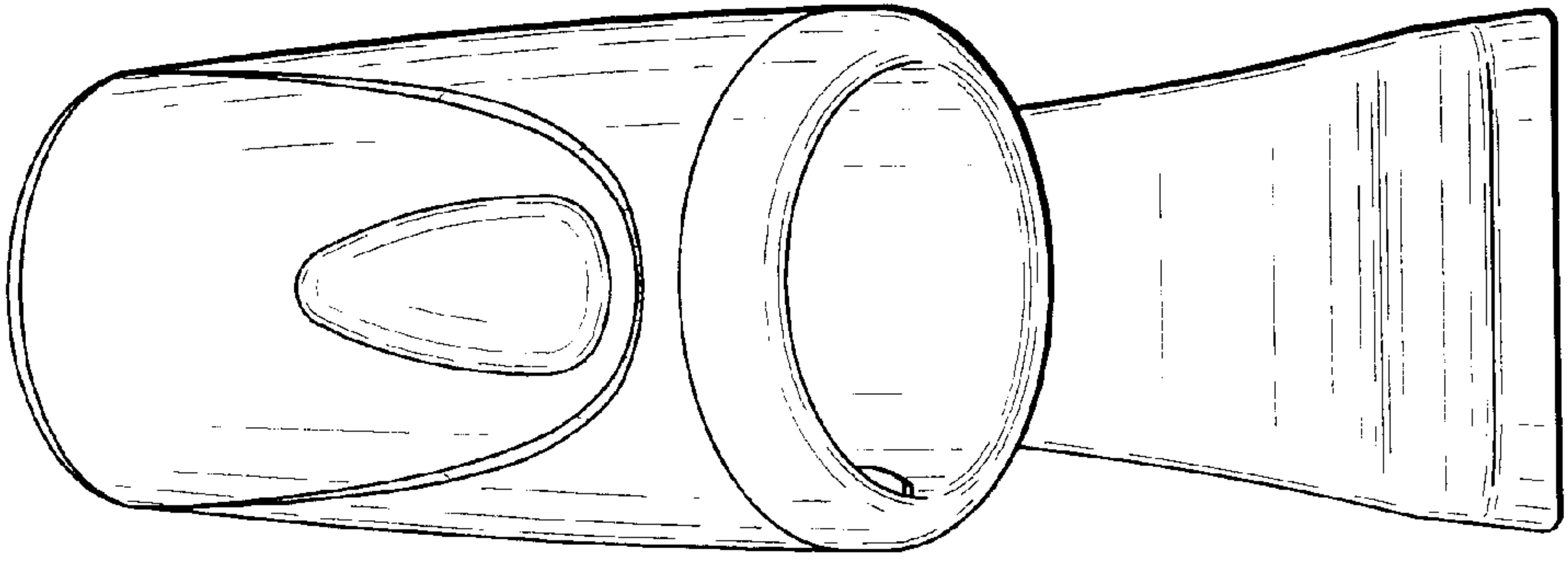


FIG. 2

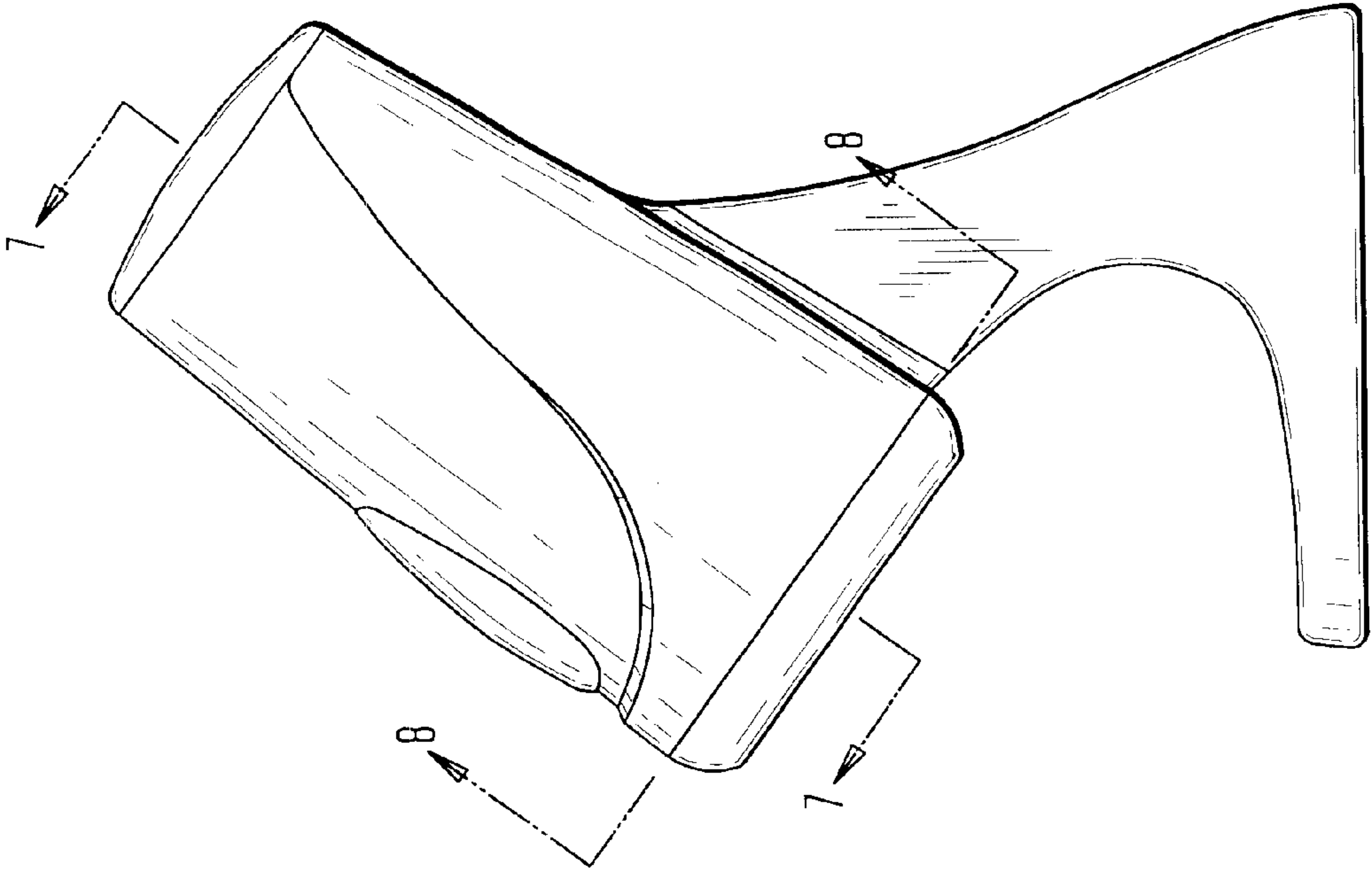


FIG. 1

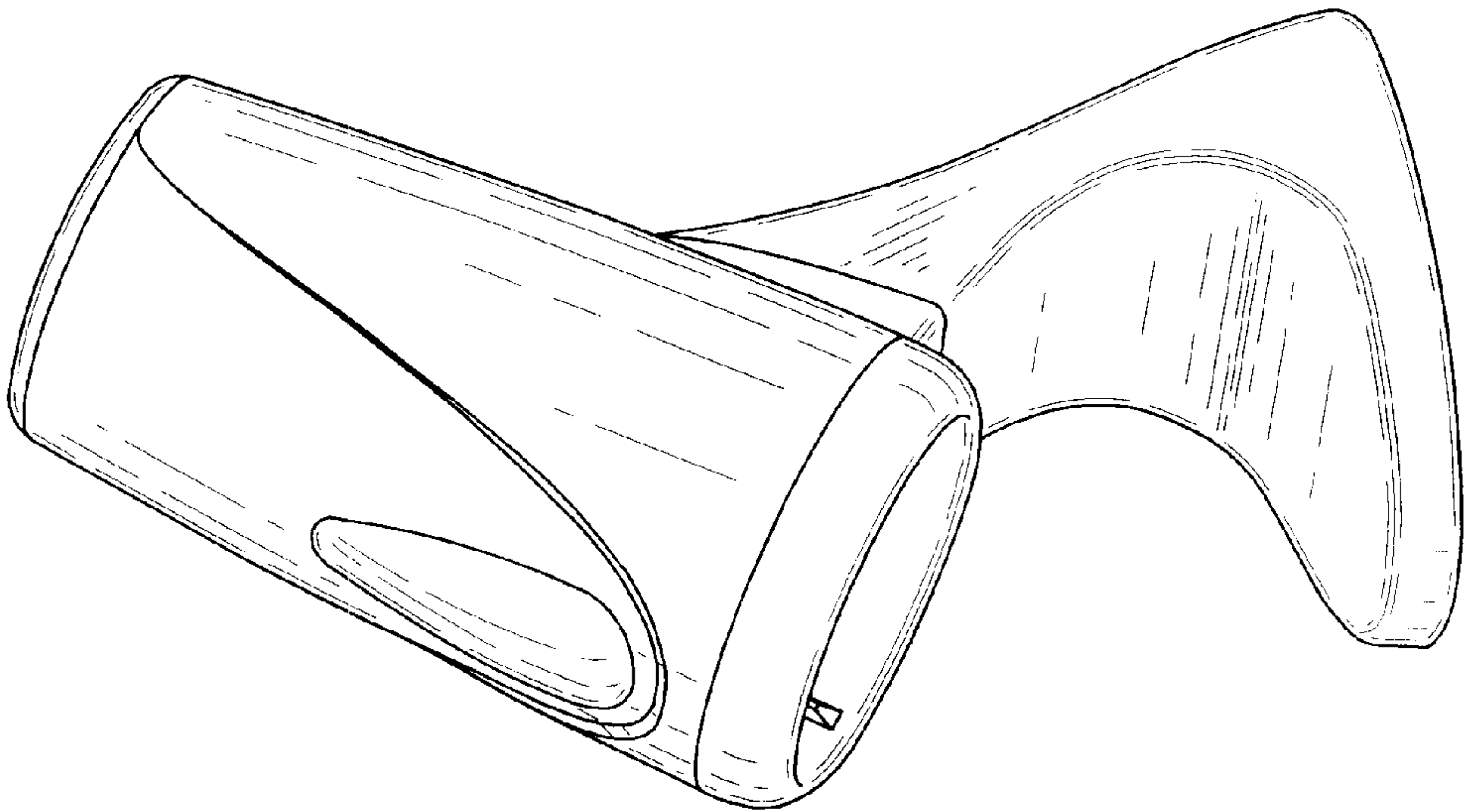


FIG. 4

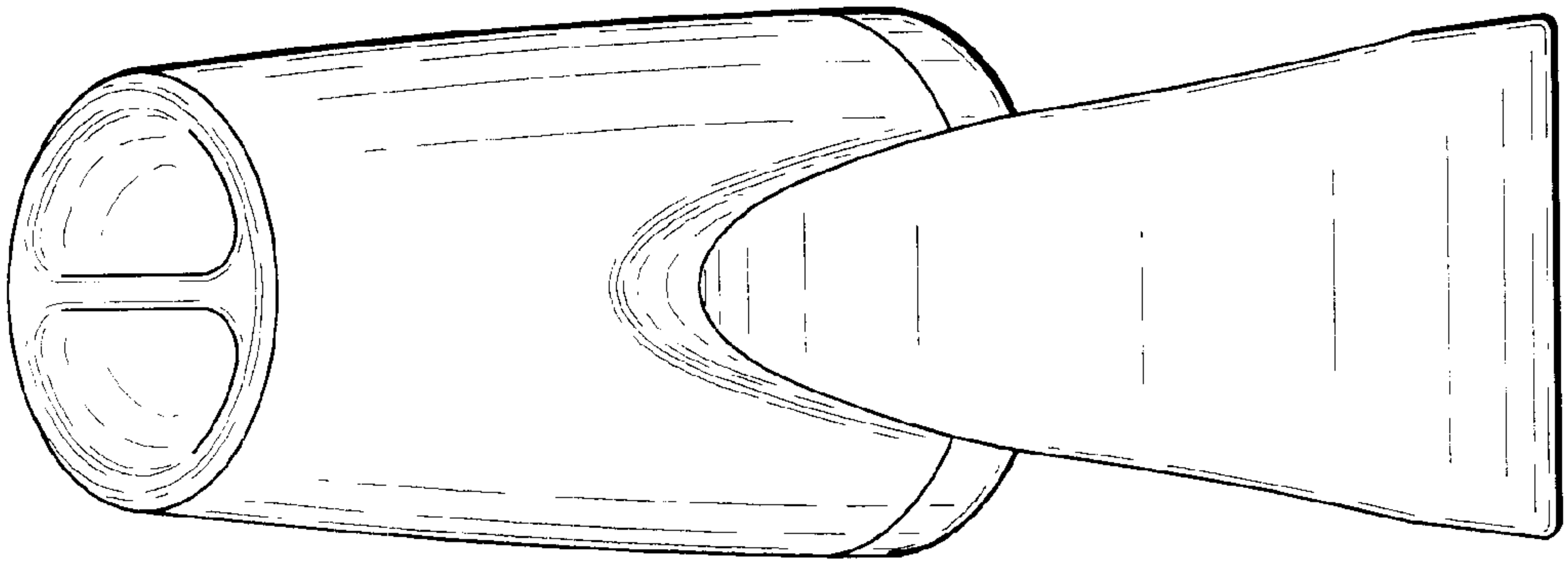


FIG. 5

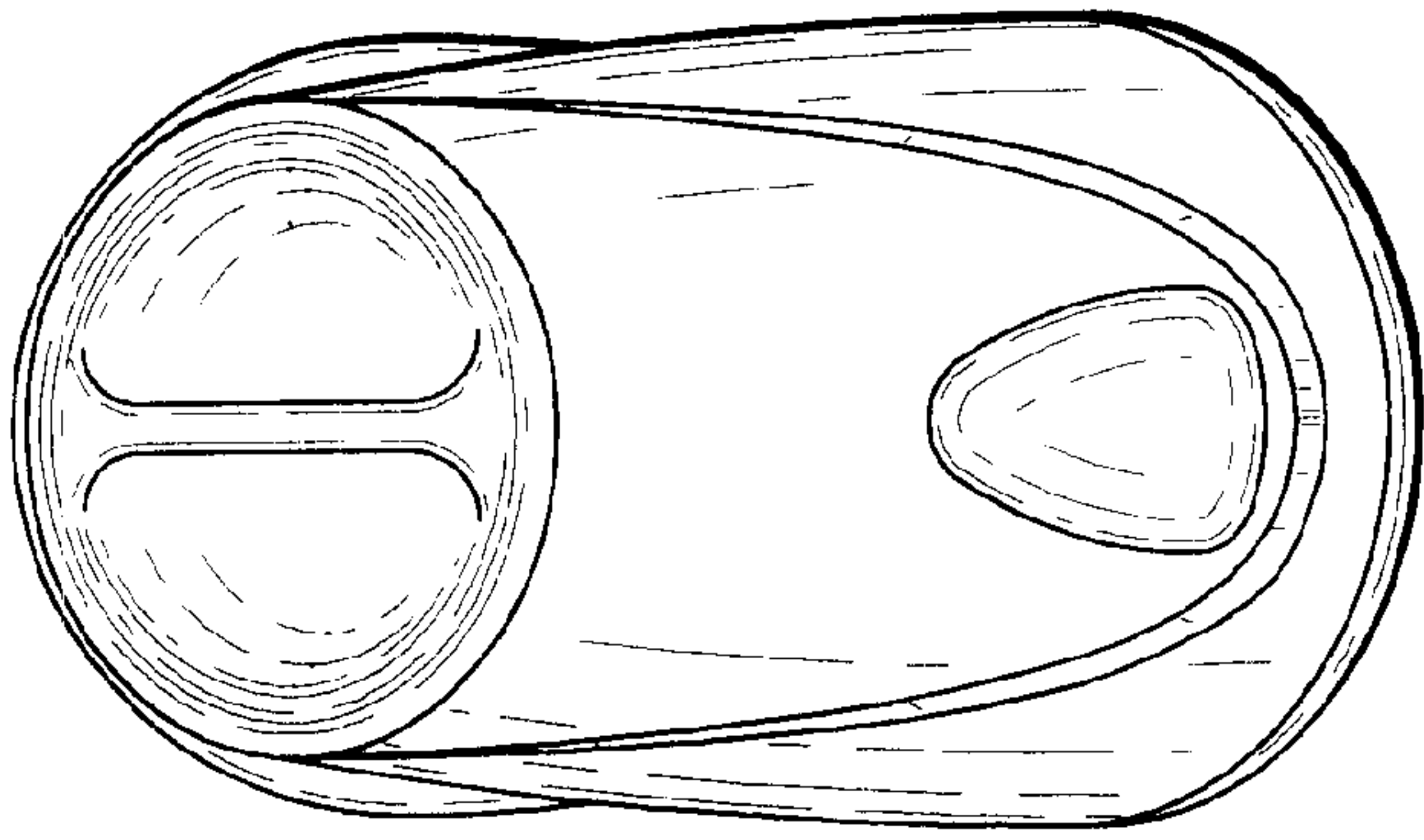


FIG. 6

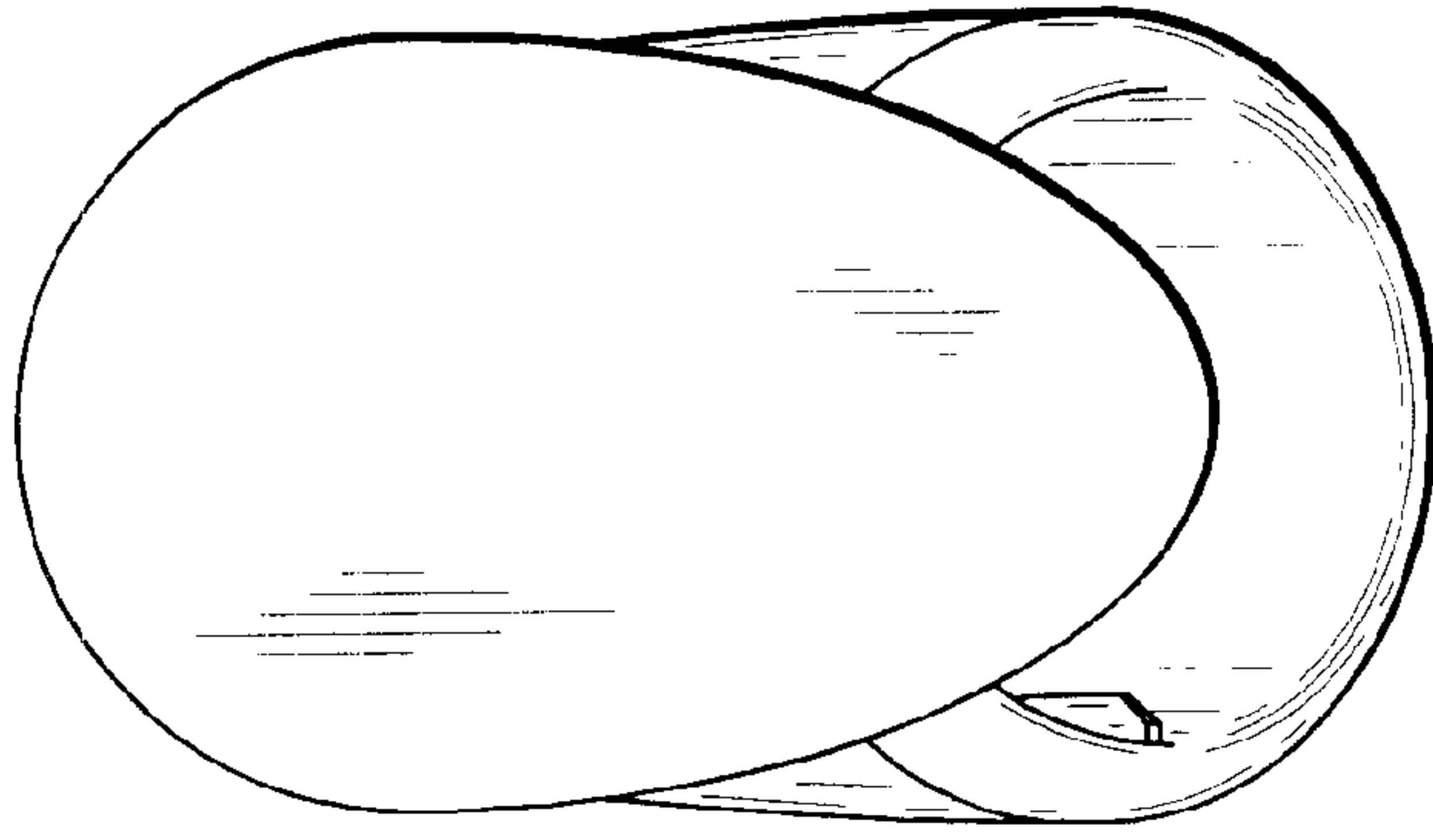


FIG. 7

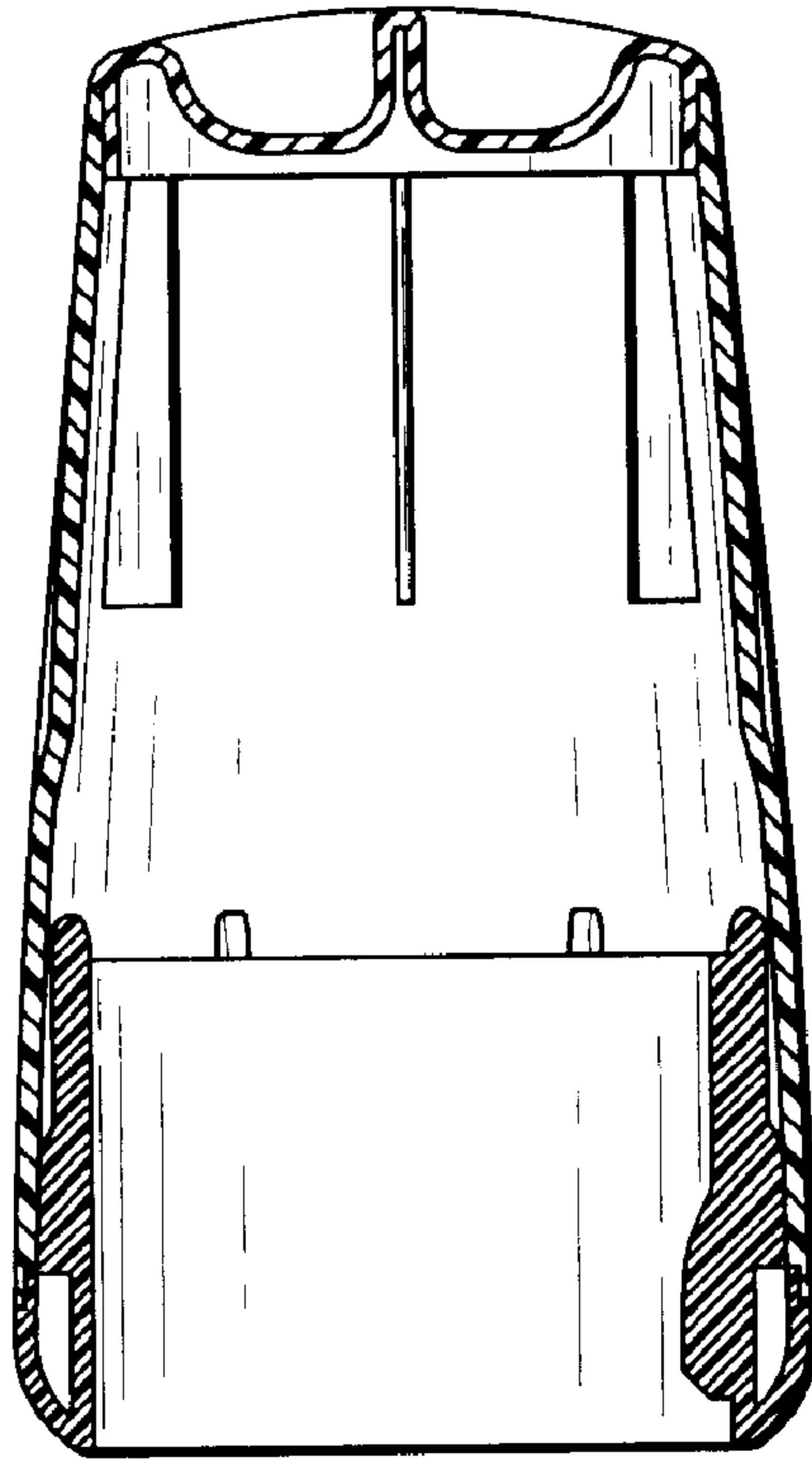


FIG. 8

