



US00D477479S

(12) **United States Design Patent**
Henderson et al.

(10) **Patent No.:** **US D477,479 S**

(45) **Date of Patent:** **** Jul. 22, 2003**

(54) **TOOLBOX TRAY OR DRAWER**

(75) Inventors: **James Henderson**, Carp (CA); **Steven K. Jones**, Nepean (CA); **Alden Rattew**, Lombardy (CA)

(73) Assignee: **Lee Valley Tools Inc.**, Ontario (CA)

(**) Term: **14 Years**

(21) Appl. No.: **29/160,788**

(22) Filed: **May 14, 2002**

(51) **LOC (7) Cl.** **06-06**

(52) **U.S. Cl.** **D6/510**

(58) **Field of Search** D6/400, 495, 496,
D6/491, 509, 510; D3/296, 297; 312/204,
330.1, 334.1, 348.4

(56) **References Cited**

U.S. PATENT DOCUMENTS

2,539,963	A	*	1/1951	Moberg	312/334.7
4,318,575	A	*	3/1982	Redlich	312/249.9
4,379,603	A	*	4/1983	Johnson et al.	312/348.6
D275,500	S	*	9/1984	Tyke	D6/510 X
D278,664	S	*	5/1985	Ferdinand et al.	D6/510
4,811,438	A	*	3/1989	Simpson	5/308
4,861,123	A	*	8/1989	Russell	312/330.1
D326,381	S	*	5/1992	Heiligenthal et al.	D6/510
D332,021	S	*	12/1992	Cugley et al.	D6/510
D351,079	S	*	10/1994	Brown	D6/510
5,857,757	A	*	1/1999	Bieker et al.	312/351.3

* cited by examiner

Primary Examiner—Cathron C. Brooks

(74) *Attorney, Agent, or Firm*—Kilpatrick Stockton, LLP;
John S. Pratt

(57) **CLAIM**

The ornamental design for a toolbox tray or drawer, as shown and described.

DESCRIPTION

FIG. 1 is a perspective view of a first embodiment of the toolbox tray or drawer of this invention.

FIG. 2 is a front view of the toolbox tray or drawer of FIG. 1.

FIG. 3 is a back view of the toolbox tray or drawer of FIG. 1.

FIG. 4 is a right side view of the toolbox tray or drawer of FIG. 1; of which the left side view is a mirror image.

FIG. 5 is a top plan view of the toolbox tray or drawer of FIG. 1.

FIG. 6 is a bottom plan view of the toolbox tray or drawer of FIG. 1.

FIG. 7 is a perspective view of an alternative embodiment of the toolbox tray or drawer of this invention.

FIG. 8 is a front view of the toolbox tray or drawer of FIG. 7.

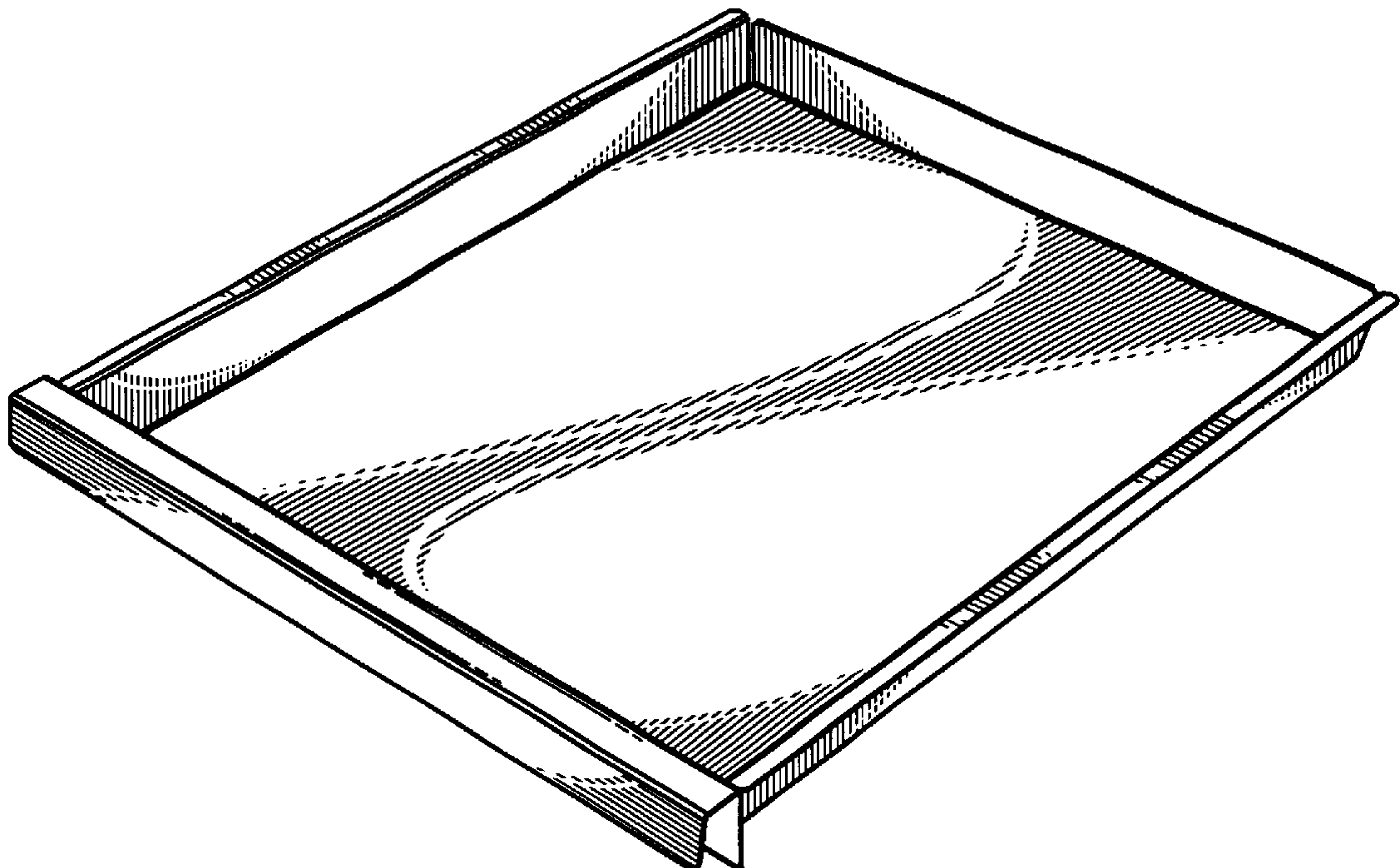
FIG. 9 is a back view of the toolbox tray or drawer of FIG. 7.

FIG. 10 is a right side view of the toolbox tray or drawer of FIG. 7; of which the left side is a mirror image.

FIG. 11 is a top plan view of the toolbox tray or drawer of FIG. 7; and,

FIG. 12 is a bottom plan view of the toolbox tray or drawer of FIG. 7.

1 Claim, 6 Drawing Sheets



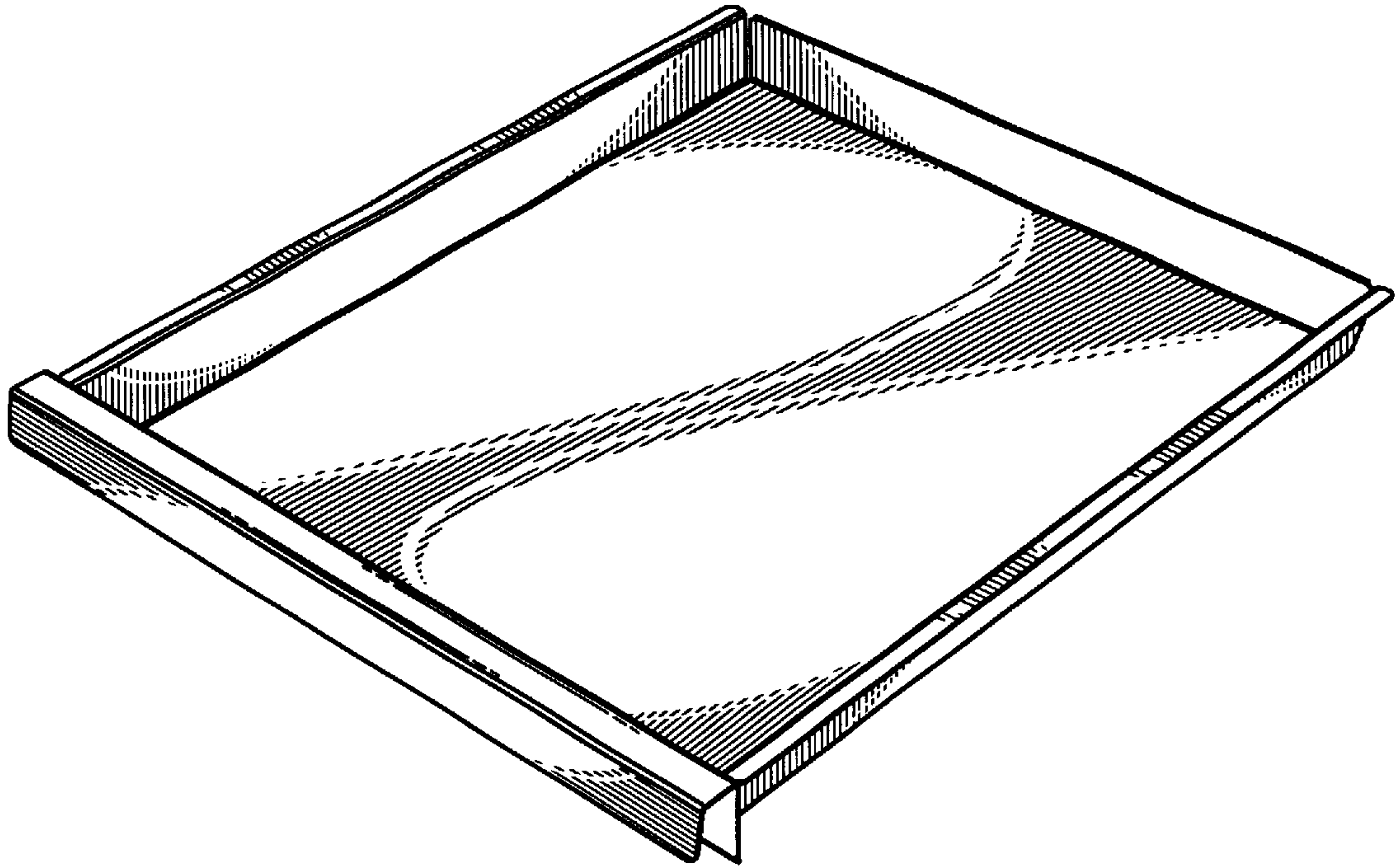


Fig. 1

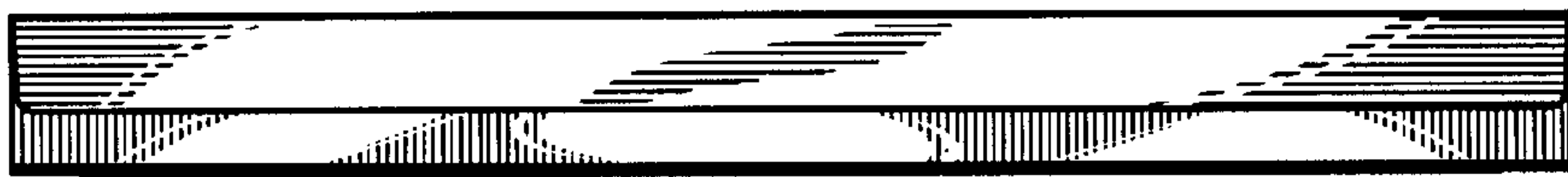


Fig. 2



Fig. 3



Fig. 4

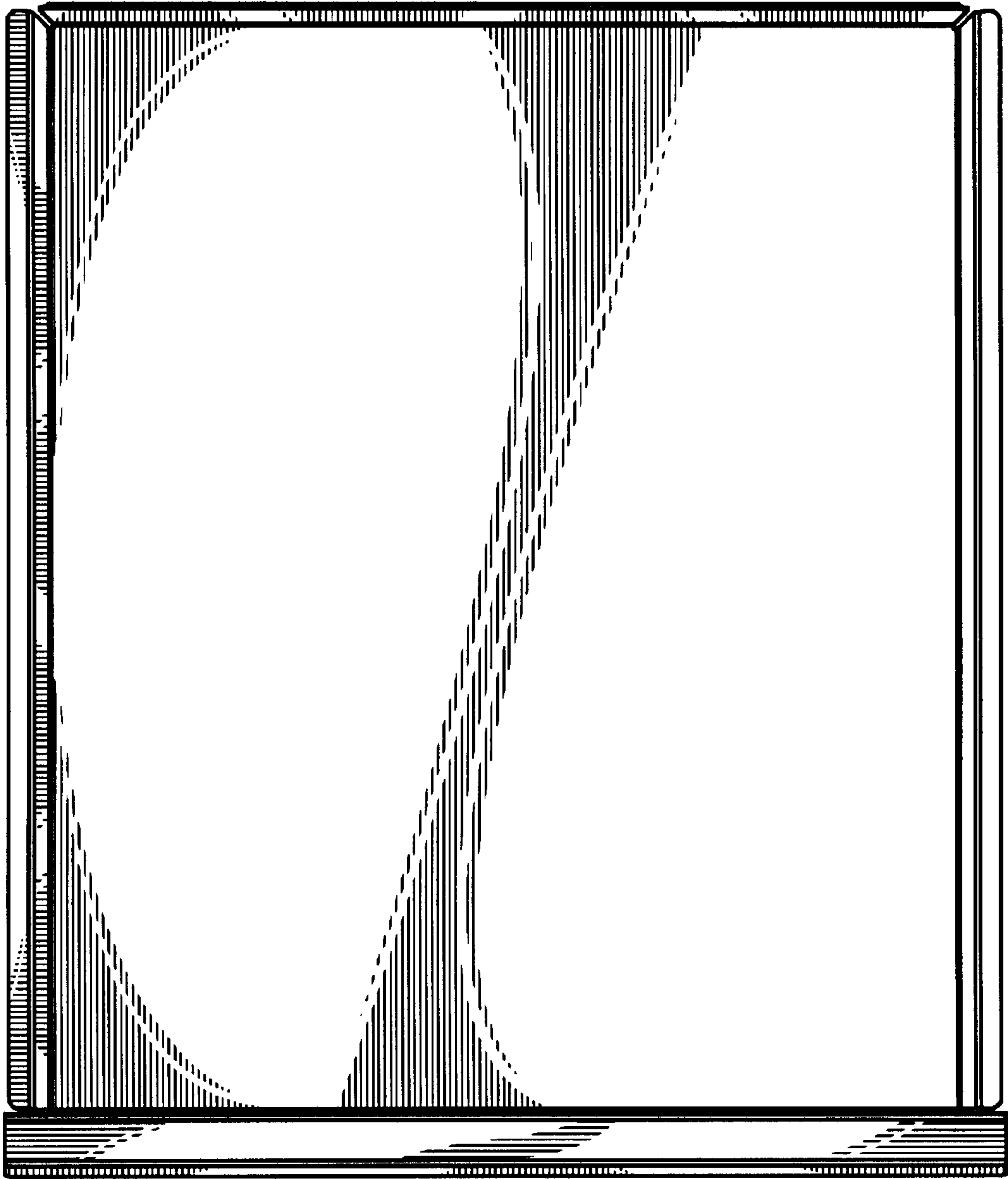


Fig. 5

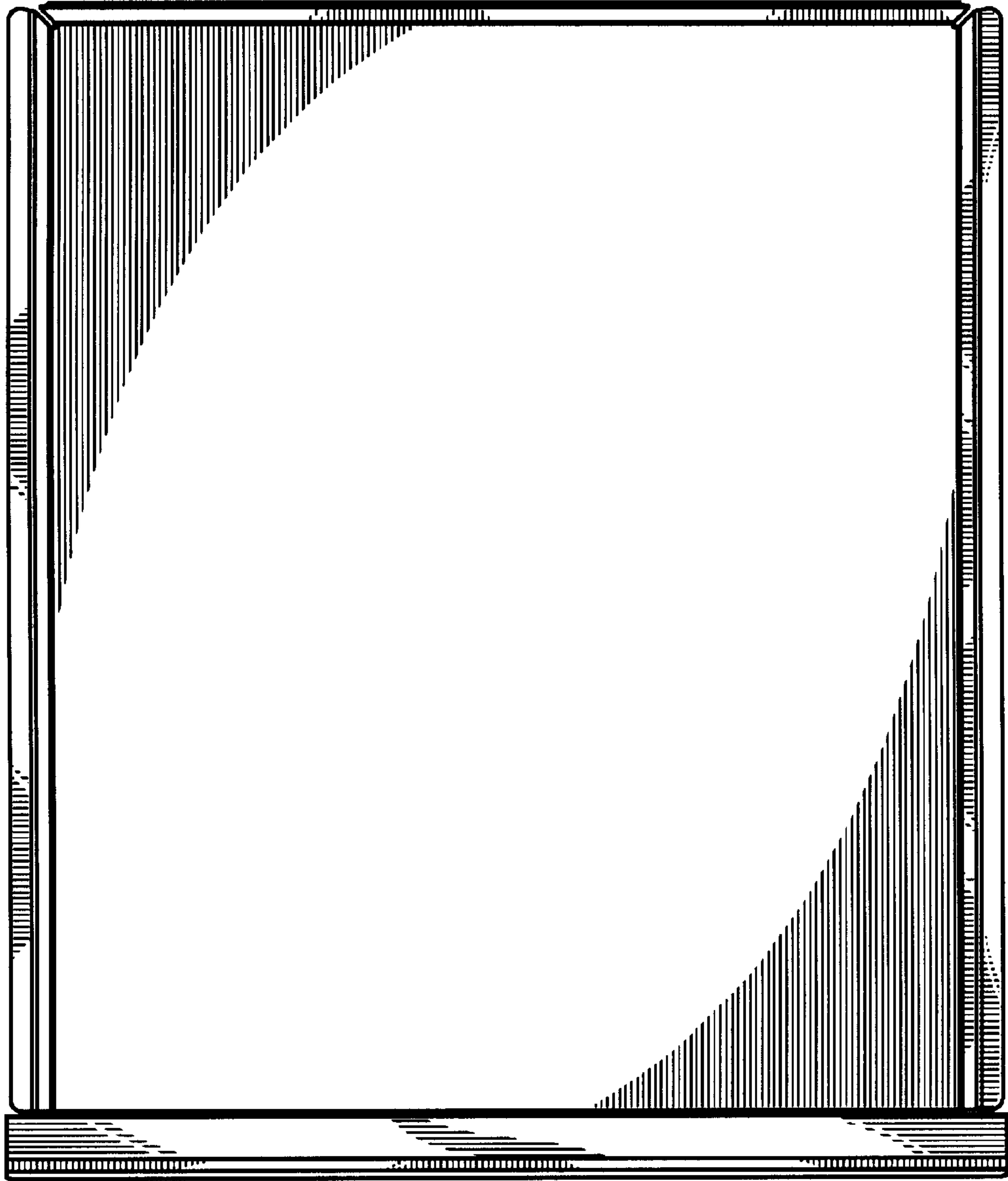


Fig. 6

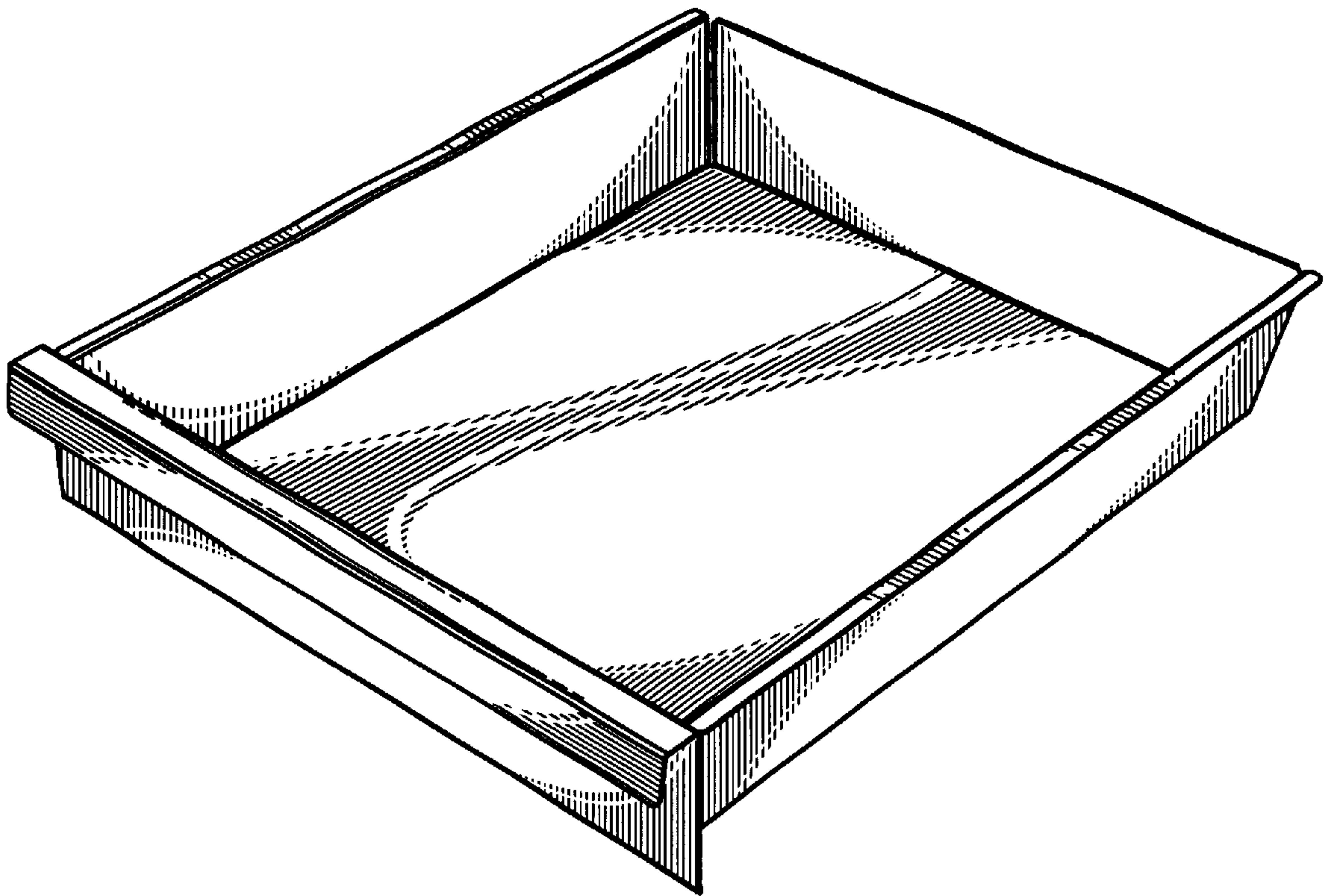


Fig. 1

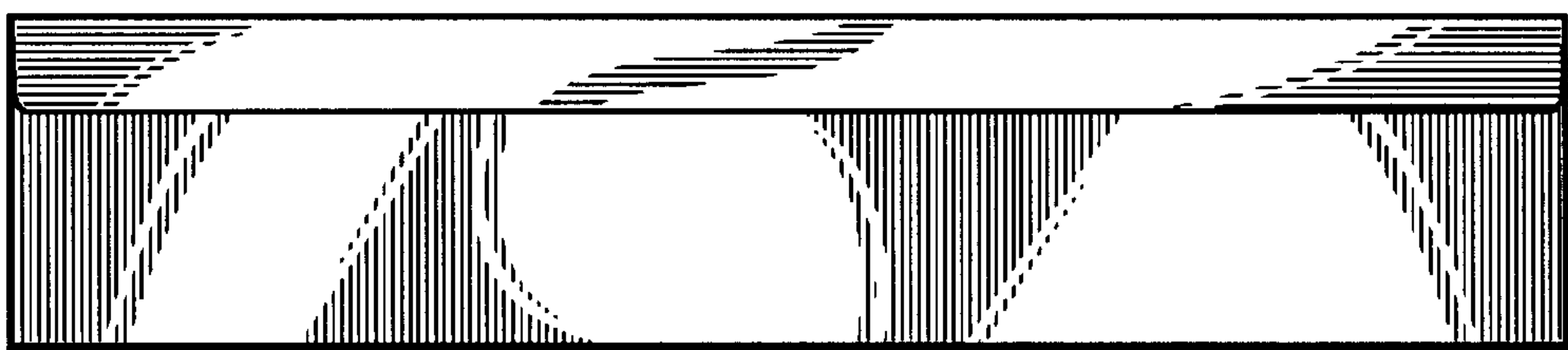


Fig. 8

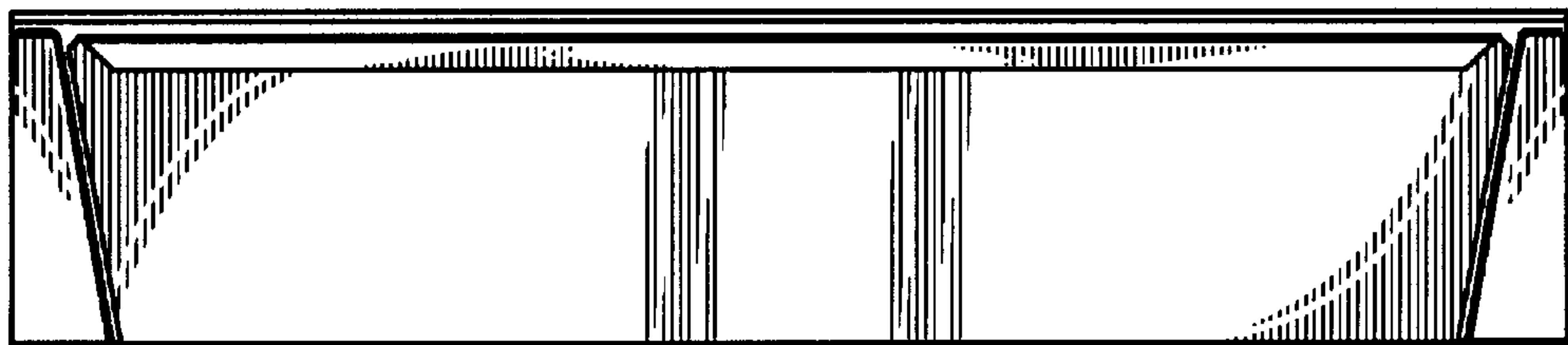


Fig. 9

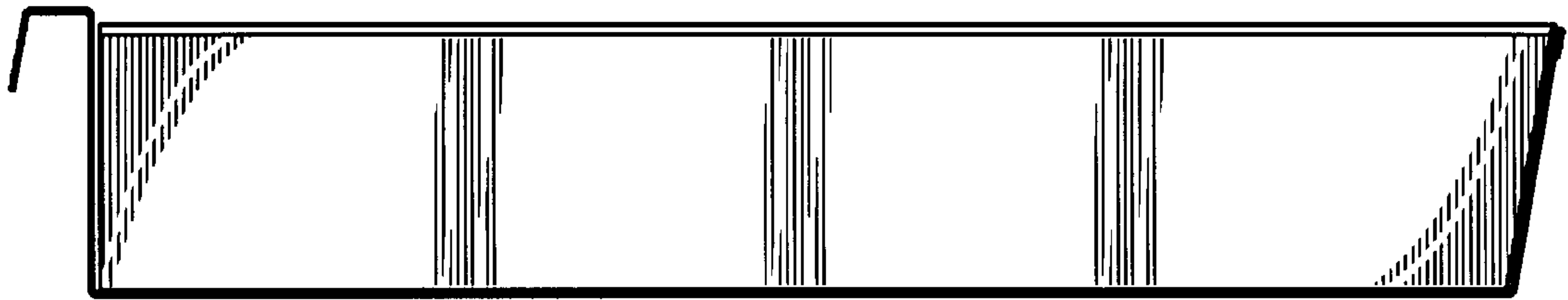


Fig. 10

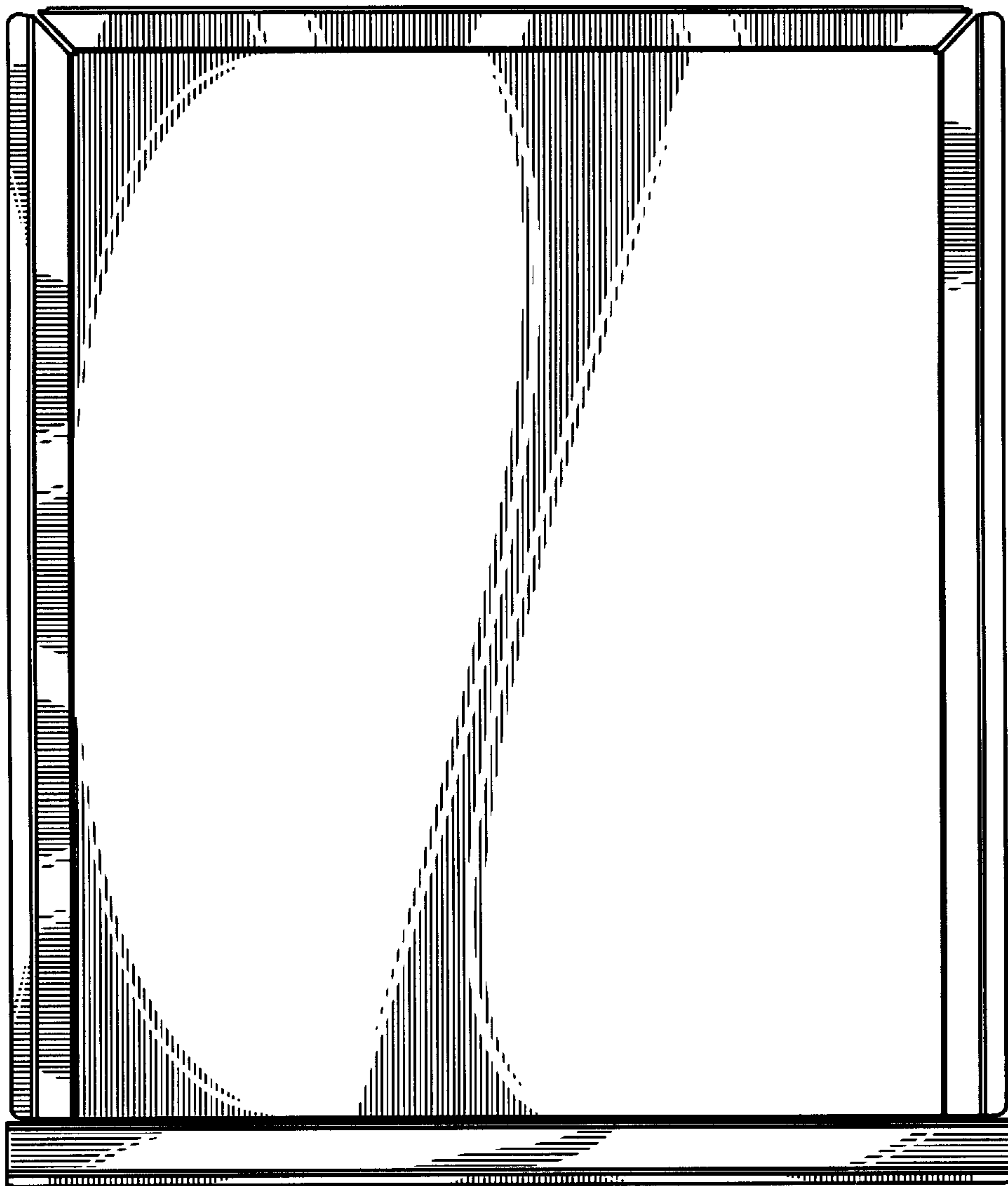


Fig. 11

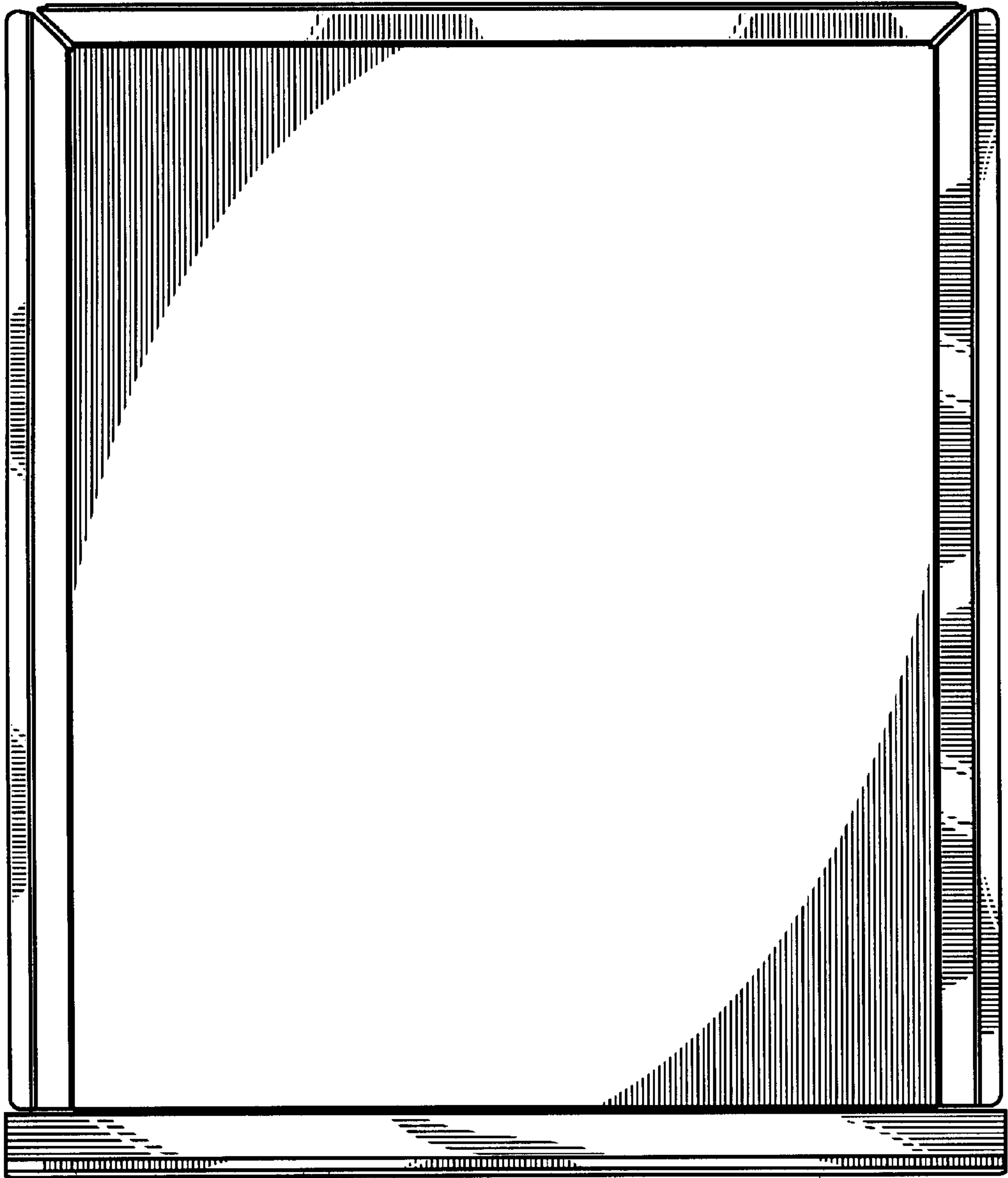


Fig. 12