



US00D477477S

(12) **United States Design Patent**
Siegert

(10) **Patent No.:** **US D477,477 S**

(45) **Date of Patent:** **** Jul. 22, 2003**

(54) **SURFACE CONFIGURATION OF SEAT CONTROLS FOR A VEHICLE**

D356,694 S * 3/1995 Armbrecht D6/356
5,448,028 A * 9/1995 Fillion et al. 200/52 R
D394,017 S * 5/1998 Liao et al. D10/103

(75) Inventor: **Franz-Josef Siegert**, Herrenberg (DE)

OTHER PUBLICATIONS

(73) Assignee: **Dr. Ing. h.c.F. Porsche Aktiengesellschaft**, Stuttgart (DE)

vehicle seats: #1 Ergoned D and #2 Ergoned DS, p. 590, D&W catalog 1994.*

(**) Term: **14 Years**

vehicle seat #3 Ergoned DSE, p. 591, D&W catalog 1994.*

(21) Appl. No.: **29/151,808**

* cited by examiner

(22) Filed: **Dec. 12, 2001**

Primary Examiner—Doris V. Coles

(30) **Foreign Application Priority Data**

Jun. 12, 2001 (DE) 4 01 05 155

Assistant Examiner—Mimosa De

(51) **LOC (7) Cl.** **06-07**

(52) **U.S. Cl.** **D6/500**

(74) *Attorney, Agent, or Firm*—Crowell & Moring LLP

(58) **Field of Search** D6/356, 500, 501, D6/502; D12/192, 345; D10/49, 50; D23/354; 200/52 R; 297/217.3, 256.1, 284.9

(57) **CLAIM**

The ornamental design for a surface configuration of seat controls for a vehicle, as shown and described.

(56) **References Cited**

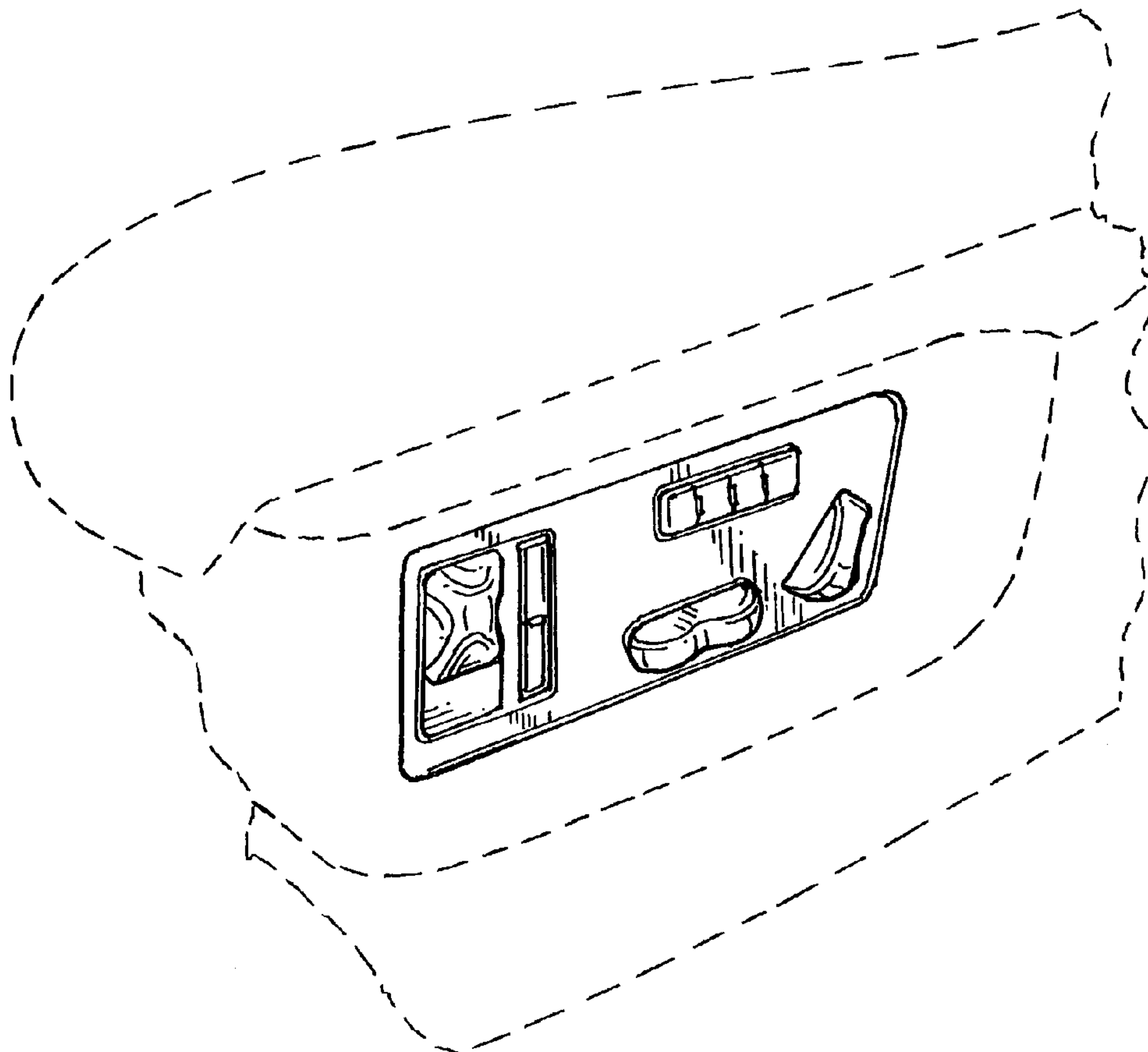
DESCRIPTION

U.S. PATENT DOCUMENTS

D230,966 S * 3/1974 Hill D12/192
4,707,027 A * 11/1987 Horvath et al. 297/284.9

FIG. 1 is a front view of a surface configuration of seat controls for a vehicle according to my novel design; and, FIG. 2 is a perspective view of the surface configuration of seat controls for a vehicle according to my novel design. The dash lines included in the drawings depict environment and are not part of the claimed design.

1 Claim, 1 Drawing Sheet



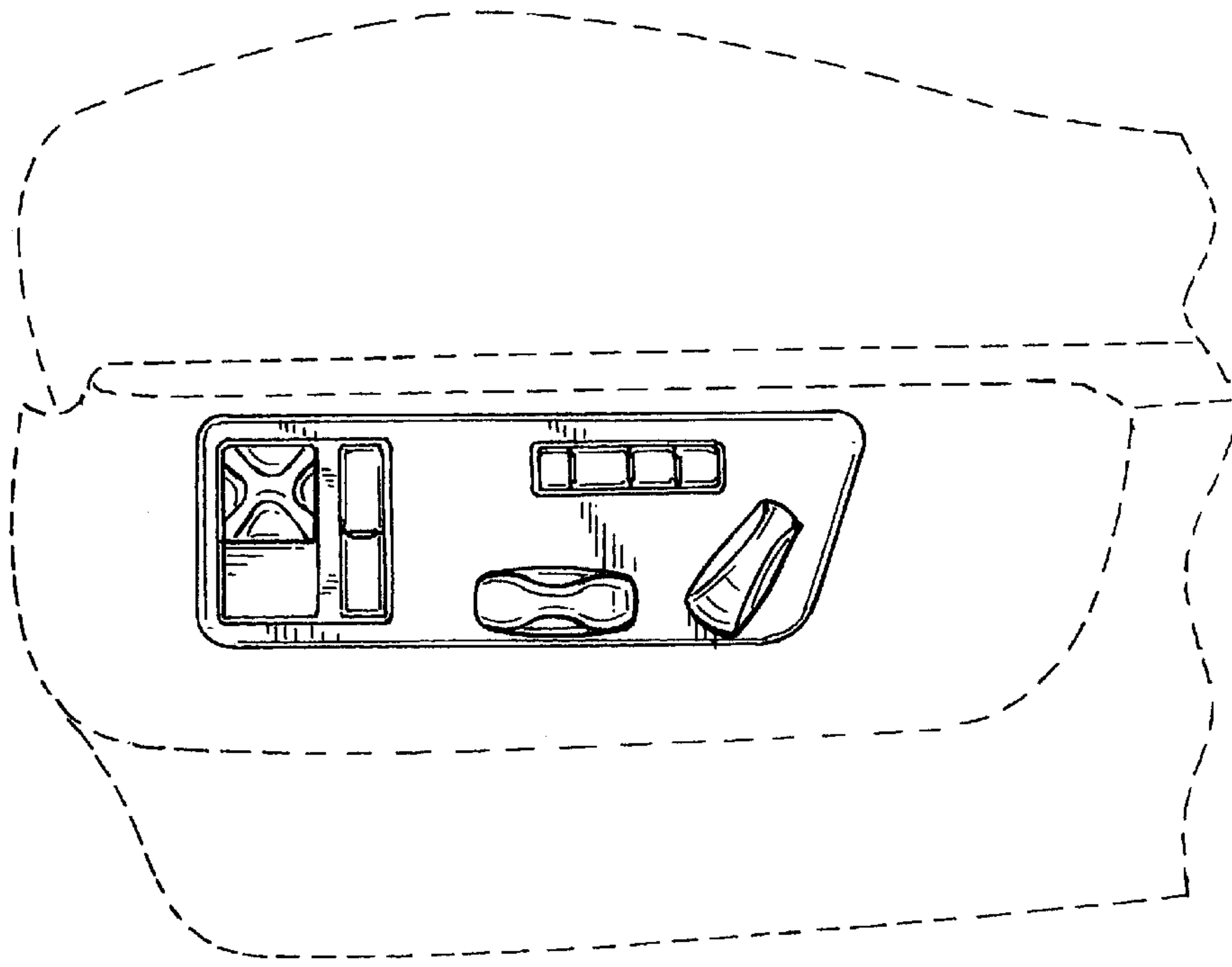


FIG. 1

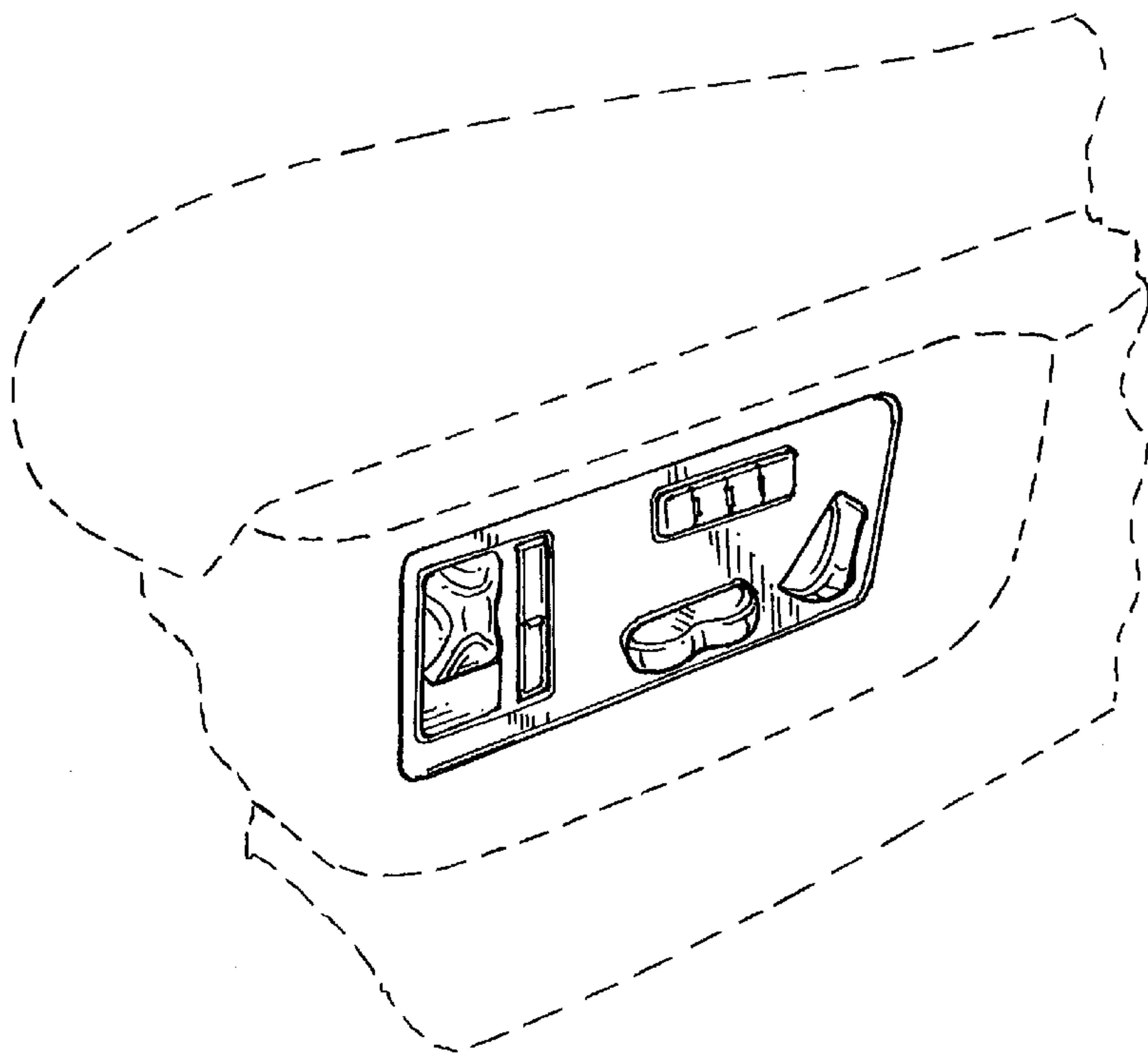


FIG. 2