



US00D477475S

(12) **United States Design Patent**
Moore

(10) **Patent No.:** **US D477,475 S**

(45) **Date of Patent:** **** Jul. 22, 2003**

(54) **ROUND FOLDING TABLE**

(76) Inventor: **Thomas J. Moore**, 207 W. Hwy. 95,
Parma, ID (US) 83660

(*) Notice: This patent is subject to a terminal dis-
claimer.

(**) Term: **14 Years**

(21) Appl. No.: **29/155,954**

(22) Filed: **Feb. 19, 2002**

Related U.S. Application Data

(63) Continuation-in-part of application No. 29/135,345, filed on
Jan. 9, 2001, now Pat. No. Des. 455,918.

(51) **LOC (7) Cl.** **06-03**

(52) **U.S. Cl.** **D6/487; D6/480; D6/429**

(58) **Field of Search** D6/480-489, 495-499,
D6/429-431; 108/153.1, 155, 156, 157.1,
161; 248/188, 188.1, 188.8

(56) **References Cited**

U.S. PATENT DOCUMENTS

2,882,110	A	4/1959	Mutchnik	108/156
3,228,359	A	1/1966	Rich	248/188
D340,599	S	* 10/1993	Hollington	D6/484
D362,983	S	* 10/1995	Magnusson	D6/480
D376,712	S	* 12/1996	Mezger	D6/487
D454,734	S	* 3/2002	Sabo	D6/480
D455,918	S	* 4/2002	Moore	D6/487

OTHER PUBLICATIONS

Pictures of Tables, including an embodiment of the subject
invention, and Brand X (unknown).
Cosco, p. 6., table in center.

* cited by examiner

Primary Examiner—Janice E. Seeger
(74) *Attorney, Agent, or Firm*—Pedersen & Co., PLLC;
Ken J. Pedersen; Barbara S. Pedersen

(57) **CLAIM**

The ornamental design for a round folding table, as shown
and described.

DESCRIPTION

FIG. 1 is a perspective view of an embodiment of the
invented round folding table design.

FIG. 2 is a top view of the table of FIG. 1.

FIG. 3 is a right side view of the table of FIGS. 1 and 2.

FIG. 4 is a bottom view of the table of FIGS. 1 through 3.

FIG. 5 is a left side view of the table of FIGS. 1 through 4.

FIG. 6 is a front view of the table of FIGS. 1 through 5.

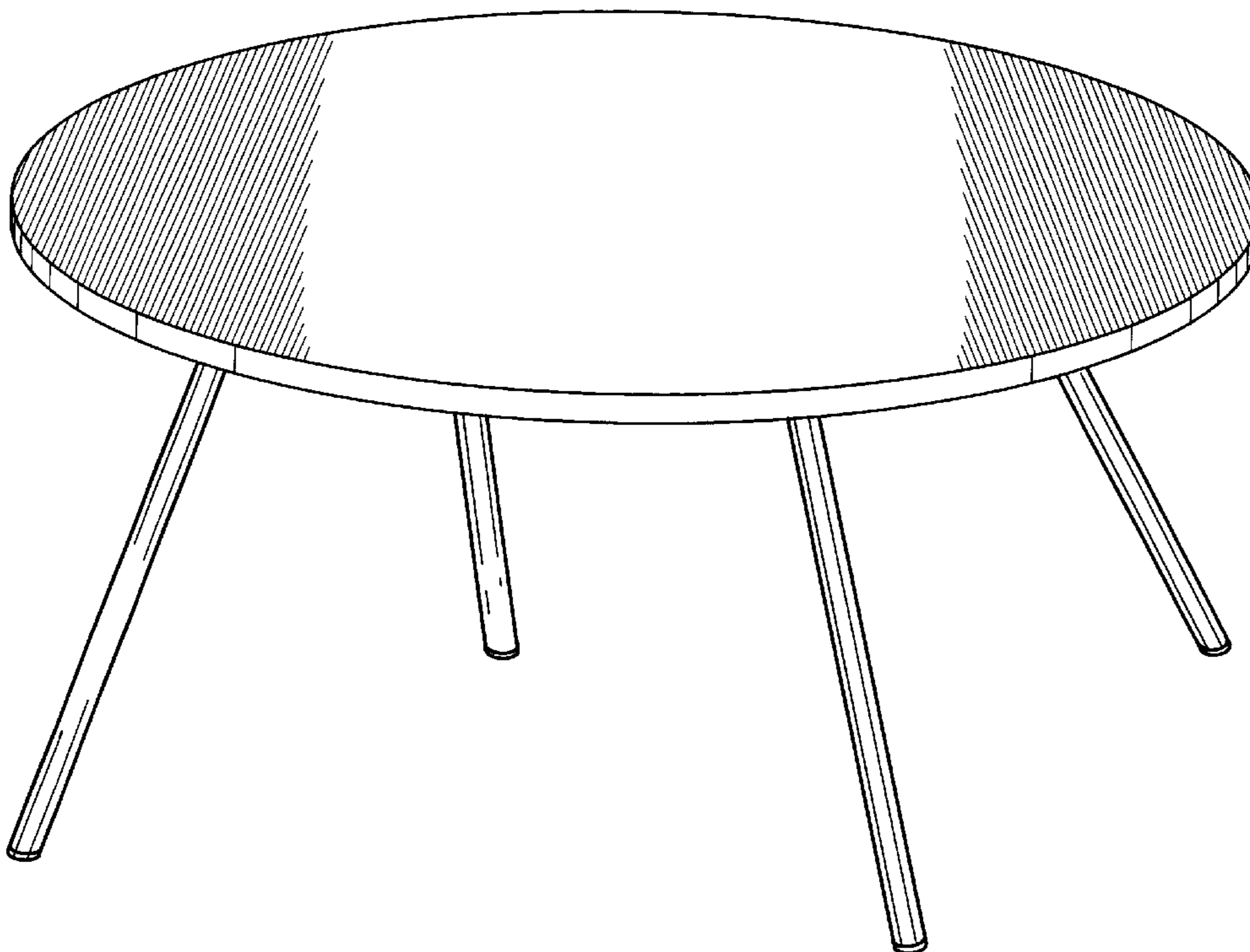
FIG. 7 is a rear view of the table of FIGS. 1 through 6.

FIG. 8 is a bottom view of the table of FIGS. 1 through 7,
with legs folded.

FIG. 9 is an alternative embodiment of the invented round
folding table design, with longer legs; and,

FIG. 10 is a bottom view of the table of FIG. 9, with legs
folded.

1 Claim, 10 Drawing Sheets



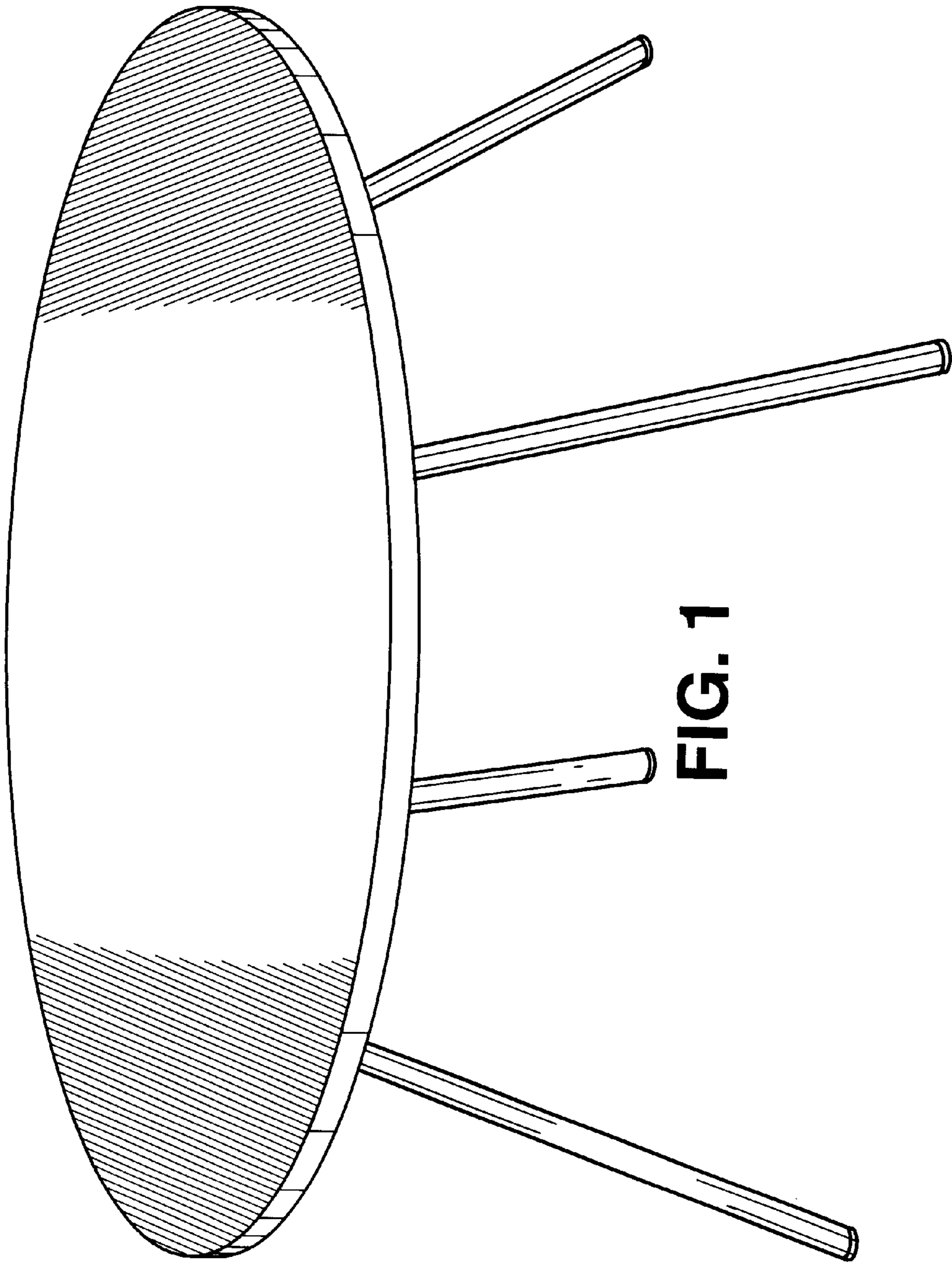


FIG. 1

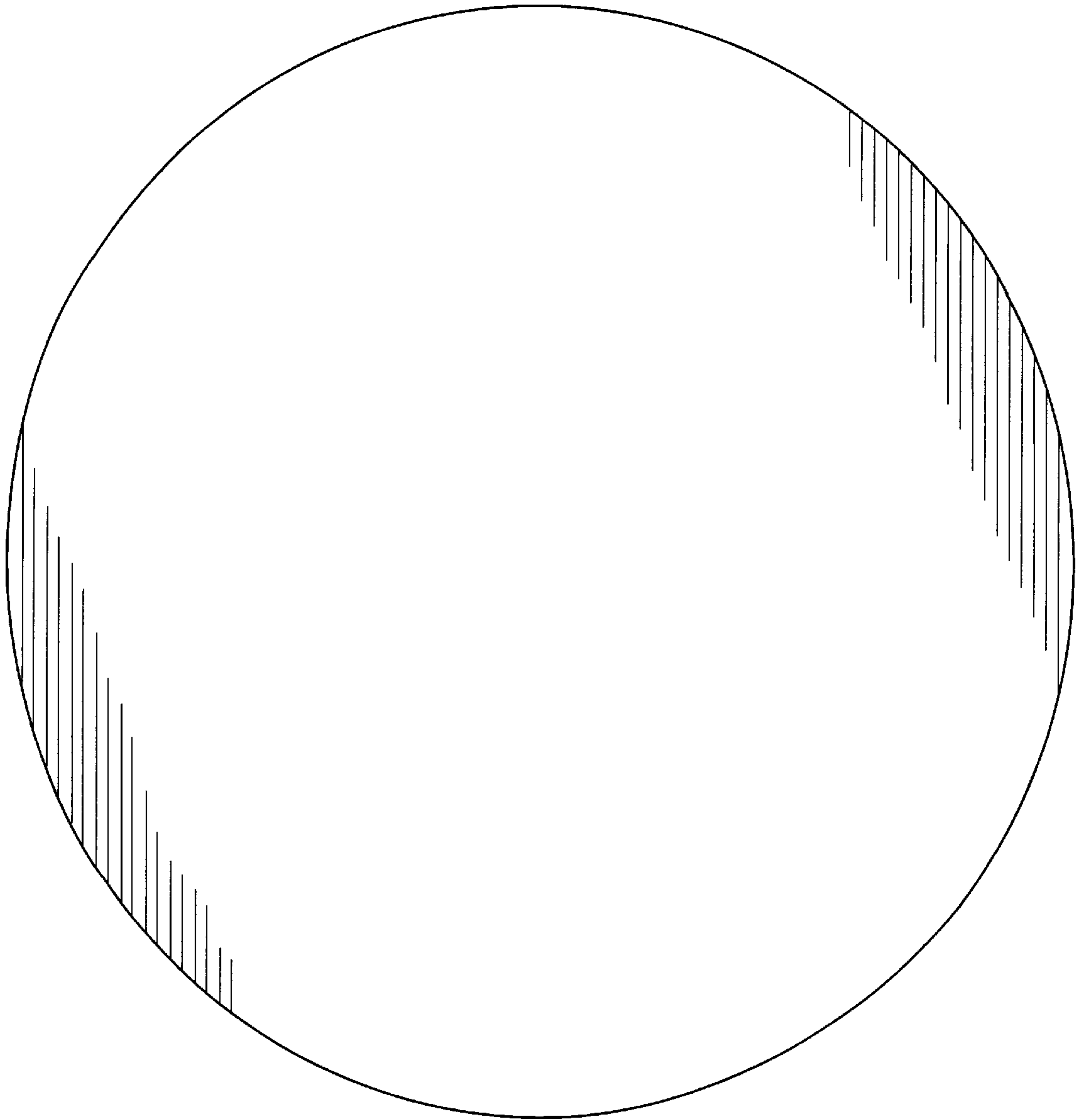


FIG. 2

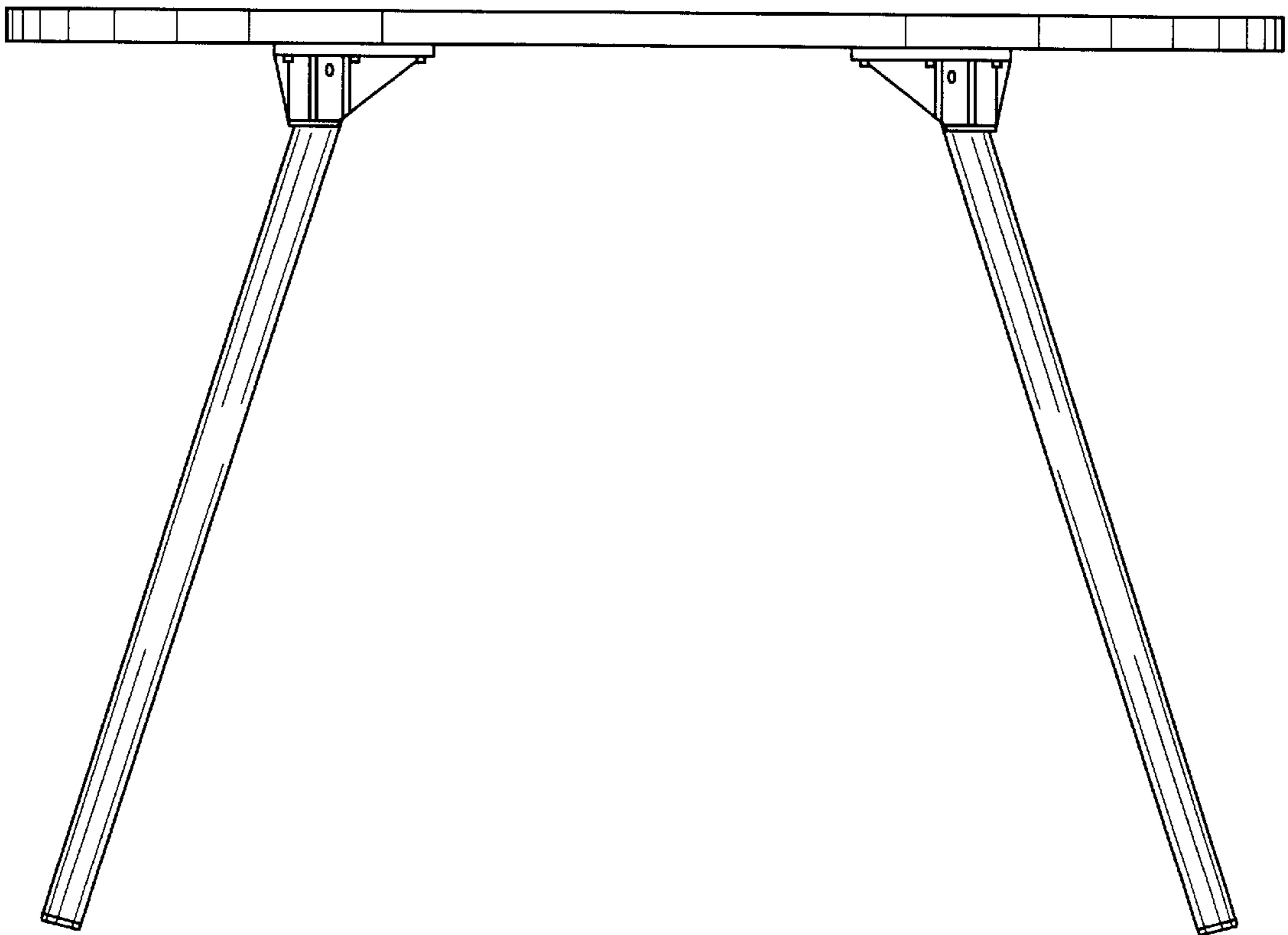


FIG. 3

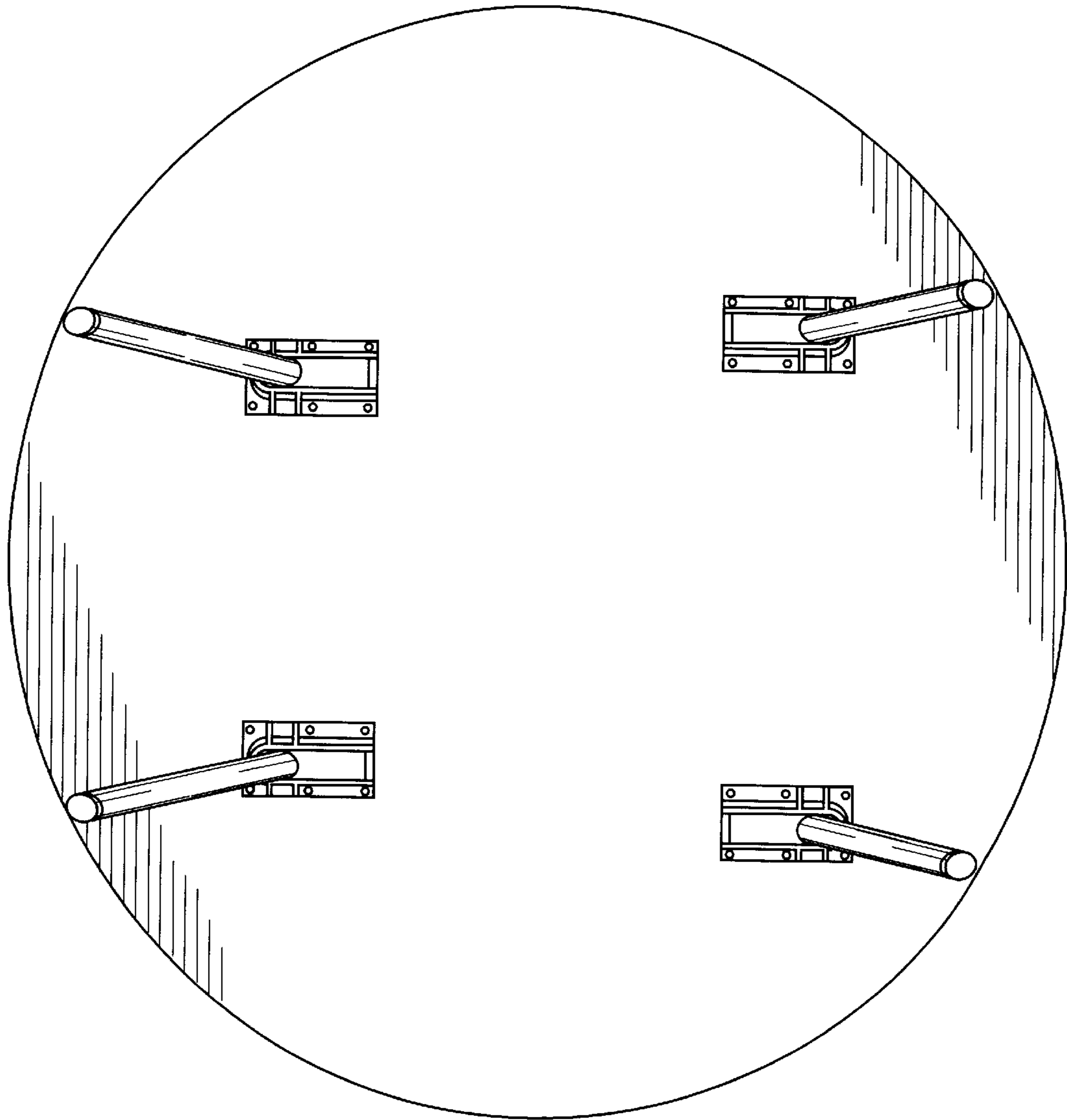


FIG. 4

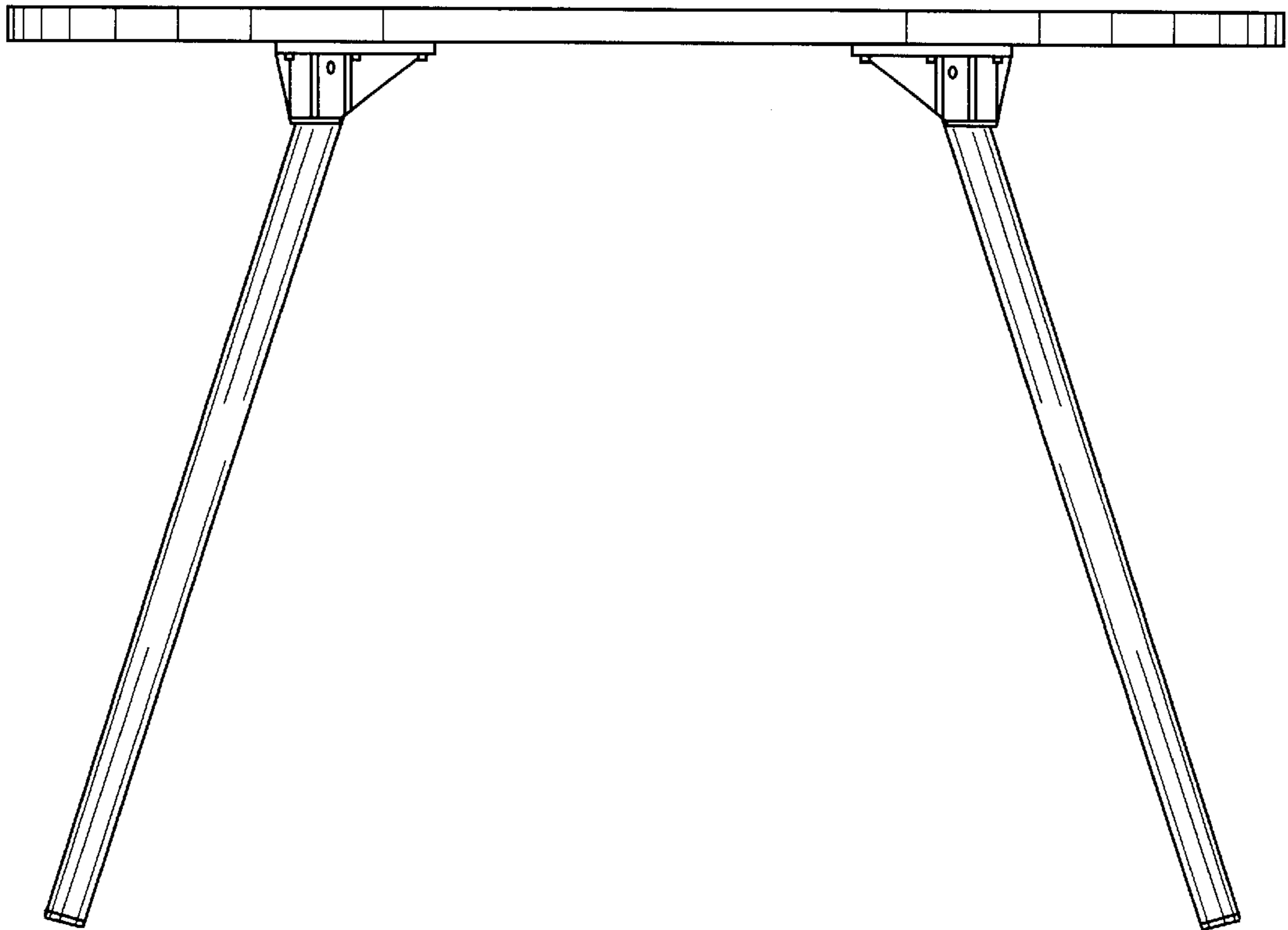


FIG. 5

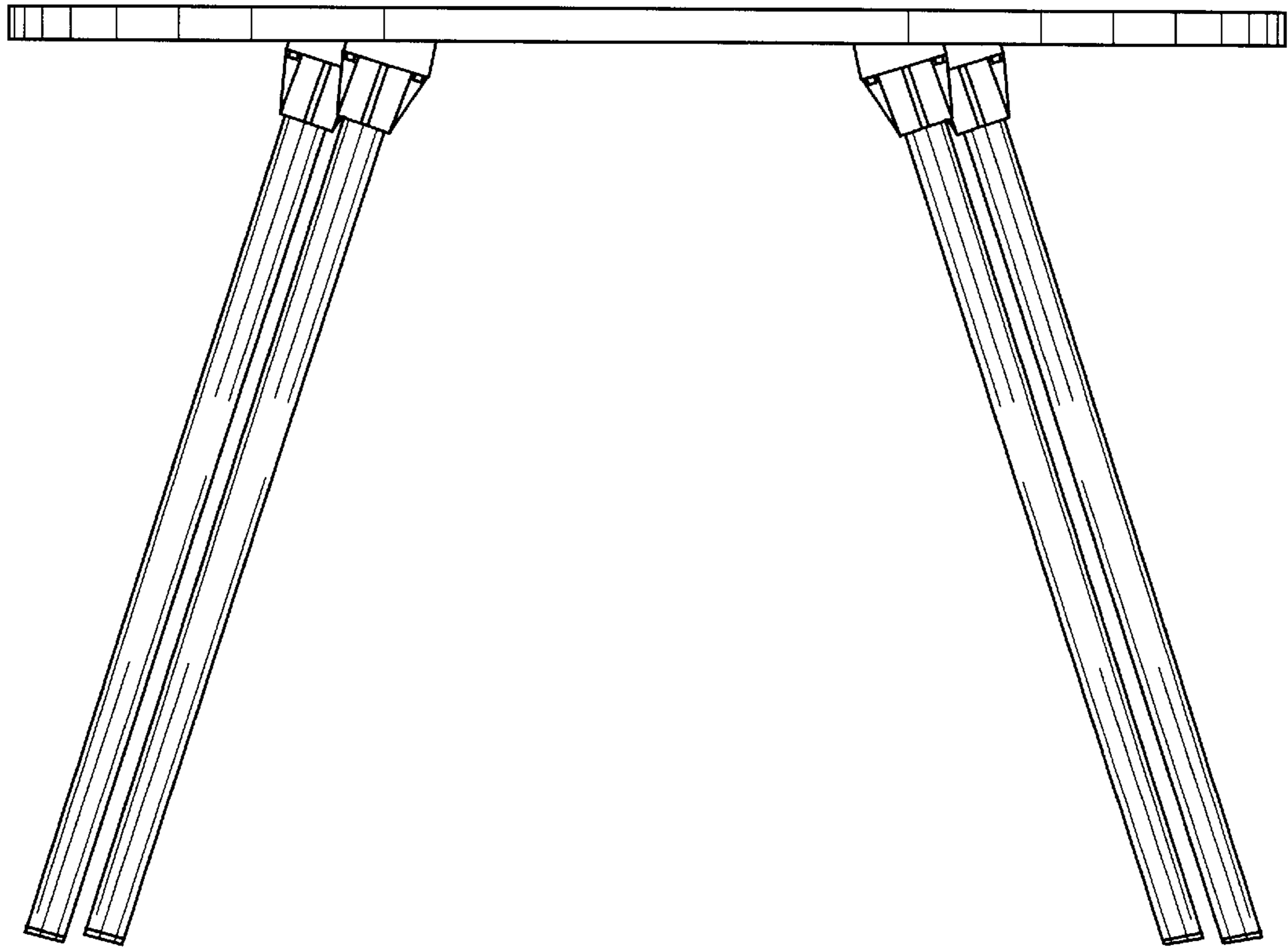


FIG. 6

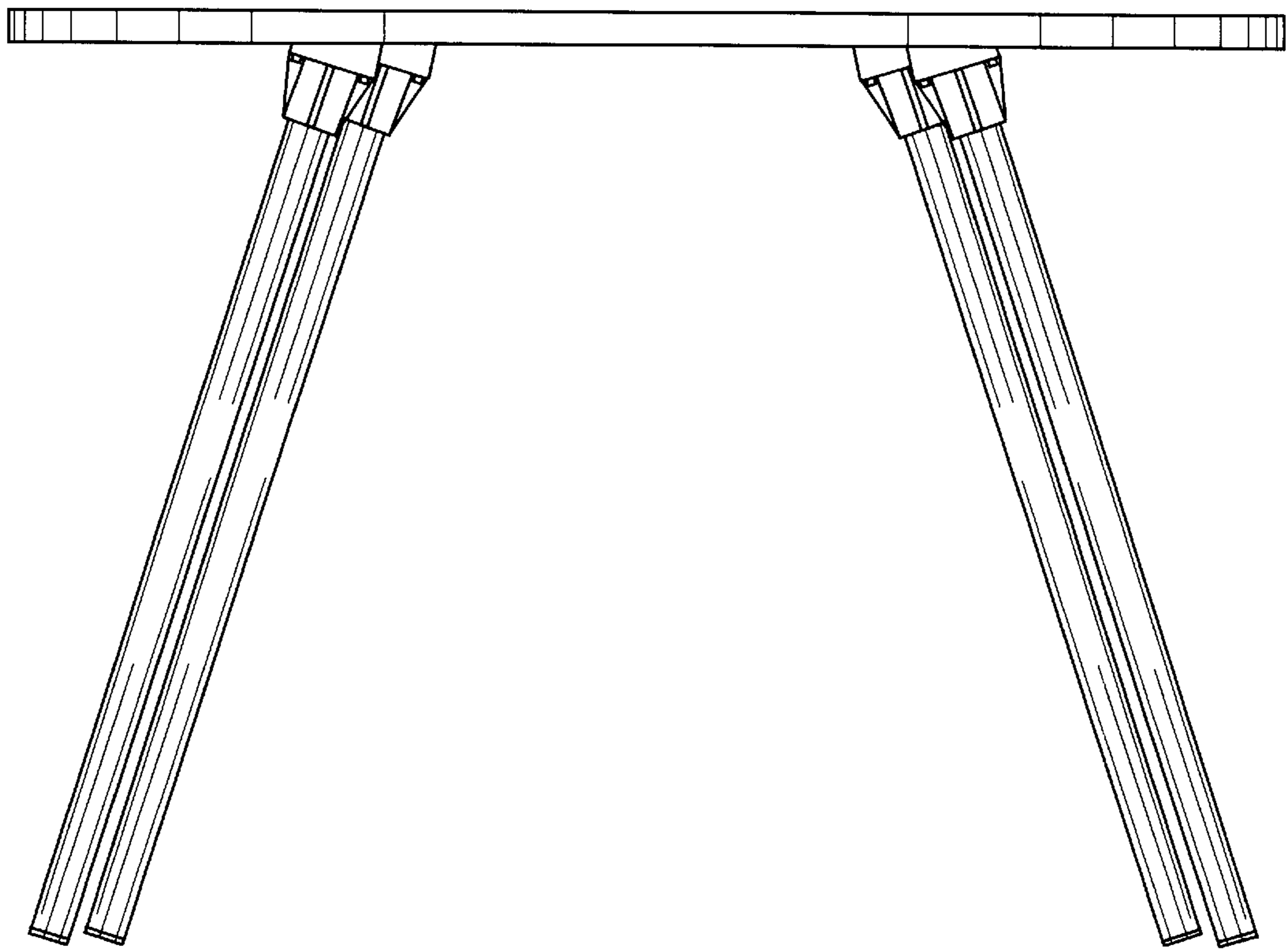


FIG. 7

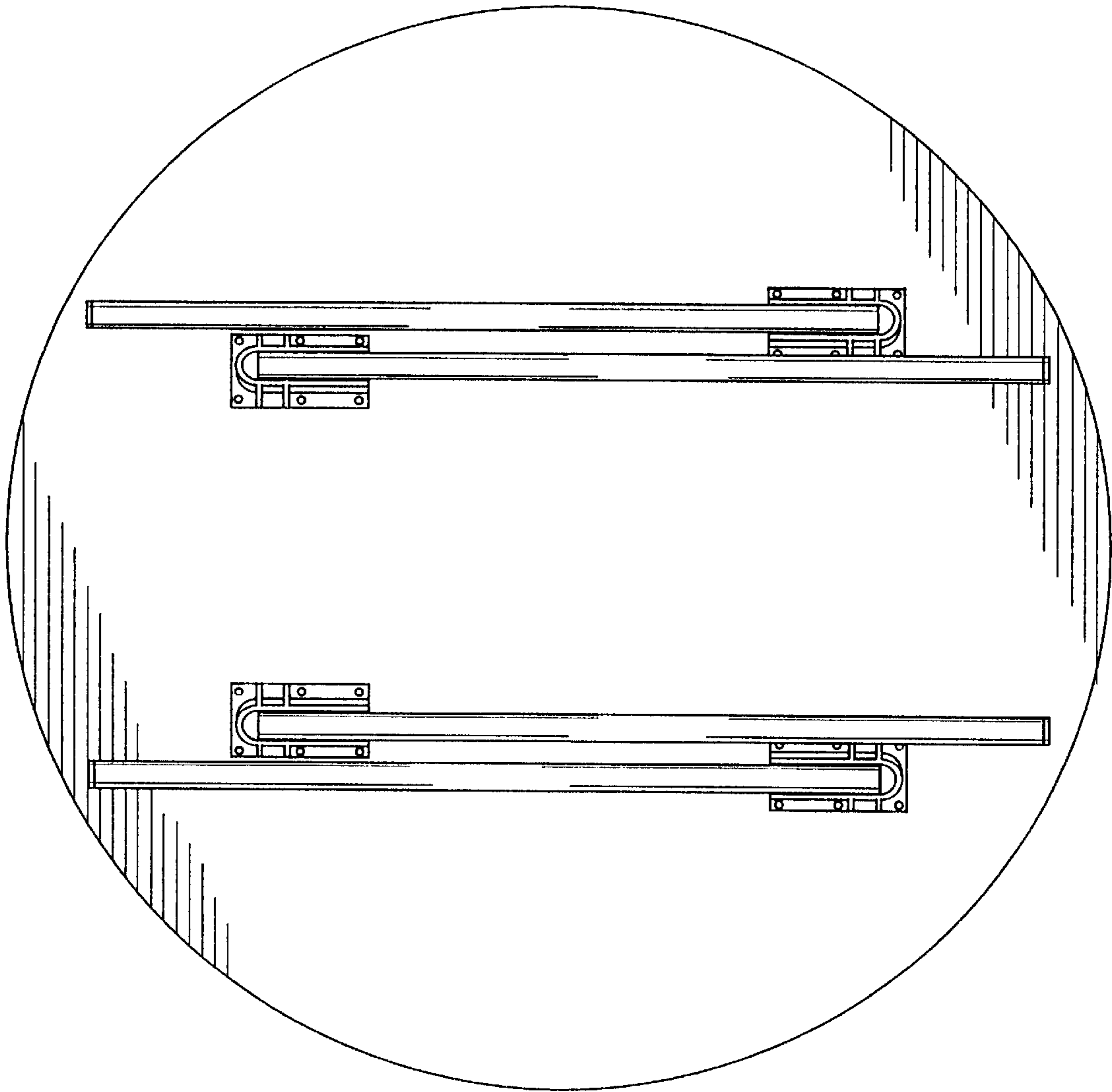


FIG. 8

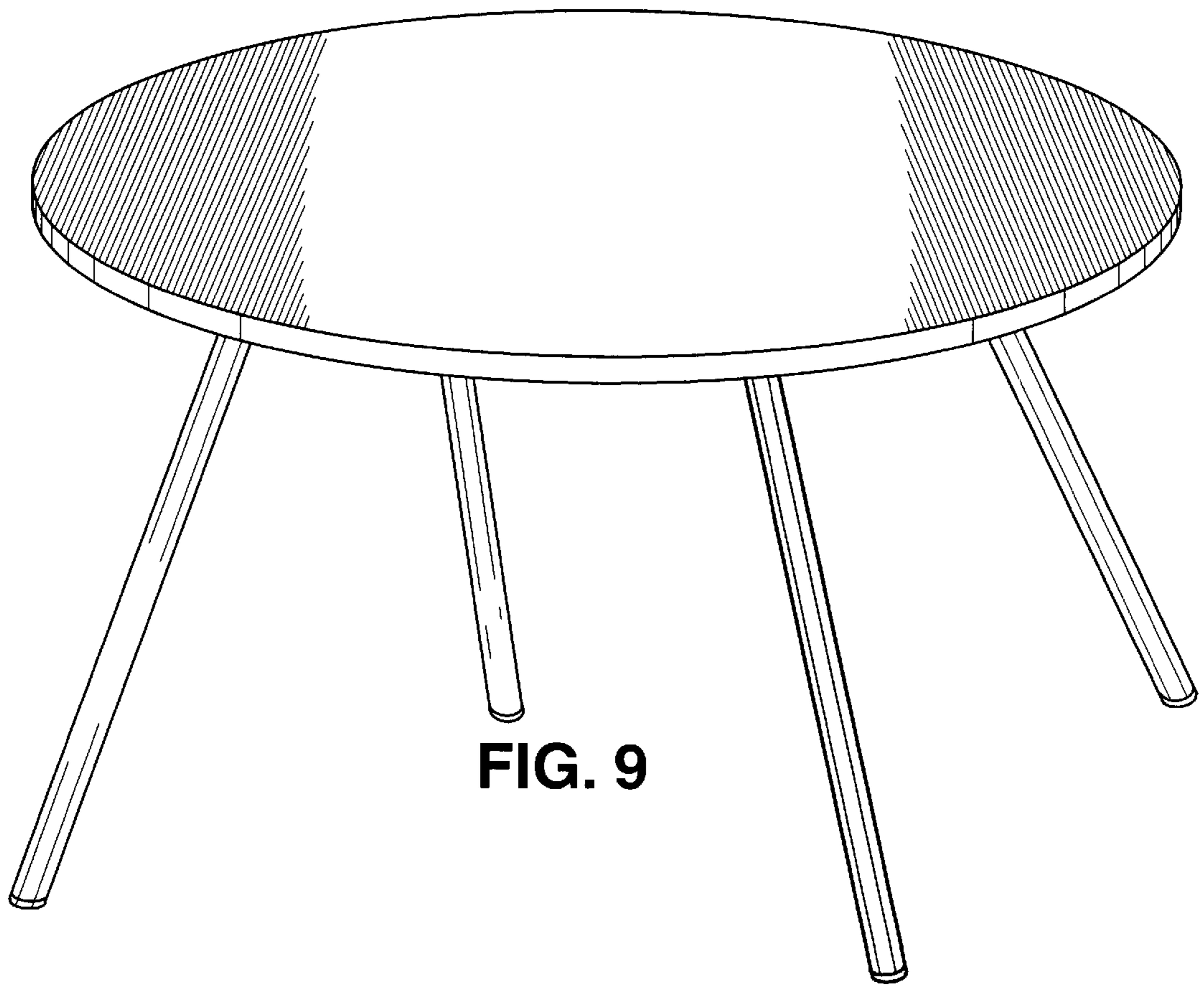


FIG. 9

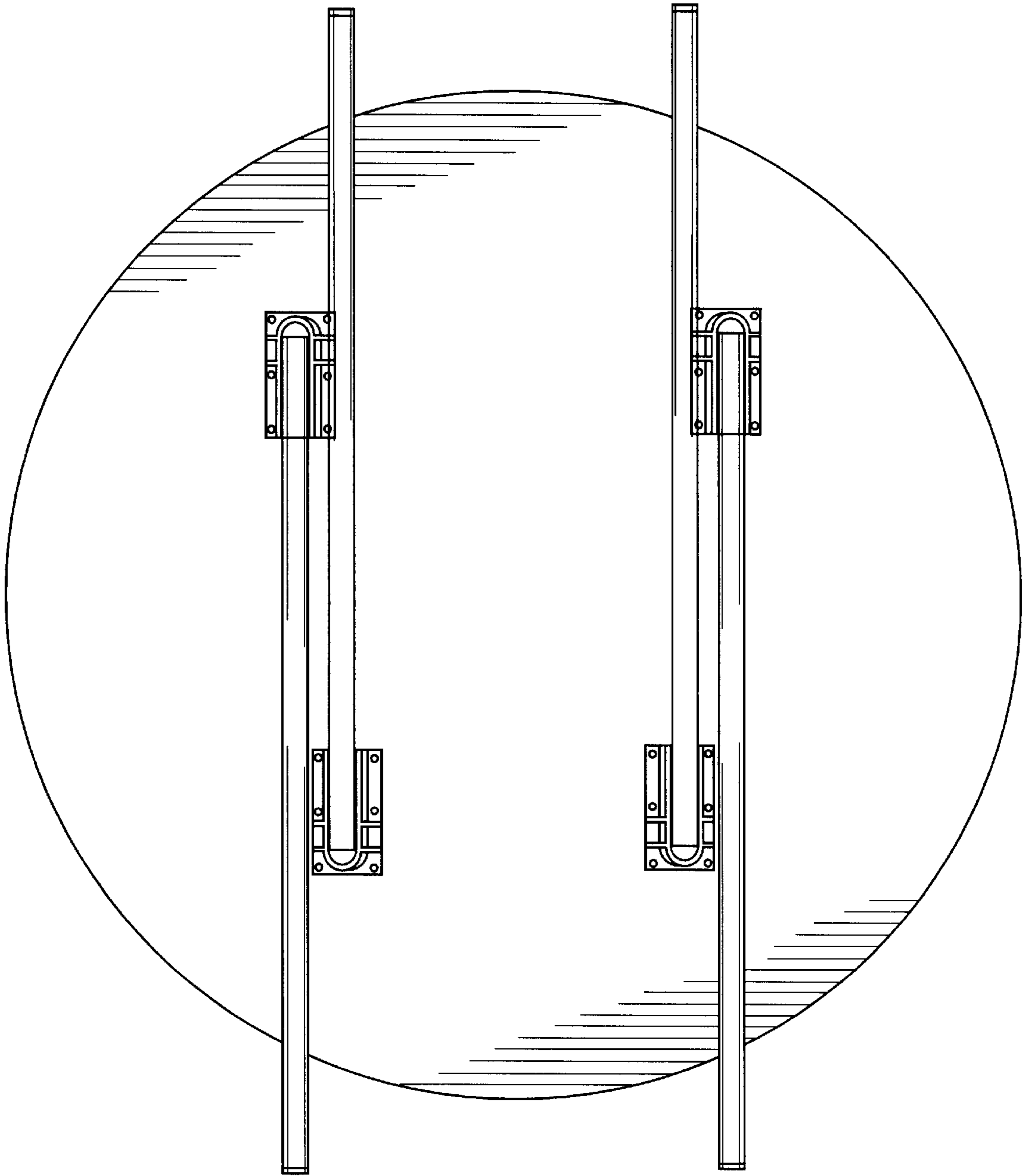


FIG. 10