



US00D477469S

(12) **United States Design Patent**
Brooks

(10) **Patent No.:** **US D477,469 S**

(45) **Date of Patent:** **** Jul. 22, 2003**

(54) **CHAIR**

(75) **Inventor:** **Paul Brooks, St. Albans (GB)**

(73) **Assignee:** **Senator International Limited,**
Lancashire (GB)

(**) **Term:** **14 Years**

(21) **Appl. No.:** **29/149,510**

(22) **Filed:** **Oct. 11, 2001**

(30) **Foreign Application Priority Data**

Apr. 12, 2001 (GB) 2101065

(51) **LOC (7) Cl.** **06-01**

(52) **U.S. Cl.** **D6/366**

(58) **Field of Search** D6/334, 364, 365,
D6/366, 367, 500, 501, 502; 297/411.2,
411.27, 411.36

(56) **References Cited**

U.S. PATENT DOCUMENTS

- D390,712 S * 2/1998 Koepke et al. D6/366
- D401,771 S * 12/1998 Goodworth et al. D6/366
- D407,911 S * 4/1999 Bräuning D6/366

- D408,163 S * 4/1999 Olson D6/366
- D410,799 S * 6/1999 Meda D6/366
- D426,966 S * 6/2000 Chu D6/366
- D434,575 S * 12/2000 Deacon D6/366
- D436,259 S * 1/2001 Nagamitsu D6/366
- D437,701 S * 2/2001 Bellini et al. D6/366
- D449,174 S * 10/2001 Neil D6/366
- D452,388 S * 12/2001 Baldanzi et al. D6/366

* cited by examiner

Primary Examiner—Gary D. Watson

(74) *Attorney, Agent, or Firm*—Salter & Michaelson

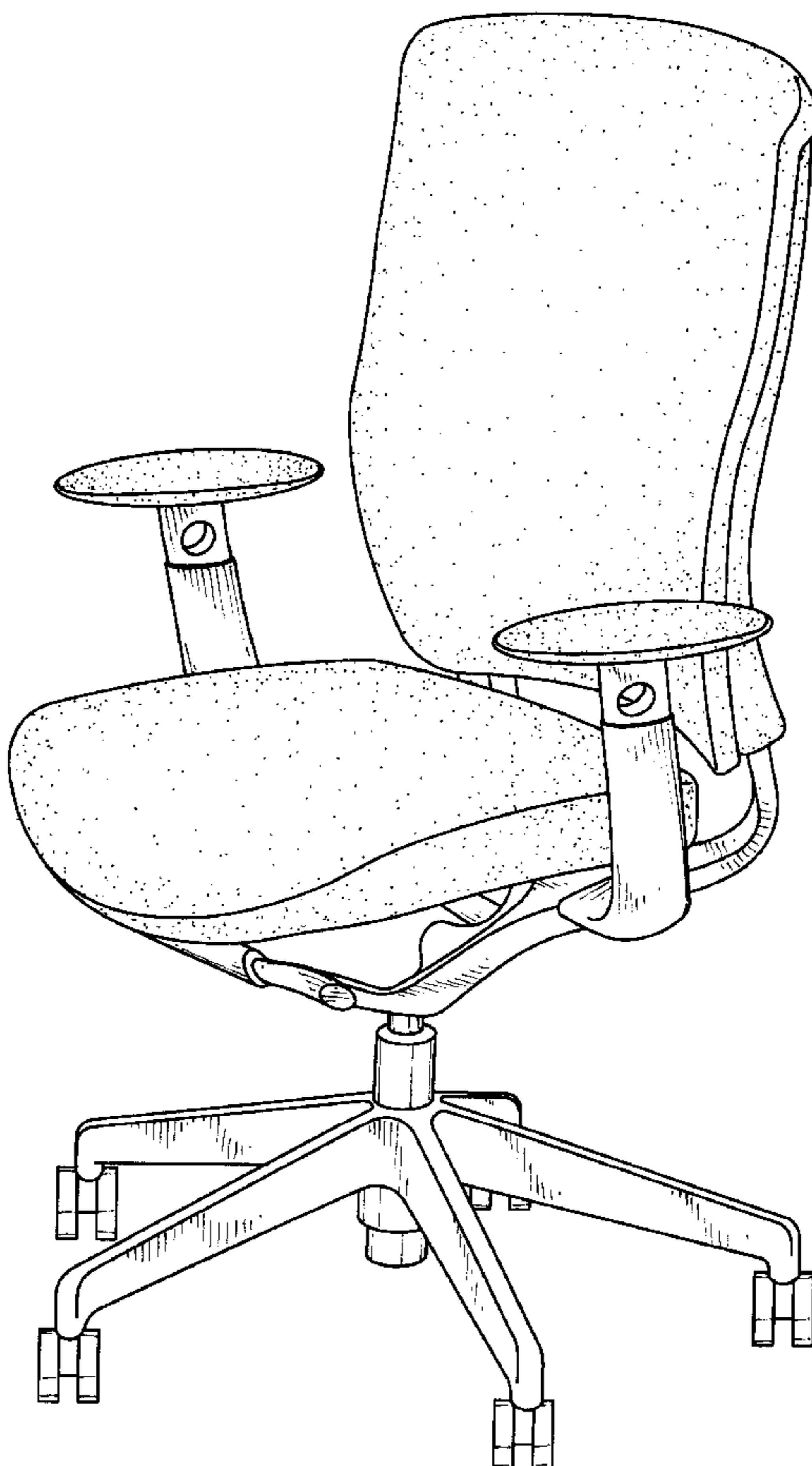
(57) **CLAIM**

The ornamental design for a chair, as shown and described.

DESCRIPTION

FIG. 1 is a front perspective view of the chair;
 FIG. 2 is a rear perspective view of the chair;
 FIG. 3 is a front elevational view of the chair;
 FIG. 4 is a rear elevational view of the chair;
 FIG. 5 is a top plan view of the chair;
 FIG. 6 is a bottom plan view of the chair;
 FIG. 7 is a left side elevational view of the chair; and,
 FIG. 8 is a right side elevational view of the chair.

1 Claim, 8 Drawing Sheets



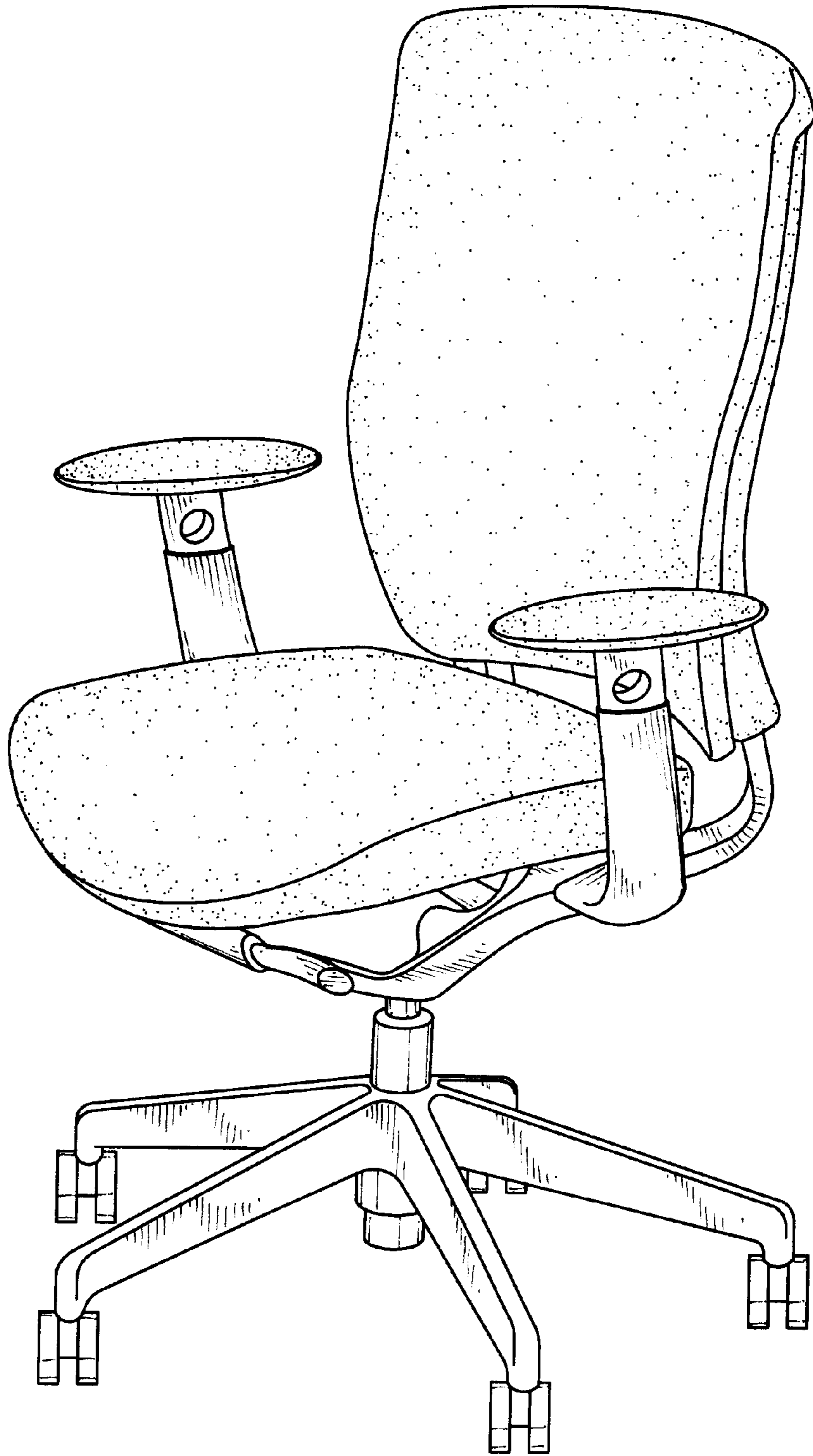


FIG. 1

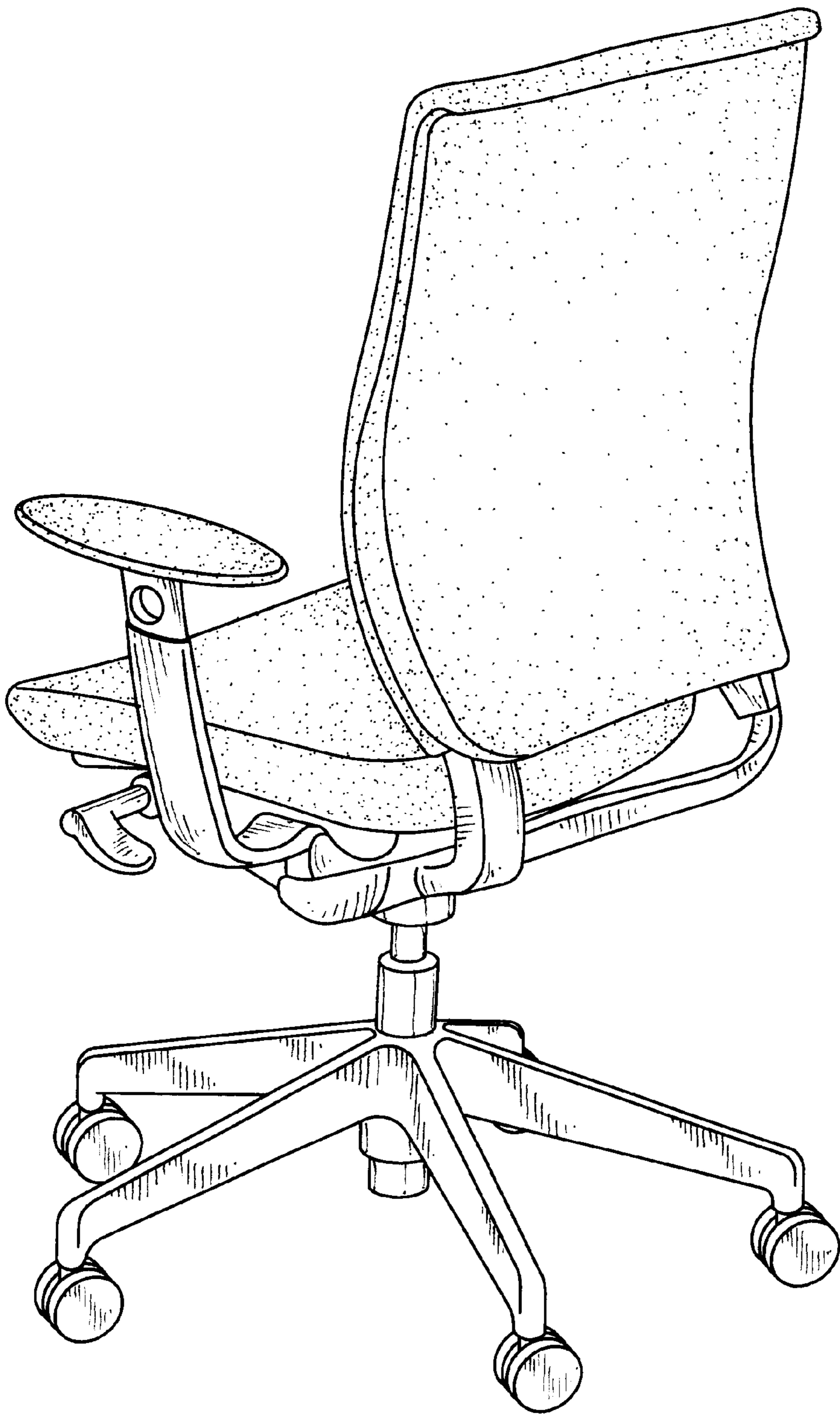


FIG. 2

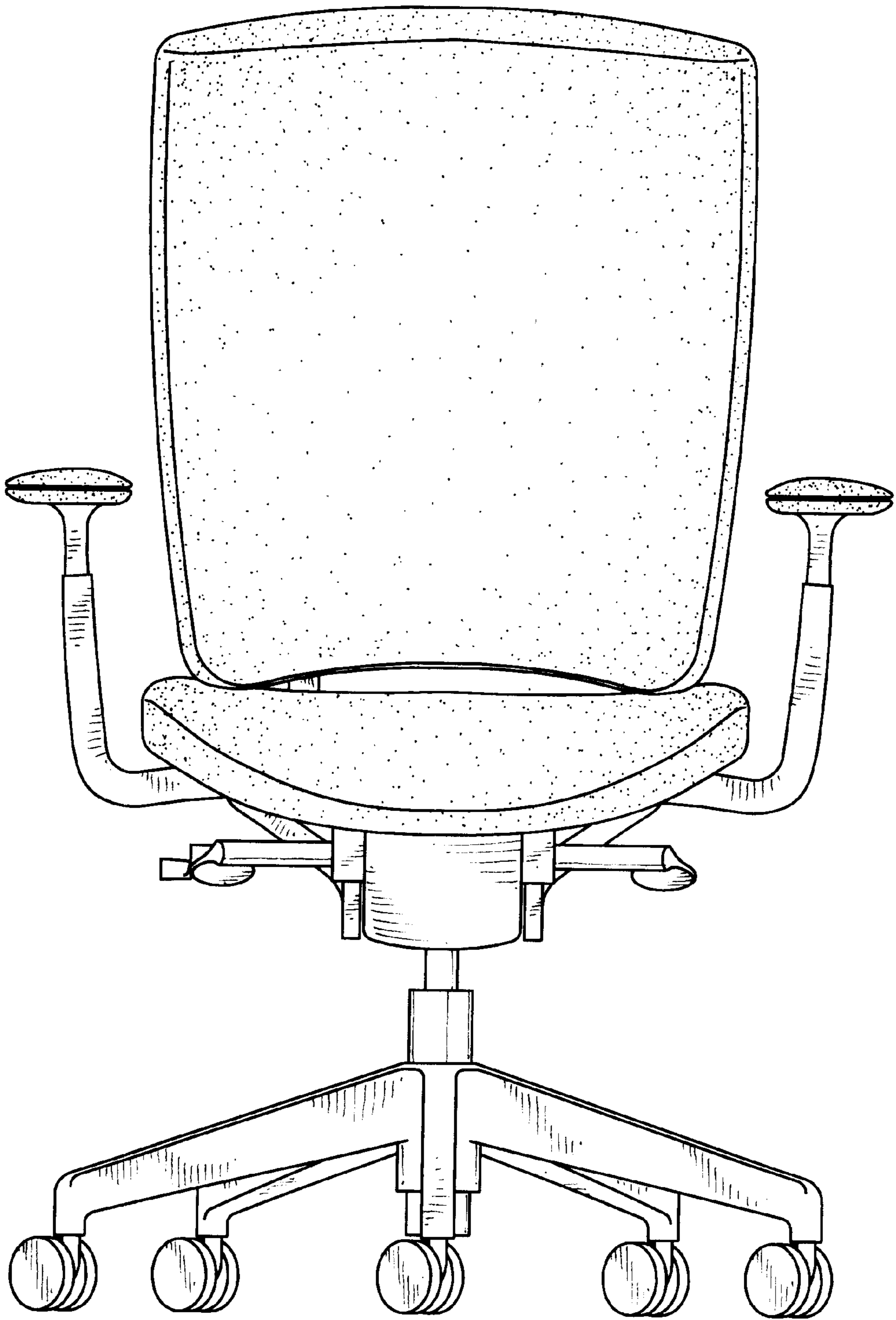


FIG. 3

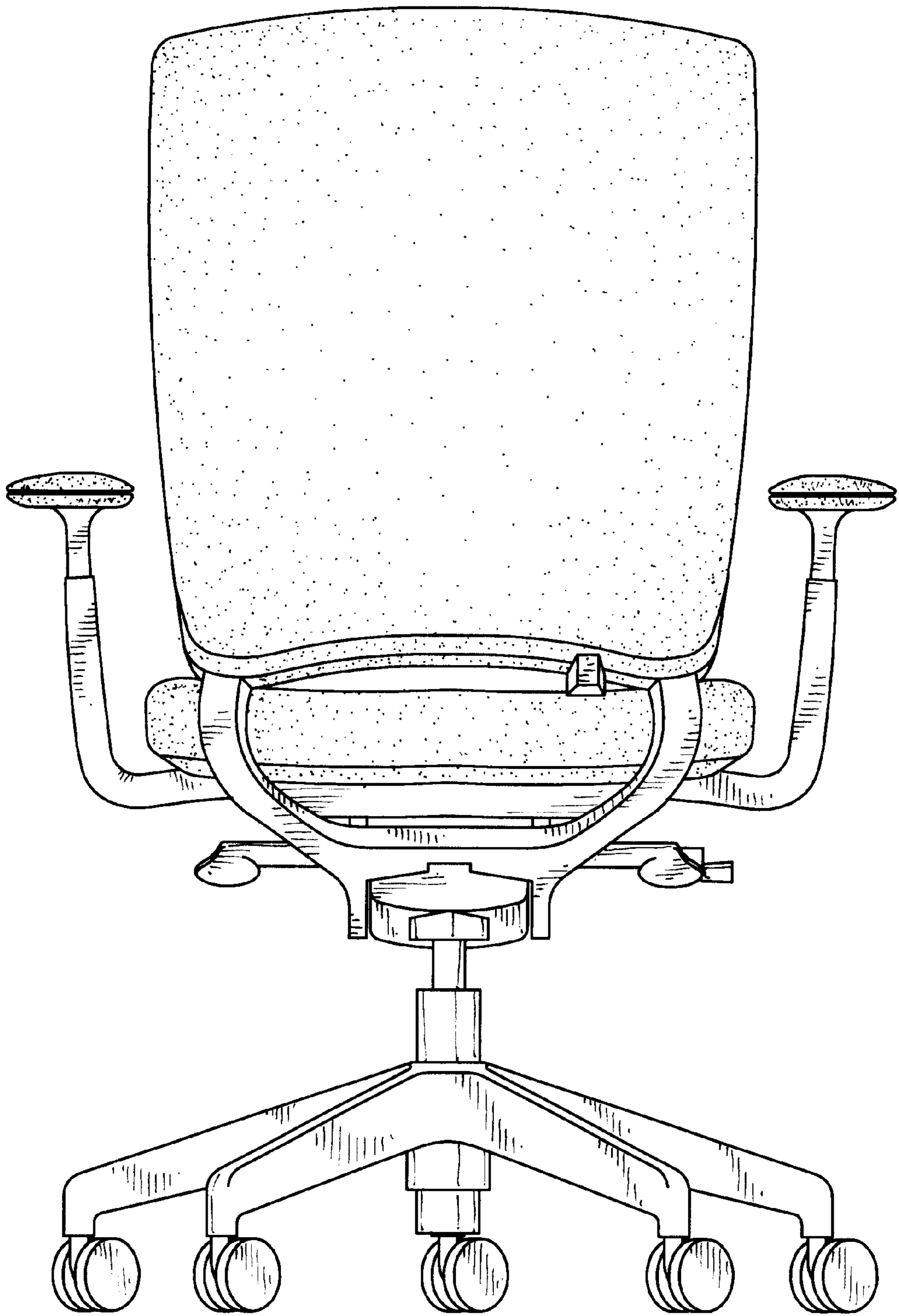


FIG. 4

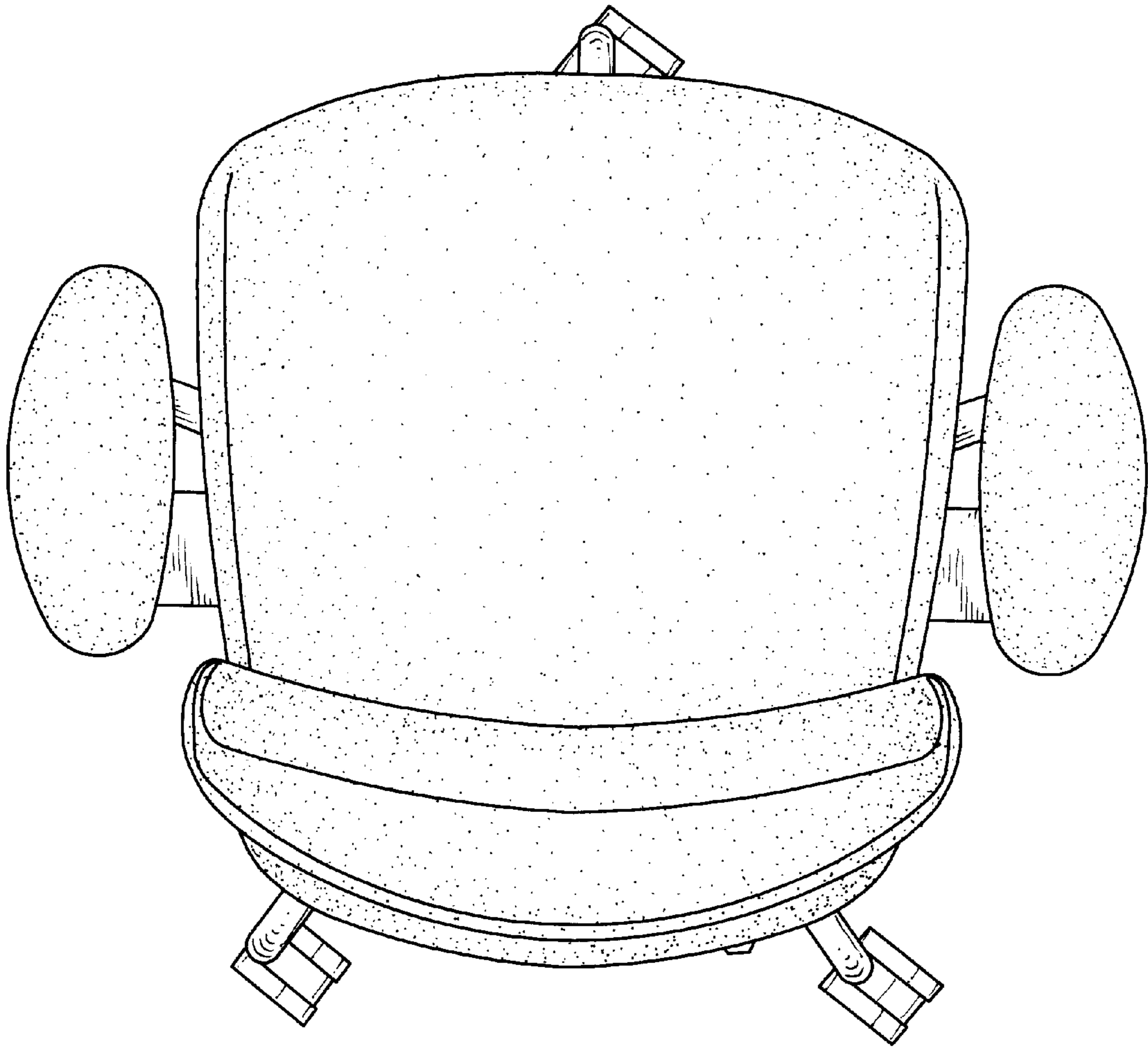


FIG. 5

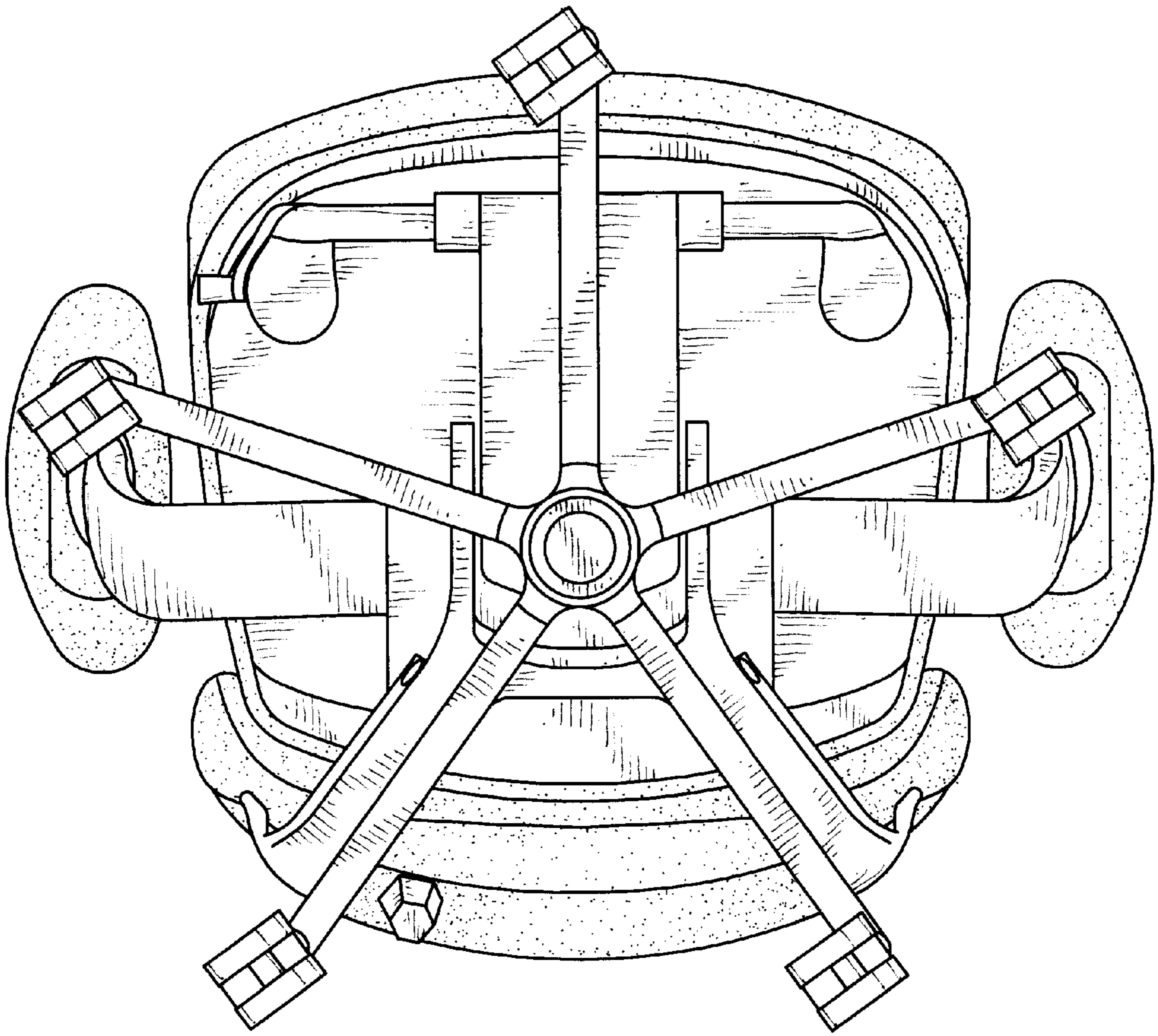


FIG. 6

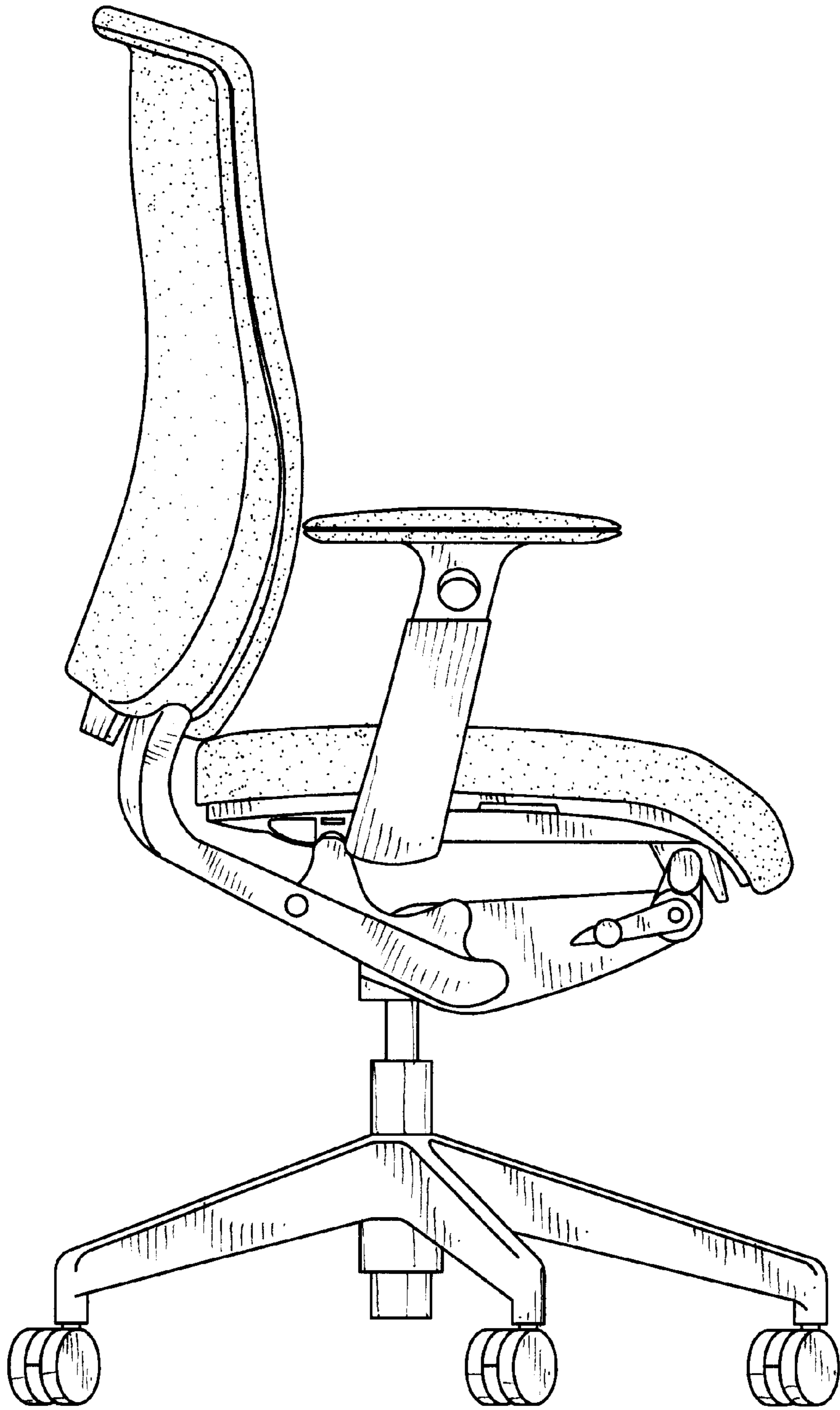


FIG. 7

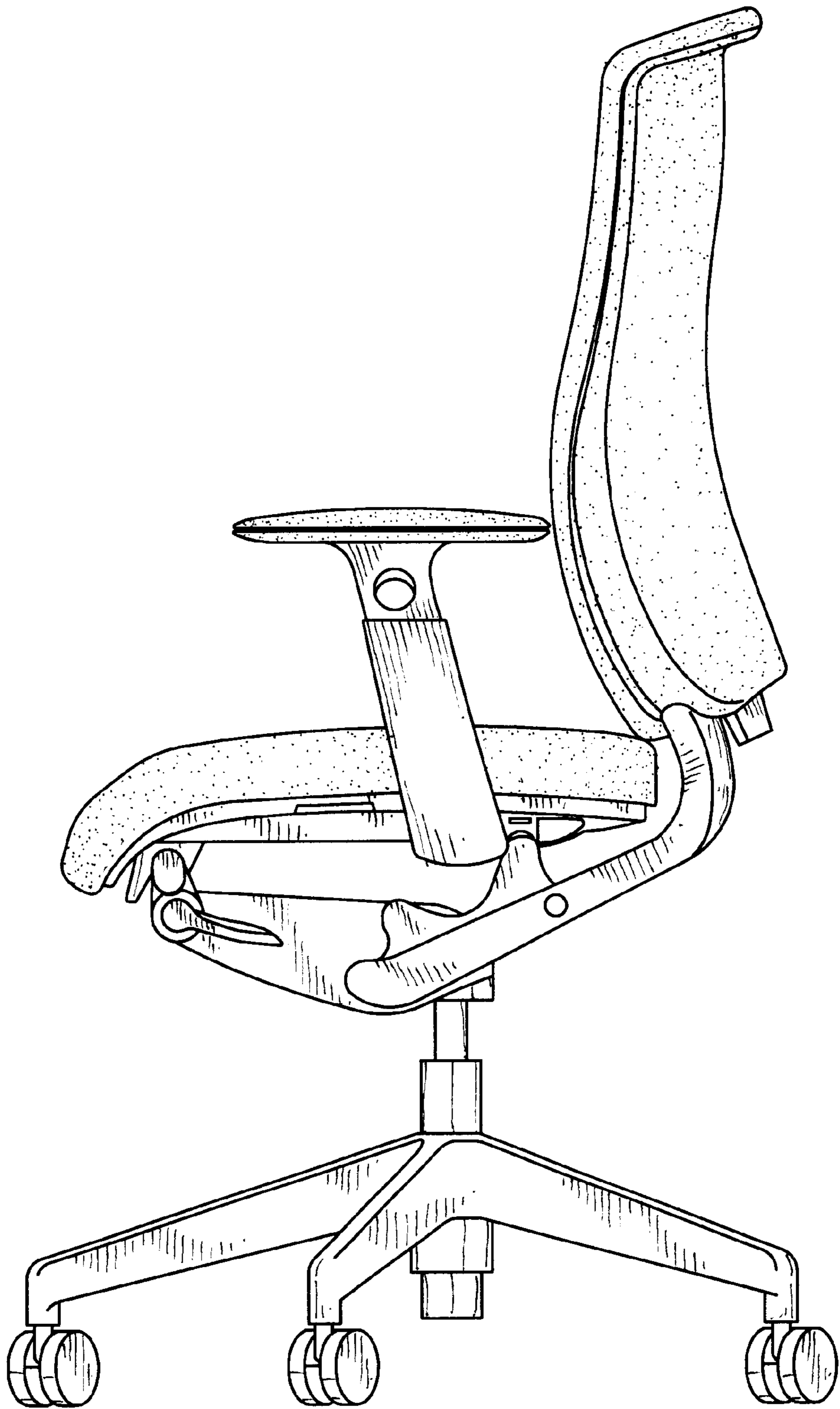


FIG. 8