



US00D477468S

(12) **United States Design Patent**  
Noll

(10) **Patent No.:** **US D477,468 S**

(45) **Date of Patent:** **\*\* Jul. 22, 2003**

(54) **GLIDER**

(76) **Inventor:** **Ronald C. Noll, 25 Fairway Trail,  
Moreland Hills, OH (US) 44022**

(\*\*) **Term:** **14 Years**

(21) **Appl. No.:** **29/164,534**

(22) **Filed:** **Jul. 26, 2002**

(51) **LOC (7) Cl.** ..... **06-01**

(52) **U.S. Cl.** ..... **D6/344**

(58) **Field of Search** ..... D6/334, 335, 344,  
D6/346, 347, 370, 371, 373, 376, 379,  
381, 500-502; 297/273, 281, 282, 258.1,  
344.21, 344.26, 452.63

(56) **References Cited**

**U.S. PATENT DOCUMENTS**

3,994,468 A	11/1976	Carter et al.	
4,213,650 A	7/1980	Sroub	
D259,308 S	5/1981	Sroub	
D287,910 S	* 1/1987	Schlarb	..... D6/347
D290,911 S	7/1987	Pomeroy et al.	
D298,490 S	11/1988	Pomeroy et al.	
4,796,949 A	1/1989	Boyce	
D307,361 S	4/1990	Pomeroy et al.	
D307,362 S	4/1990	Pomeroy et al.	
D307,363 S	4/1990	Pomeroy et al.	
D307,523 S	5/1990	Pomeroy et al.	
D310,604 S	9/1990	Pomeroy et al.	
D325,823 S	5/1992	Pomeroy et al.	
D328,197 S	7/1992	Braxton, III	
D328,821 S	8/1992	Wooding et al.	
D334,485 S	4/1993	Pomeroy et al.	
D336,788 S	6/1993	Vasquez	
D349,818 S	8/1994	Noll	
D350,855 S	9/1994	Pomeroy et al.	
D360,312 S	* 7/1995	Lee	..... D6/335
D361,673 S	8/1995	Pomeroy et al.	

D362,349 S	9/1995	Pomeroy et al.
D365,692 S	1/1996	Pomeroy et al.
5,667,273 A	9/1997	Noll
D399,064 S	10/1998	Noll
D399,065 S	10/1998	Noll
D400,720 S	11/1998	Pomeroy et al.
D403,516 S	1/1999	Noll
D406,948 S	3/1999	Noll
D410,340 S	6/1999	Pomeroy et al.
D417,559 S	12/1999	Pomeroy et al.
D423,801 S	5/2000	Noll
D432,323 S	10/2000	Pomeroy et al.
D434,573 S	12/2000	Noll
6,199,950 B1	3/2001	Noll
D443,425 S	6/2001	Pomeroy et al.
D444,306 S	7/2001	Jaisinghani
D444,635 S	7/2001	Noll
D449,454 S	10/2001	Pomeroy et al.
D450,193 S	11/2001	Pomeroy et al.
D450,937 S	11/2001	Pomeroy et al.

\* cited by examiner

*Primary Examiner*—Doris V. Coles  
*Assistant Examiner*—Mimosa De  
(74) *Attorney, Agent, or Firm*—Pearne & Gordon LLP

(57) **CLAIM**

The ornamental design for a glider, as shown and described.

**DESCRIPTION**

FIG. 1 is a perspective view of a glider according to the present invention;  
FIG. 2 is a front view thereof;  
FIG. 3 is a right side view thereof, a left side view being a mirror image thereof;  
FIG. 4 is a top view thereof;  
FIG. 5 is a rear view thereof; and,  
FIG. 6 is a bottom view thereof.

**1 Claim, 4 Drawing Sheets**

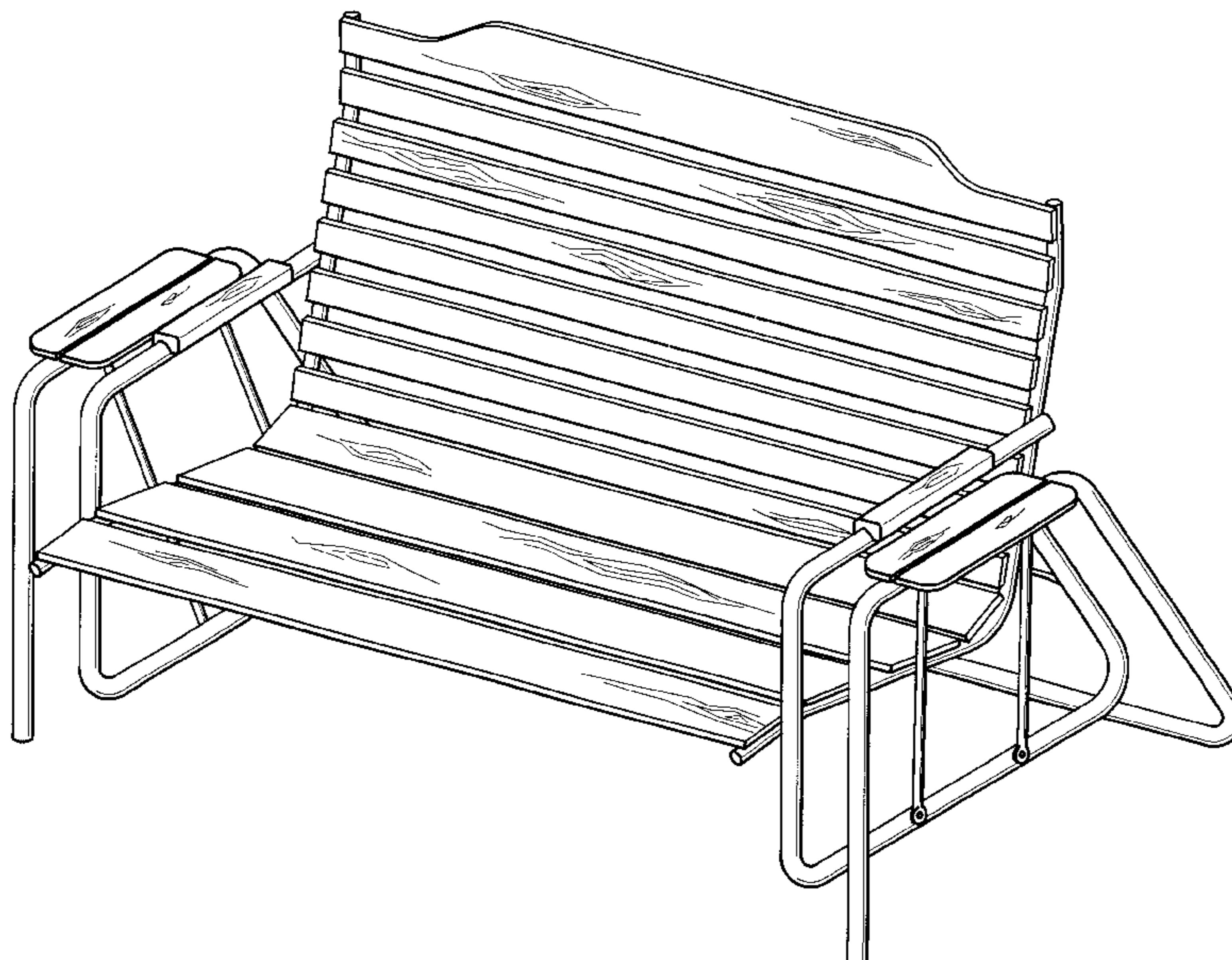
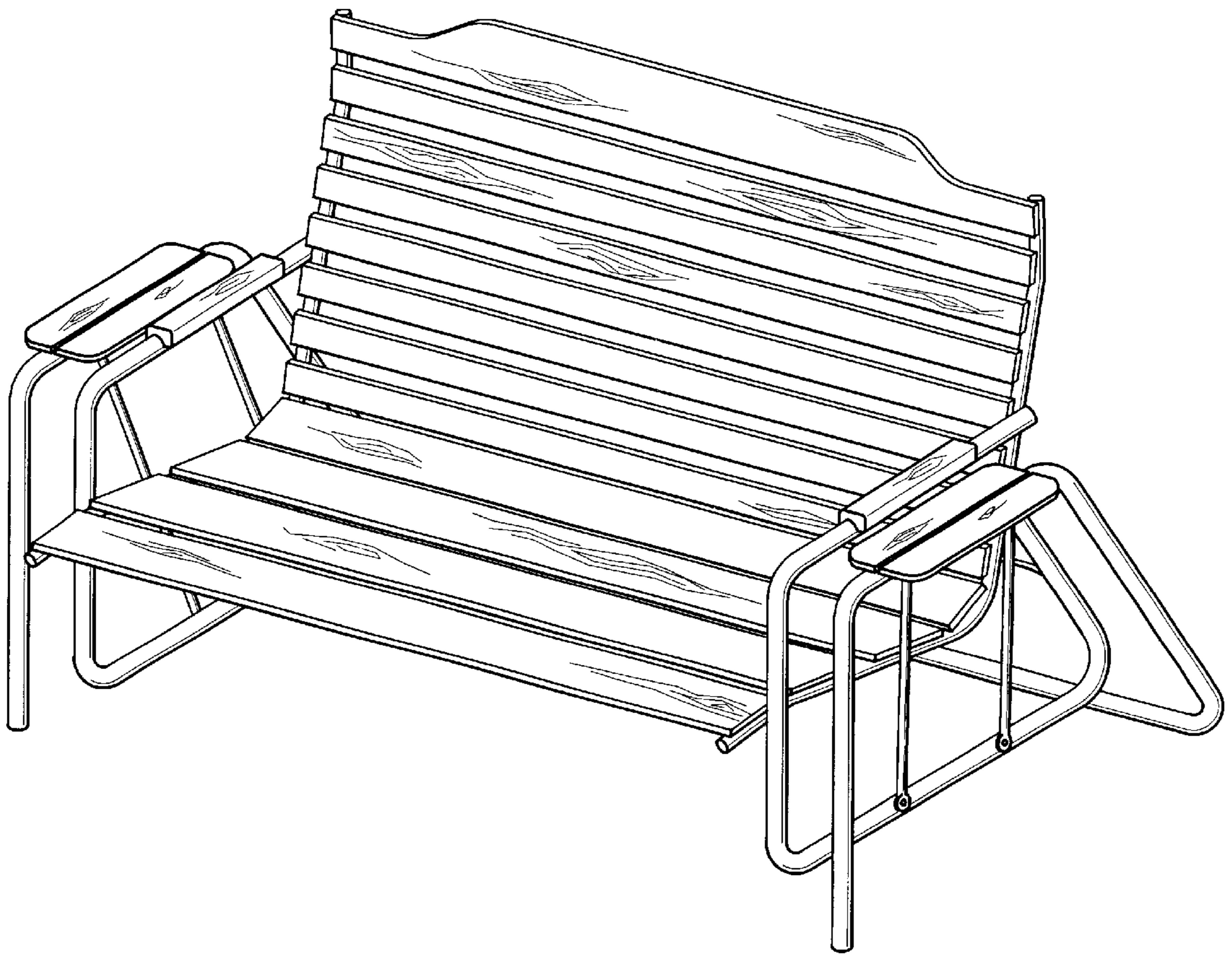


FIG. 1



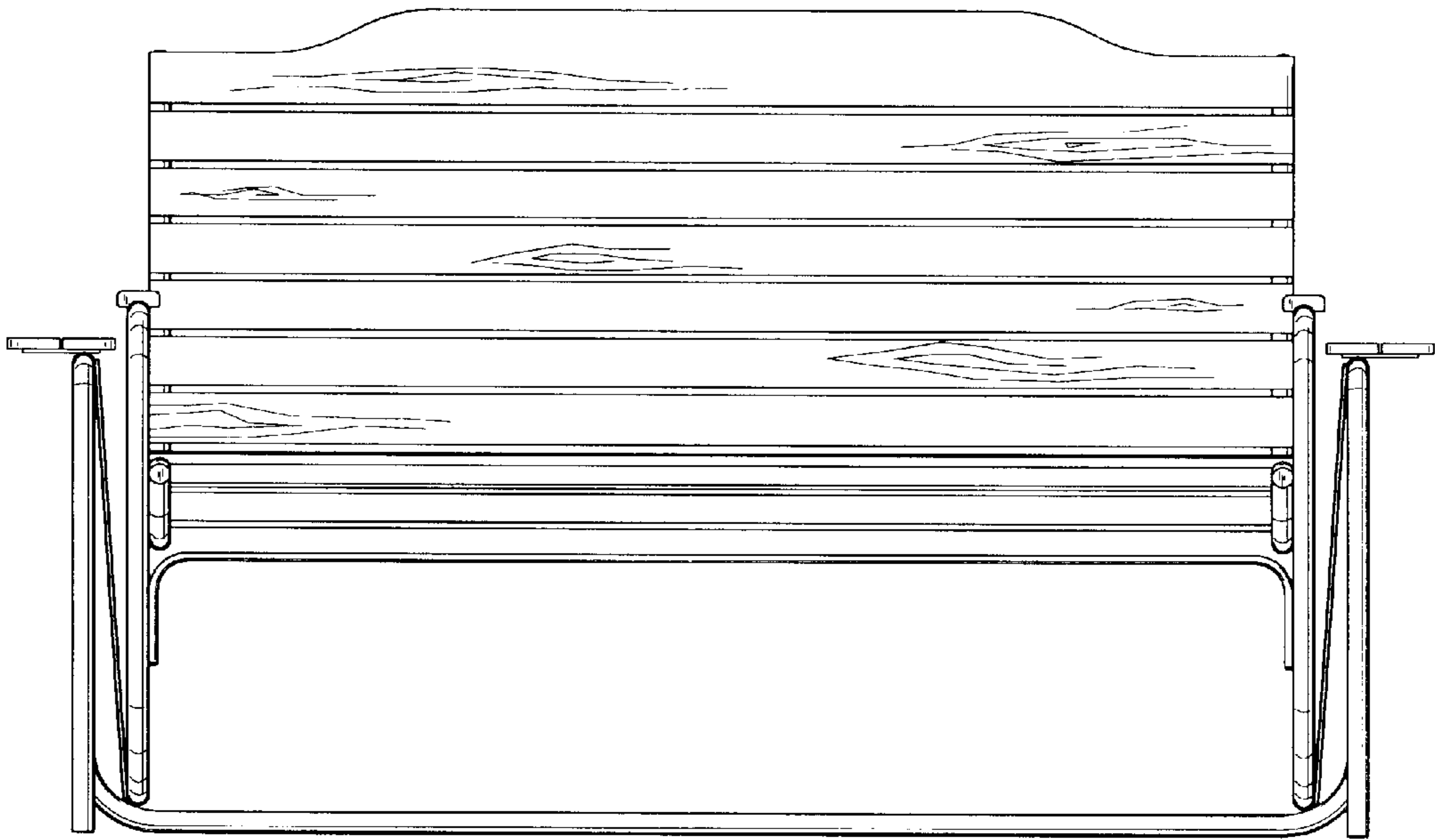


FIG. 2

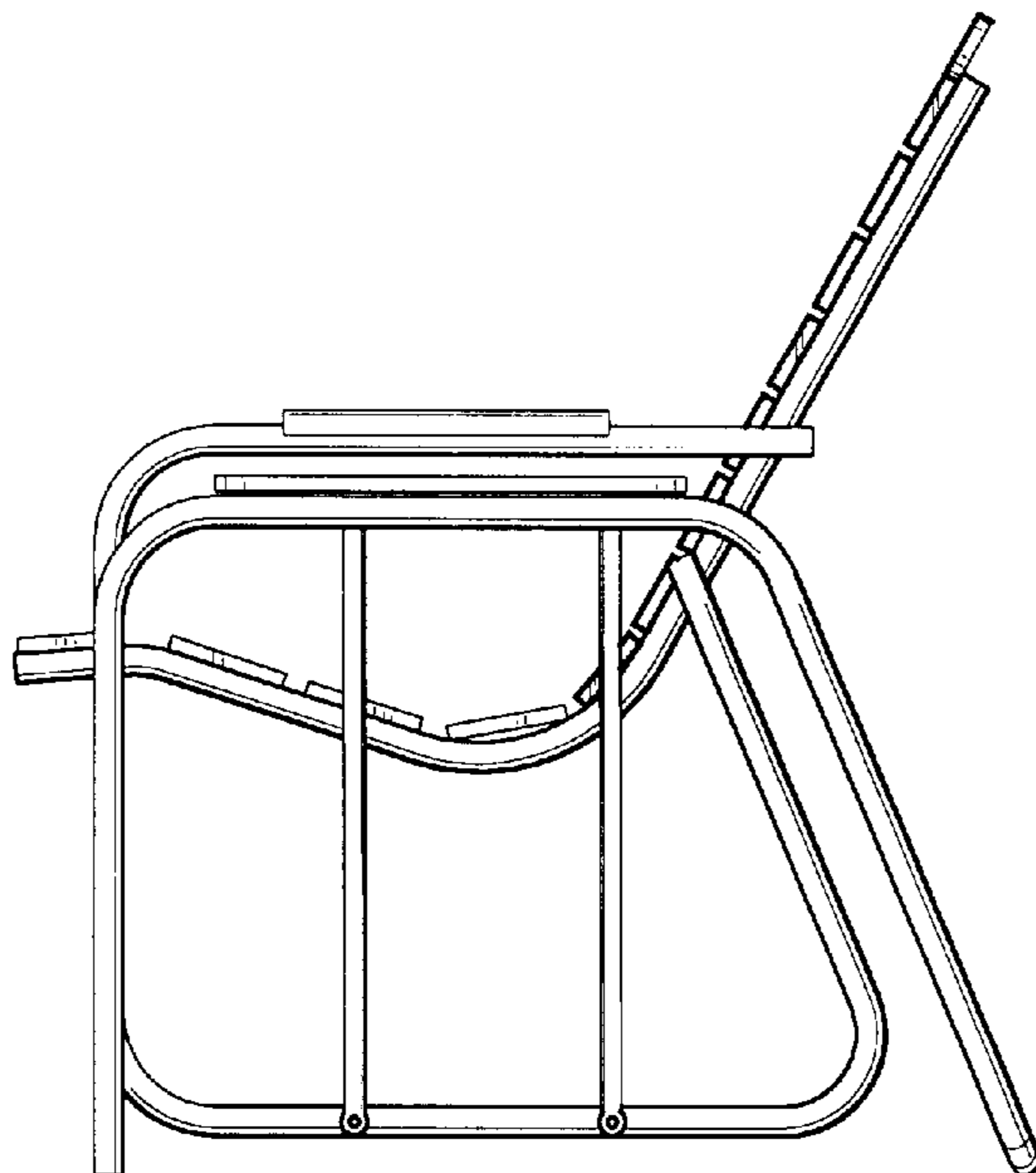


FIG. 3

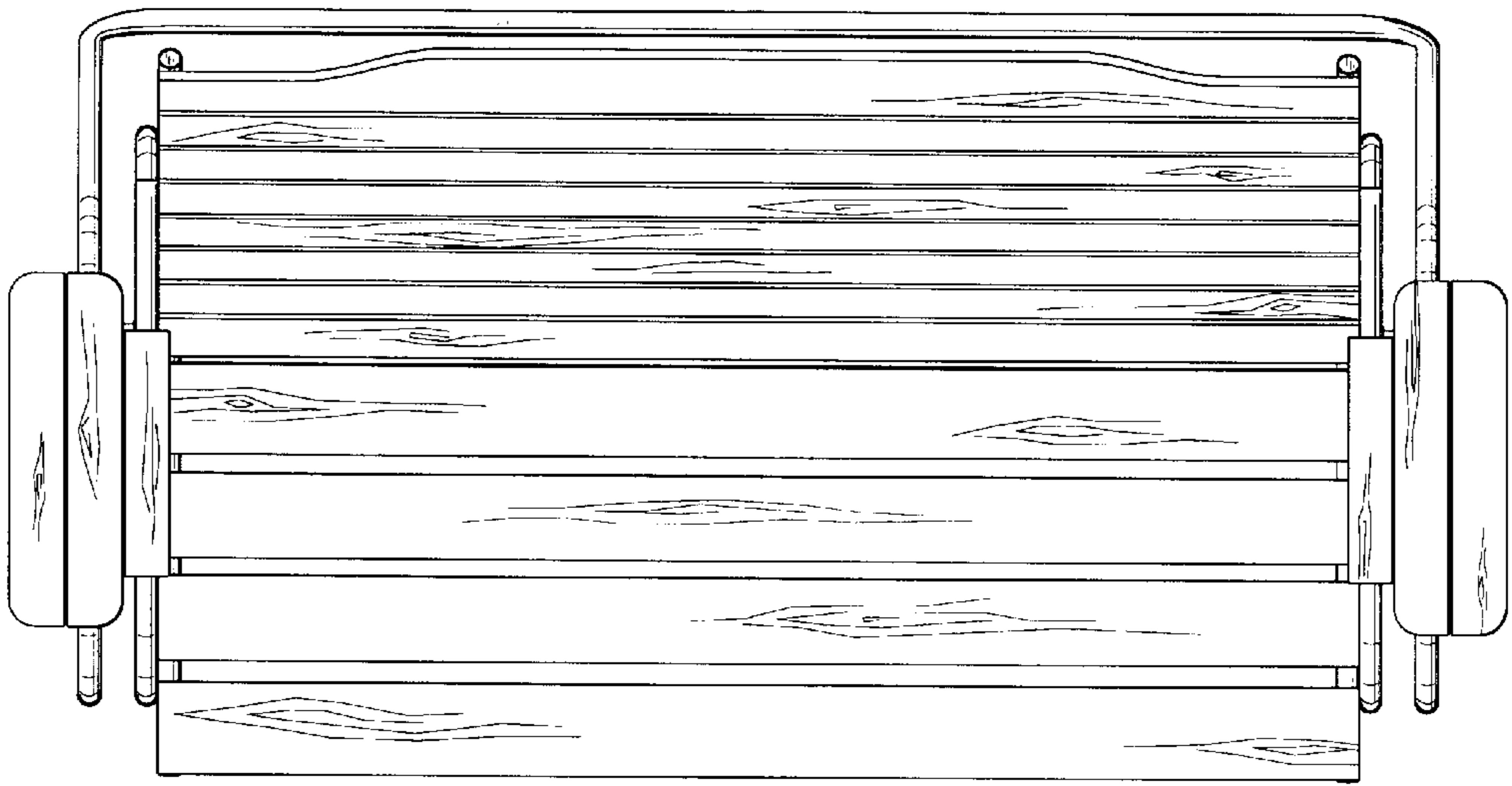


FIG. 4

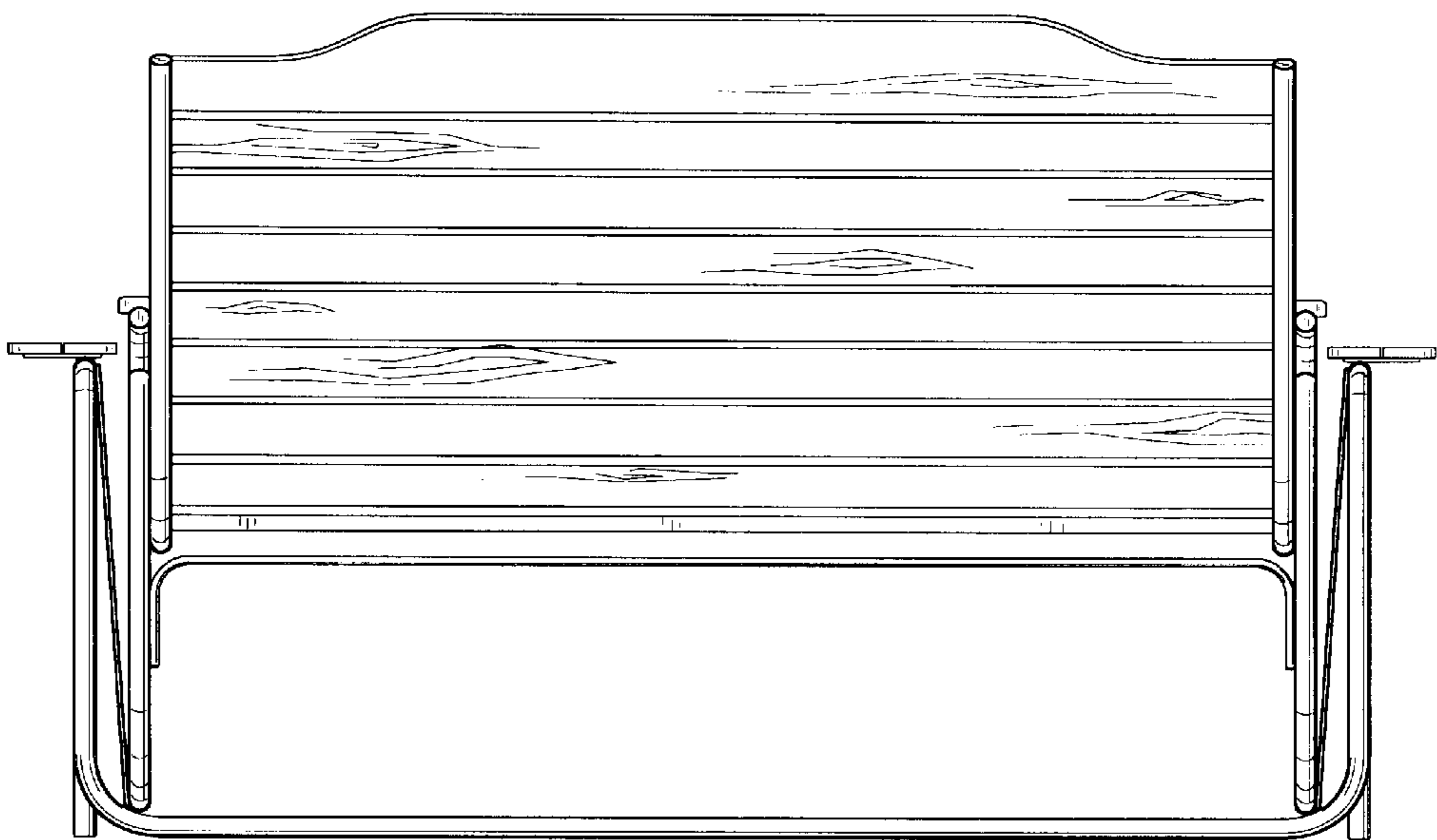


FIG. 5

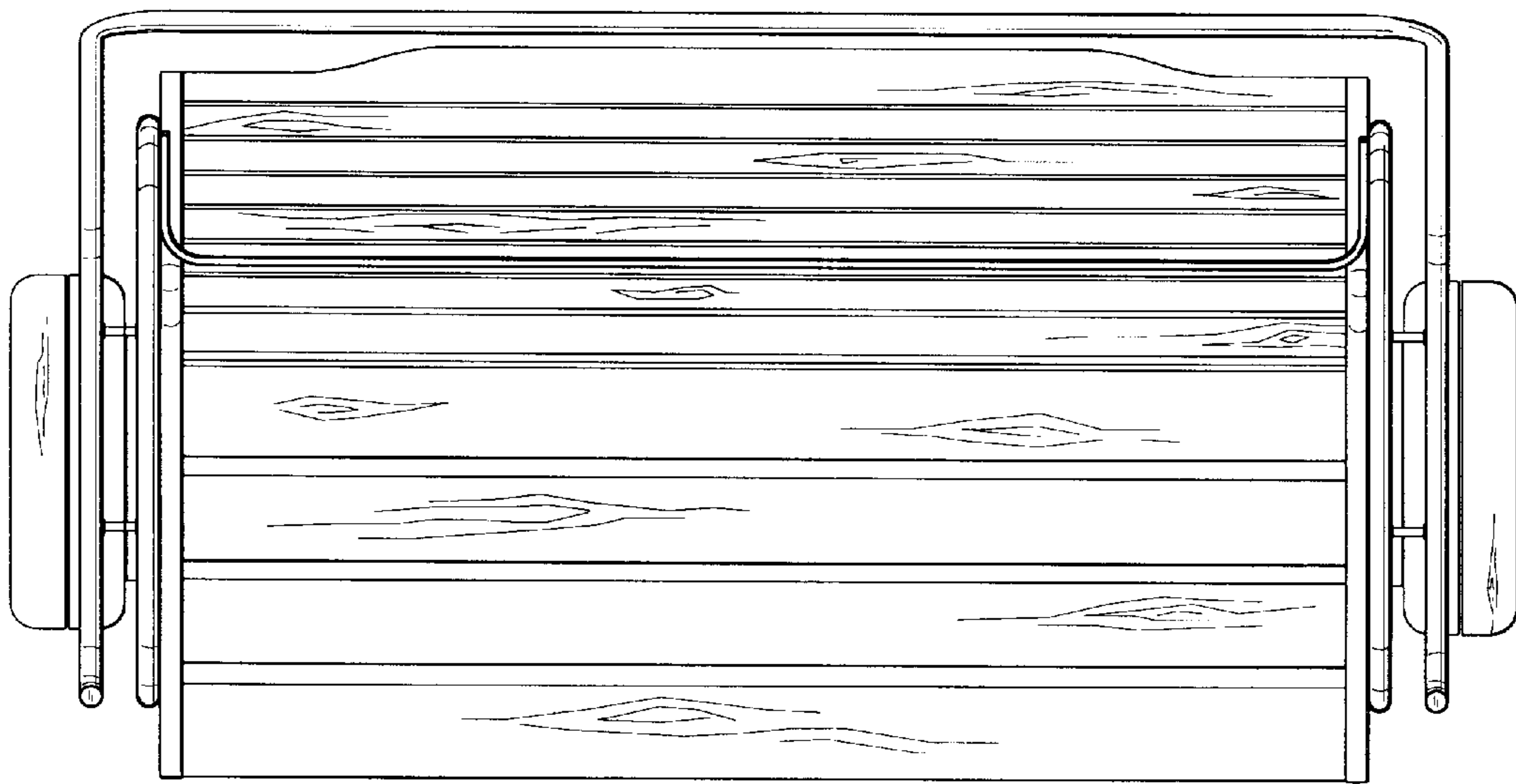


FIG. 6