



US00D477466S

(12) **United States Design Patent**
Jones

(10) **Patent No.:** **US D477,466 S**

(45) **Date of Patent:** **** Jul. 22, 2003**

(54) **TOOTHBRUSH WITH STAND**

D403,512 S * 1/1999 Hennings D4/108

(76) **Inventor:** **Loyd Jones**, 942 E. Gladwick St.,
Carson, CA (US) 90746

* cited by examiner

(**) **Term:** **14 Years**

Primary Examiner—Holly Baynham

(74) *Attorney, Agent, or Firm*—Goldstein & Lavas, P.C.

(21) **Appl. No.:** **29/168,978**

(57) **CLAIM**

(22) **Filed:** **Oct. 11, 2002**

The ornamental design for a toothbrush with stand, as shown and described.

(51) **LOC (7) Cl.** **04-02**

DESCRIPTION

(52) **U.S. Cl.** **D4/108**

(58) **Field of Search** D4/104–112; 15/143.1,
15/159.1, 167.1, 186–187

FIG. 1 is a perspective view of a toothbrush with stand.

FIG. 2 is a front elevational view thereof.

FIG. 3 is a rear elevational view thereof.

FIG. 4 is a right side elevational view thereof.

FIG. 5 is a left side elevational view thereof.

FIG. 6 is a top plan view of the toothbrush with stand.

FIG. 7 is a bottom plan view thereof; and,

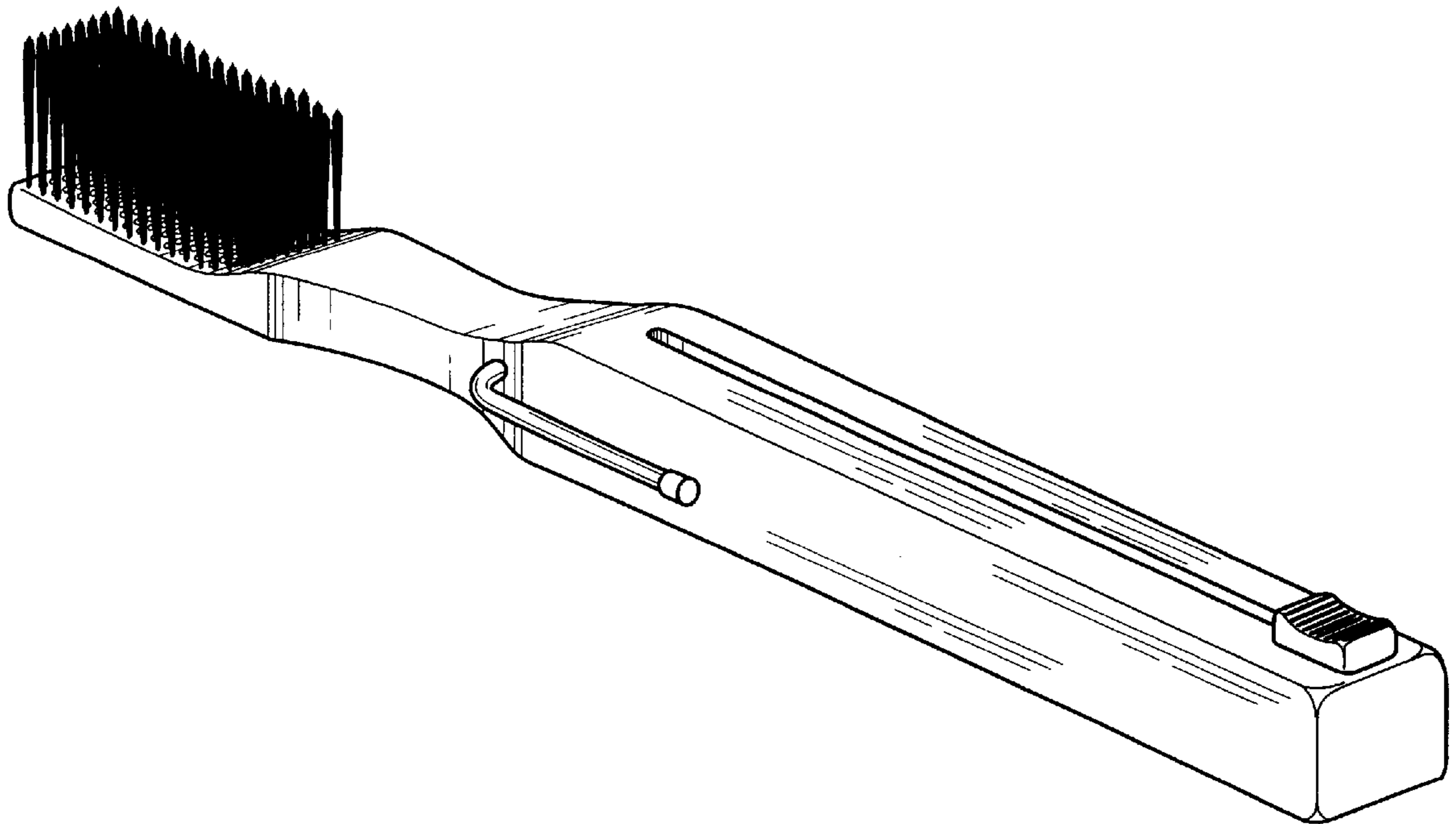
FIG. 8 is a side elevational view of the toothbrush with stand, illustrating the toothbrush in an elevated position.

(56) **References Cited**

U.S. PATENT DOCUMENTS

4,332,497 A	6/1982	Rodriguez	401/154
4,622,984 A	11/1986	Gaebel	132/84
5,315,732 A	* 5/1994	Huefner et al.	15/167.1
5,439,014 A	8/1995	Moussa	132/311
5,715,556 A	* 2/1998	Chung	15/22.1
D402,473 S	* 12/1998	Robertson	D4/108

1 Claim, 3 Drawing Sheets



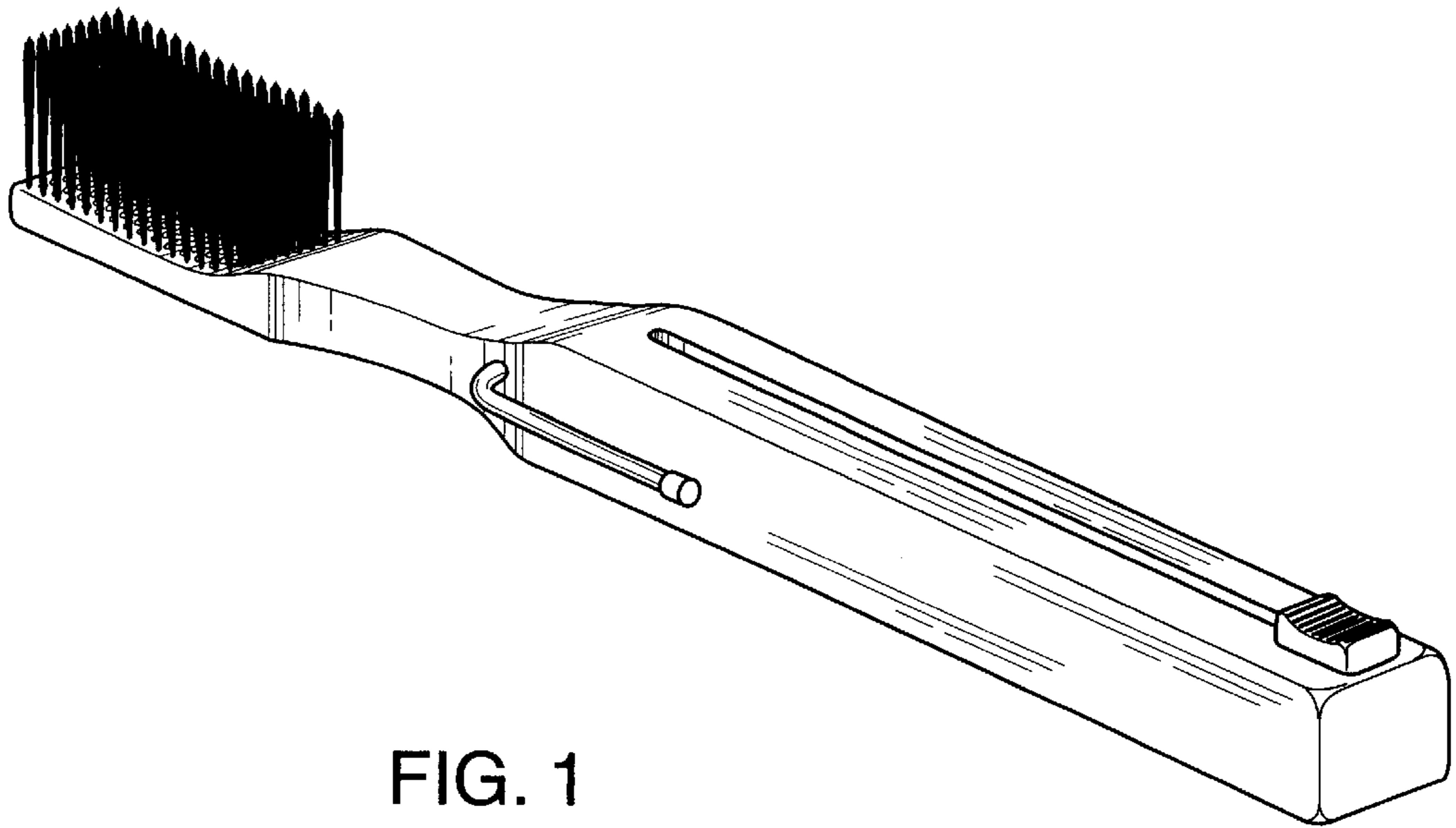


FIG. 1

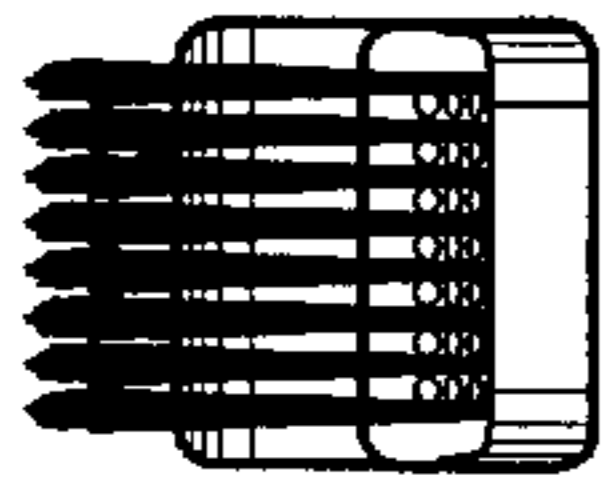


FIG. 2

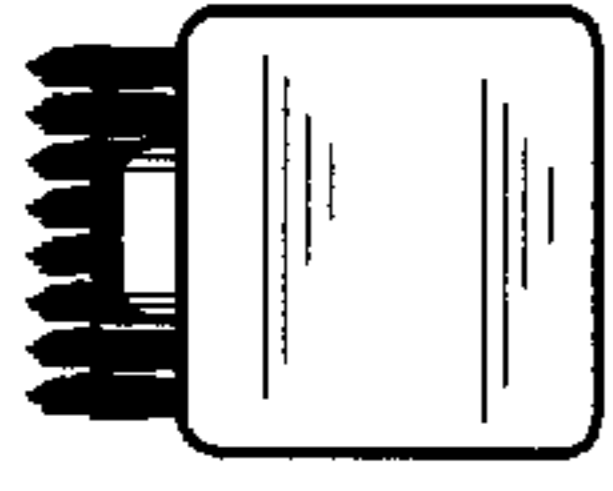


FIG. 3

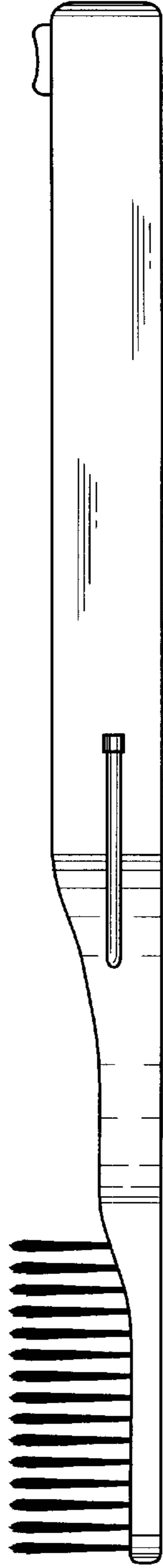


FIG. 4

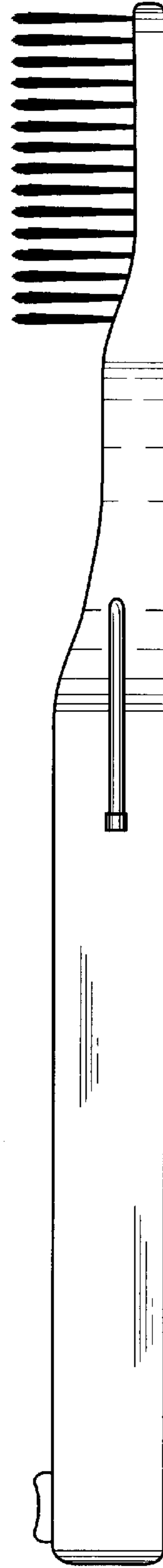


FIG. 5

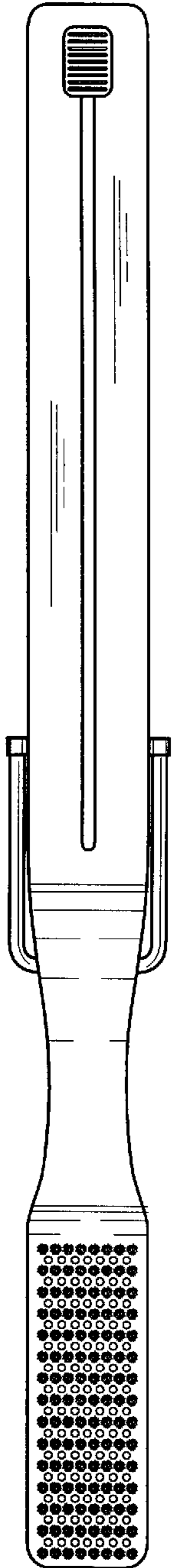


FIG. 6

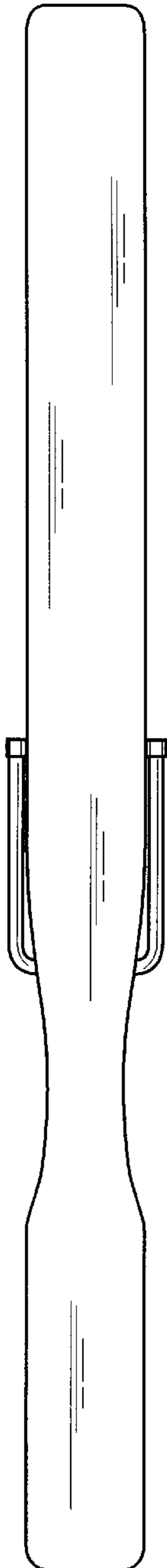


FIG. 7

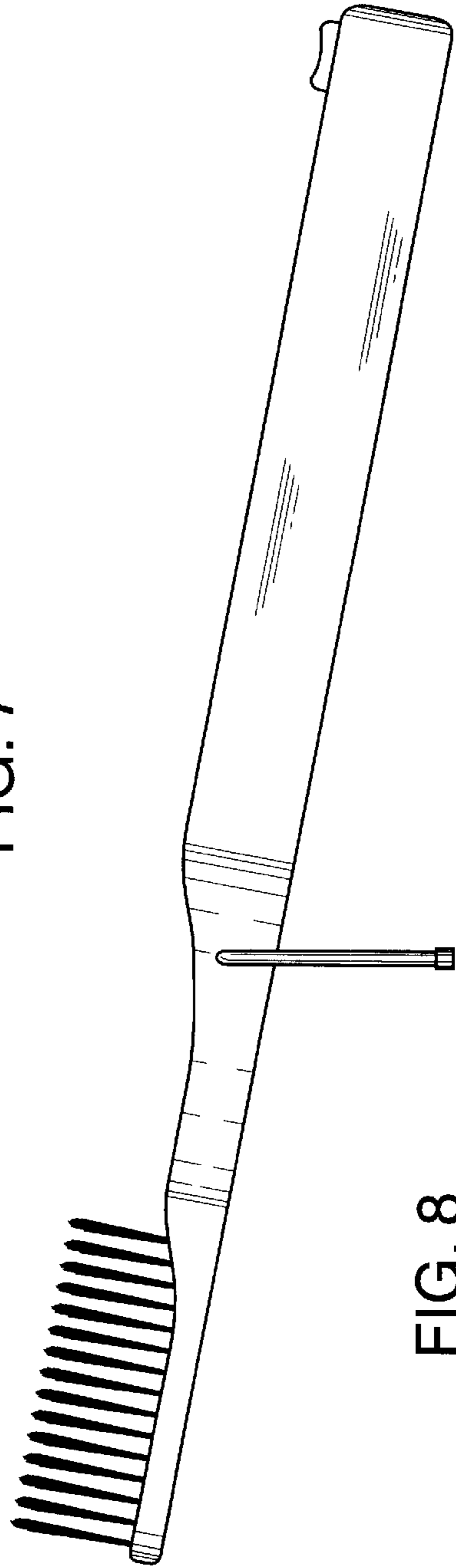


FIG. 8