



US00D477465S

(12) **United States Design Patent**
Reilly et al.

(10) **Patent No.:** **US D477,465 S**

(45) **Date of Patent:** **** Jul. 22, 2003**

(54) **PORTION OF A TOOTHBRUSH**

D437,688 S * 2/2001 Beals et al. D4/104
D443,985 S * 6/2001 Beals et al. D4/104

(75) Inventors: **Patrick Shaun Reilly**, Lisbon, IA (US);
Kenneth Bradley Wilson, Iowa City,
IA (US); **Till Winkler**, Kronberg (DE)

* cited by examiner

Primary Examiner—Holly Baynham
(74) *Attorney, Agent, or Firm*—David Howley

(73) Assignee: **The Gillette Company**, Boston, MA
(US)

(57) **CLAIM**

(**) Term: **14 Years**

The ornamental design for a portion of a toothbrush, as shown and described.

(21) Appl. No.: **29/159,505**

DESCRIPTION

(22) Filed: **Apr. 23, 2002**

(51) **LOC (7) Cl.** **04-02**

(52) **U.S. Cl.** **D4/104**

(58) **Field of Search** D4/104-112; 15/207.2,
15/143.1, 167.1-167.2

FIG. 1 is a perspective view as seen from the top, front and side of a portion of a toothbrush showing our new design; FIG. 2 is a top plan view thereof; FIG. 3 is a side elevational view thereof, the opposite side elevation being a mirror image thereof; FIG. 4 is a bottom plan view thereof; FIG. 5 is a front elevational view thereof; and, FIG. 6 is a rear elevational view thereof.

(56) **References Cited**

U.S. PATENT DOCUMENTS

D424,808 S * 5/2000 Beals et al. D4/104

1 Claim, 3 Drawing Sheets

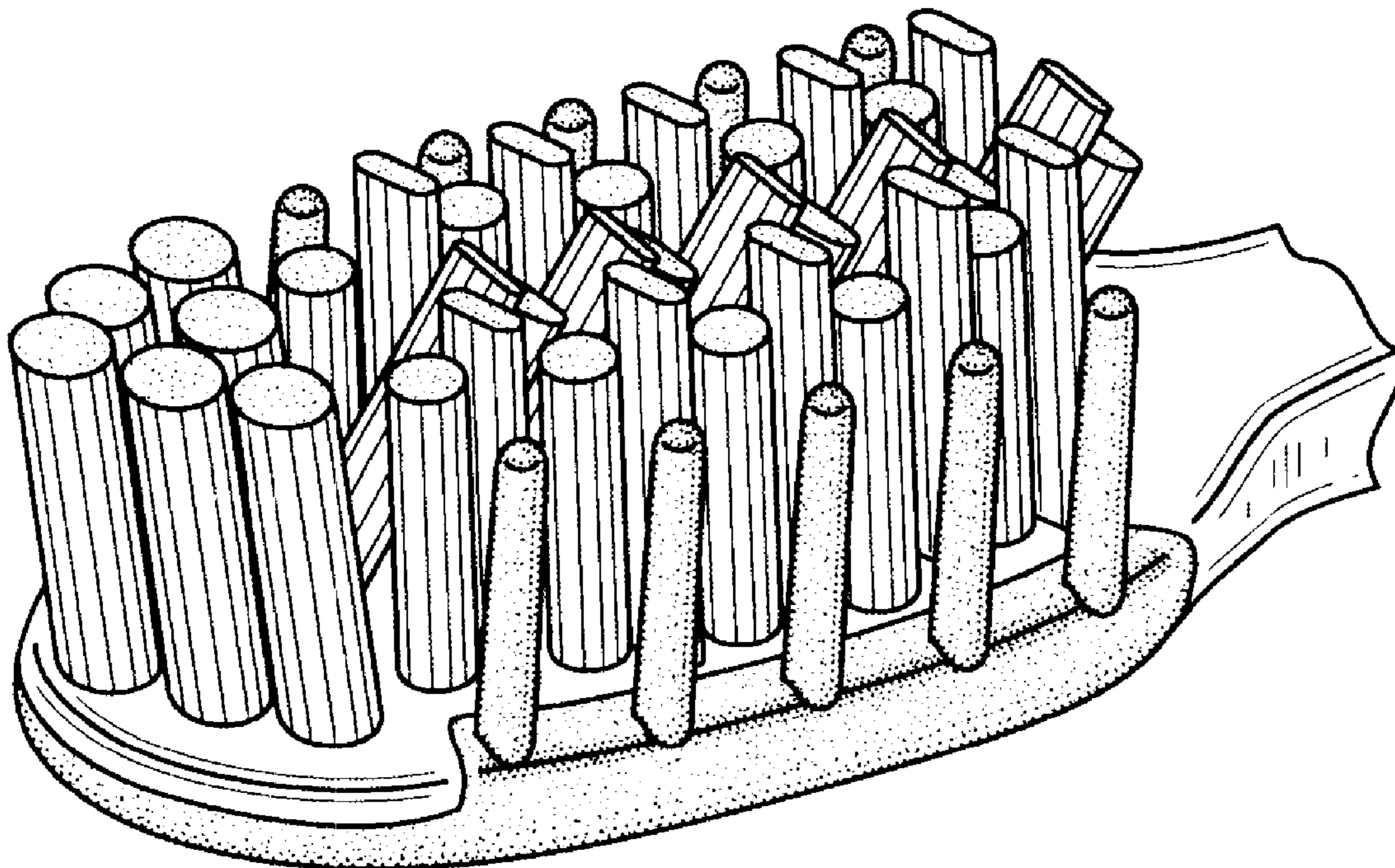


FIG. 1

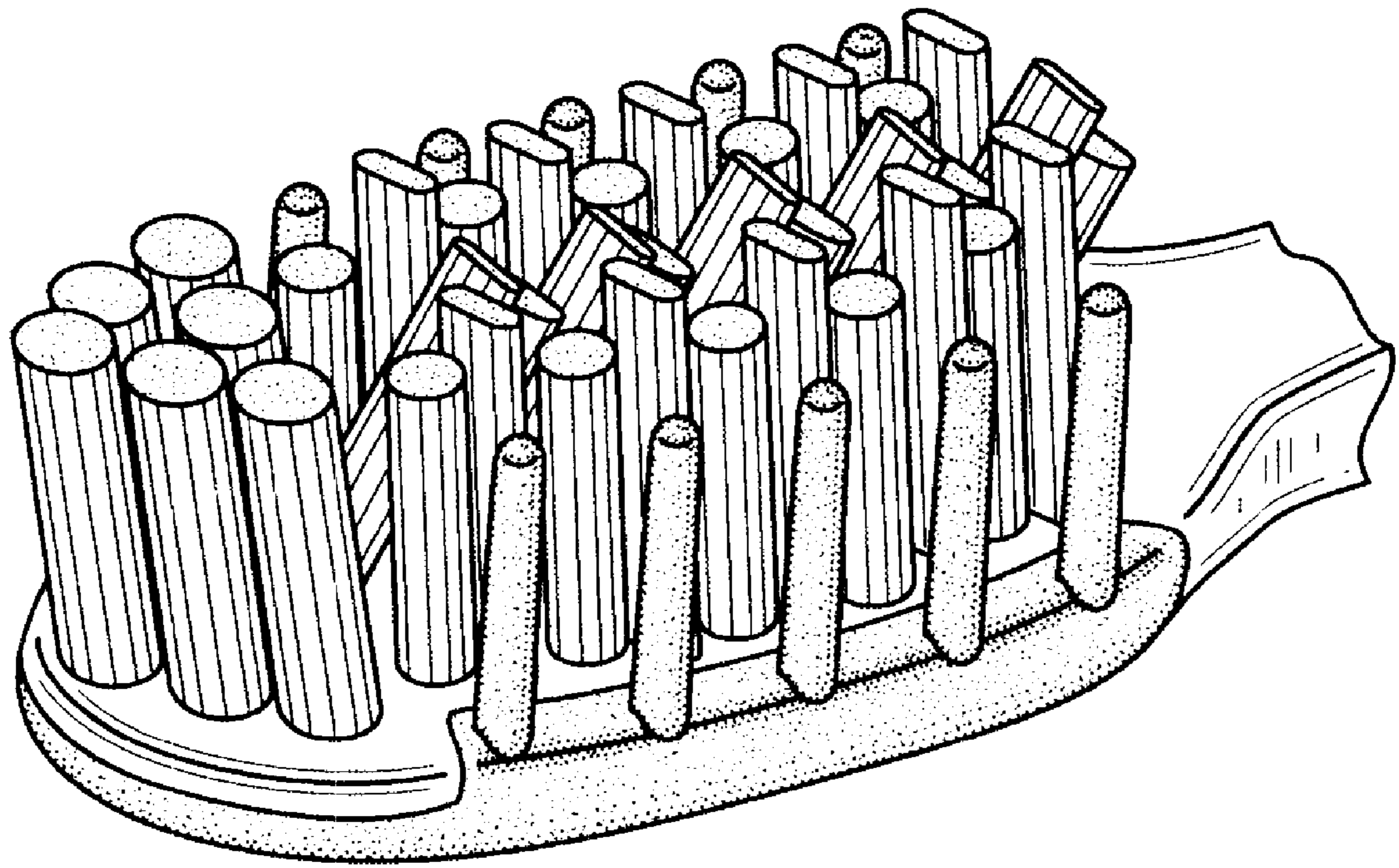


FIG. 2

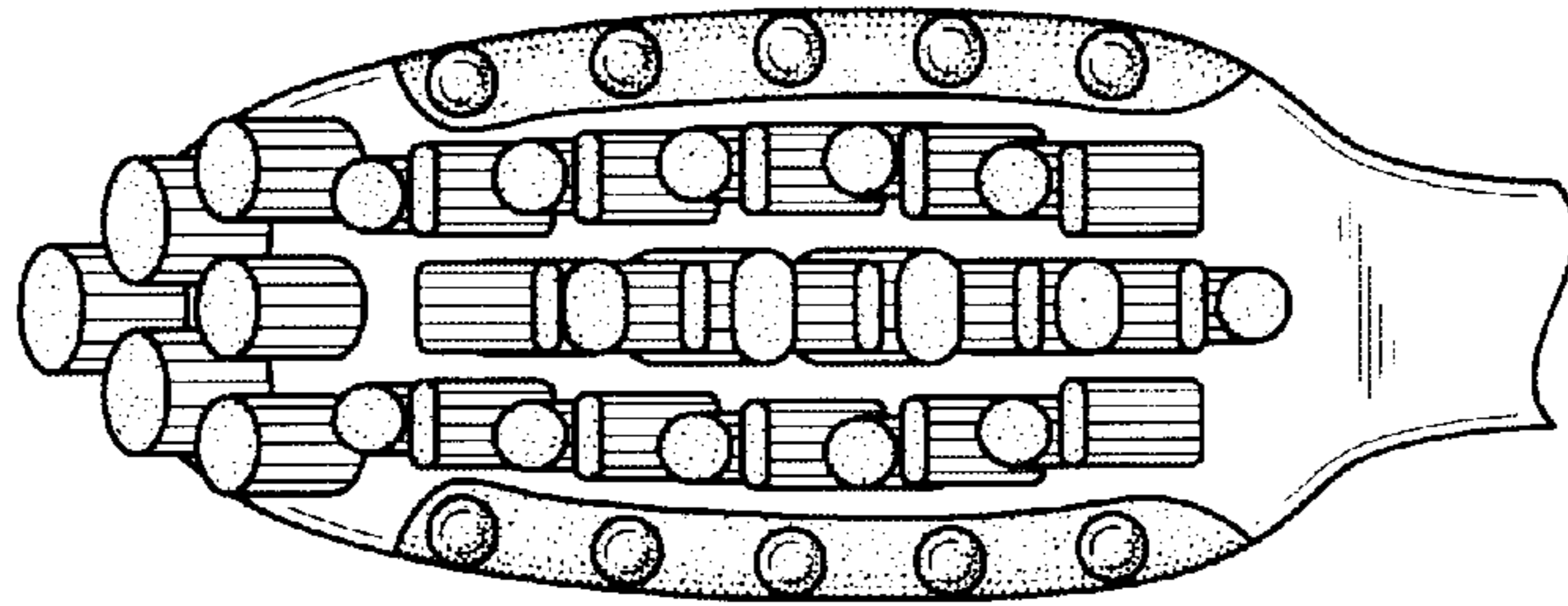


FIG. 3

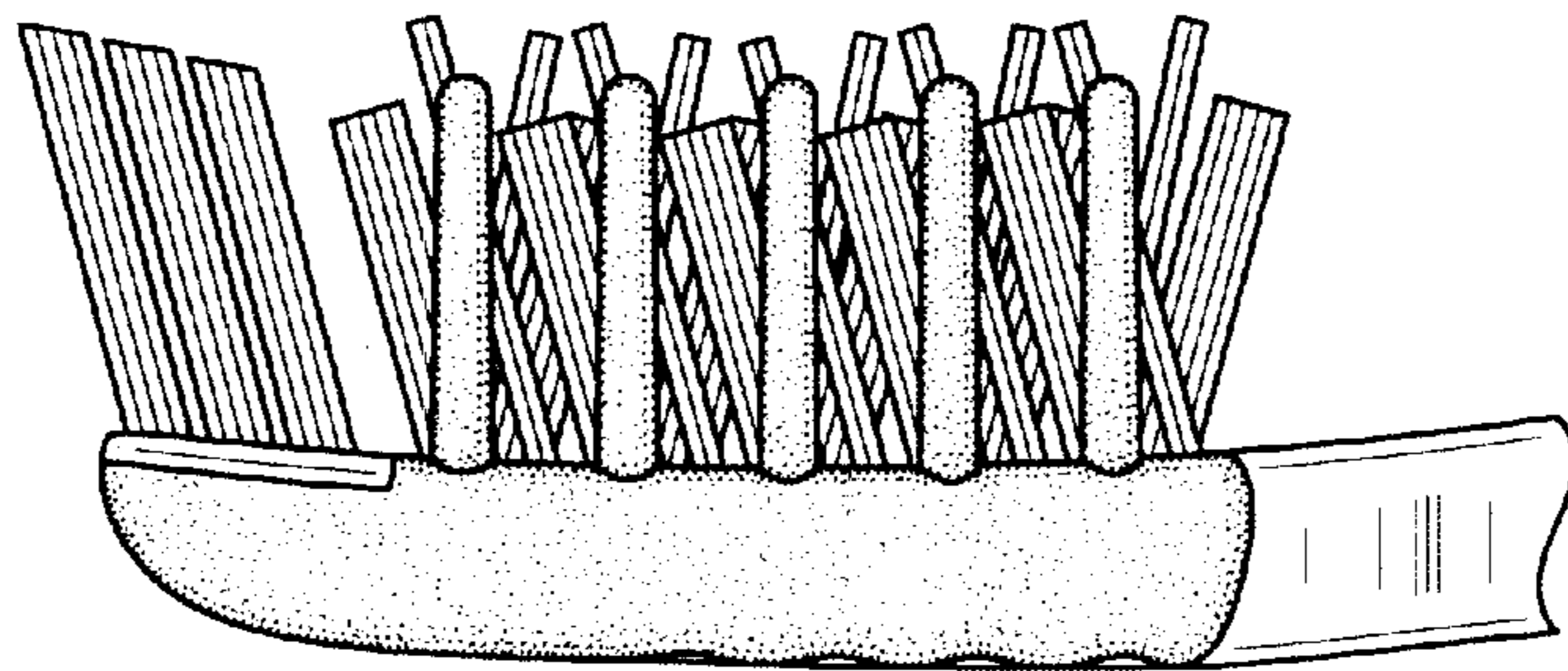


FIG. 4

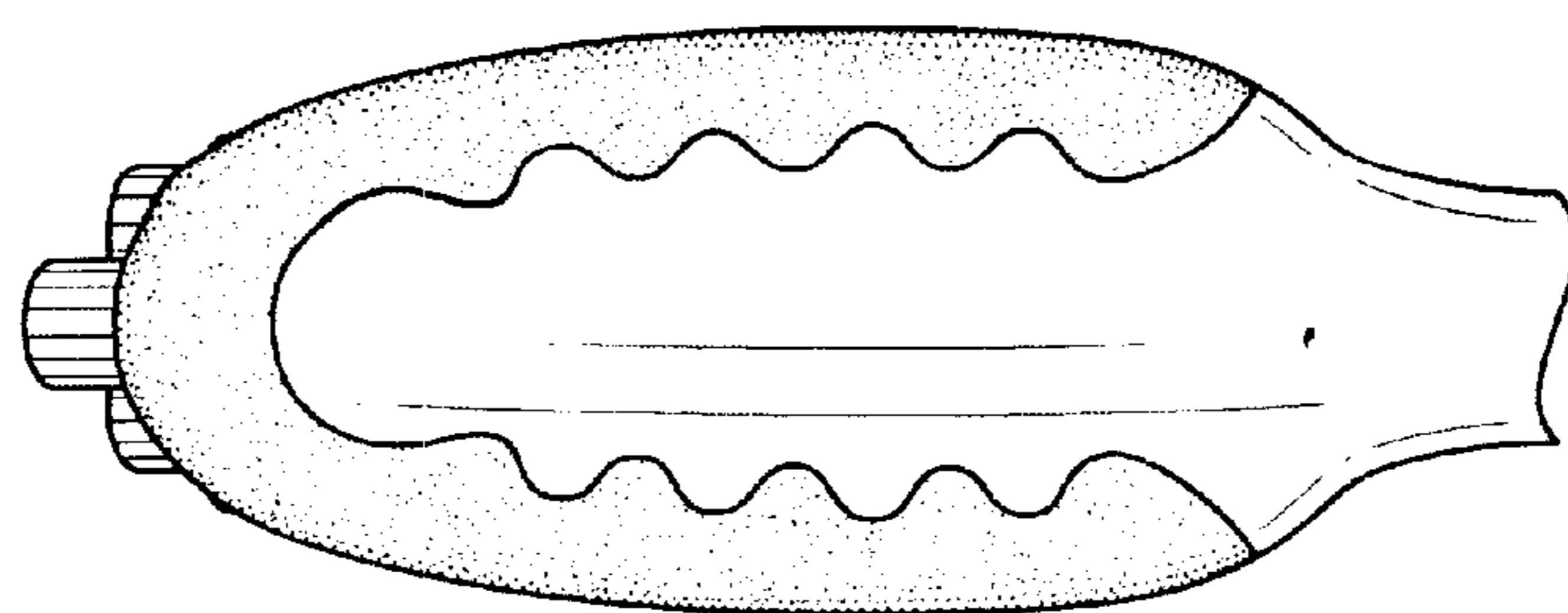


FIG. 5

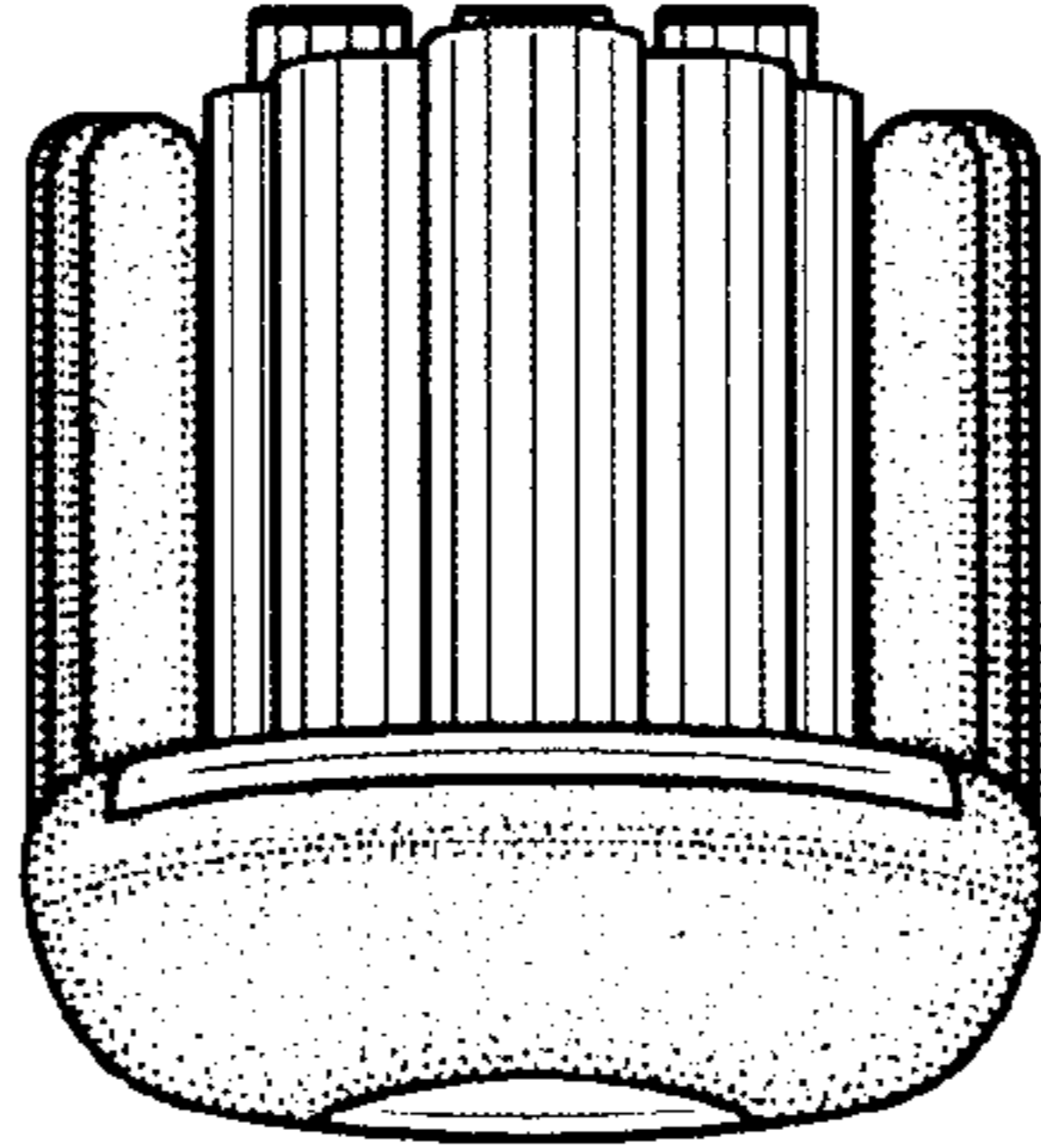


FIG. 6

