



US00D477464S

(12) **United States Design Patent**
Cang

(10) **Patent No.:** **US D477,464 S**

(45) **Date of Patent:** **** Jul. 22, 2003**

(54) **TOOL BOX**

(76) **Inventor:** **Chi-Hsiung Cang**, No. 37, 15th Road,
Tali Industrial Park, Taichung Hsien,
Taiping City (TW)

(**) **Term:** **14 Years**

(21) **Appl. No.:** **29/168,657**

(22) **Filed:** **Oct. 7, 2002**

(51) **LOC (7) Cl.** **03-01**

(52) **U.S. Cl.** **D3/295; D3/294; D3/905**

(58) **Field of Search** **D3/273, 283, 284,**
D3/294, 295, 315, 905; 206/349, 372, 373,
376, 377, 379; D9/418

(56) **References Cited**

U.S. PATENT DOCUMENTS

3,426,890	A	*	2/1969	Bayer	206/379
3,499,525	A	*	3/1970	Kanter	206/379
D242,083	S	*	10/1976	Jean	D3/284
4,344,646	A	*	8/1982	Michel	292/87
D275,833	S	*	10/1984	Malpass	D9/341
D325,127	S	*	4/1992	Diaz	D3/284

D373,901	S	*	9/1996	Bergstedt	D3/294
D374,988	S	*	10/1996	Hillinger	D3/294
5,676,254	A	*	10/1997	Cheng et al.	206/751

* cited by examiner

Primary Examiner—Philip S. Hyder

(74) *Attorney, Agent, or Firm*—Charles E. Baxley

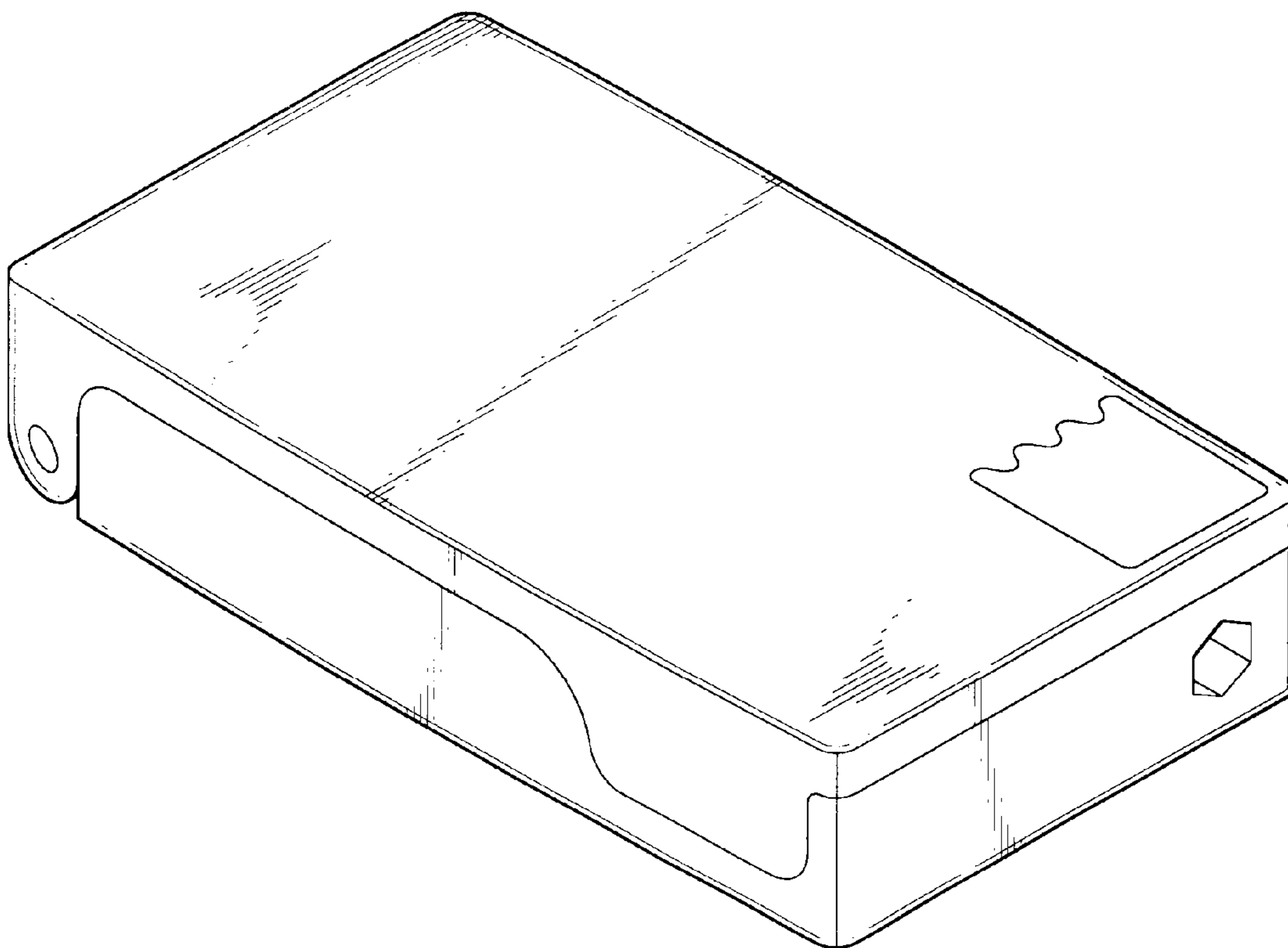
(57) **CLAIM**

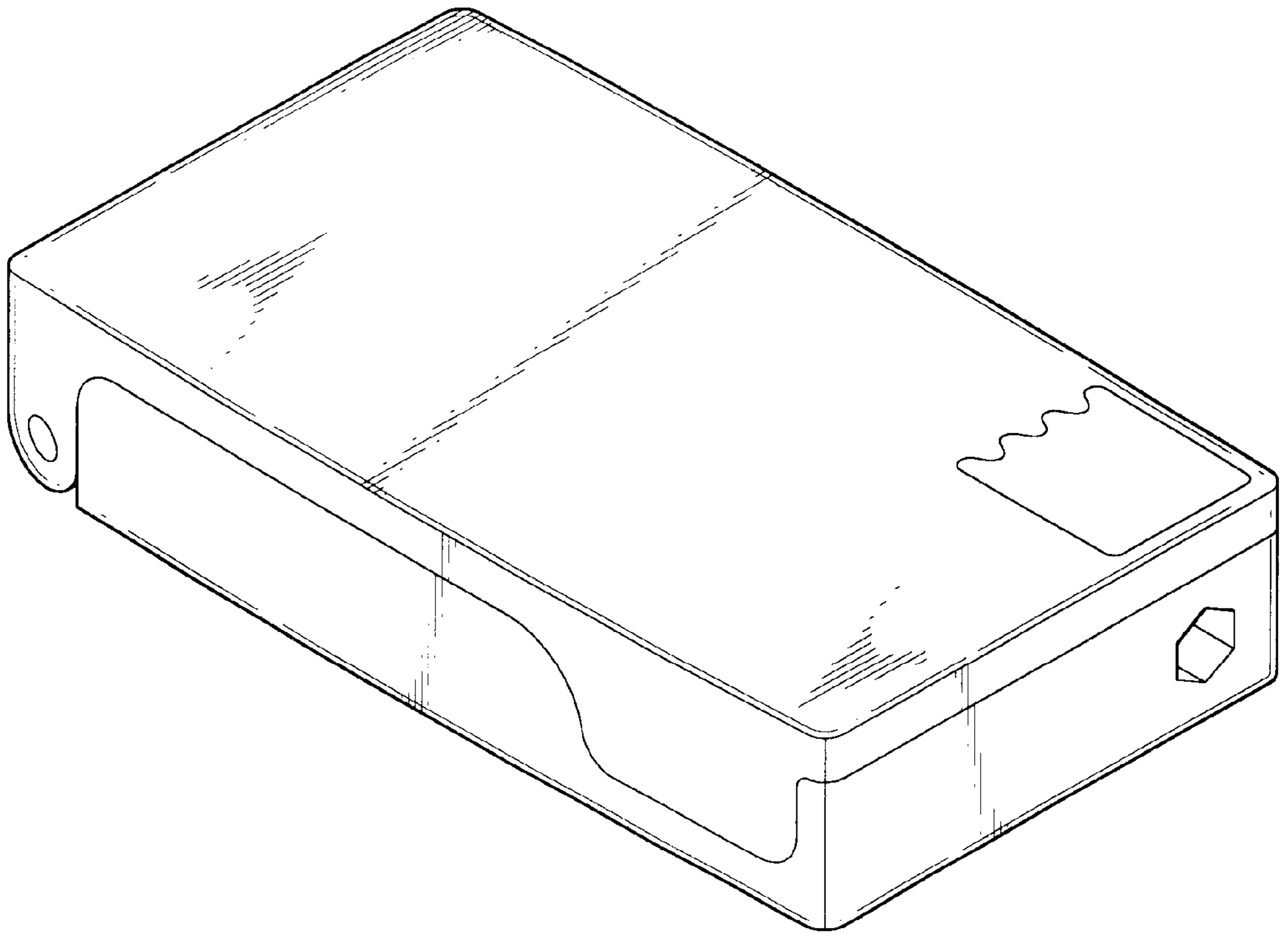
The ornamental design for a tool box, as shown and described.

DESCRIPTION

FIG. 1 is a perspective view of a tool box showing my new design;
 FIG. 2 is a front elevational view thereof;
 FIG. 3 is a rear elevational view thereof,
 FIG. 4 is a left side elevational view thereof,
 FIG. 5 is a right side elevational view thereof,
 FIG. 6 is a top plan view thereof; and
 FIG. 7 is a bottom plan view to that shown; and,
 FIG. 8 is a perspective view of showing the open condition of the claimed design.

1 Claim, 6 Drawing Sheets





F I G. 1

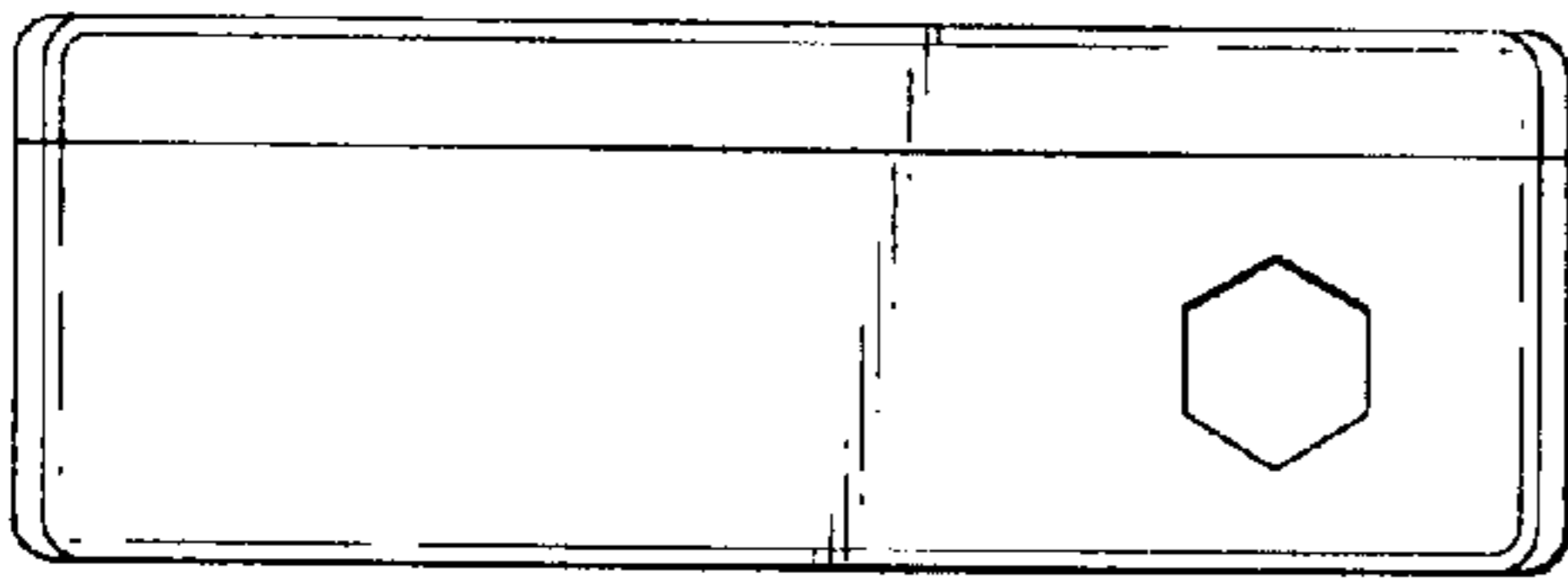


FIG. 2

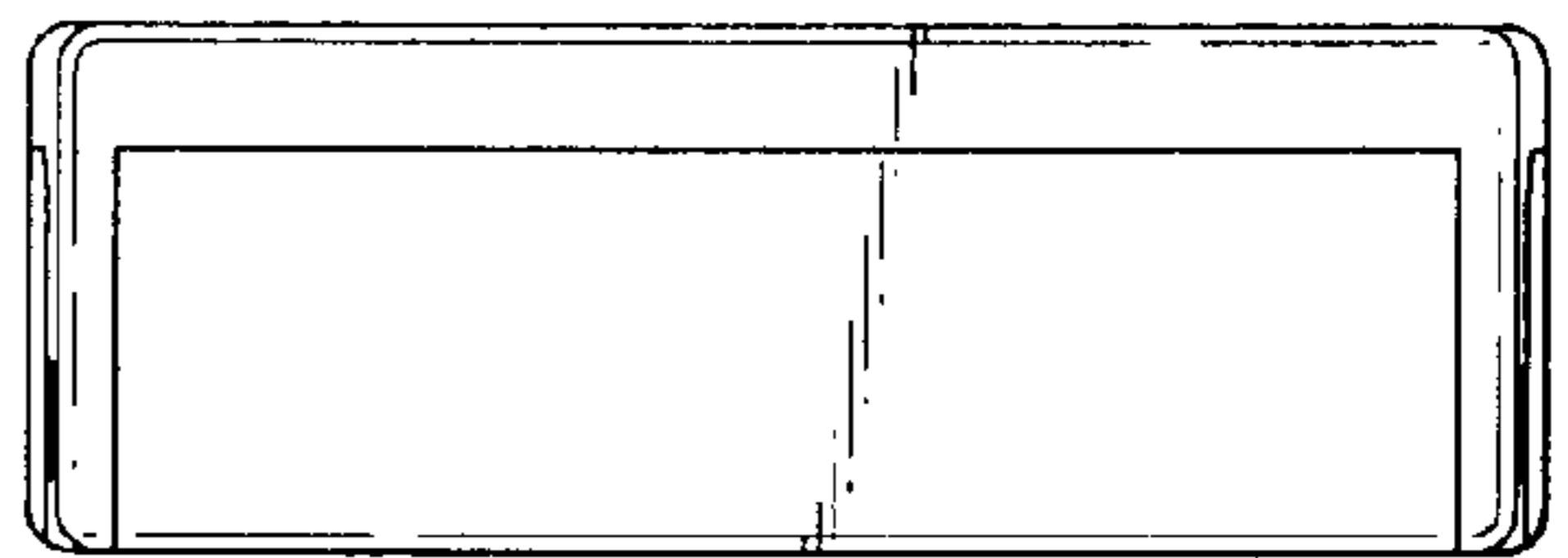


FIG. 3

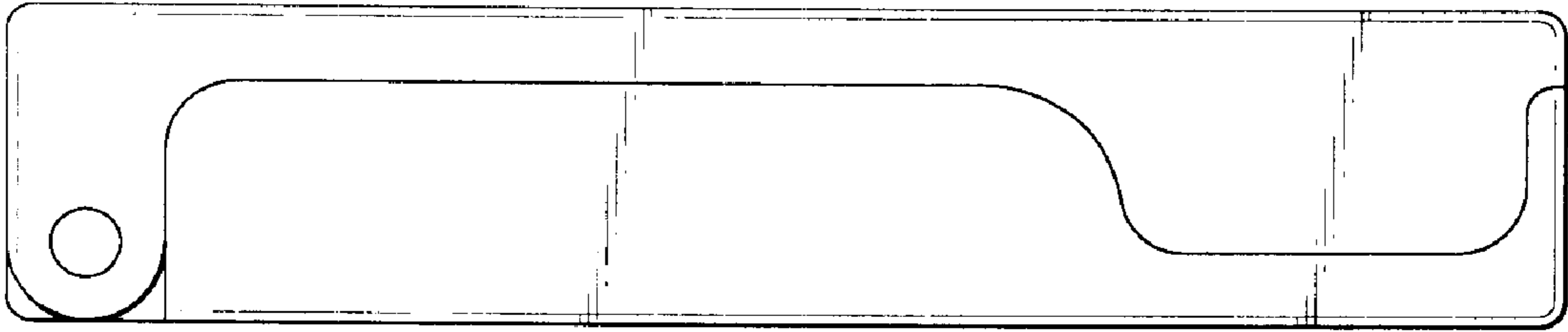


FIG. 4

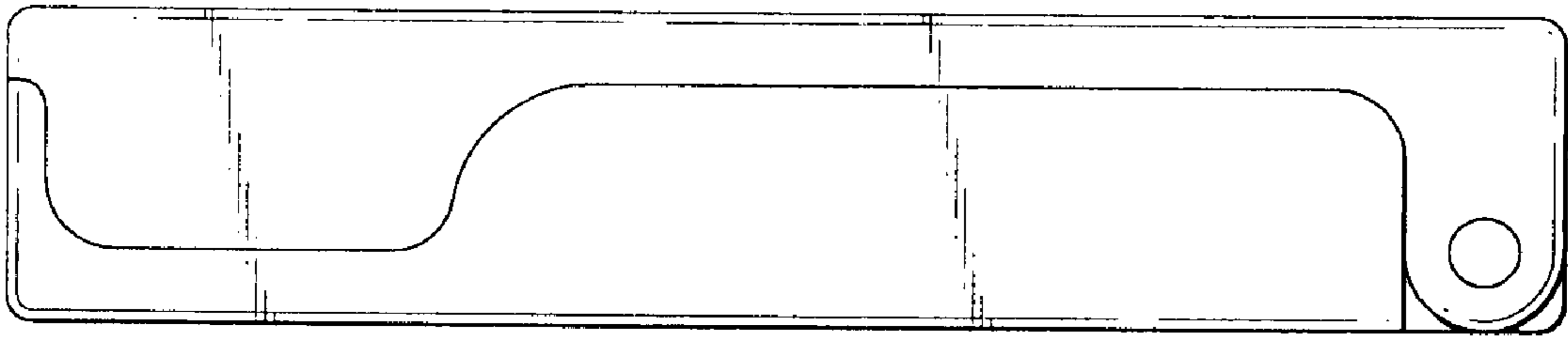


FIG. 5

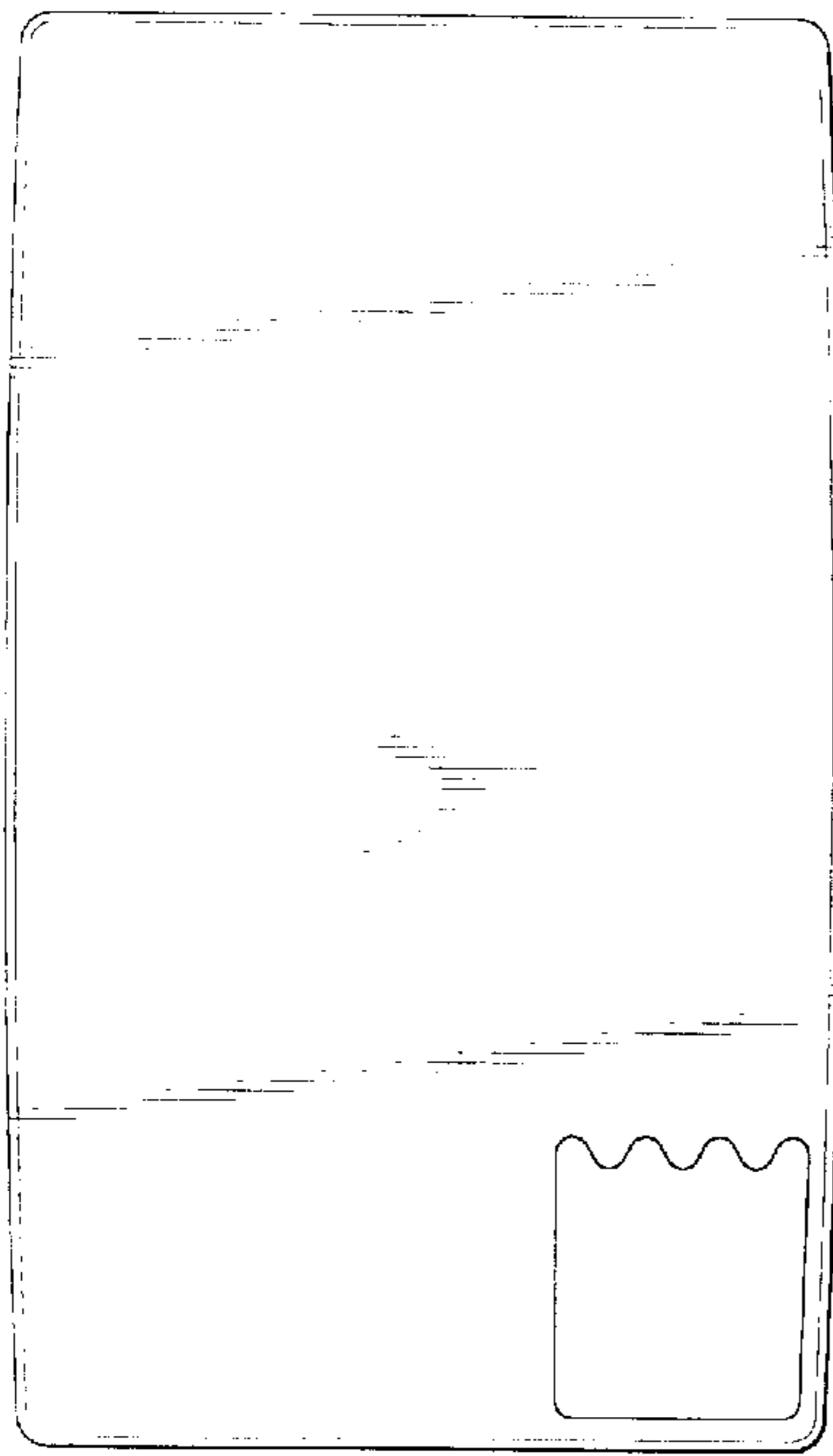


FIG. 6

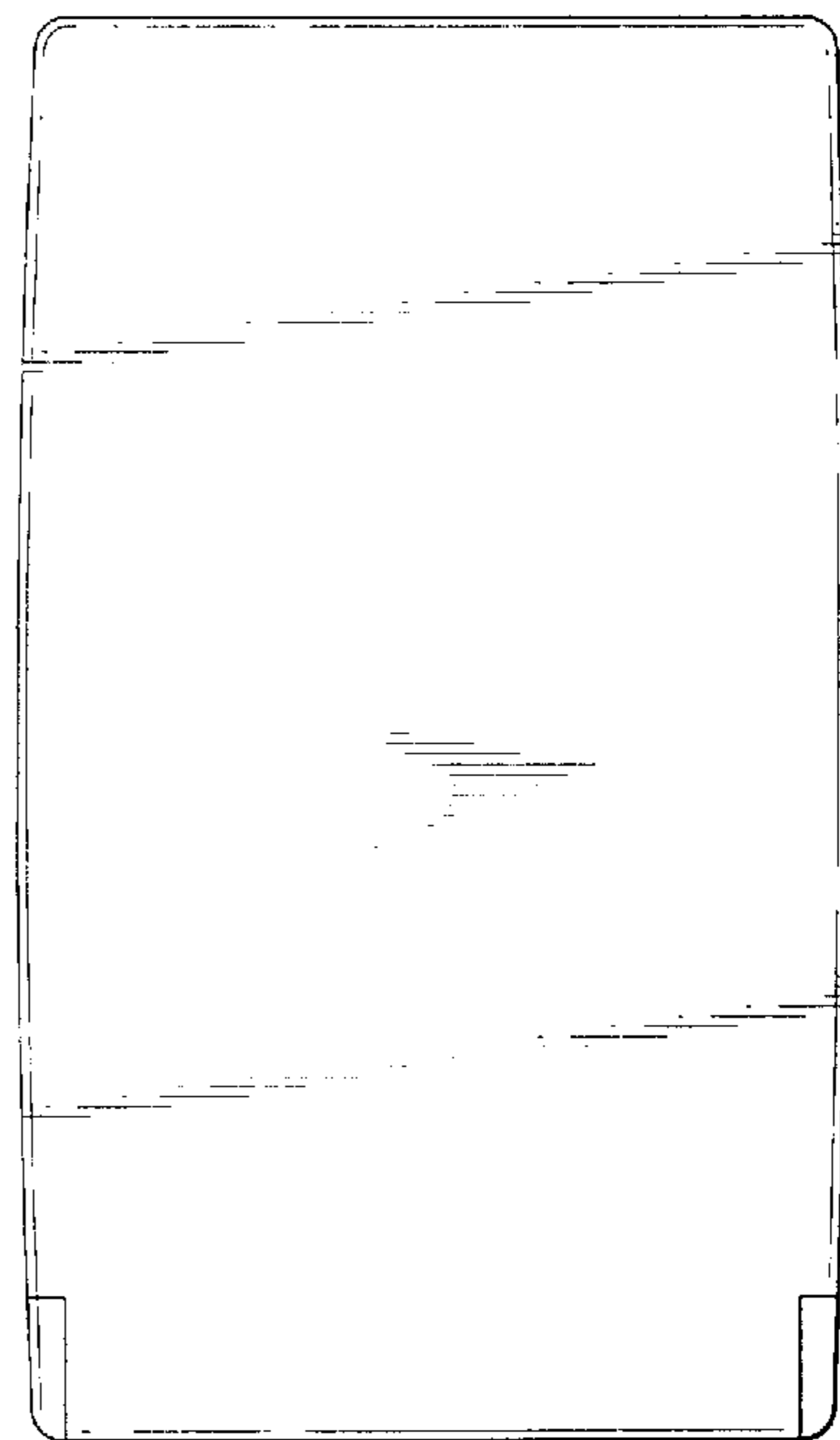
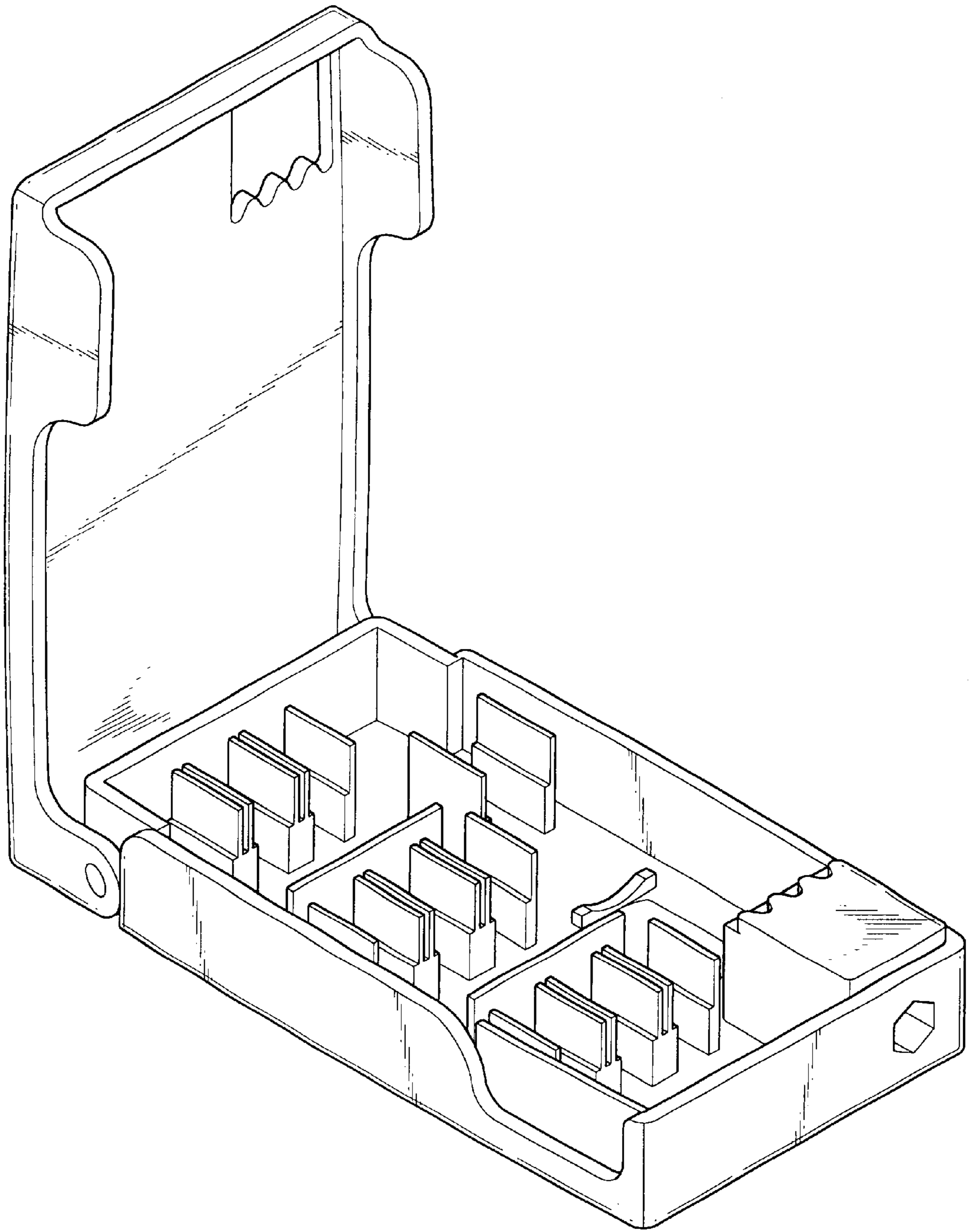


FIG. 7



F I G. 8