



US00D477463S

(12) **United States Design Patent**
Leen

(10) **Patent No.:** **US D477,463 S**

(45) **Date of Patent:** **** Jul. 22, 2003**

(54) **LAMP STORAGE BOX**

(76) Inventor: **Monte A. Leen**, 1804 W. Lake
Sammamish Pkwy. NE., Bellevue, WA
(US) 98008

(**) Term: **14 Years**

(21) Appl. No.: **29/163,028**

(22) Filed: **Jun. 26, 2002**

(51) **LOC (7) Cl.** **03-01**

(52) **U.S. Cl.** **D3/294**

(58) **Field of Search** D3/294, 295, 273,
D3/272; D9/420, 424, 426; D6/553, 513,
554; 206/566, 351, 314

(56) **References Cited**

U.S. PATENT DOCUMENTS

D21,762 S * 8/1892 Estes D3/294
D232,873 S * 9/1974 Lecube D3/294 X
D365,208 S * 12/1995 Laib D3/294

* cited by examiner

Primary Examiner—Catherine R. Oliver

(74) *Attorney, Agent, or Firm*—Dean A. Craine

(57) **CLAIM**

The ornamental design for a lamp storage box, as shown and described.

DESCRIPTION

FIG. 1 is a perspective view of a lamp storage box in a closed position showing my new design.

FIG. 2 is a front elevational view of the lamp storage box in a closed position.

FIG. 14 is a right side elevational view of the lamp storage box in an open position.

FIG. 4 is a top plan view of the lamp storage box in a closed position.

FIG. 5 is a bottom plan view of the lamp storage box in a closed position.

FIG. 6 is a left side elevational view of the lamp storage box in a closed position.

FIG. 7 is a right side elevational view of the lamp storage box in a closed position.

FIG. 8 is a perspective view of the lamp storage box in an open position.

FIG. 9 is a front elevational view of the lamp storage box in an open position.

FIG. 10 is a rear elevational view of the lamp storage box in an open position.

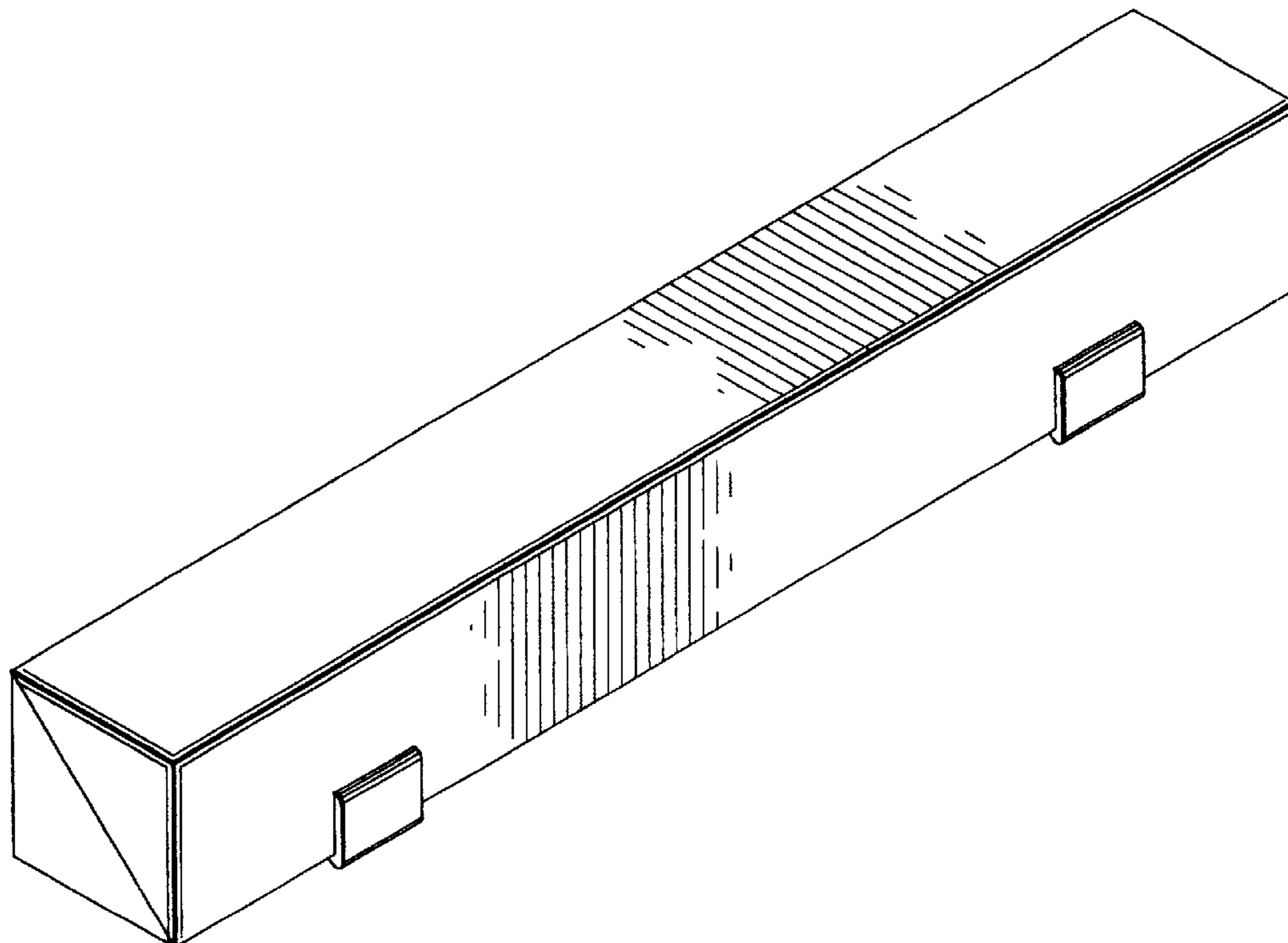
FIG. 11 is a top perspective view of the lamp storage box in an open position.

FIG. 12 is a bottom perspective view of the lamp storage box in an open position; and,

FIG. 13 is a bottom perspective view of the lamp storage box in an open position.

FIG. 14 is a right side elevational view of the lamp storage box in an open position.

1 Claim, 4 Drawing Sheets



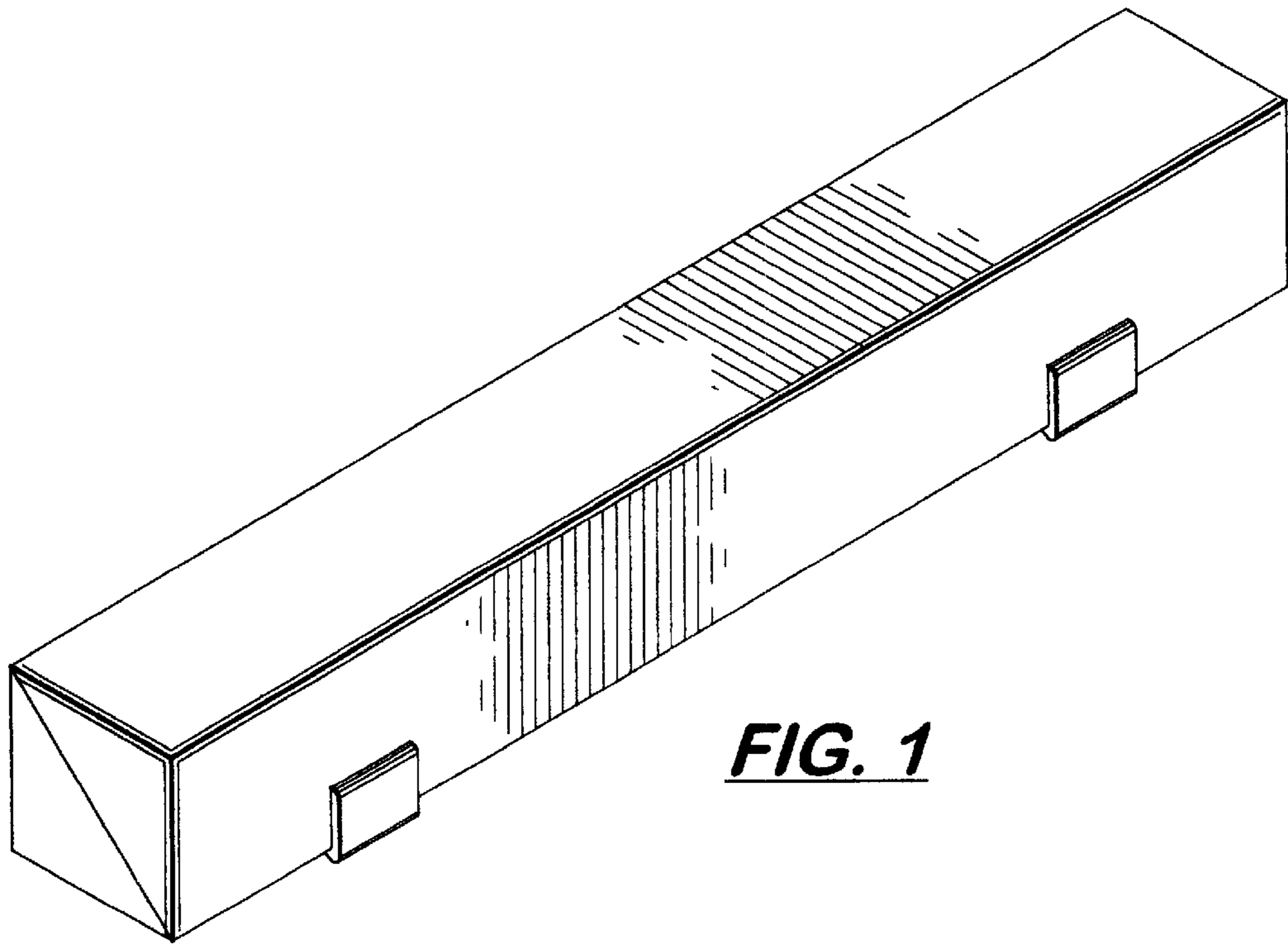


FIG. 1

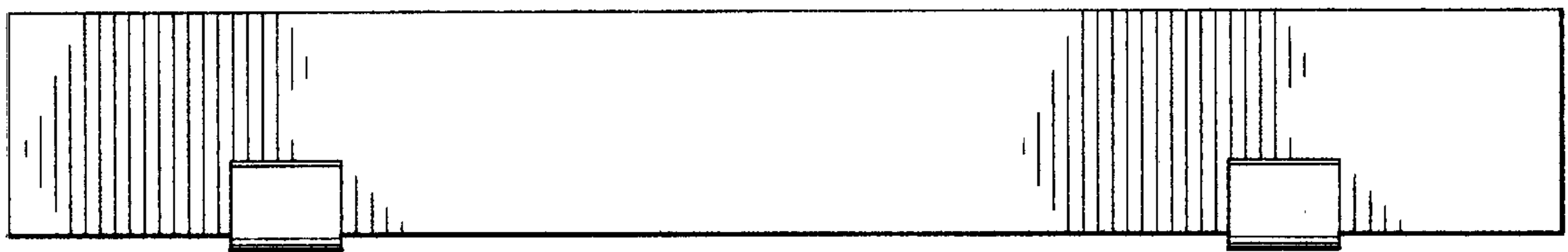


FIG. 2

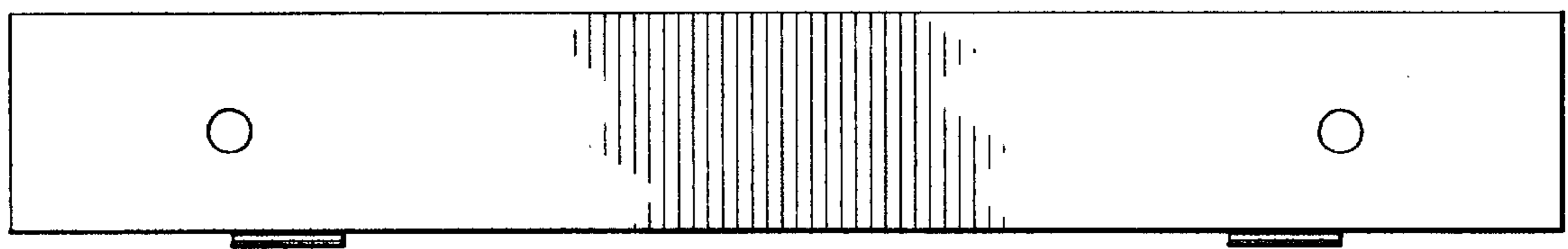


FIG. 3

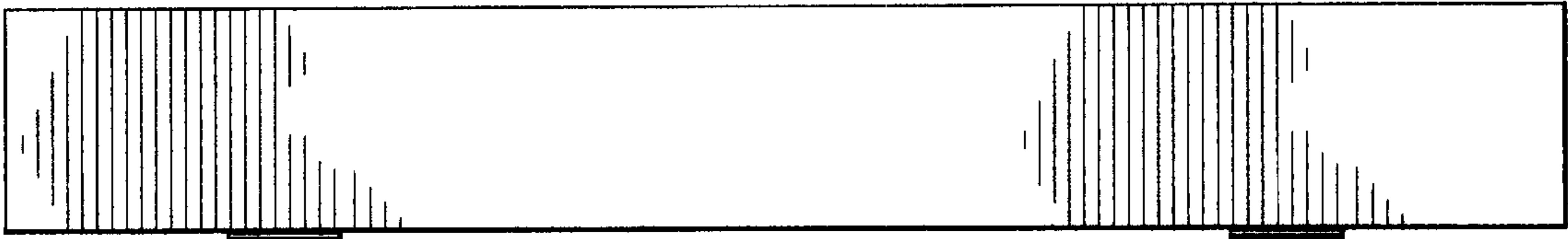


FIG. 4

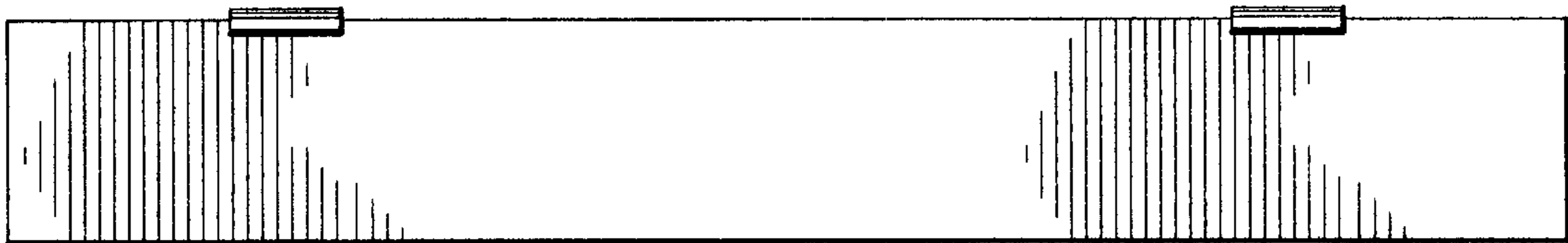


FIG. 5

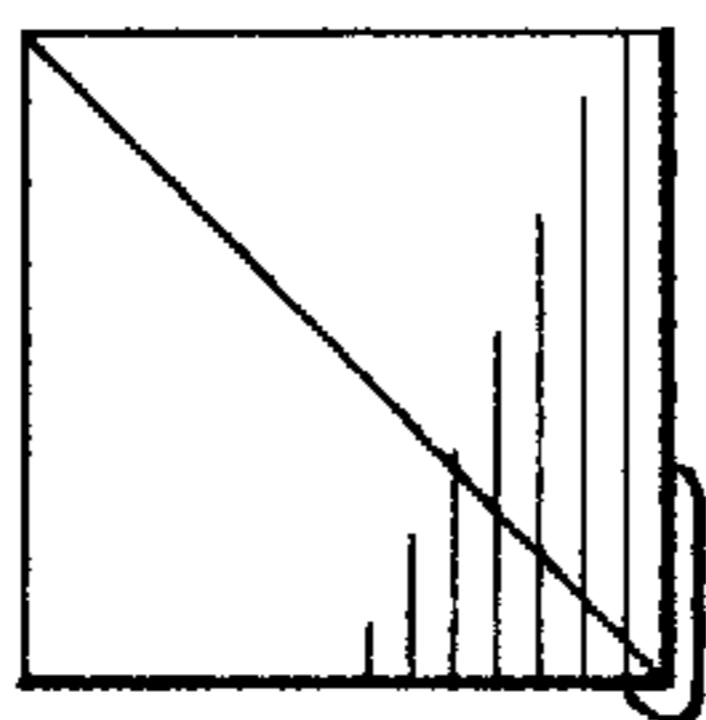


FIG. 6

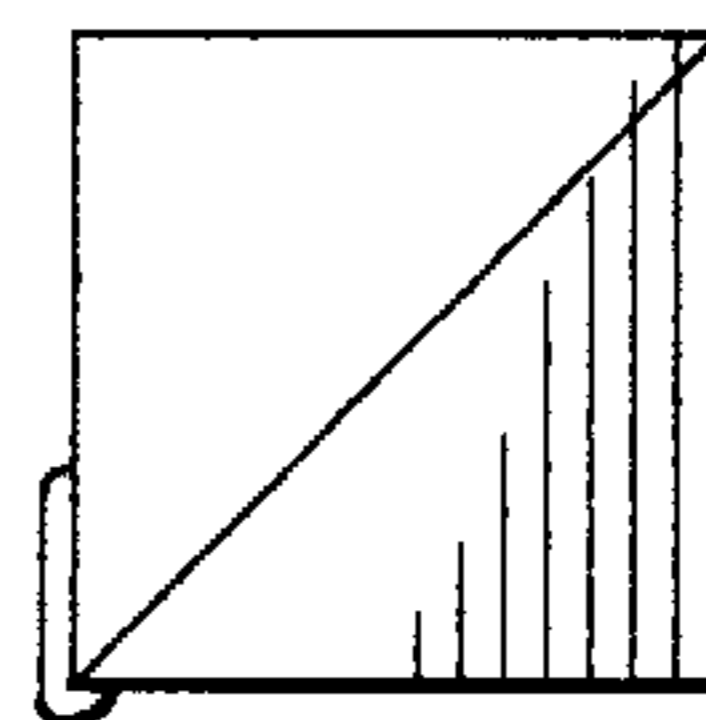


FIG. 7

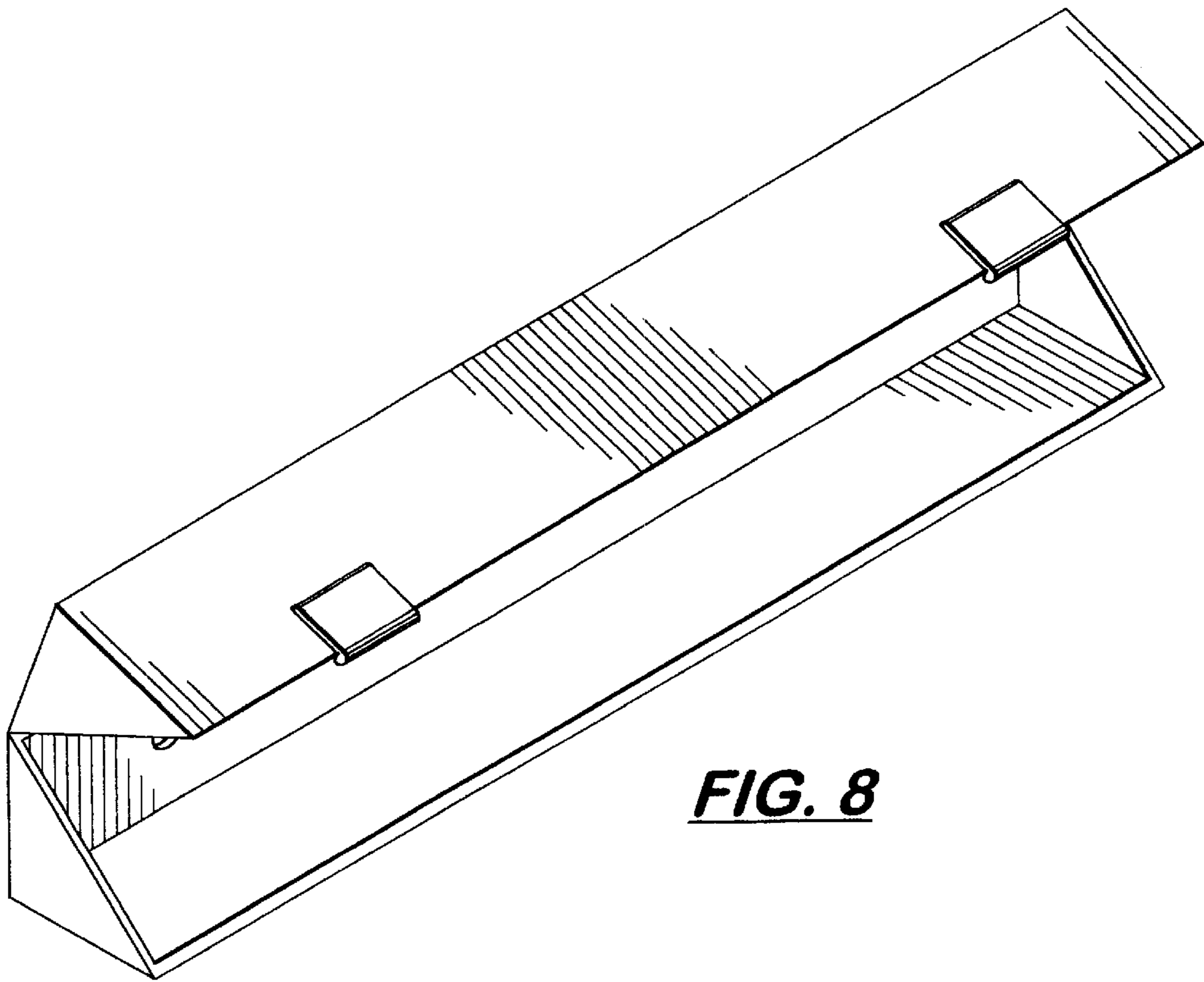


FIG. 8

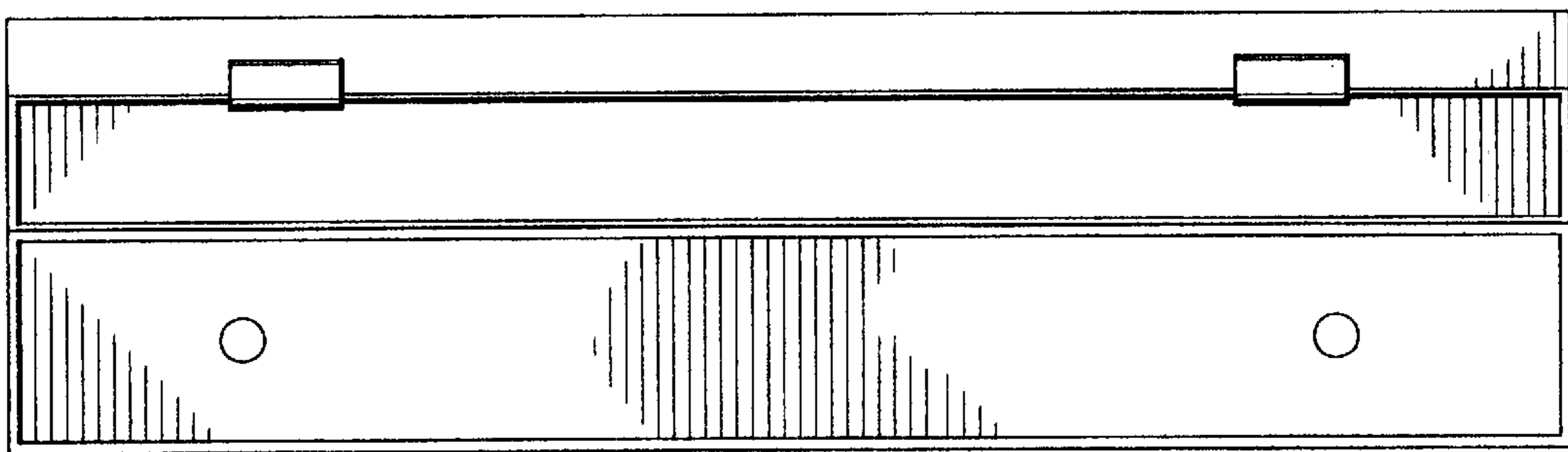


FIG. 9

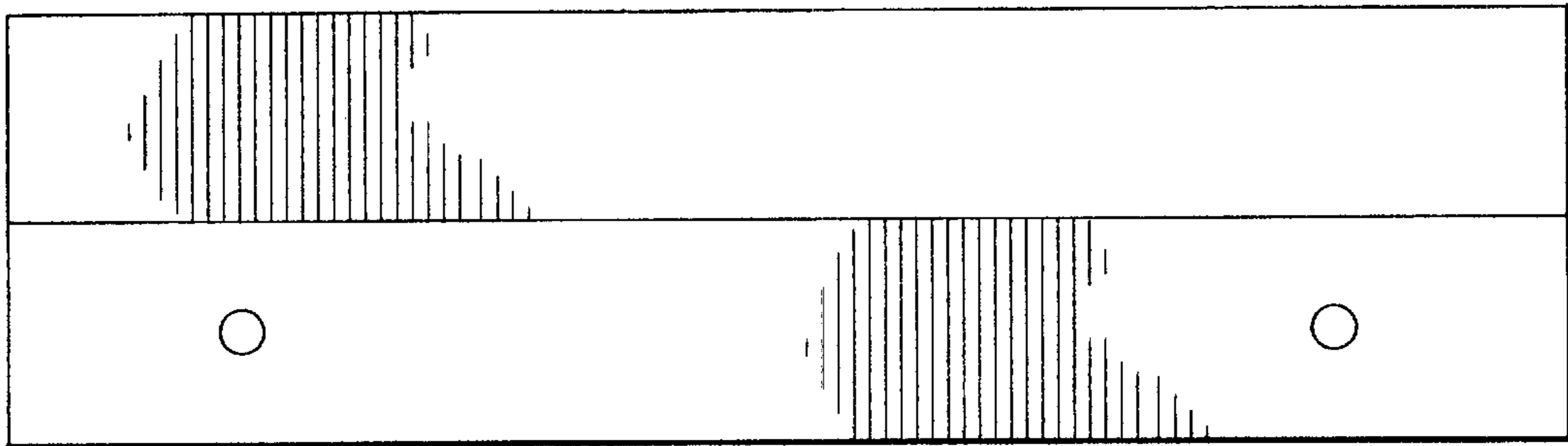


FIG. 10

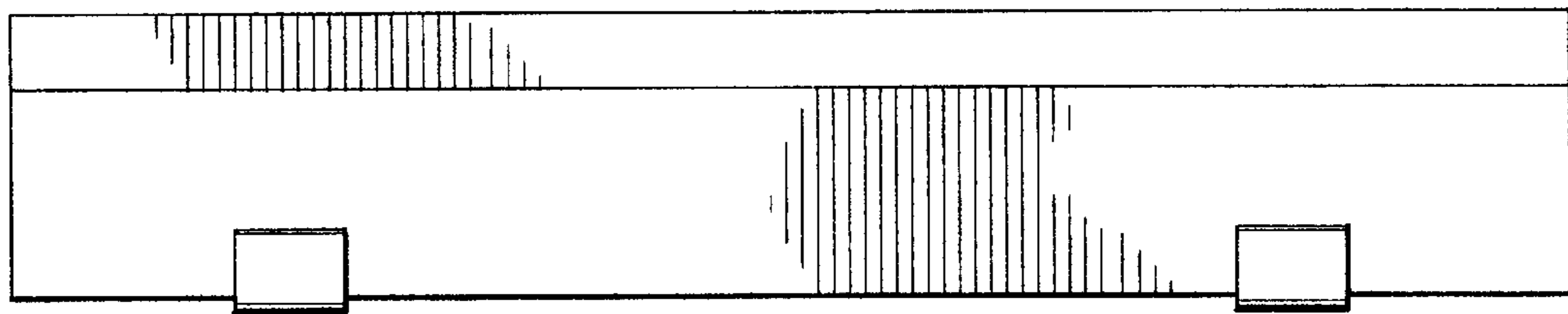


FIG. 11

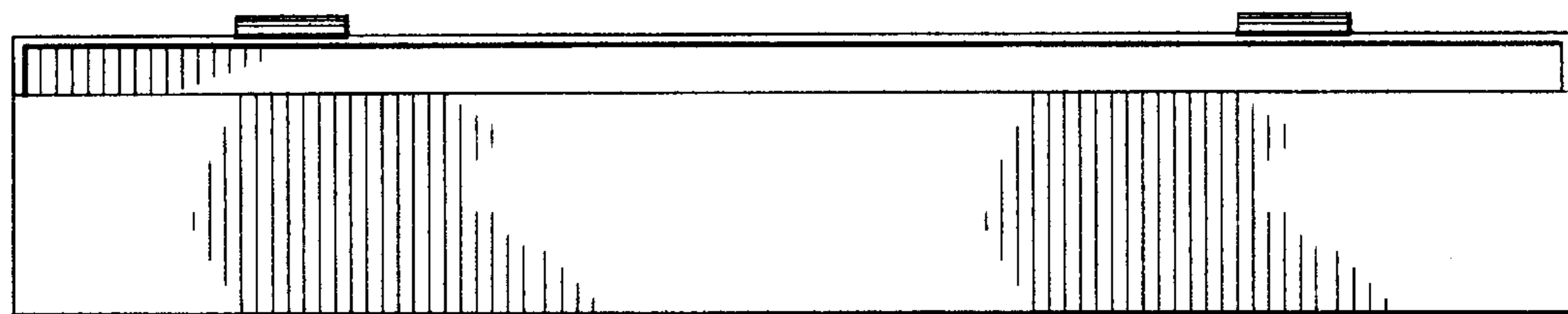


FIG. 12

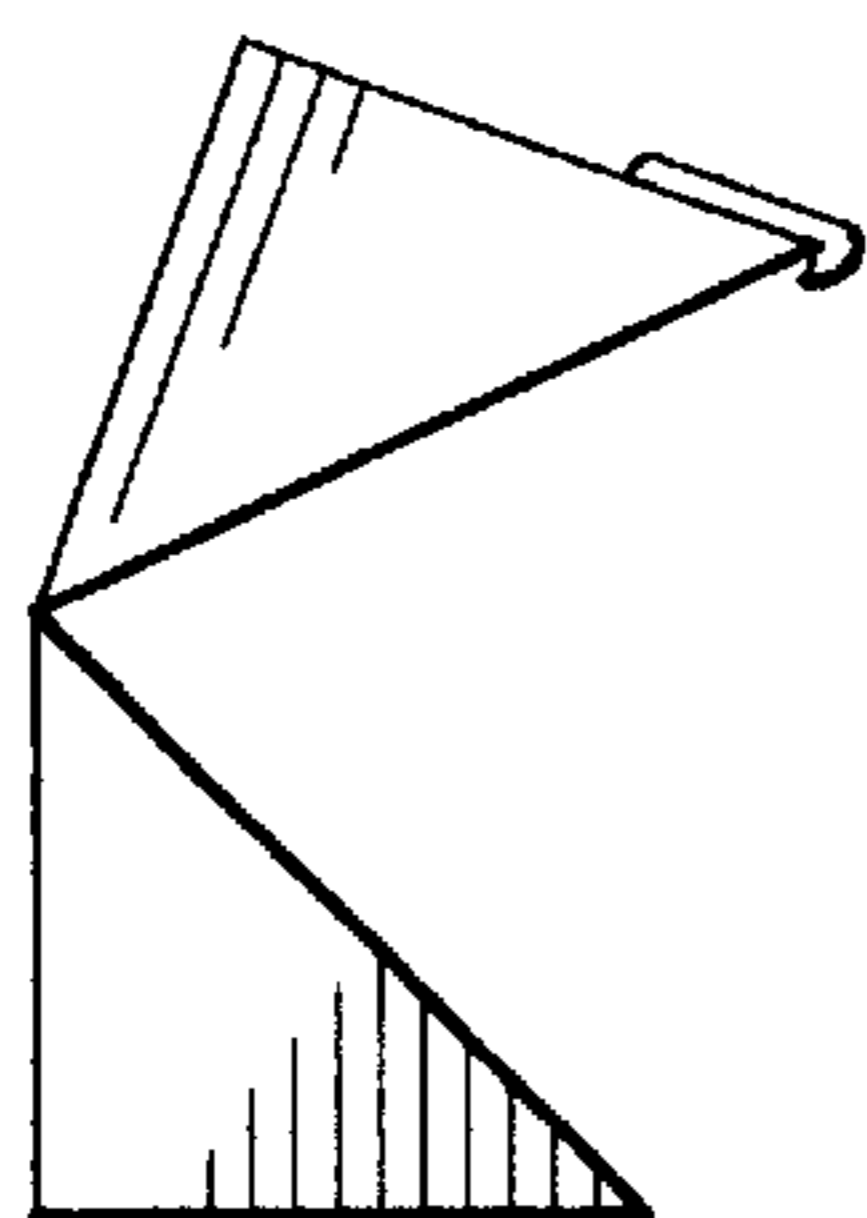


FIG. 13

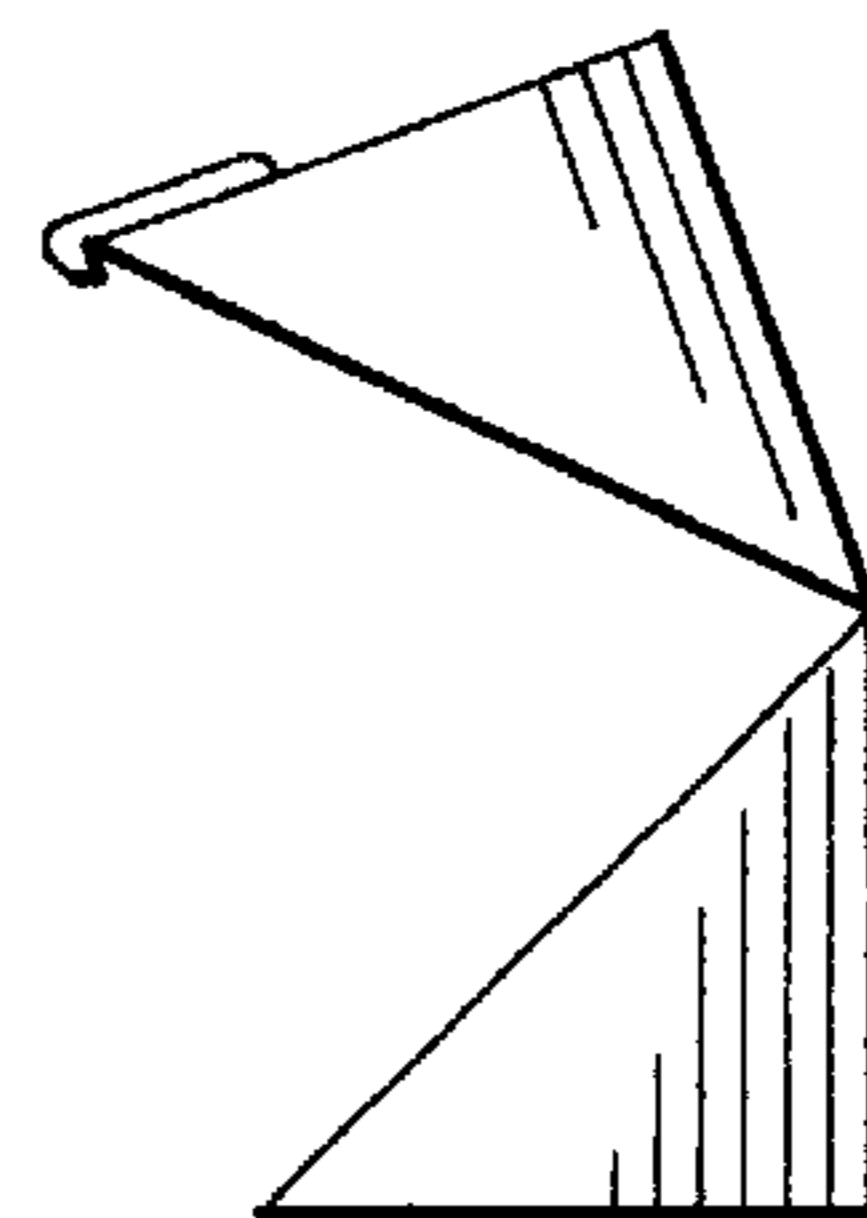


FIG. 14