



US00D477462S

(12) **United States Design Patent**  
**Dancyger**

(10) **Patent No.:** **US D477,462 S**

(45) **Date of Patent:** **\*\* Jul. 22, 2003**

(54) **TOOL BAG**

Esq.; Sheppard, Mullin, Richter & Hampton LLP

(76) **Inventor:** **Michael Dancyger**, 811 W. 58th St.,  
Los Angeles, CA (US) 90037-3631

(57) **CLAIM**

The ornamental design for a tool bag, as shown and described.

(\*\*) **Term:** **14 Years**

**DESCRIPTION**

(21) **Appl. No.:** **29/169,269**

FIG. 1 is a left front perspective view of a tool bag embodying my new design, the tool bag being shown with the front detachable portion attached to the tool bag. The broken lines in this view, as well as all of the additional views, represent stitching.

(22) **Filed:** **Oct. 15, 2002**

(51) **LOC (7) Cl.** ..... **03-01**

(52) **U.S. Cl.** ..... **D3/283; D3/289; D3/274**

(58) **Field of Search** ..... **D3/273, 276, 283, D3/285, 287, 289, 905; 206/349, 372, 373; 190/100, 110, 109, 112, 111, 113**

FIG. 2 is a rear elevational view of the tool bag of FIG. 1. FIG. 3 is a front elevational view of the tool bag of FIG. 1. FIG. 4 is a right side elevational view of the tool bag of FIG. 1.

(56) **References Cited**

**U.S. PATENT DOCUMENTS**

4,561,525	A	*	12/1985	Shidner	.....	190/106
D348,778	S	*	7/1994	Dancyger	.....	D3/228
5,423,404	A	*	6/1995	Shaw	.....	190/102
D361,662	S	*	8/1995	King et al.	.....	D3/276
5,653,337	A	*	8/1997	Cirigliano	.....	206/373
D426,384	S	*	6/2000	Brouard	.....	D3/276
6,126,003	A	*	10/2000	Brouard	.....	206/372
6,179,185	B1	*	1/2001	Dancyger	.....	224/576
D447,340	S	*	9/2001	Snider	.....	D3/276
D447,632	S	*	9/2001	Gisser	.....	D3/289
D465,923	S	*	11/2002	Pangerc et al.	.....	D3/289

FIG. 5 is a left side elevational view of the tool bag of FIG. 1.

FIG. 6 is a top plan view of the tool bag of FIG. 1.

FIG. 7 is a bottom plan view of the tool bag of FIG. 1.

FIG. 8 is a left front perspective view of the tool bag embodying my new design, the tool bag being shown without the front detachable portion.

FIG. 9 is a rear elevational view of the tool bag of FIG. 8.

FIG. 10 is a front elevational view of the tool bag of FIG. 8.

FIG. 11 is a right side elevational view of the tool bag of FIG. 8.

FIG. 12 is a left side elevational view of the tool bag of FIG. 8.

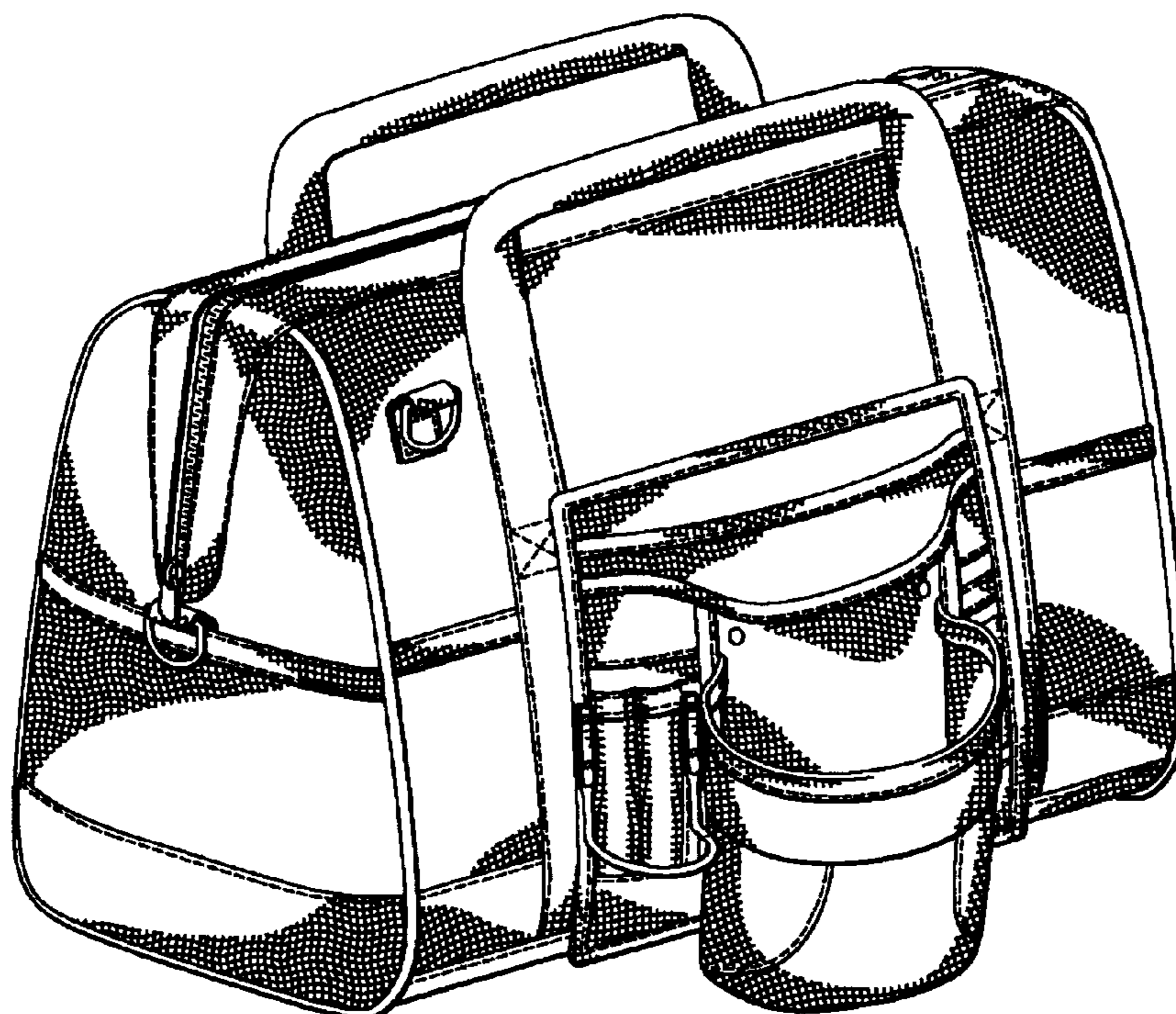
FIG. 13 is a top plan view of the tool bag of FIG. 8; and, FIG. 14 is a bottom plan view of the tool bag of FIG. 8.

\* cited by examiner

*Primary Examiner*—Philip S. Hyder

(74) *Attorney, Agent, or Firm*—James R. Brueggemann,

**1 Claim, 8 Drawing Sheets**



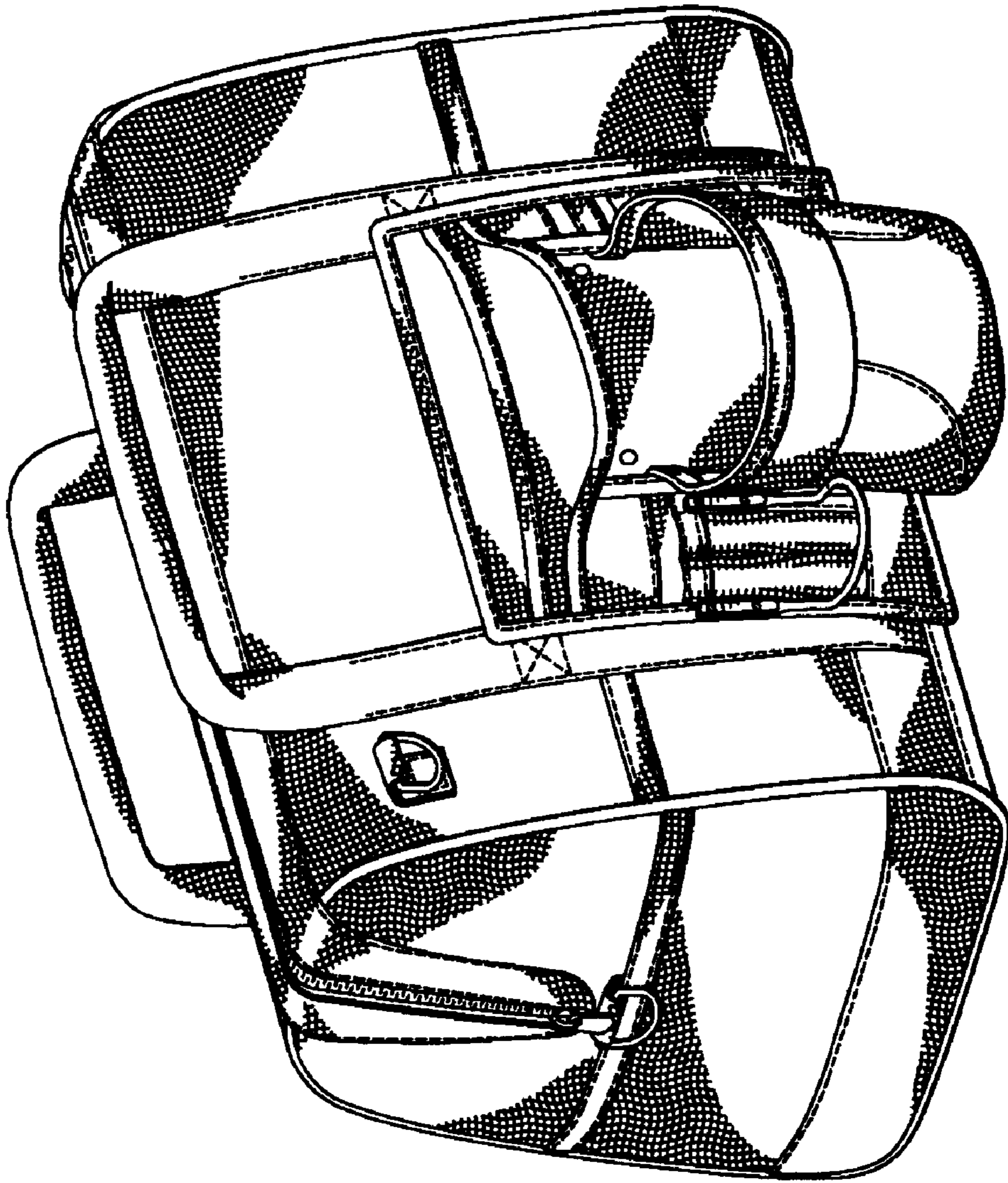


FIG. 1



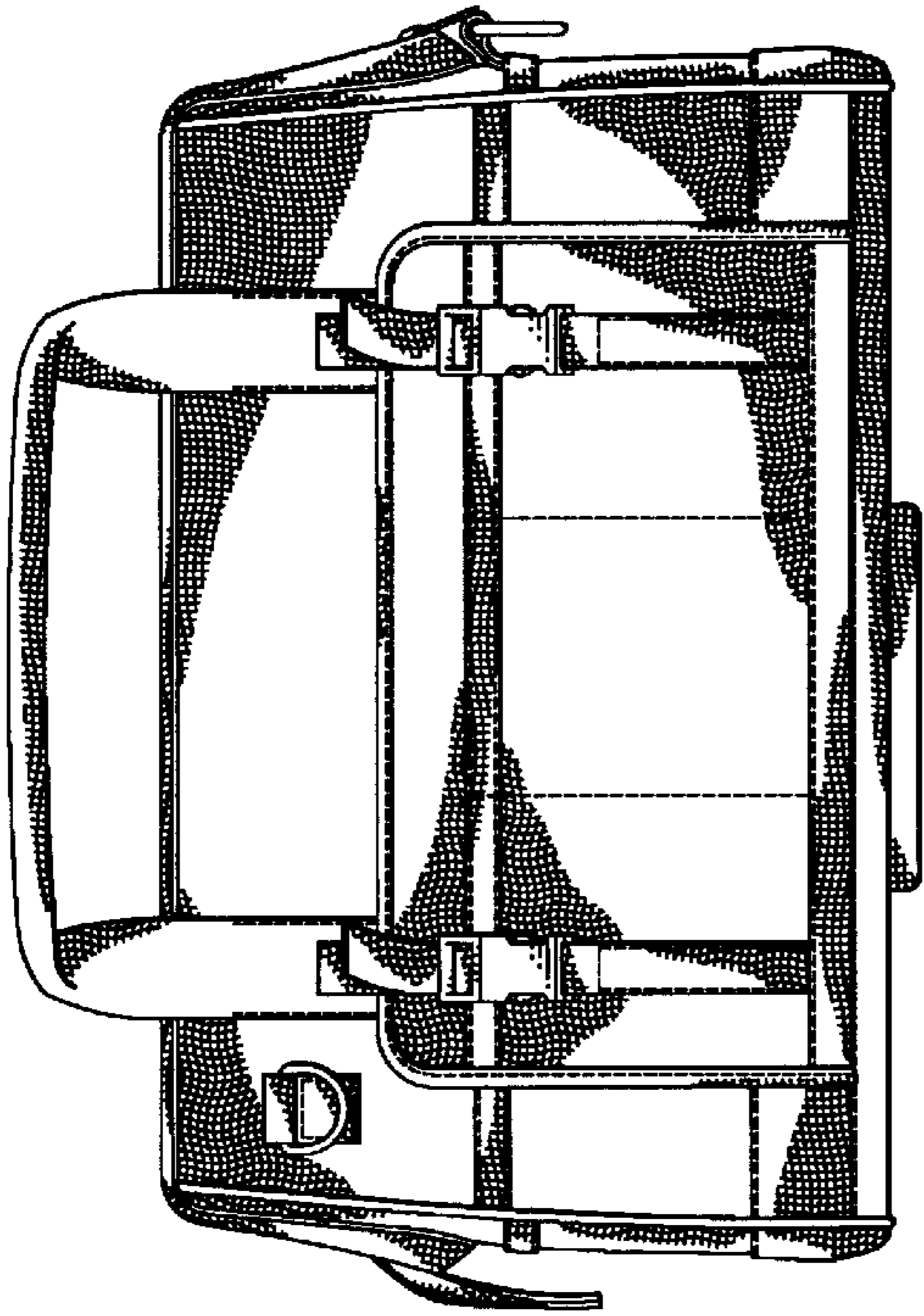


FIG. 2

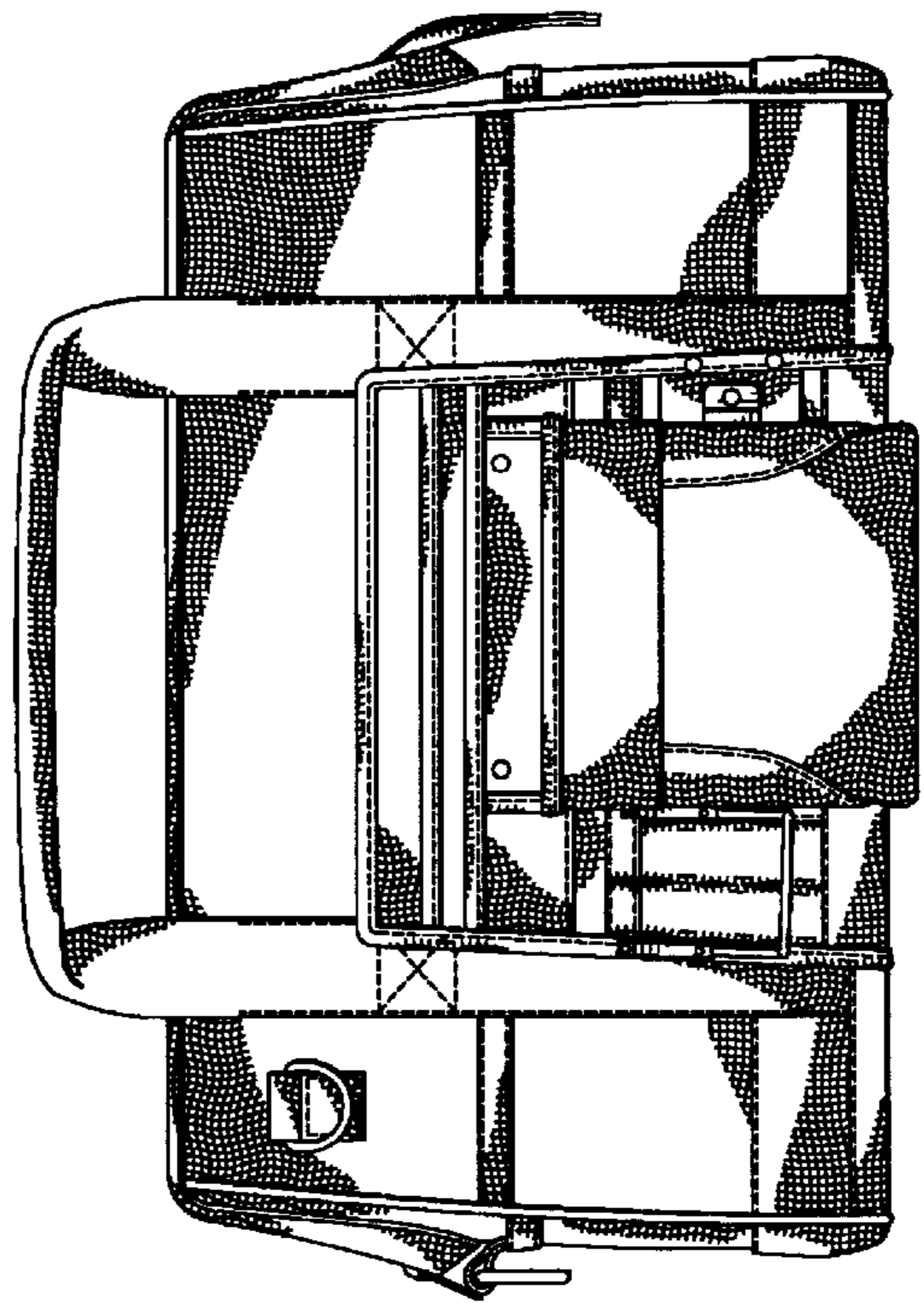


FIG. 3

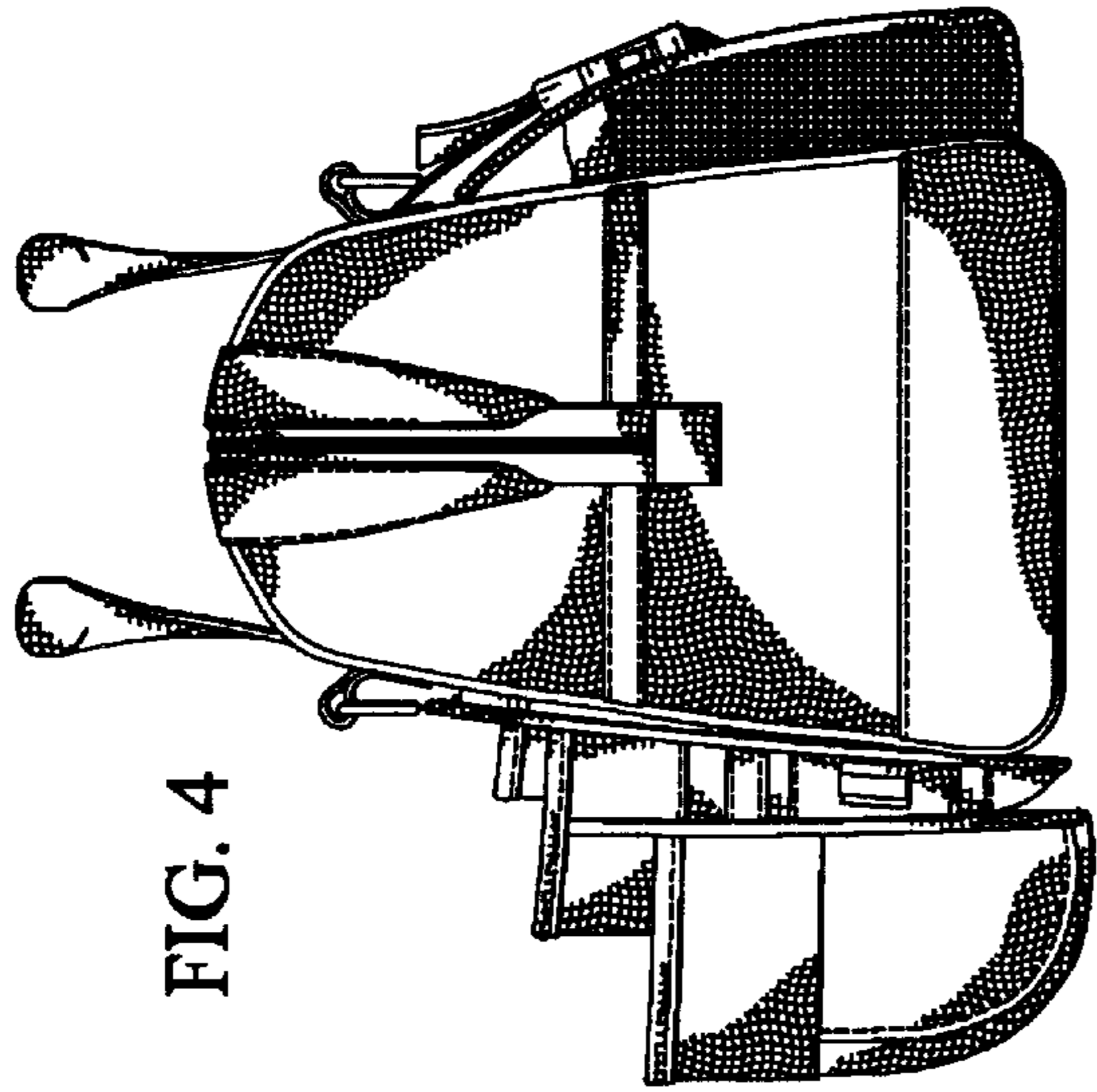


FIG. 4

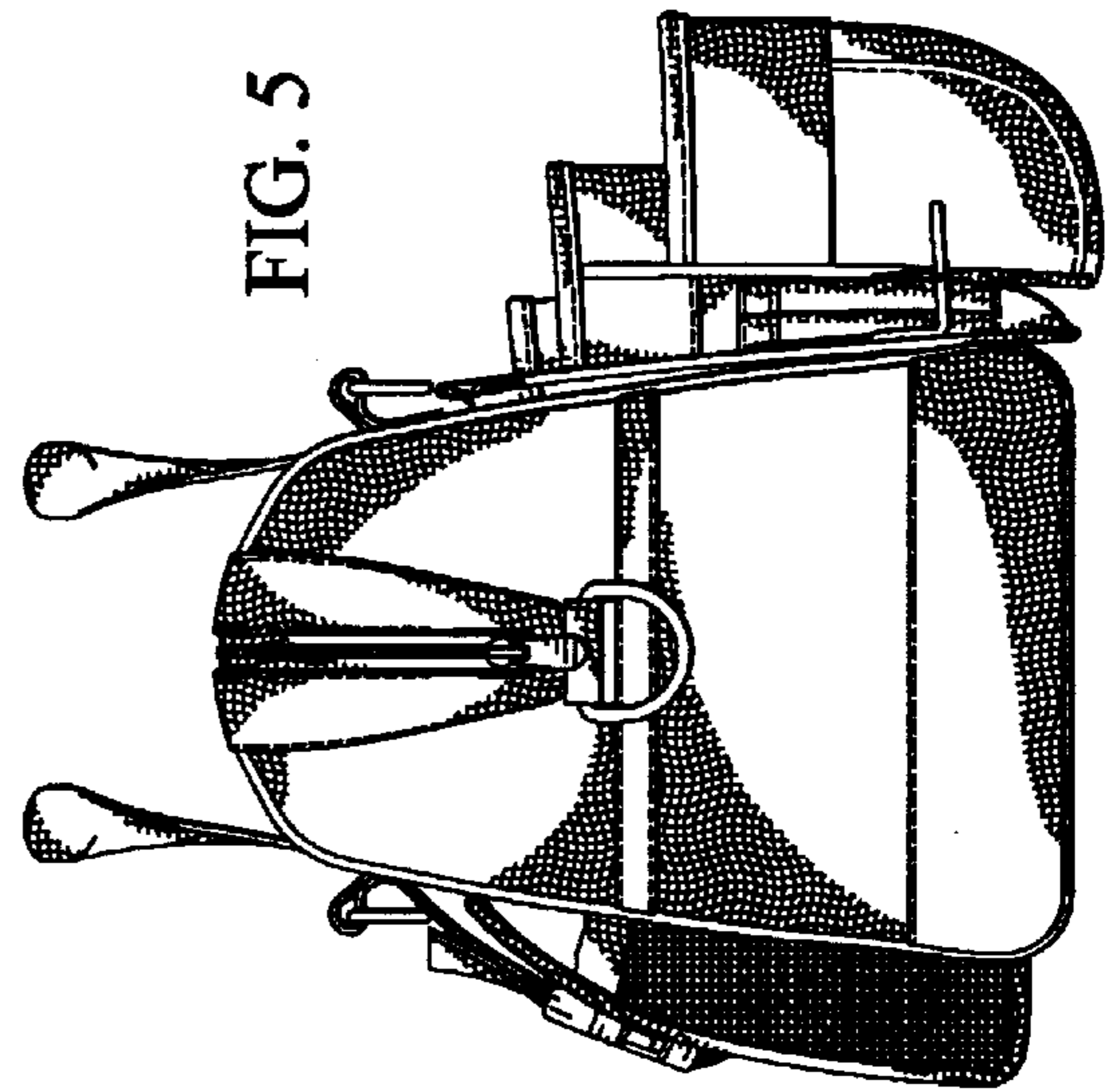


FIG. 5

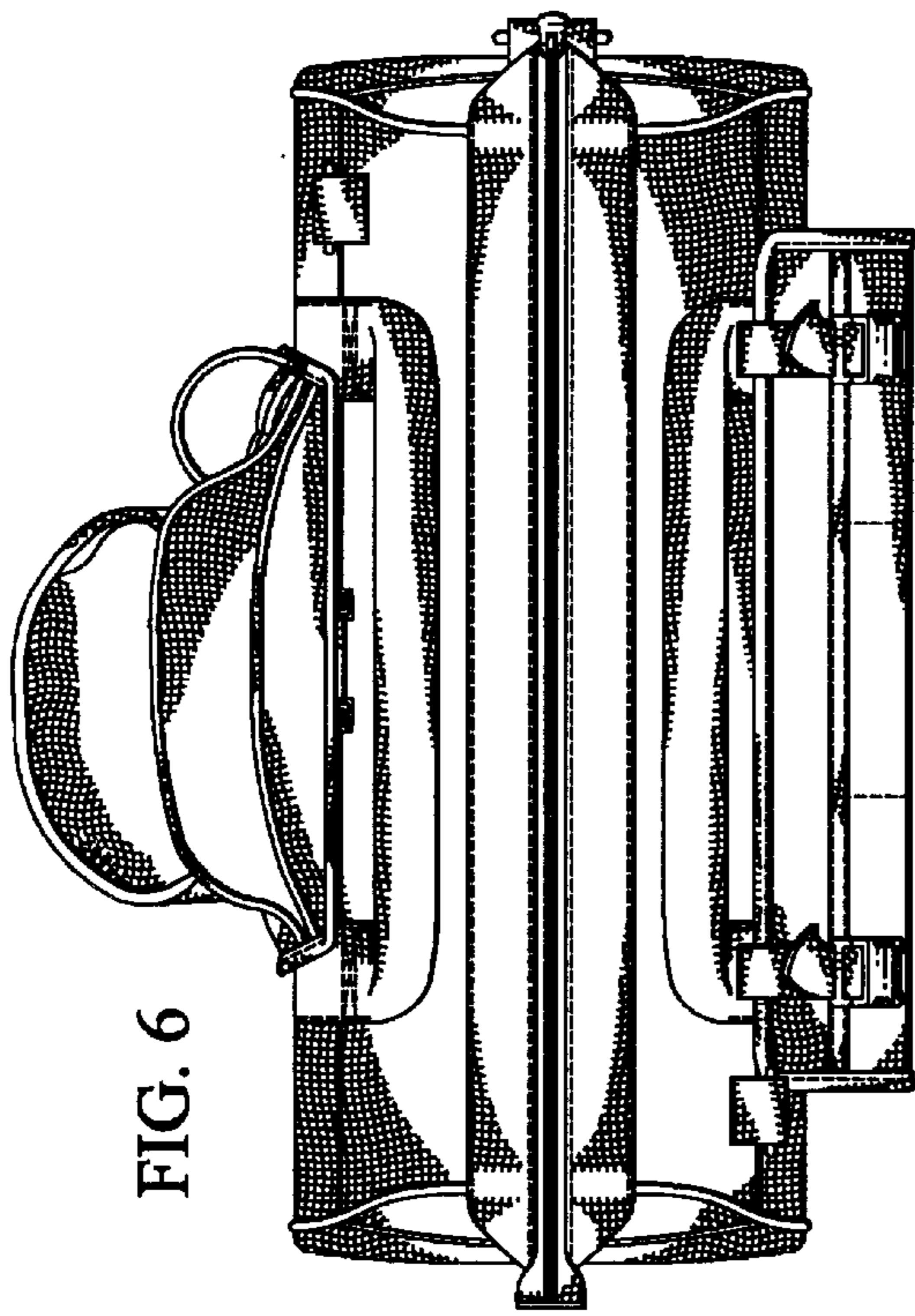


FIG. 6

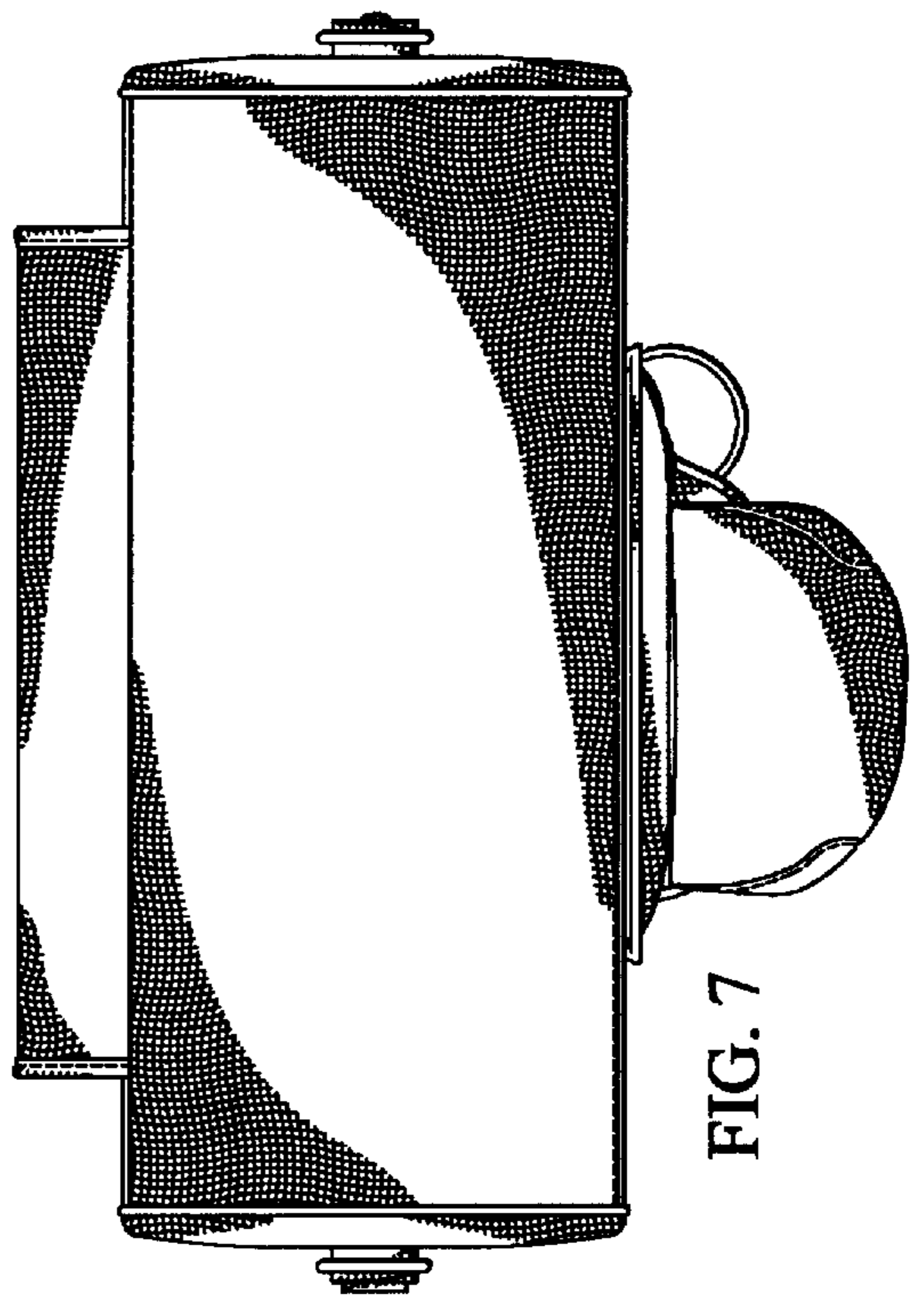


FIG. 7

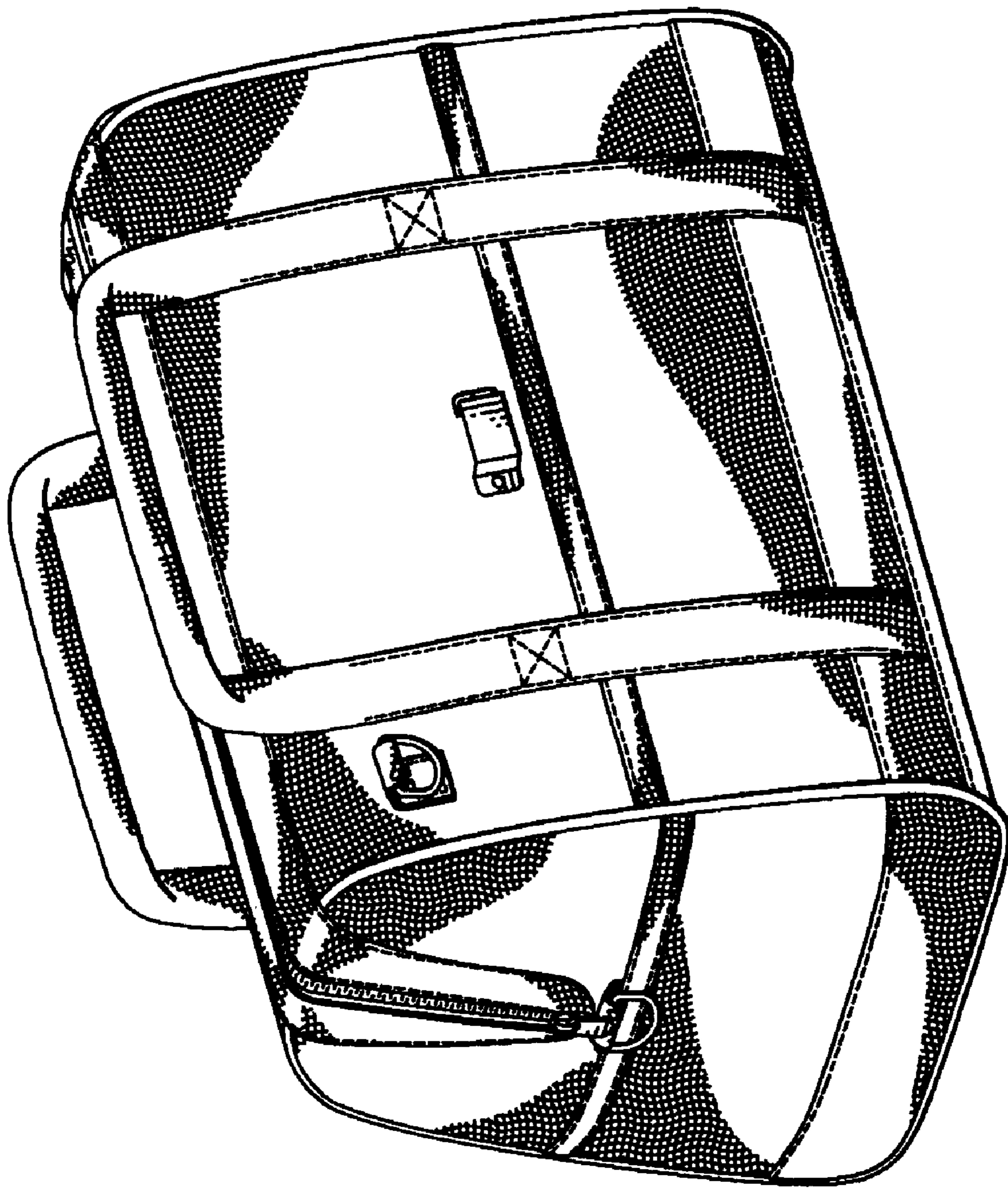


FIG. 8



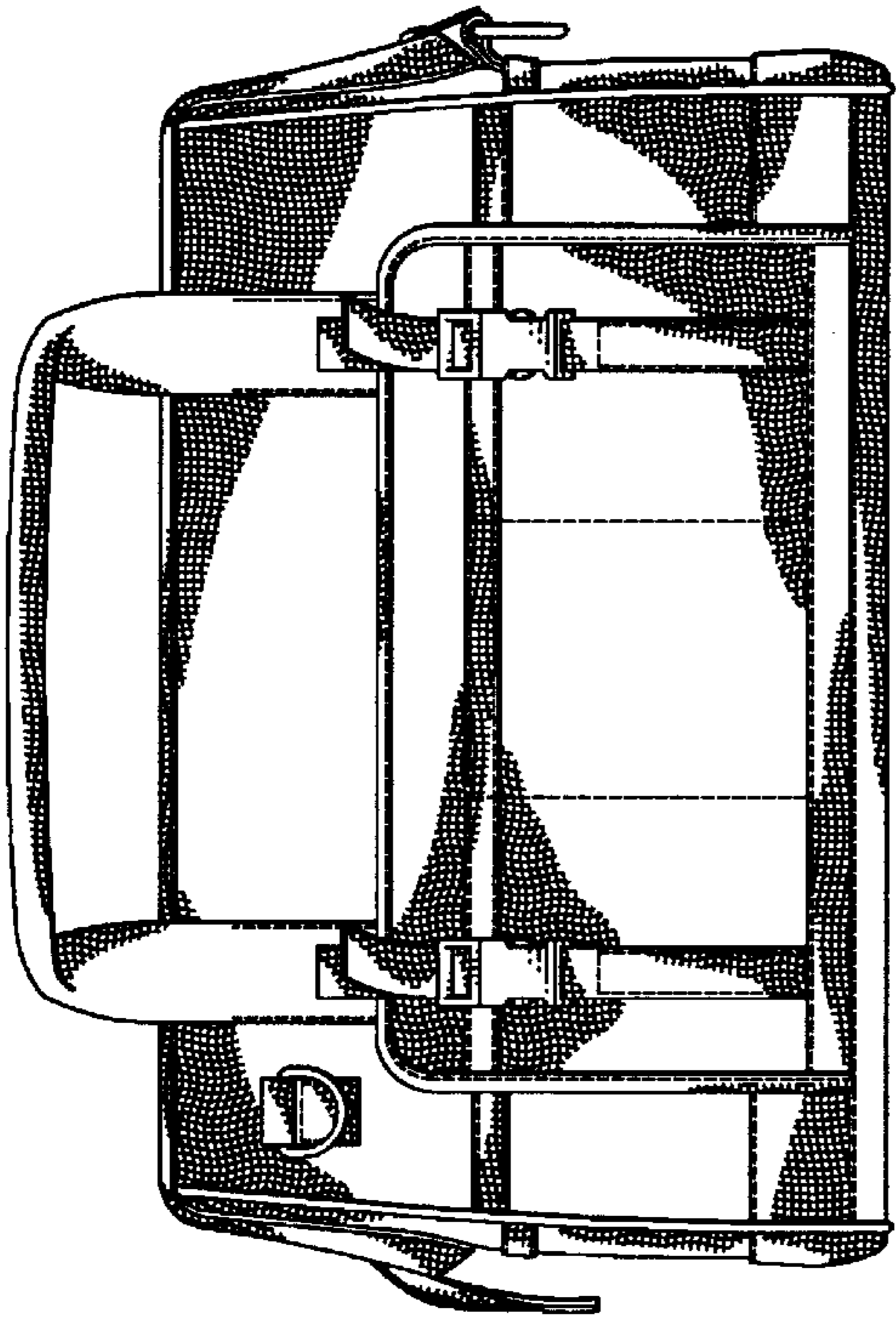


FIG. 9

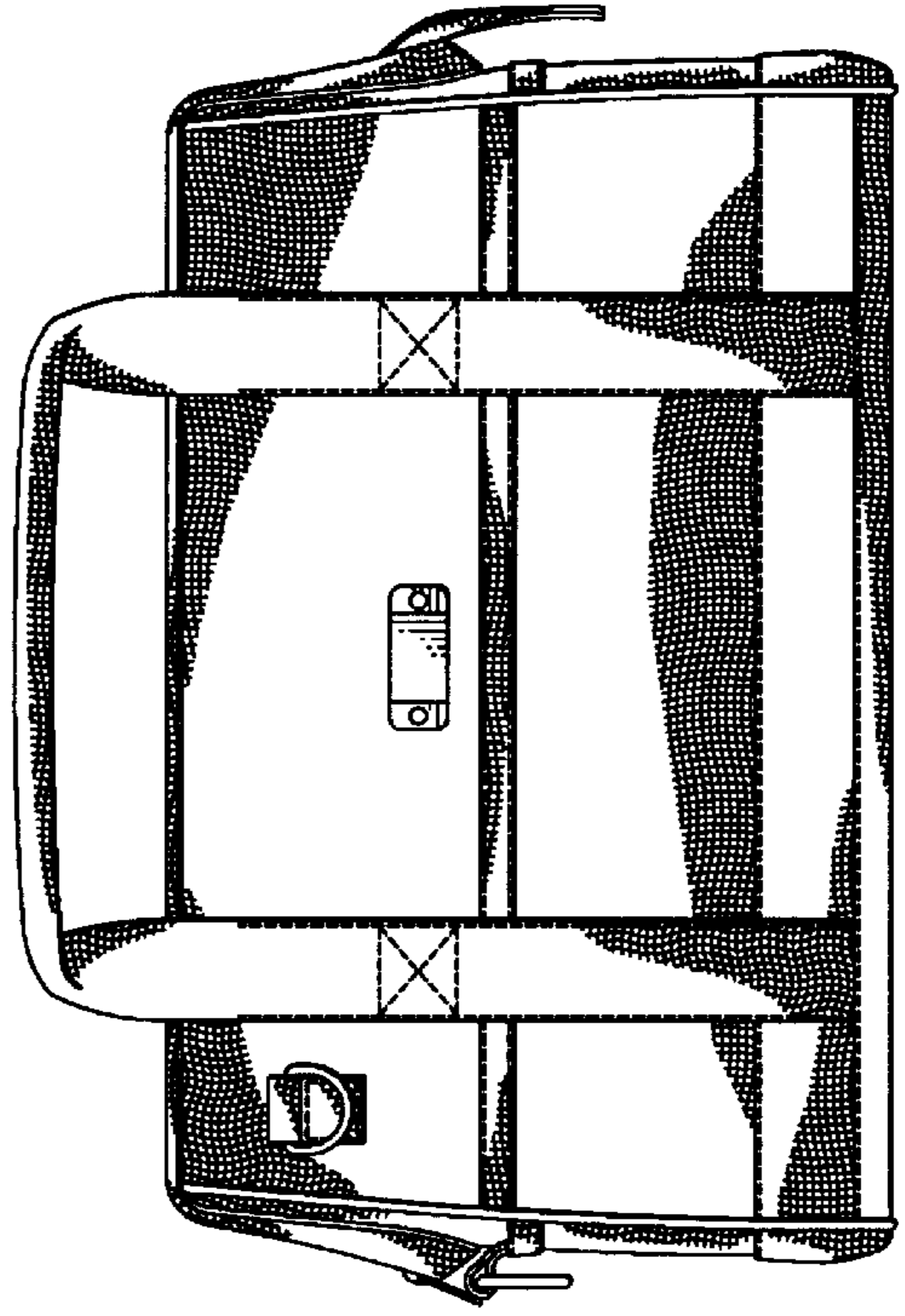
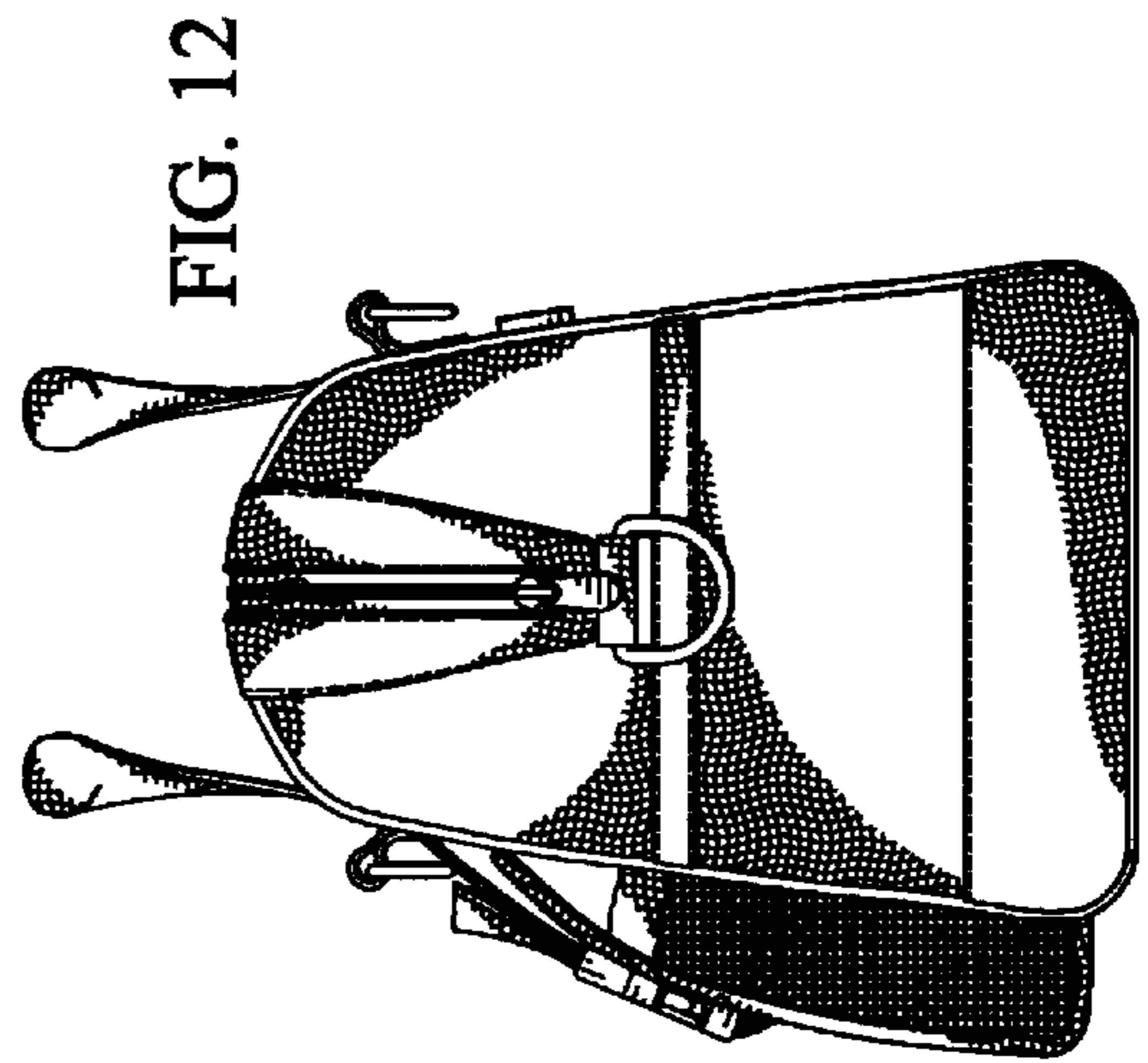
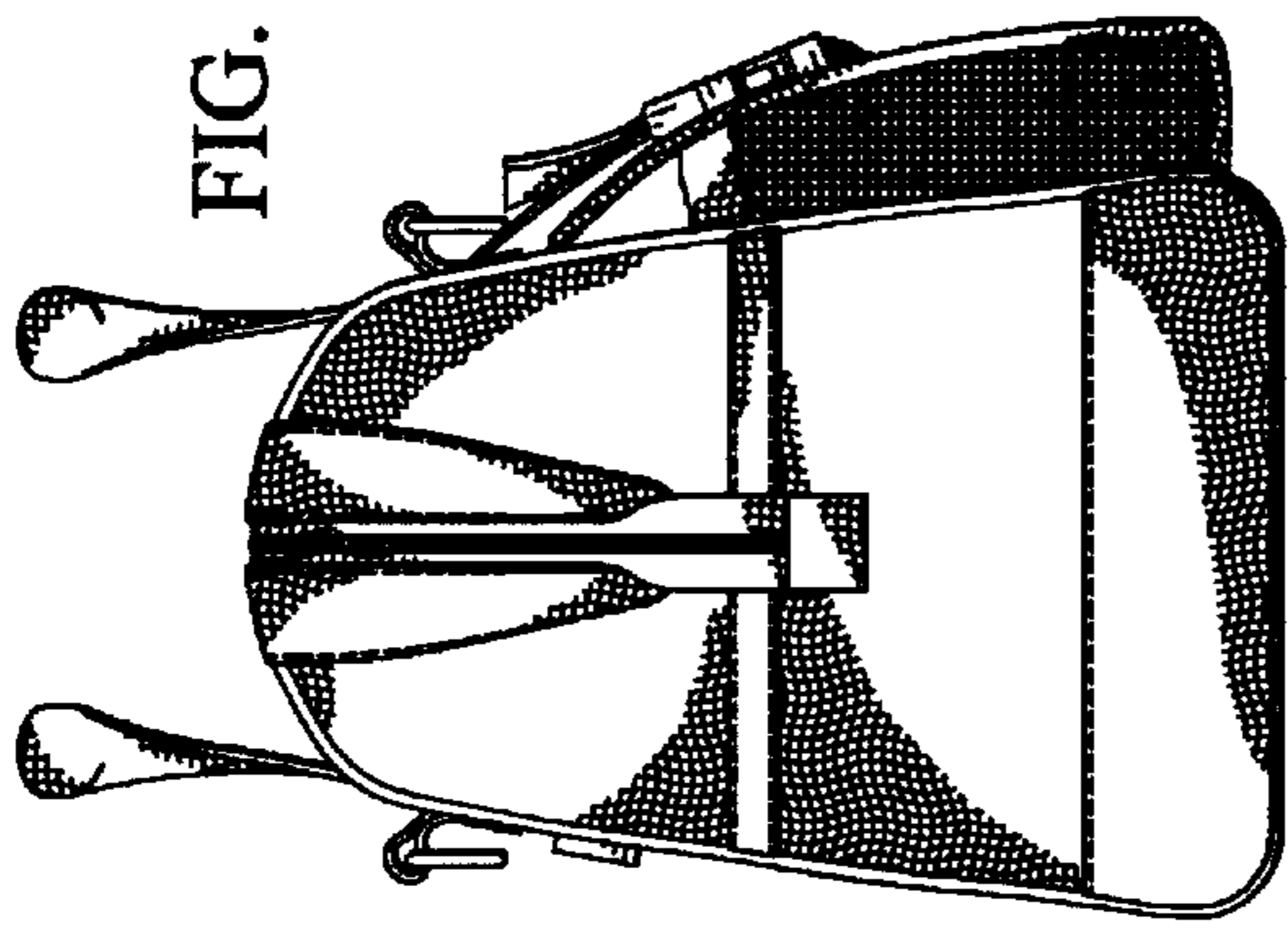


FIG. 10





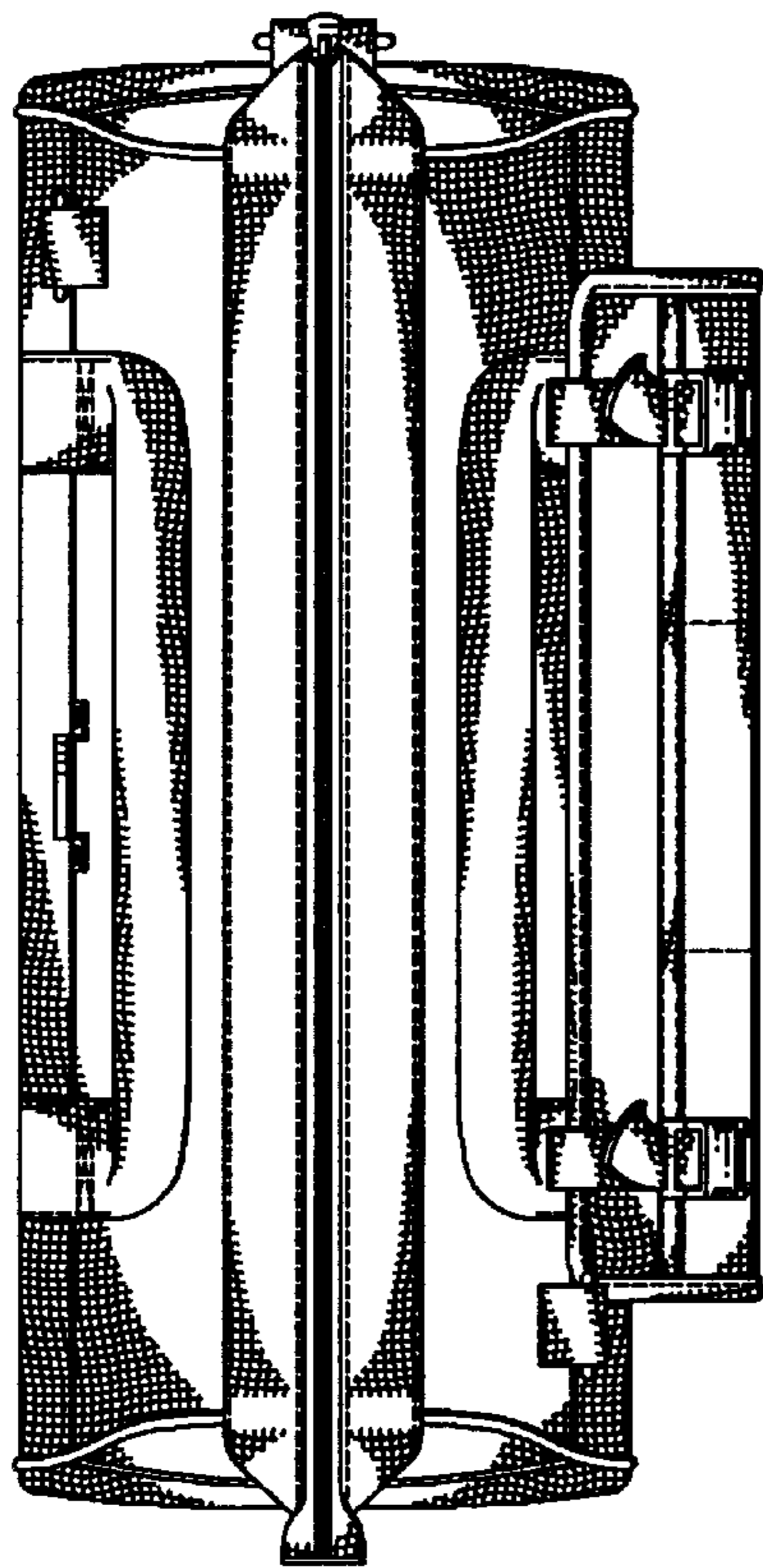


FIG. 13

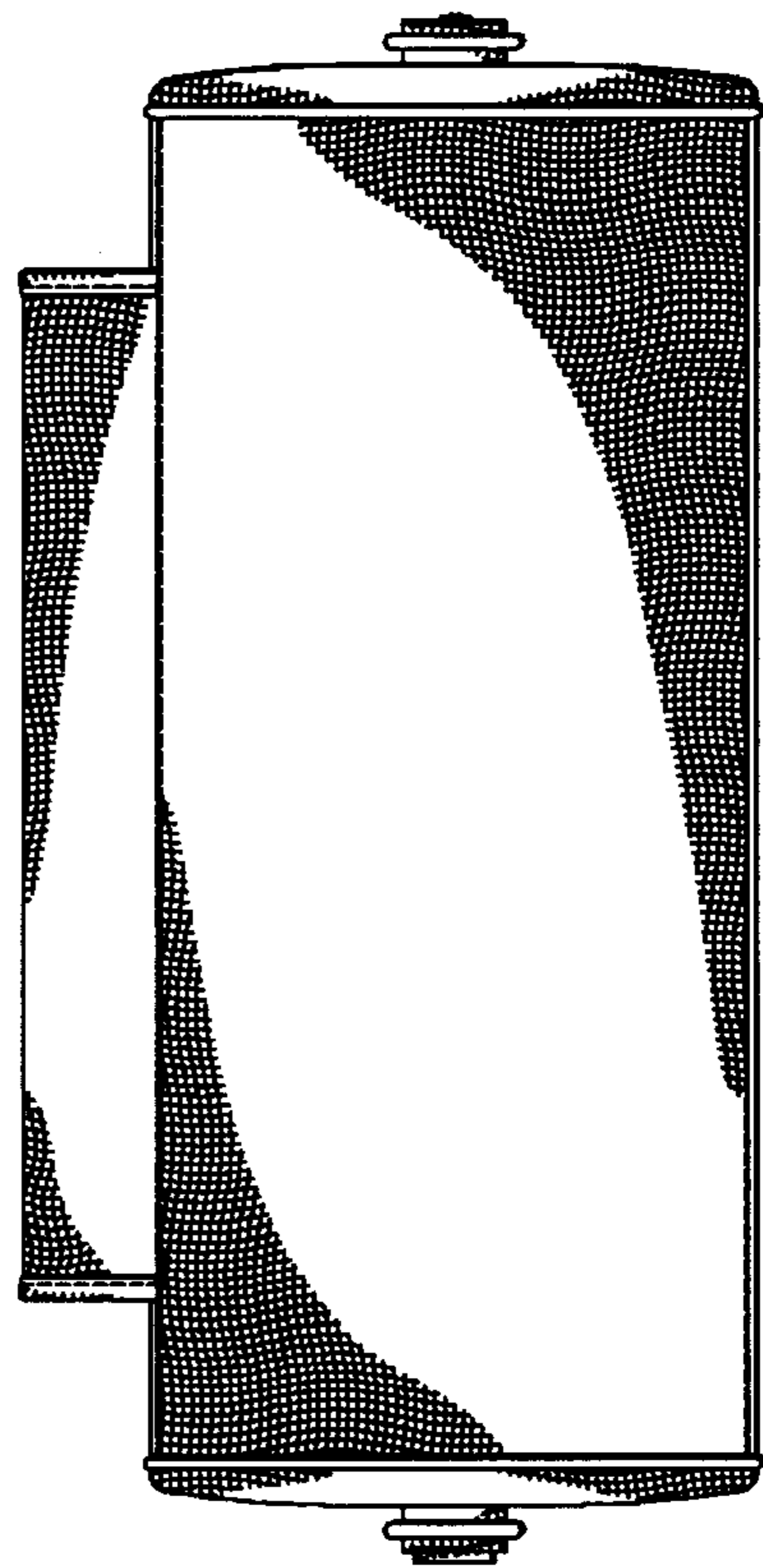


FIG. 14