



US00D477460S

(12) **United States Design Patent**
Hillman

(10) **Patent No.:** **US D477,460 S**

(45) **Date of Patent:** **** Jul. 22, 2003**

(54) **CARRYING CASE AND INTERCONNECTED BELT FOR A CAMERA**

(75) Inventor: **Jack L. Hillman**, Colorado Springs, CO (US)

(73) Assignee: **Case Logic, Inc.**, Longmont, CO (US)

(**) Term: **14 Years**

(21) Appl. No.: **29/166,277**

(22) Filed: **Aug. 23, 2002**

(51) **LOC (7) Cl.** **03-01**

(52) **U.S. Cl.** **D3/219; D3/267**

(58) **Field of Search** D3/219, 267, 268,
D3/226, 276, 287, 289, 232, 233, 243;
206/316.1, 316.2; 224/583, 908

(56) **References Cited**

U.S. PATENT DOCUMENTS

D458,447 S	*	6/2002	Tyler	D3/267
D465,329 S	*	11/2002	Hassett	D3/267
D467,073 S	*	12/2002	Hassett	D3/267

* cited by examiner

Primary Examiner—Catherine R. Oliver
(74) *Attorney, Agent, or Firm*—Sheridan Ross P.C.

(57) **CLAIM**

The ornamental design for a carrying case and interconnected belt for a camera, as shown and described.

DESCRIPTION

FIG. 1 is a front perspective view of a carrying case and interconnected belt for a camera showing my new design, the broken lines depicting environment and forming no part of the claimed design;

FIG. 2 is a front elevation view of the invention illustrated in FIG. 1;

FIG. 3 is a rear elevation view of the invention illustrated in FIG. 1;

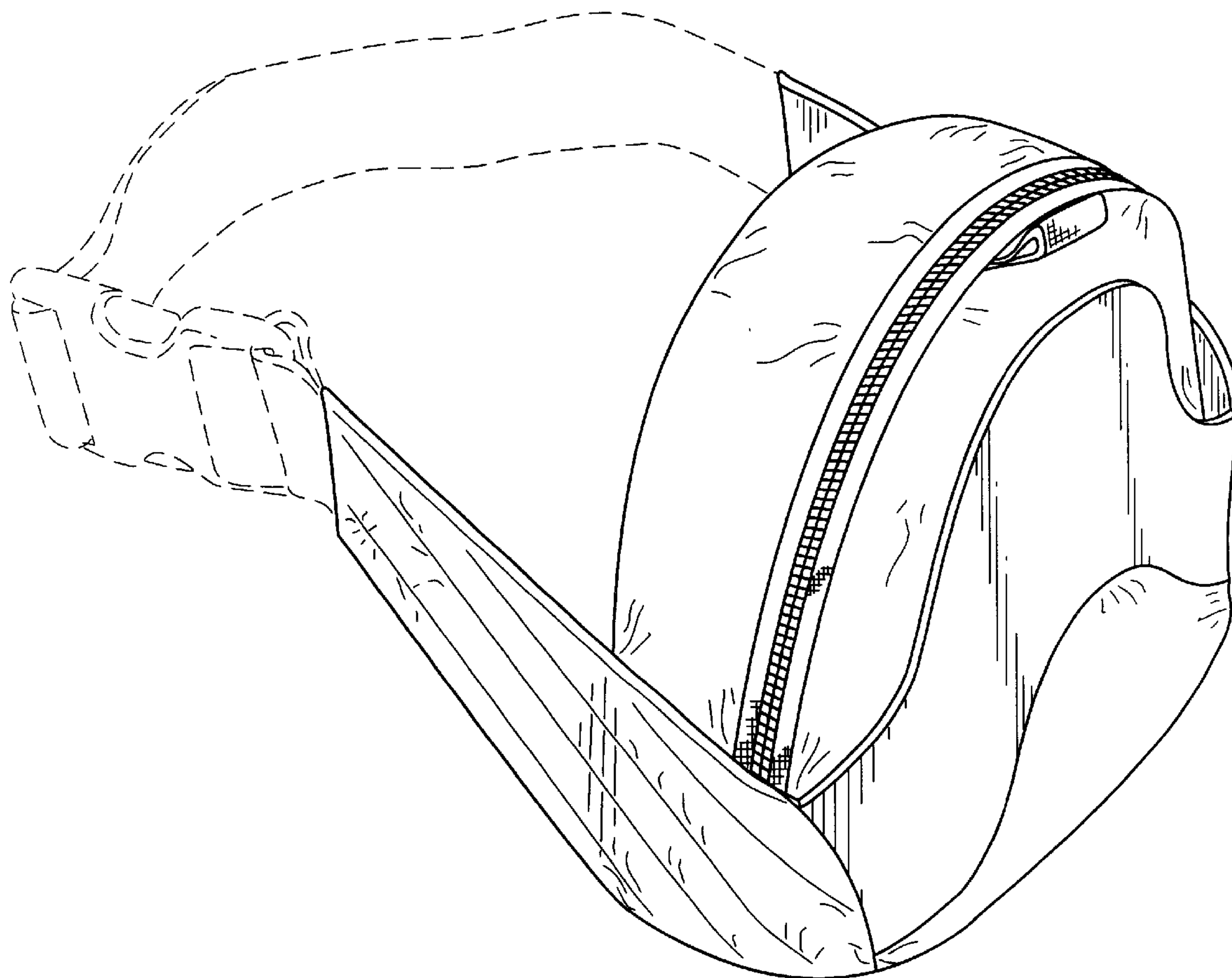
FIG. 4 is a right elevation view of the invention illustrated in FIG. 1;

FIG. 5 is a left elevation view of the invention illustrated in FIG. 1;

FIG. 6 is a top plan view of the invention illustrated in FIG. 1; and,

FIG. 7 is a bottom plan view of the invention illustrated in FIG. 1.

1 Claim, 5 Drawing Sheets



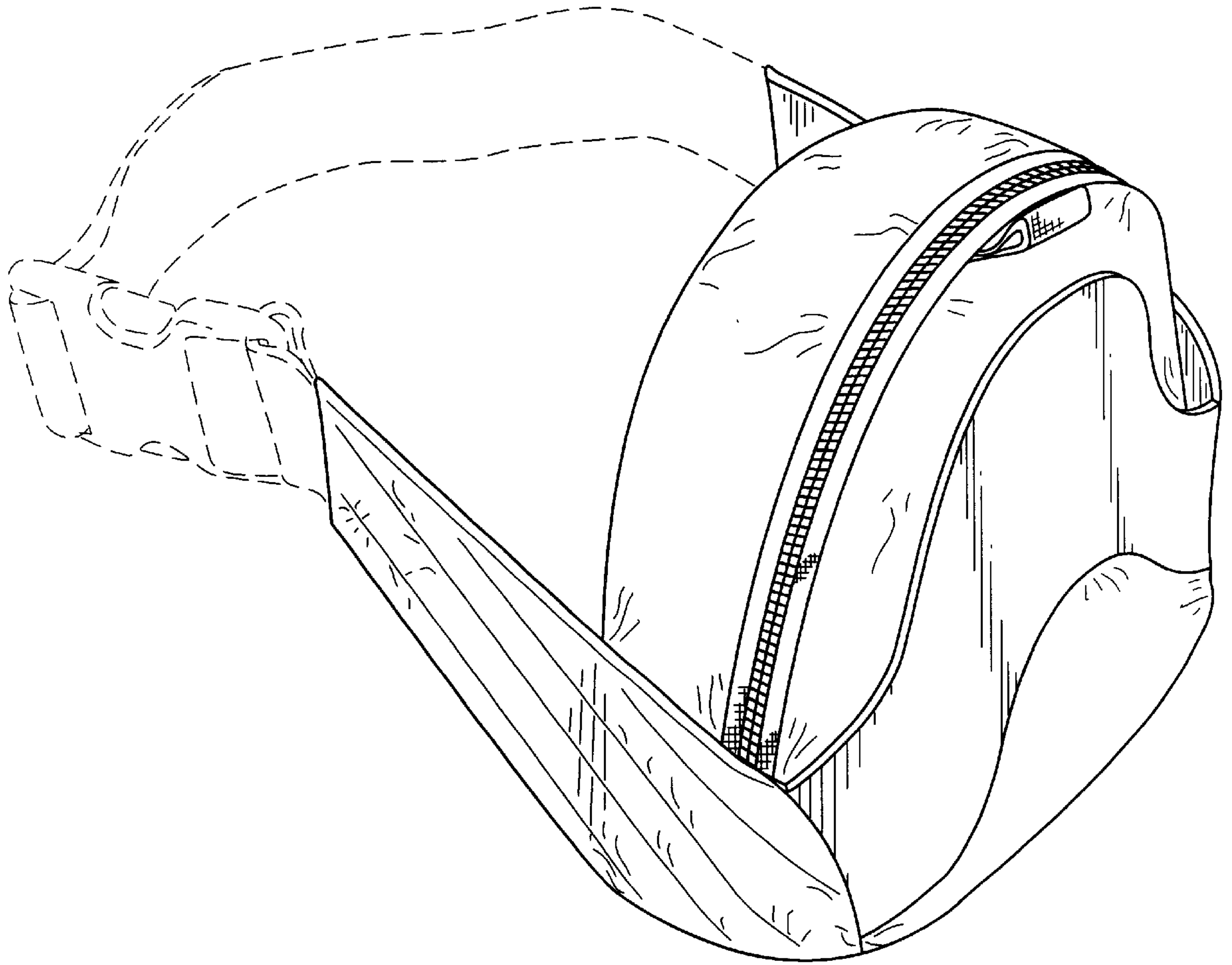


FIG.1

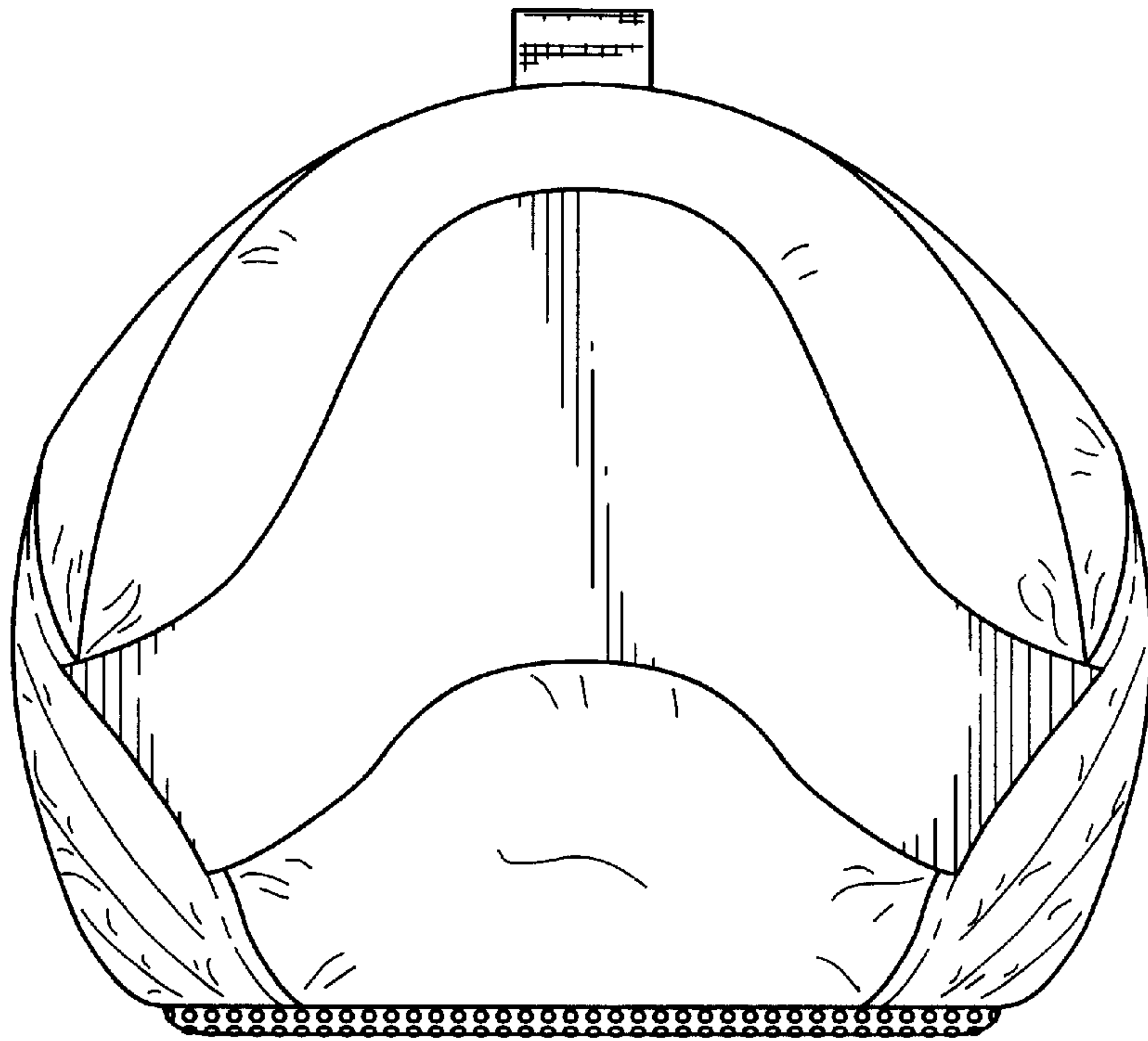


FIG. 2

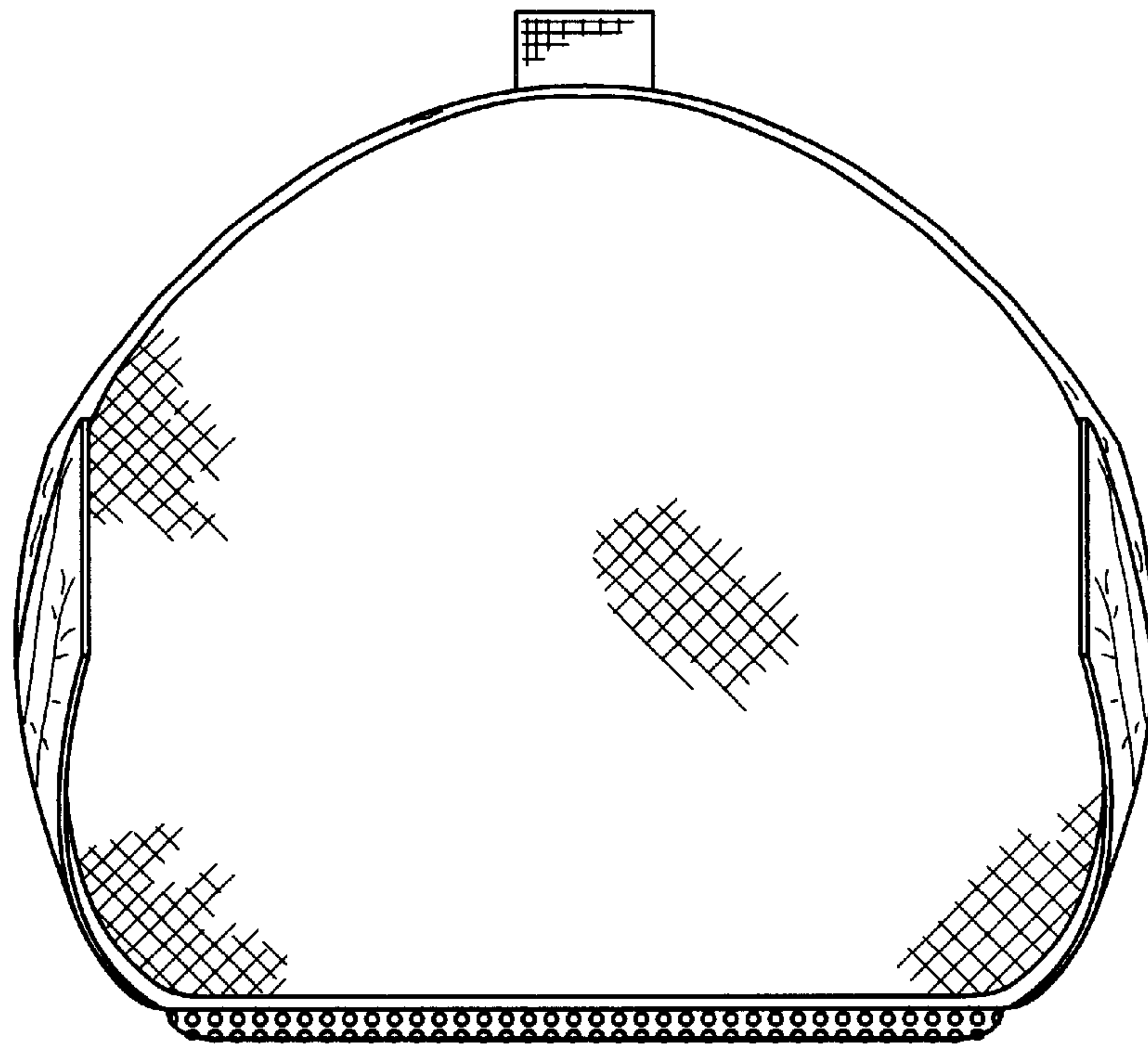


FIG. 3

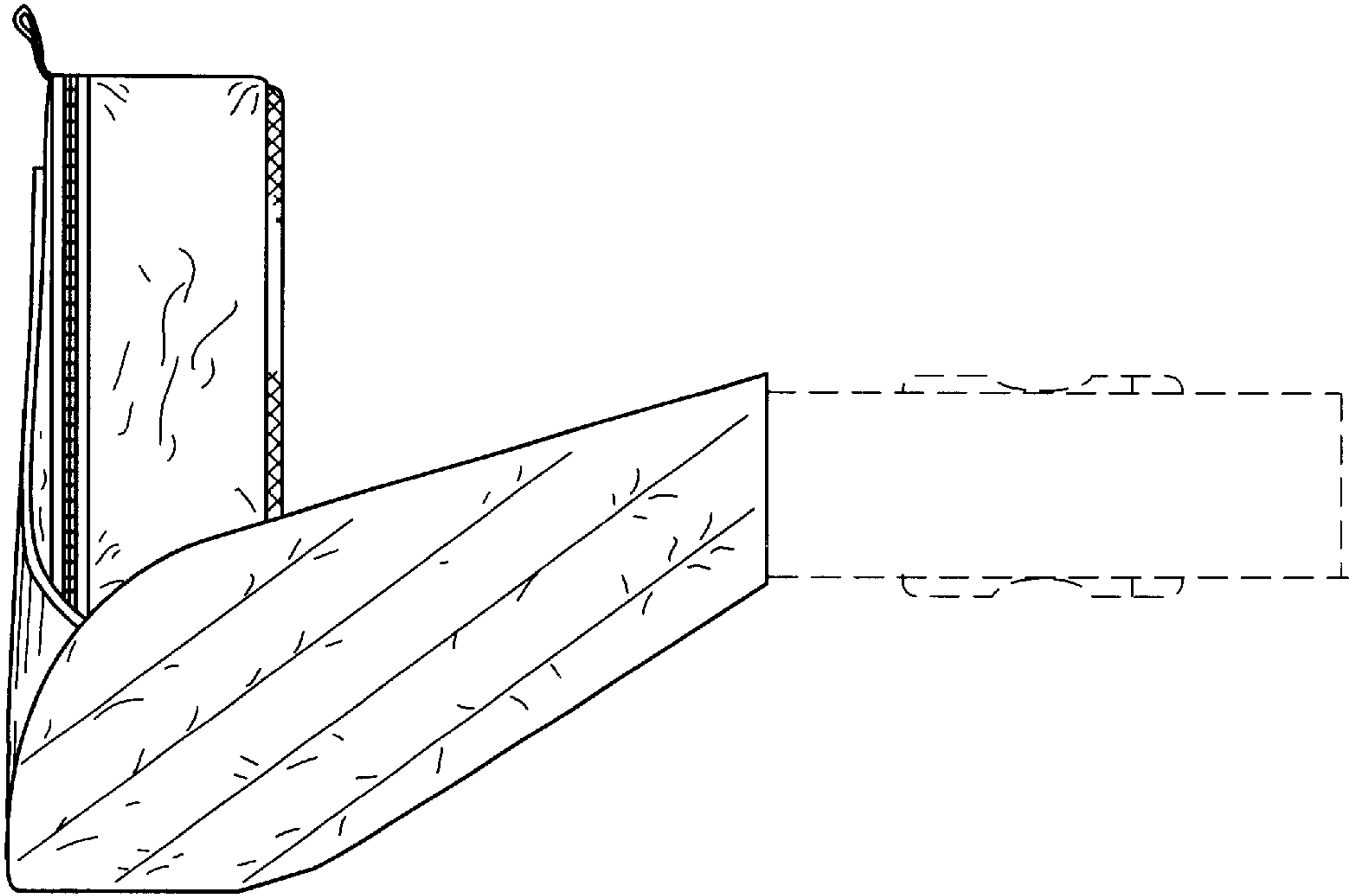


FIG. 4

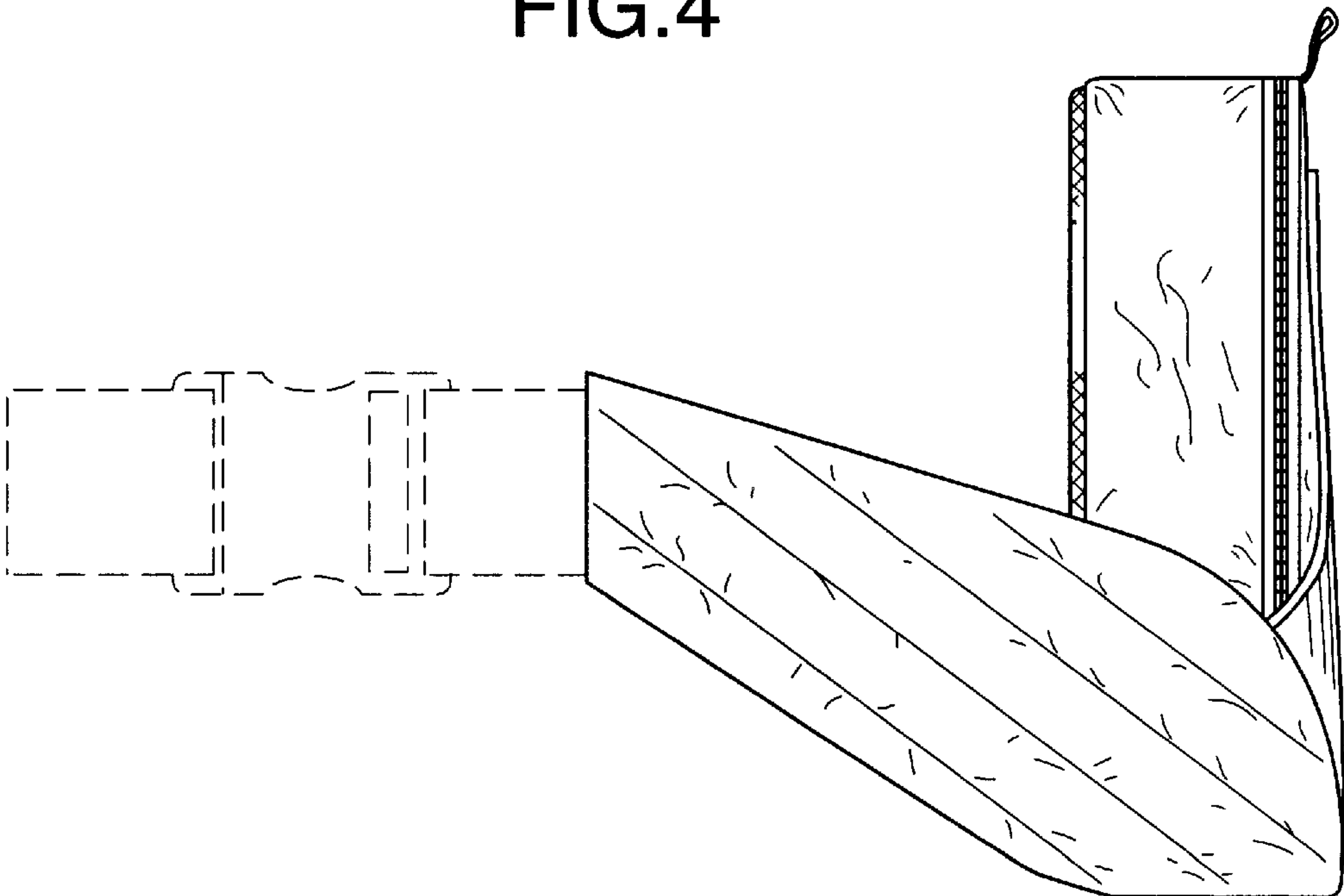


FIG. 5

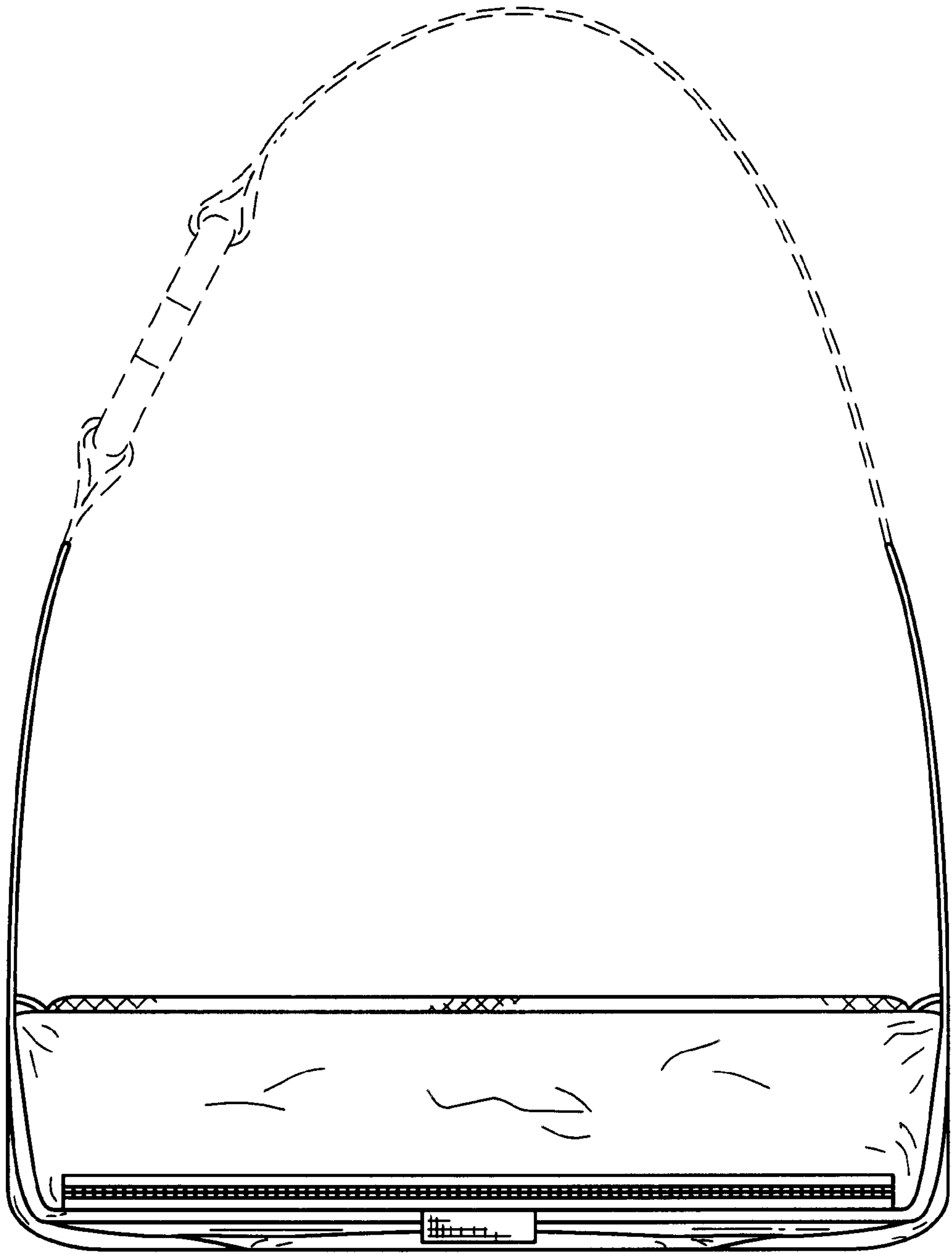


FIG.6

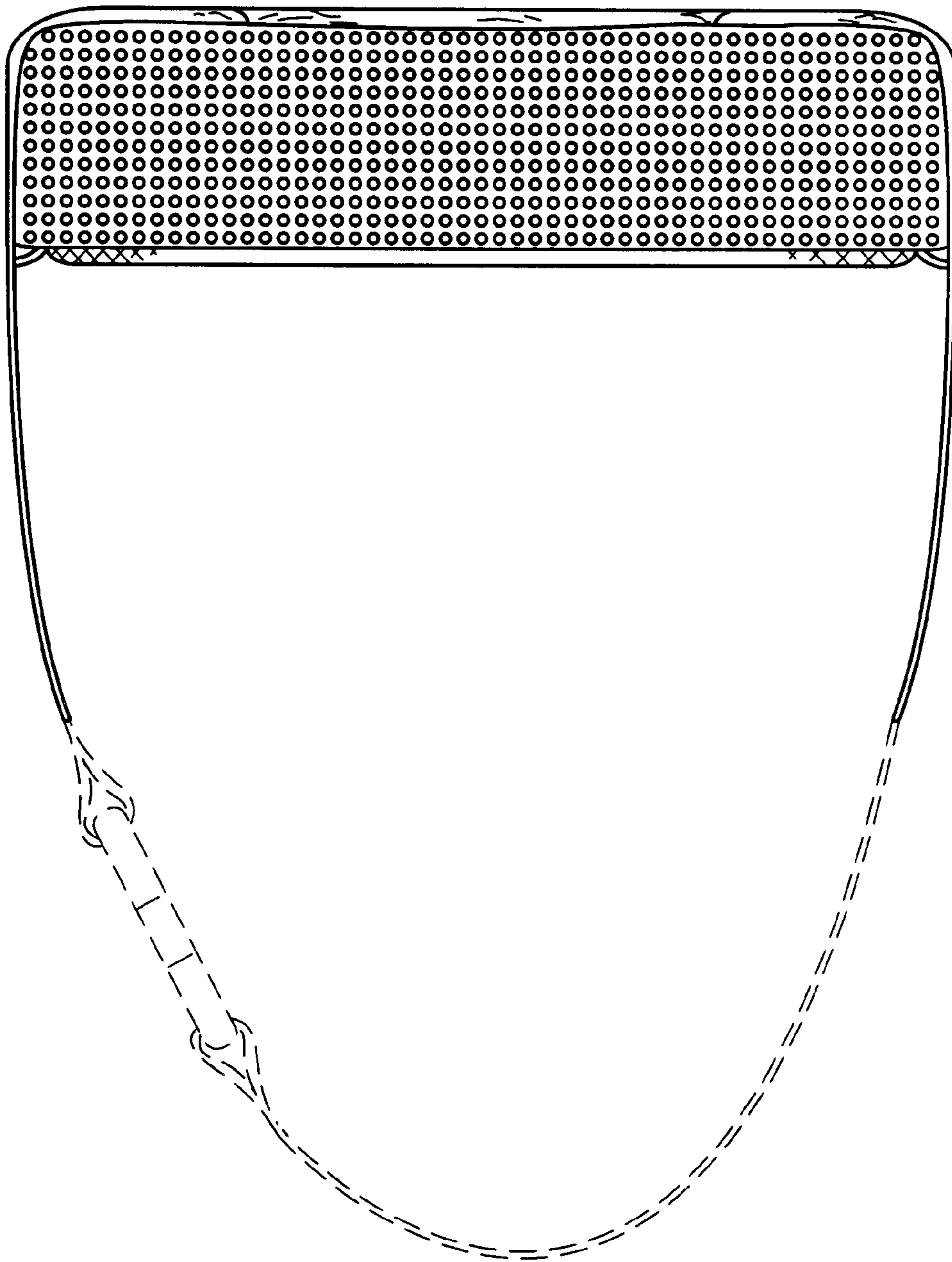


FIG.7