



US00D477453S

(12) **United States Design Patent**
Noble

(10) **Patent No.:** **US D477,453 S**

(45) **Date of Patent:** **** Jul. 22, 2003**

- (54) **CAP**
- (75) Inventor: **Eileen W. Noble**, Brooklyn, NY (US)
- (73) Assignee: **Noble Tile & Vessel, Inc.**, Brooklyn, NY (US)
- (**) Term: **14 Years**
- (21) Appl. No.: **29/152,767**
- (22) Filed: **Oct. 25, 2001**
- (51) **LOC (7) Cl.** **02-03**
- (52) **U.S. Cl.** **D2/882**
- (58) **Field of Search** D2/865, 866, 868,
D2/869, 871, 872, 873, 875, 876, 879,
882, 893; 2/171, 171.6, 181, 195.1, 209.11,
209.12, 209.13, 171.03, 200.3, 171.04,
173.5

- 2,874,387 A 2/1959 Bannister et al.
- 3,406,476 A 10/1968 Wilcox
- 3,484,969 A 12/1969 Newland
- 3,660,919 A 5/1972 Nagel
- 3,811,213 A 5/1974 Eaves
- 3,918,185 A 11/1975 Hasala
- D244,500 S 5/1977 Copeland
- 4,057,855 A 11/1977 Hovhannessian
- 4,187,629 A 2/1980 Yamada
- 4,202,396 A 5/1980 Levy
- 4,233,767 A 11/1980 Hryhorczuk
- 4,255,380 A 3/1981 Björkland
- 4,263,737 A 4/1981 Simon
- D270,319 S 8/1983 Greenberg
- 4,422,253 A 12/1983 Babberl
- 4,694,506 A 9/1987 Perna
- 4,719,651 A 1/1988 Tereshinski
- 4,937,960 A 7/1990 Otake
- 4,939,858 A 7/1990 Dailey
- 5,136,726 A * 8/1992 Kellin et al. 2/171
- 5,410,761 A * 5/1995 Connelly et al. 2/195.1
- D359,159 S 6/1995 Barker
- 5,450,629 A 9/1995 Gilstrap
- D364,507 S 11/1995 Schwartz
- 5,525,383 A 6/1996 Witkowski
- 5,598,650 A 2/1997 Brown
- 5,787,956 A 8/1998 Chen
- 5,901,484 A 5/1999 Seder
- 5,903,926 A 5/1999 Fleming
- D417,063 S 11/1999 Henning
- 5,991,916 A 11/1999 Sierra
- 6,133,892 A 10/2000 Borgwardt
- 6,173,516 B1 1/2001 Duerrstein
- D440,382 S 4/2001 Scheinbaum
- 6,256,796 B1 7/2001 Fleming

(56) **References Cited**

U.S. PATENT DOCUMENTS

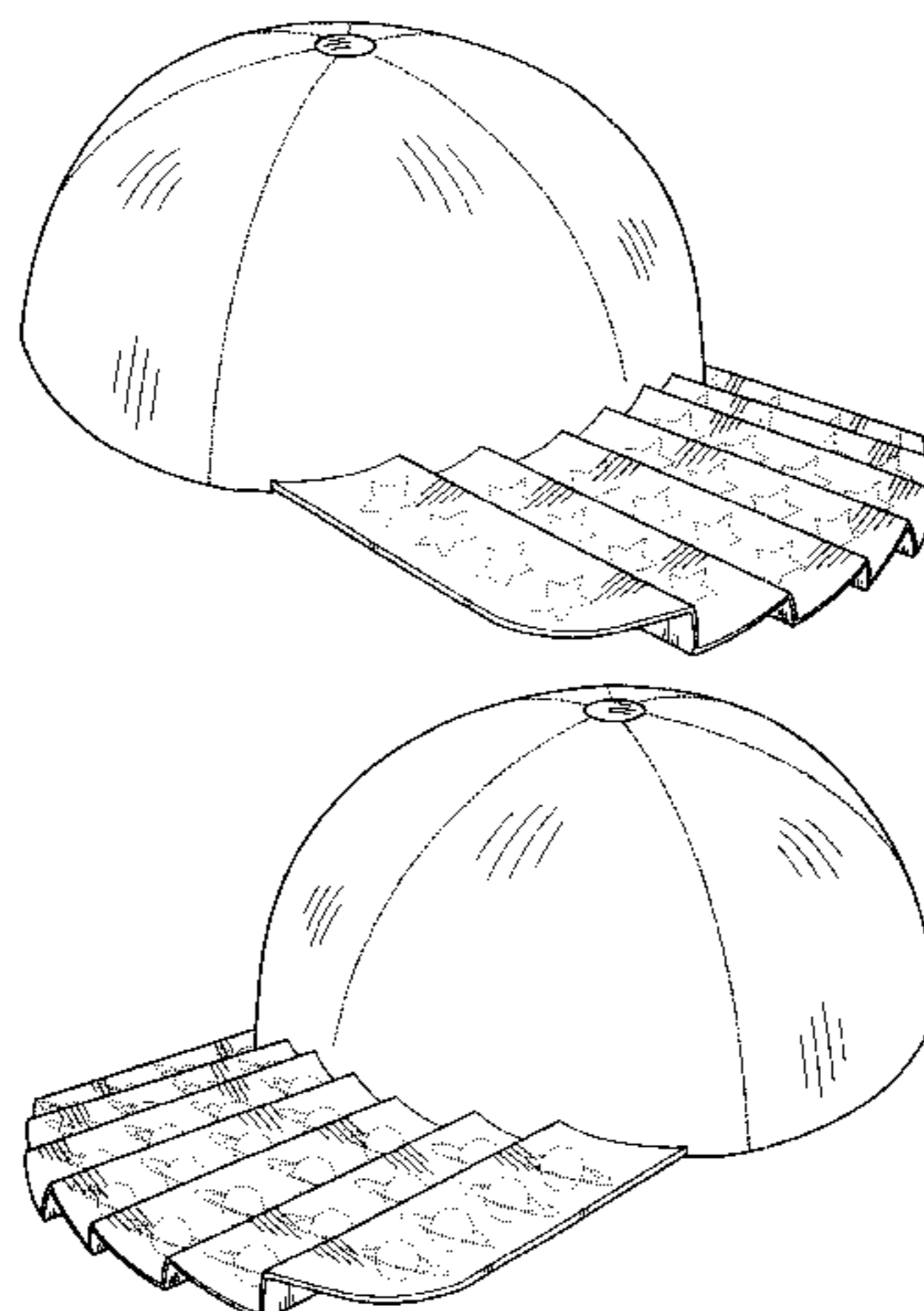
- 385,912 A 7/1888 Coote
- 640,436 A * 1/1900 Anderson 2/173.5
- D36,563 S 9/1903 Collins
- 824,860 A 7/1906 Grove
- 829,492 A 8/1906 Spiegel
- 893,548 A 7/1908 Rosenfeld
- 942,498 A 12/1909 Heinemann
- 990,490 A 4/1911 Miller
- 1,259,297 A 3/1918 Russell
- 1,274,804 A 8/1918 Spitzer
- 1,474,572 A 11/1923 Whitstock
- 1,475,430 A 11/1923 Curwen
- 1,732,357 A 10/1929 Davis
- 1,796,689 A * 3/1931 Grumbach 2/171.04
- D93,212 S * 9/1934 Goldsmith D2/882
- 2,136,925 A * 11/1938 Ristell et al. 2/171.03
- D136,606 S * 11/1943 Christensen D2/873
- D148,113 S 12/1947 Mandel
- 2,619,646 A * 12/1952 Torricelli 2/171.03
- 2,704,903 A 3/1955 Laughlin
- 2,765,472 A 10/1956 Schoen-Wolski
- 2,766,458 A 10/1956 Schoen-Wolski
- 2,810,978 A 10/1957 Chapman

OTHER PUBLICATIONS

Japan Patent Application No. 10-298847, Published Nov. 10, 1998, "Cloth Causing Change in Display Due to Two-Plane Display", Inventor: Shindo Tadashi including two-page English abstract thereto.

* cited by examiner

Primary Examiner—Doris V. Coles
Assistant Examiner—Mimosa De
(74) *Attorney, Agent, or Firm*—Brown Raysman Millstein Felder & Steiner LLP



(57)

CLAIM

The ornamental design for a cap, as shown and described.

DESCRIPTION

FIG. 1 is a perspective view, taken from the front and left, of a cap showing my new design;

FIG. 2 is a perspective view, taken from the front and right, thereof;

FIG. 3 is a top plan view thereof;

FIG. 4 is a bottom plan view thereof;

FIG. 5 is a front elevational view thereof;

FIG. 6 is a rear elevational view thereof;

FIG. 7 is a left-side elevational view thereof; and,

FIG. 8 is a right-side elevational view thereof.

The patterns (of stars and moons) shown in stippled lines are for the purposes of illustrating the application of graphics or a composite image to a visor of the cap, but do not form part of the claimed design.

1 Claim, 3 Drawing Sheets

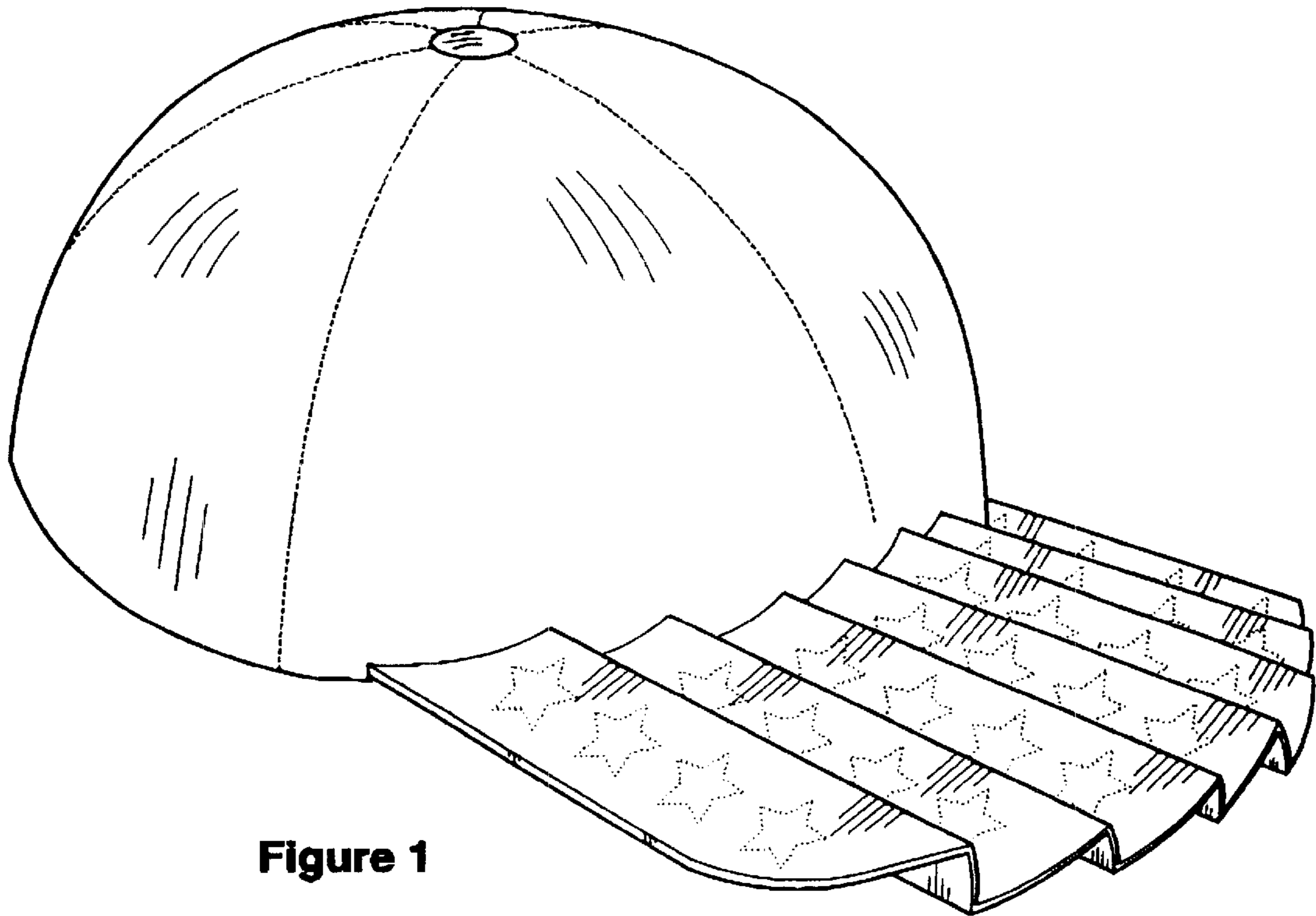


Figure 1

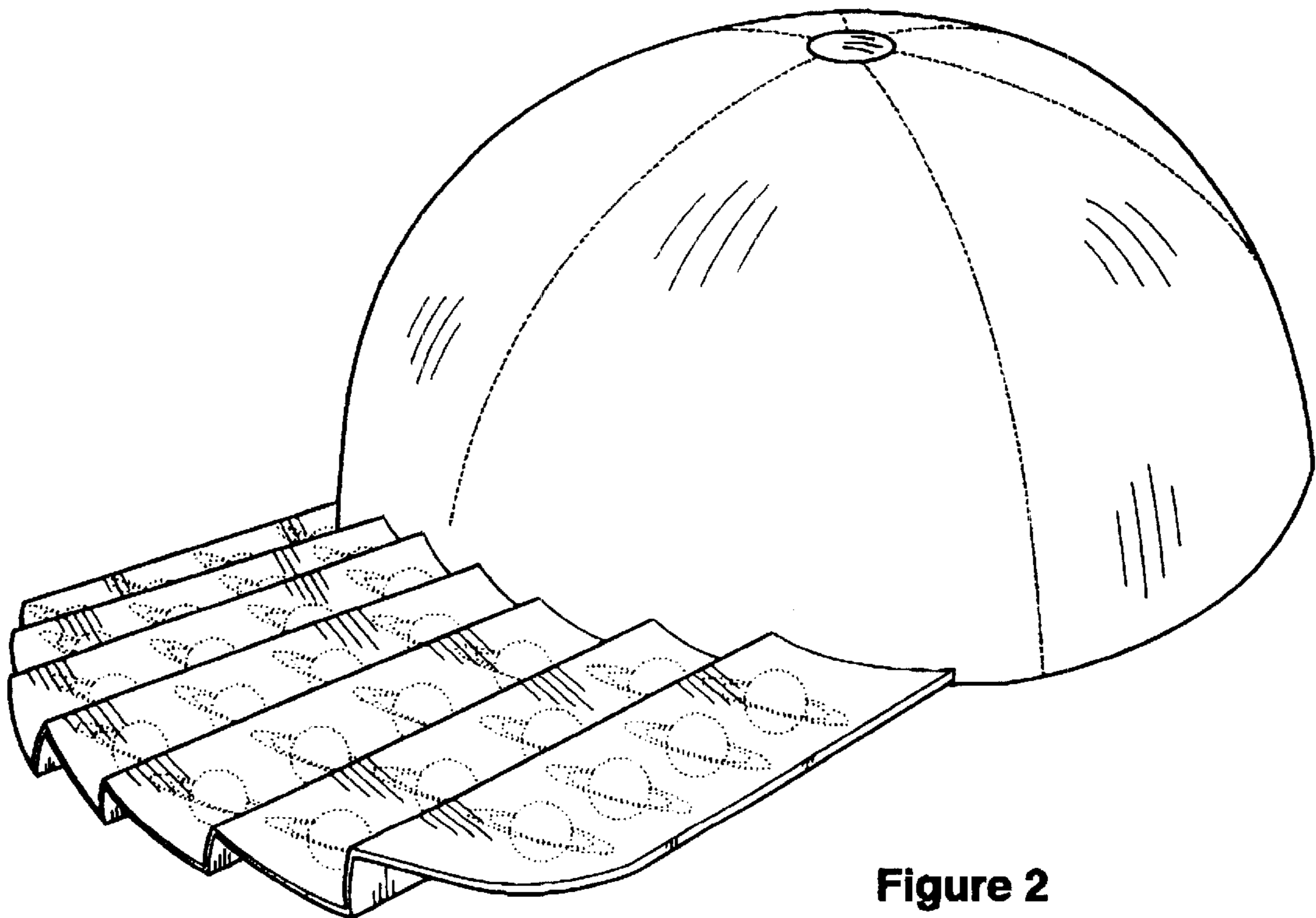


Figure 2

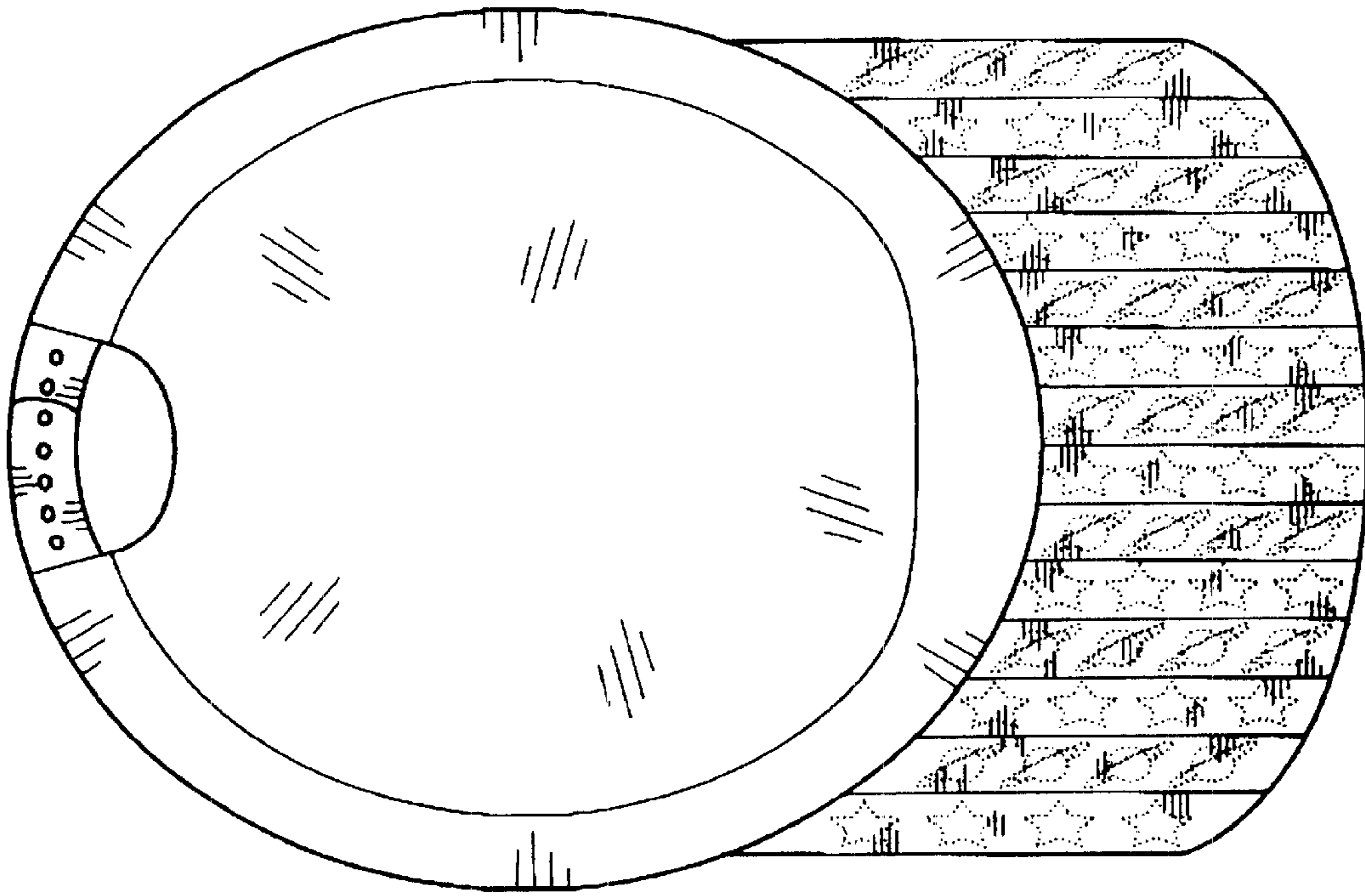


Figure 4

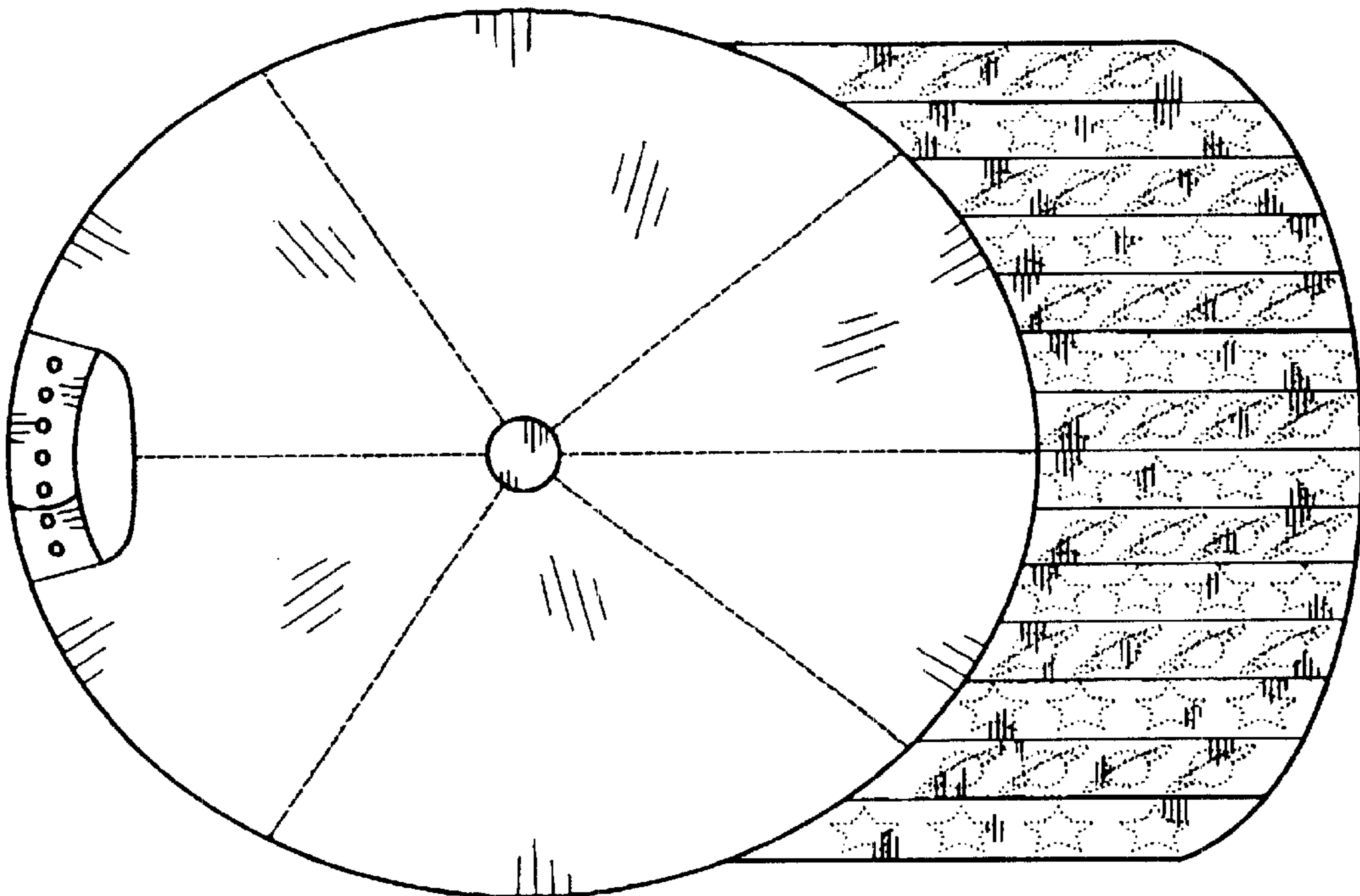


Figure 3

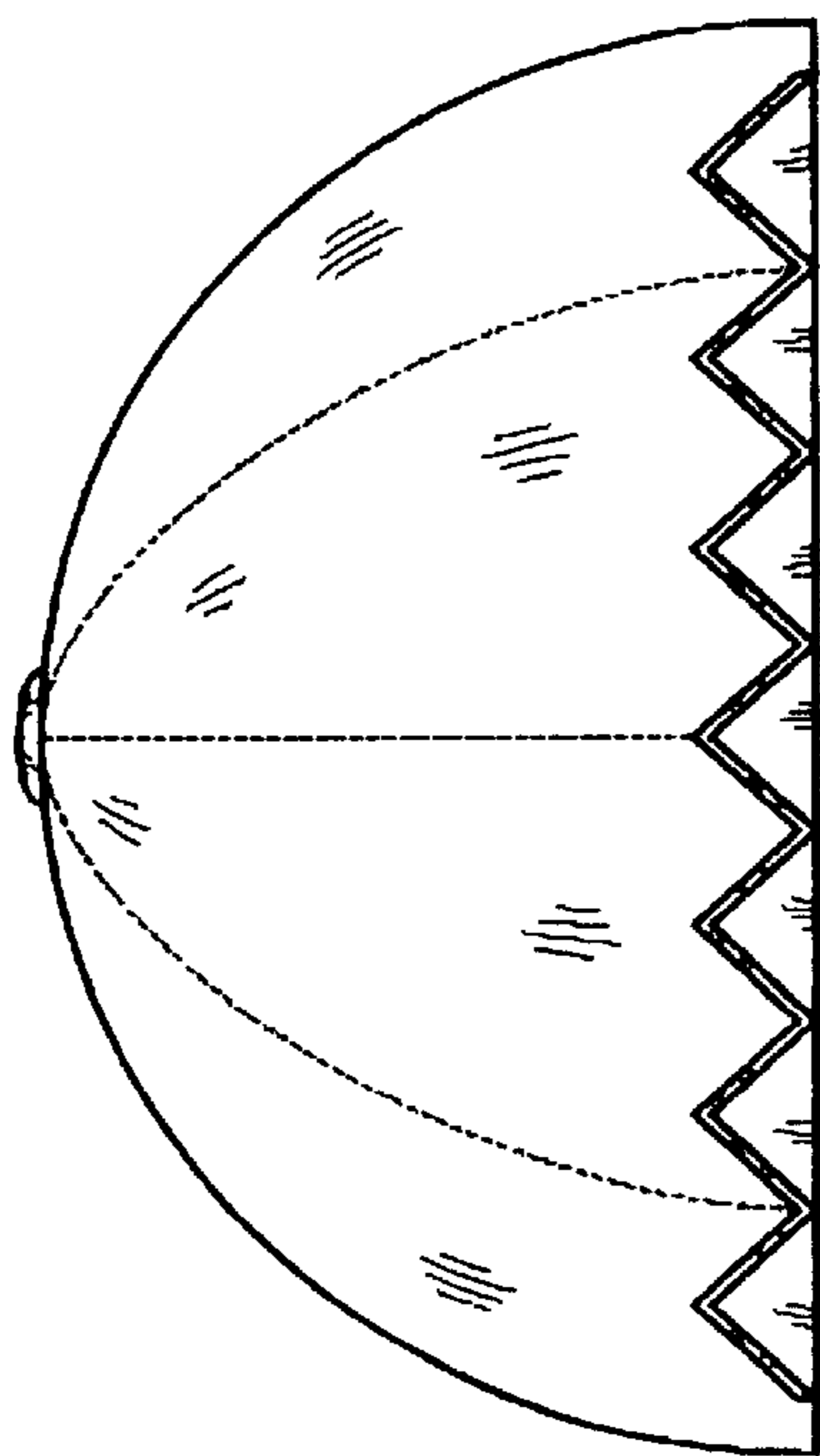


Figure 5

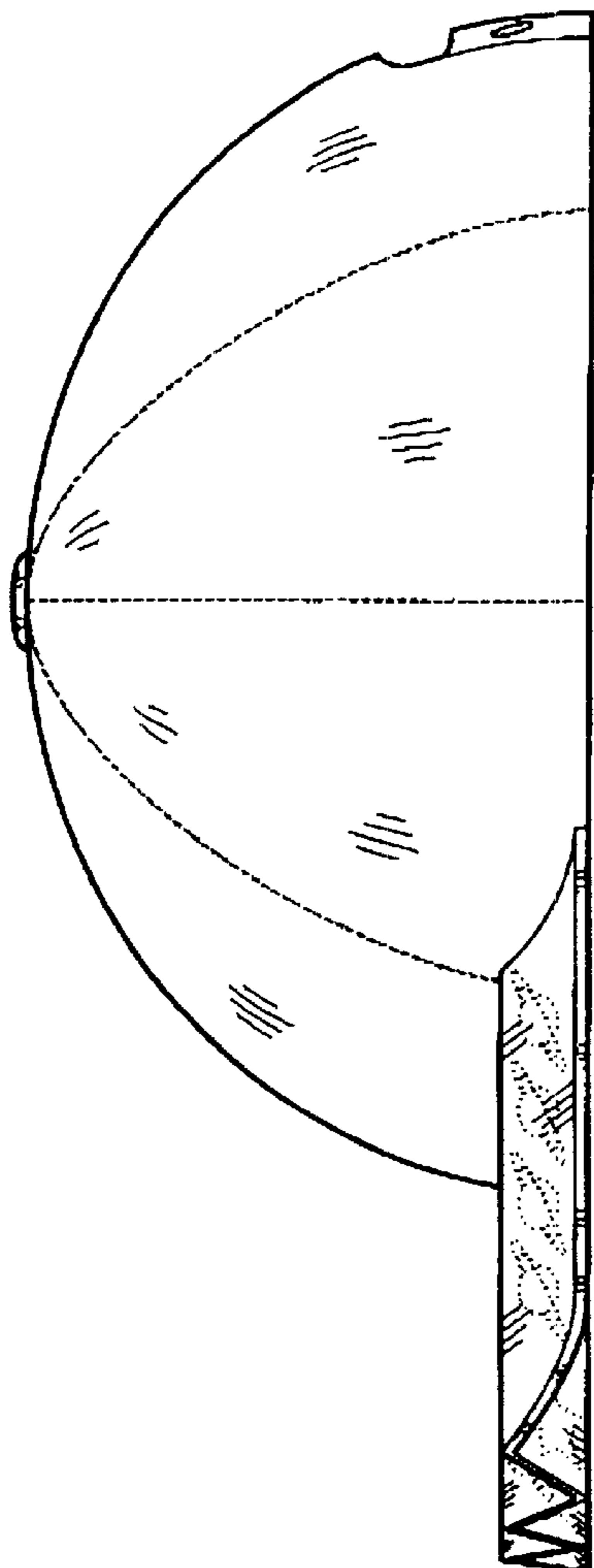


Figure 7

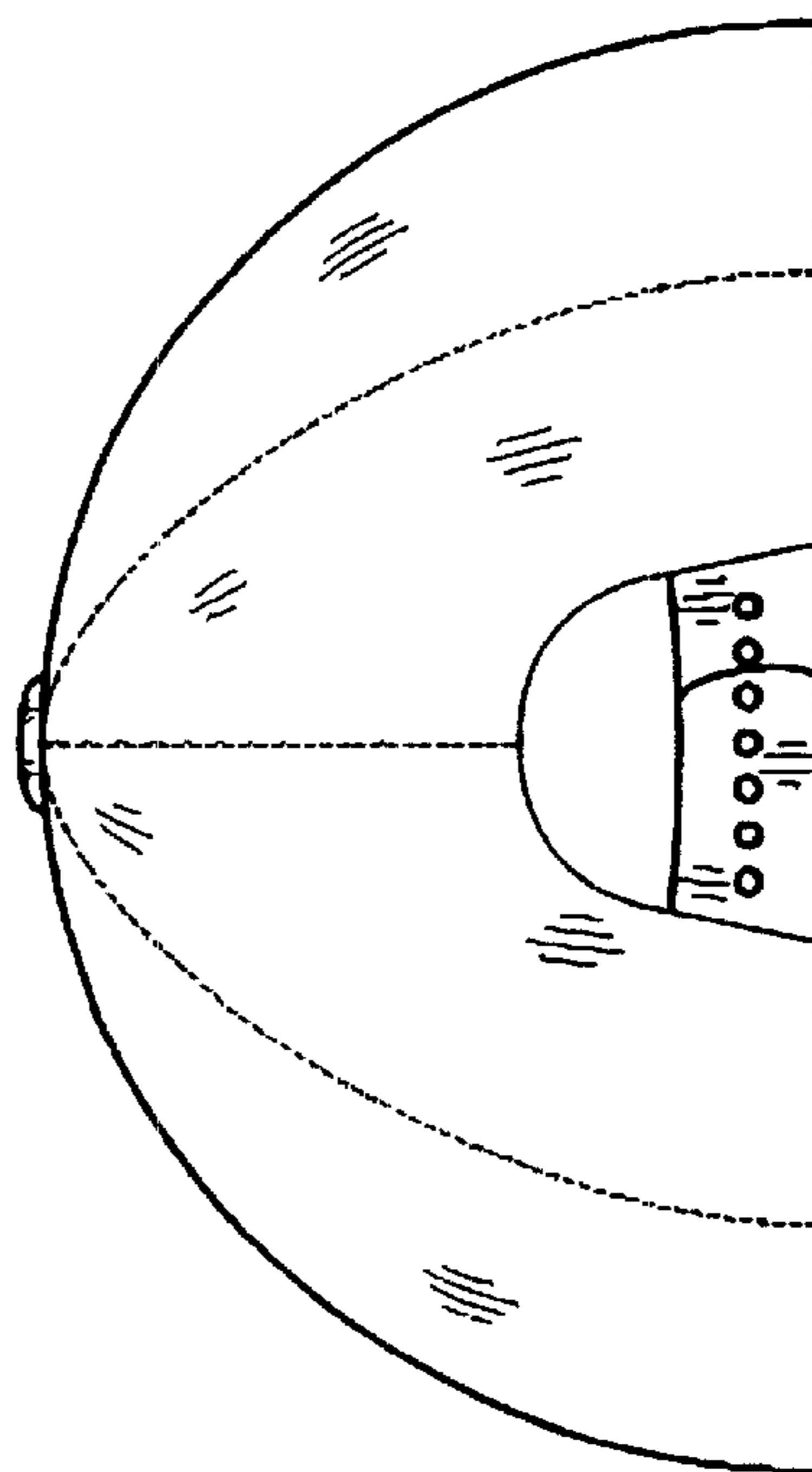


Figure 6

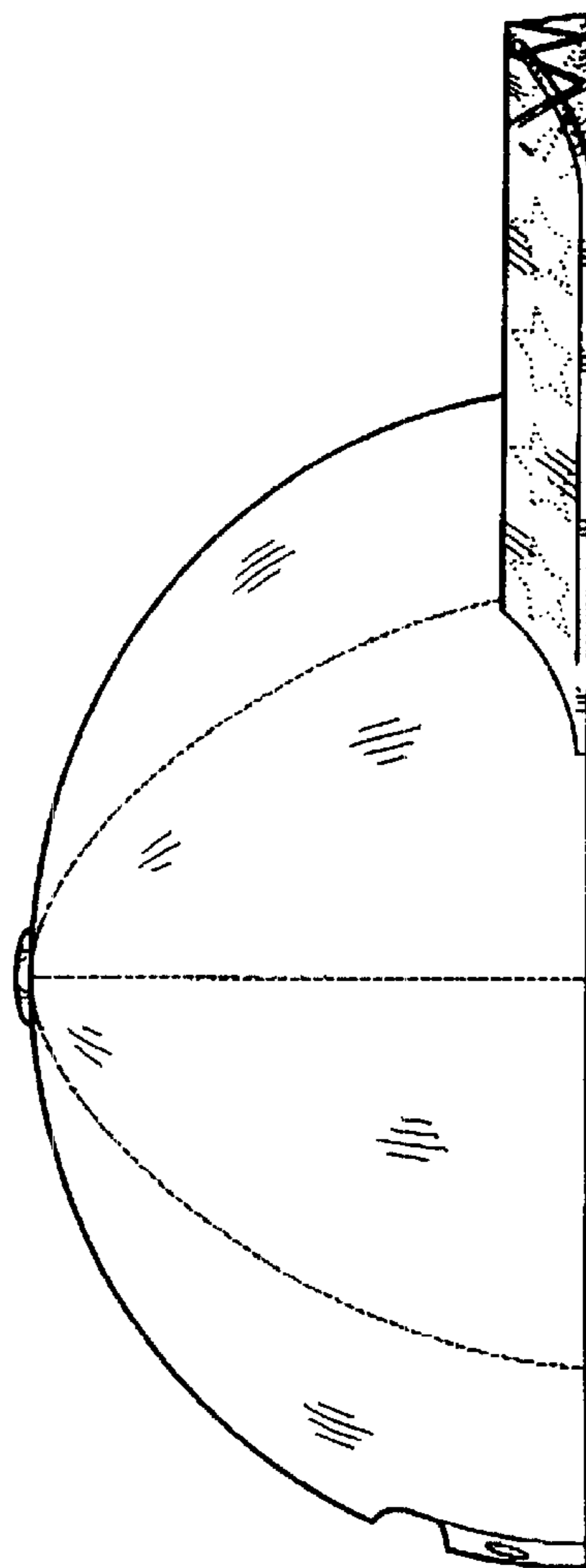


Figure 8