



US00D477452S

(12) **United States Design Patent**
Chia

(10) **Patent No.:** **US D477,452 S**

(45) **Date of Patent:** **** Jul. 15, 2003**

(54) **COIN SORTING BANK**

D453,407 S * 2/2002 Lim D99/34
D460,102 S * 7/2002 Perkitny D18/3.1

(76) Inventor: **Francis See Chong Chia**, 17 Kadoorie Ave, Kowloon, Hong Kong, Hong Kong (CN)

* cited by examiner

(**) Term: **14 Years**

Primary Examiner—Paula A. Mortimer
(74) *Attorney, Agent, or Firm*—Francis E. Marino

(21) Appl. No.: **29/171,986**

(57) **CLAIM**

(22) Filed: **Dec. 5, 2002**

The ornamental design for a coin sorting bank, as shown and described.

(51) **LOC (7) Cl.** **99-00**

DESCRIPTION

(52) **U.S. Cl.** **D99/34**

(58) **Field of Search** D99/34-37; D18/3.1, D18/4.1, 12.1; 232/4 R, 5, 3, 9-10, 12-13, 15; 446/8-13; D34/2; D27/105; D7/621; 4/258-259, 266-267, 273-274; 206/496

FIG. 1 is a top perspective view of a coin sorting bank showing my new design, the undisclosed bottom forms no part of the claimed design;

FIG. 2 is a front elevation view thereof;

FIG. 3 is a left side elevational view, the right side is a mirror image thereof;

FIG. 4 is a rear elevation view thereof;

FIG. 5; is a top plan view thereof; and,

FIG. 6 is a top plan view thereof with the top portion removed for clarity.

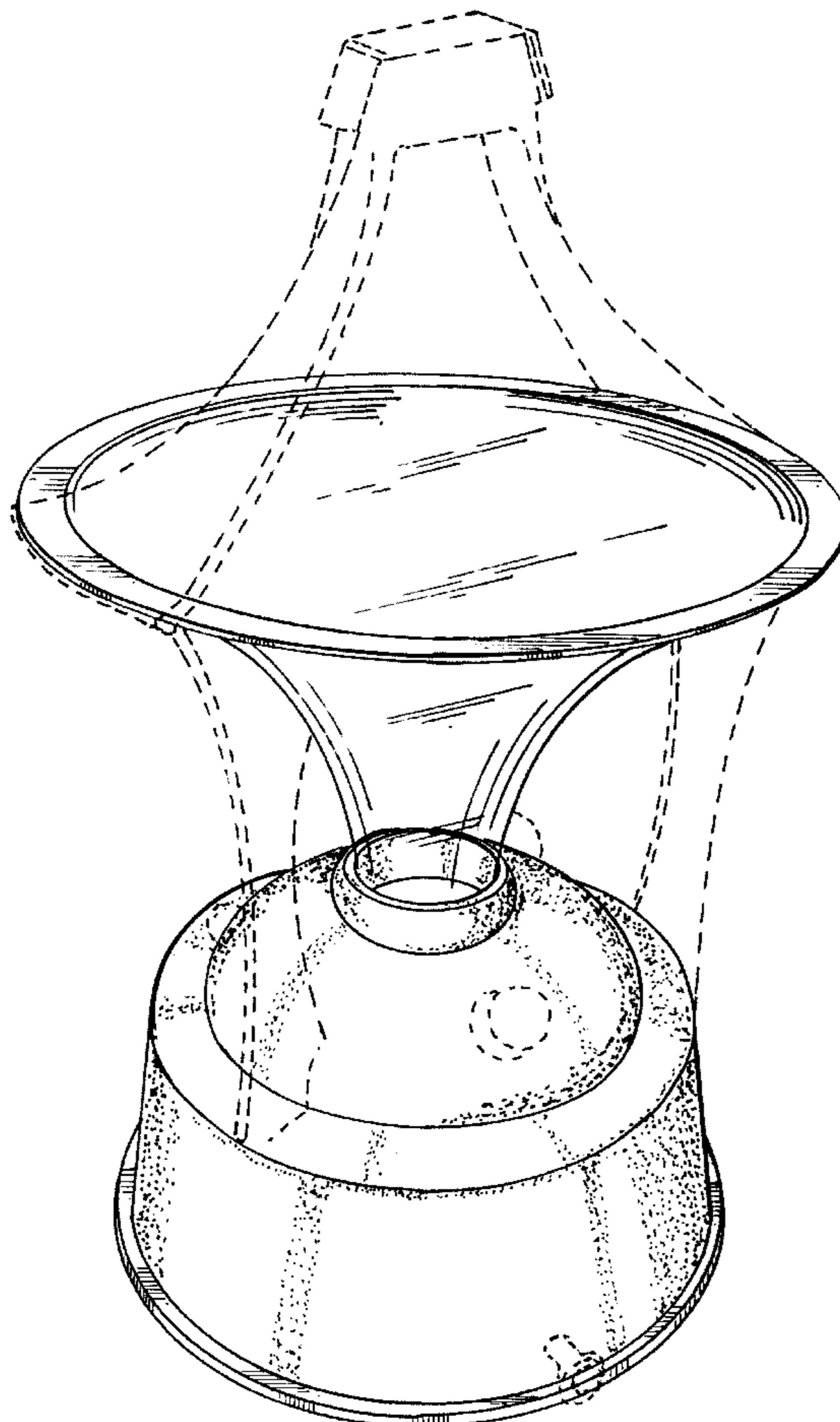
The broken line showing of the features in all views is for illustrative purposes only and forms no part of the claimed design.

(56) **References Cited**

U.S. PATENT DOCUMENTS

279,633 A	*	6/1883	Beucus	4/258
D289,218 S	*	4/1987	Divnick	D99/34
D307,503 S	*	4/1990	Divnick	D99/34
D320,299 S	*	9/1991	Beiter et al.	D99/34
D335,748 S	*	5/1993	Suzuki	D99/34
D393,530 S	*	4/1998	Perkitny	D99/34
D445,990 S	*	7/2001	Knox, Jr. et al.	D99/34

1 Claim, 3 Drawing Sheets



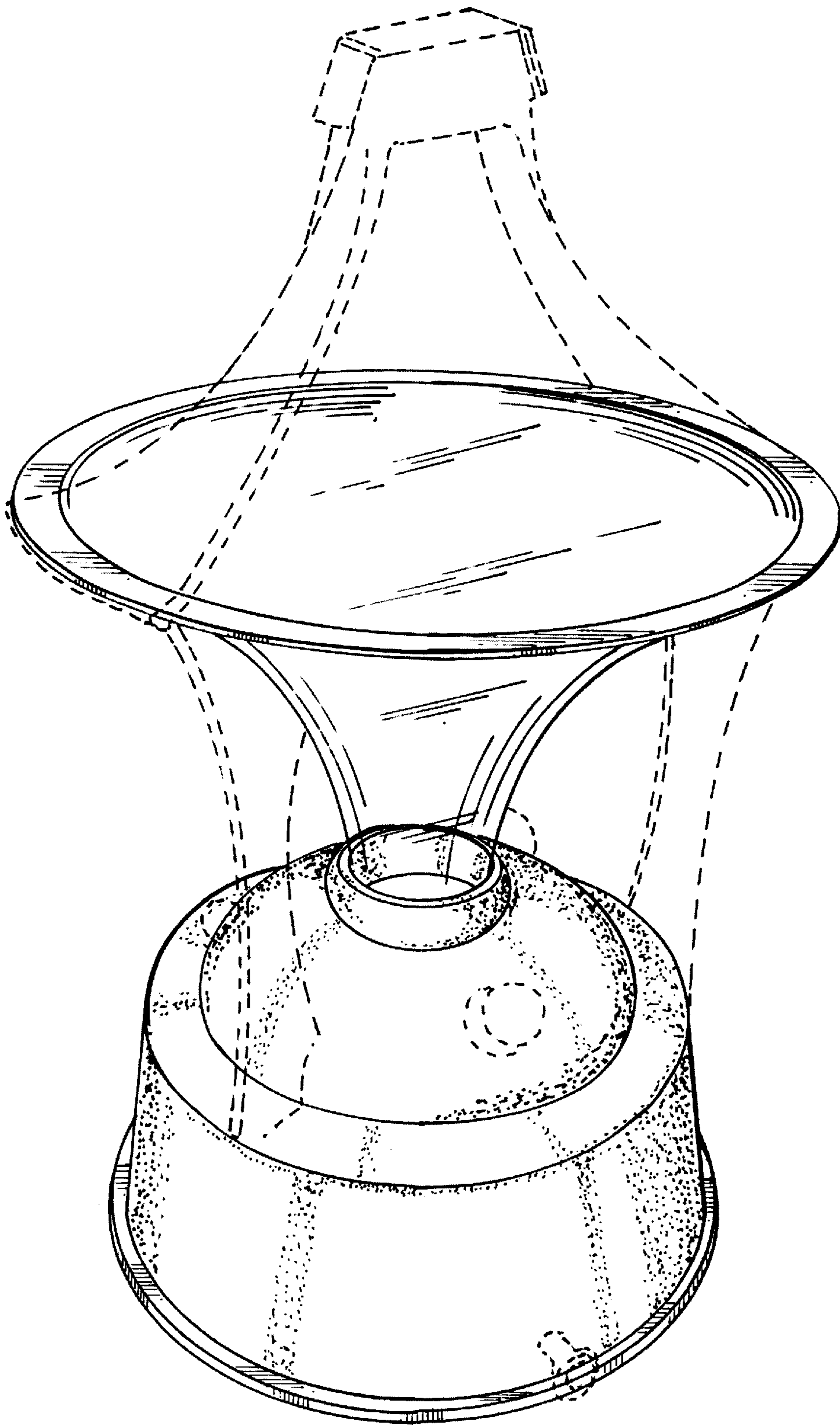


Fig. 1.

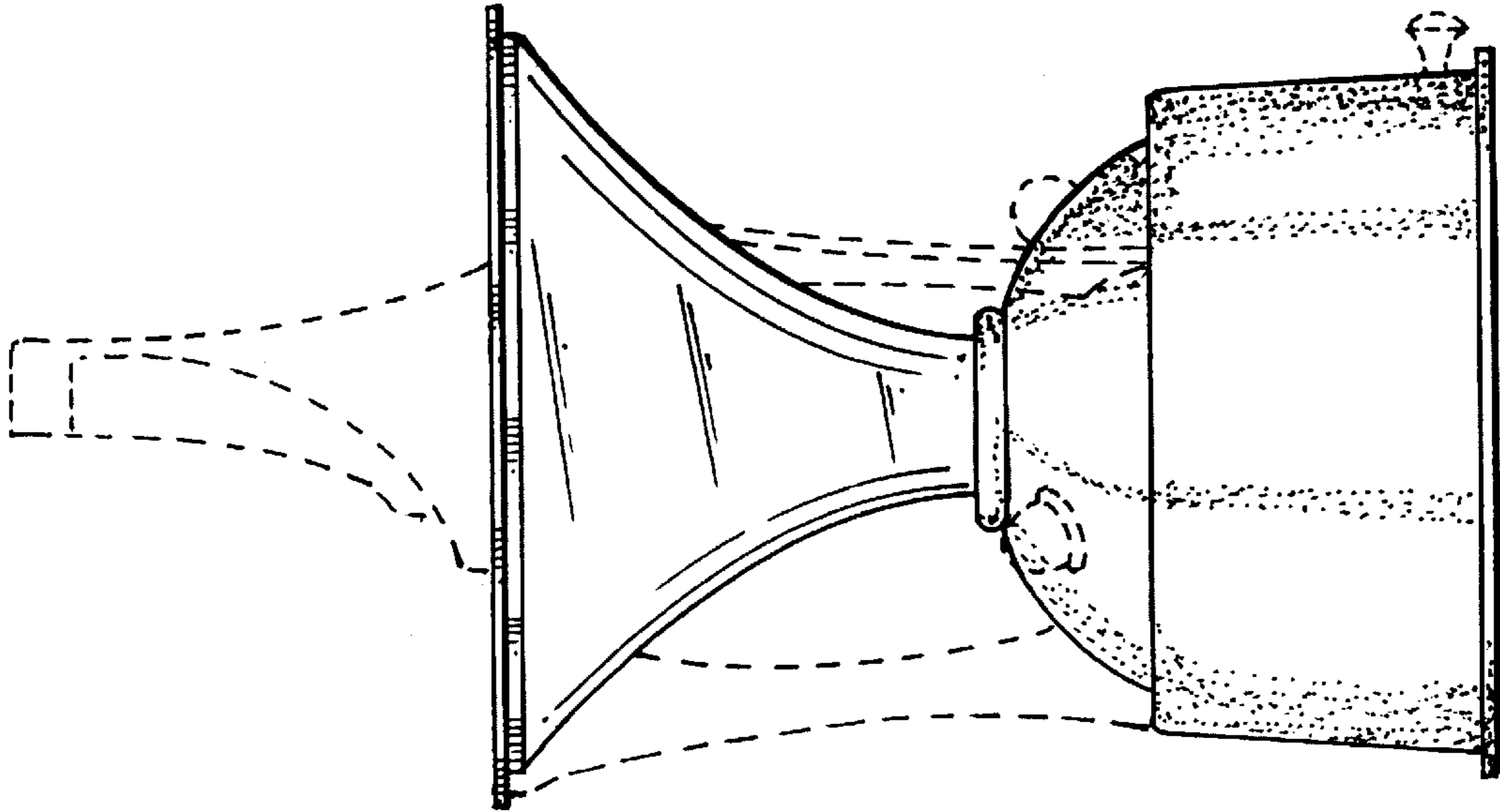


Fig. 3.

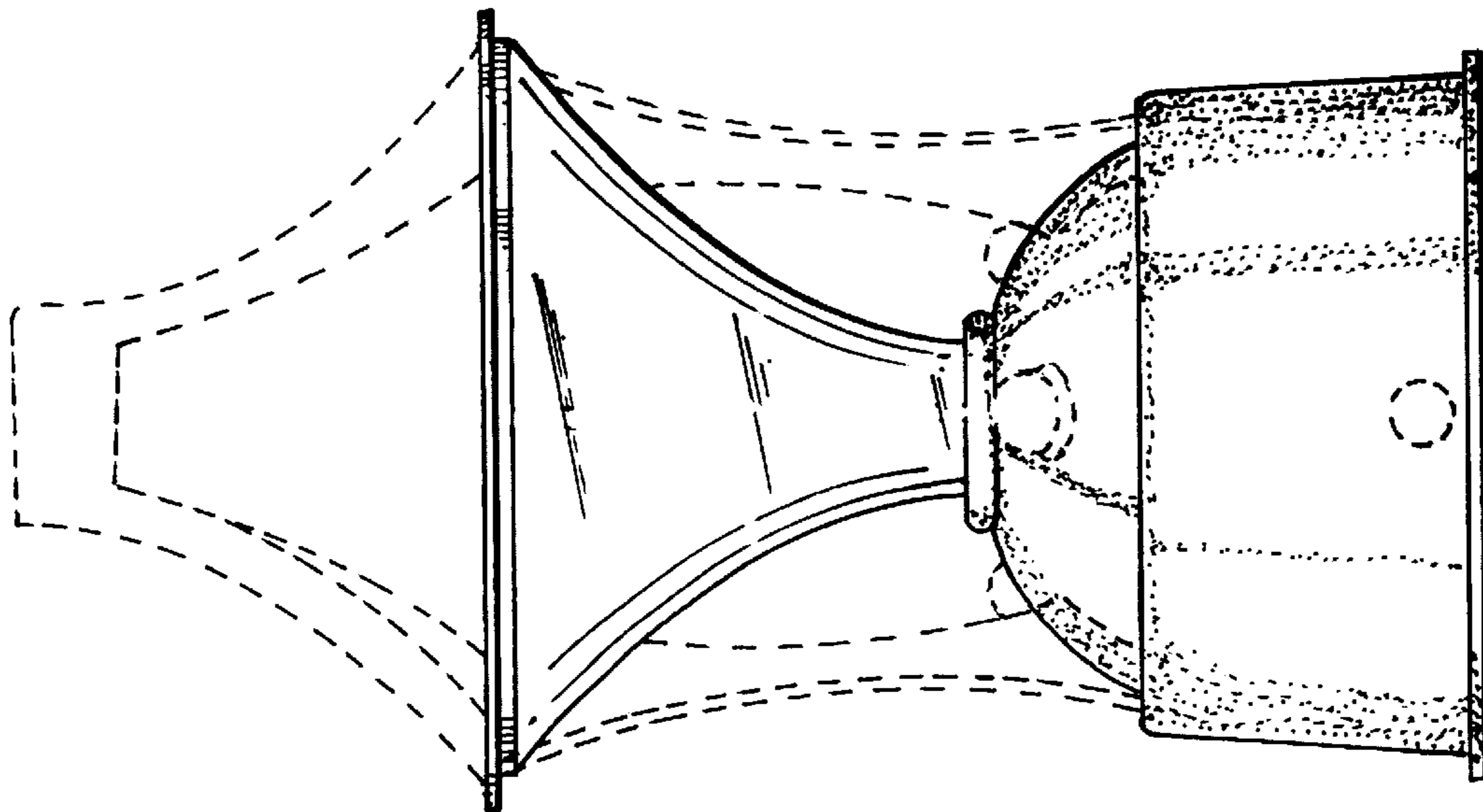


Fig. 2.

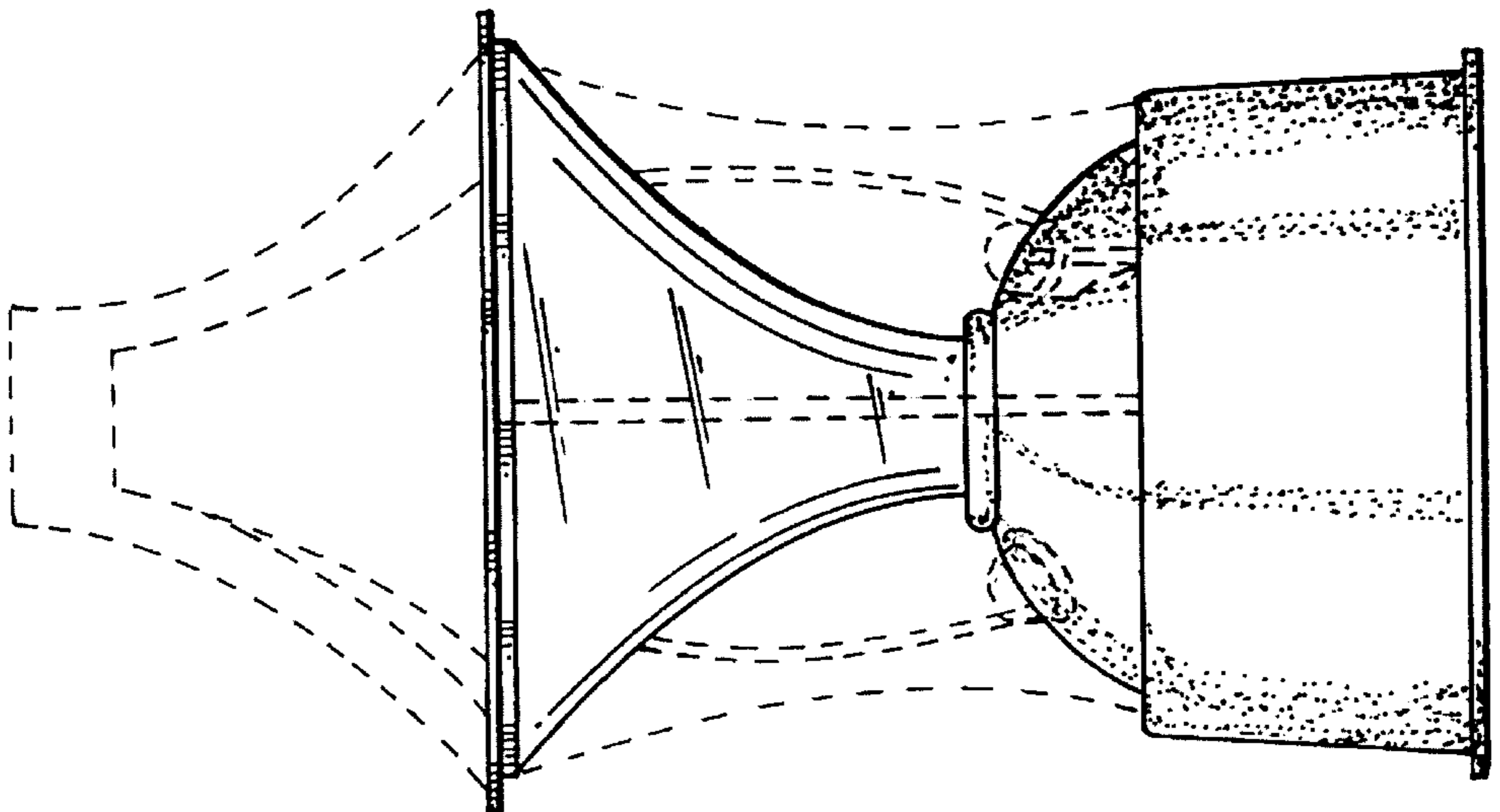


Fig. 4.

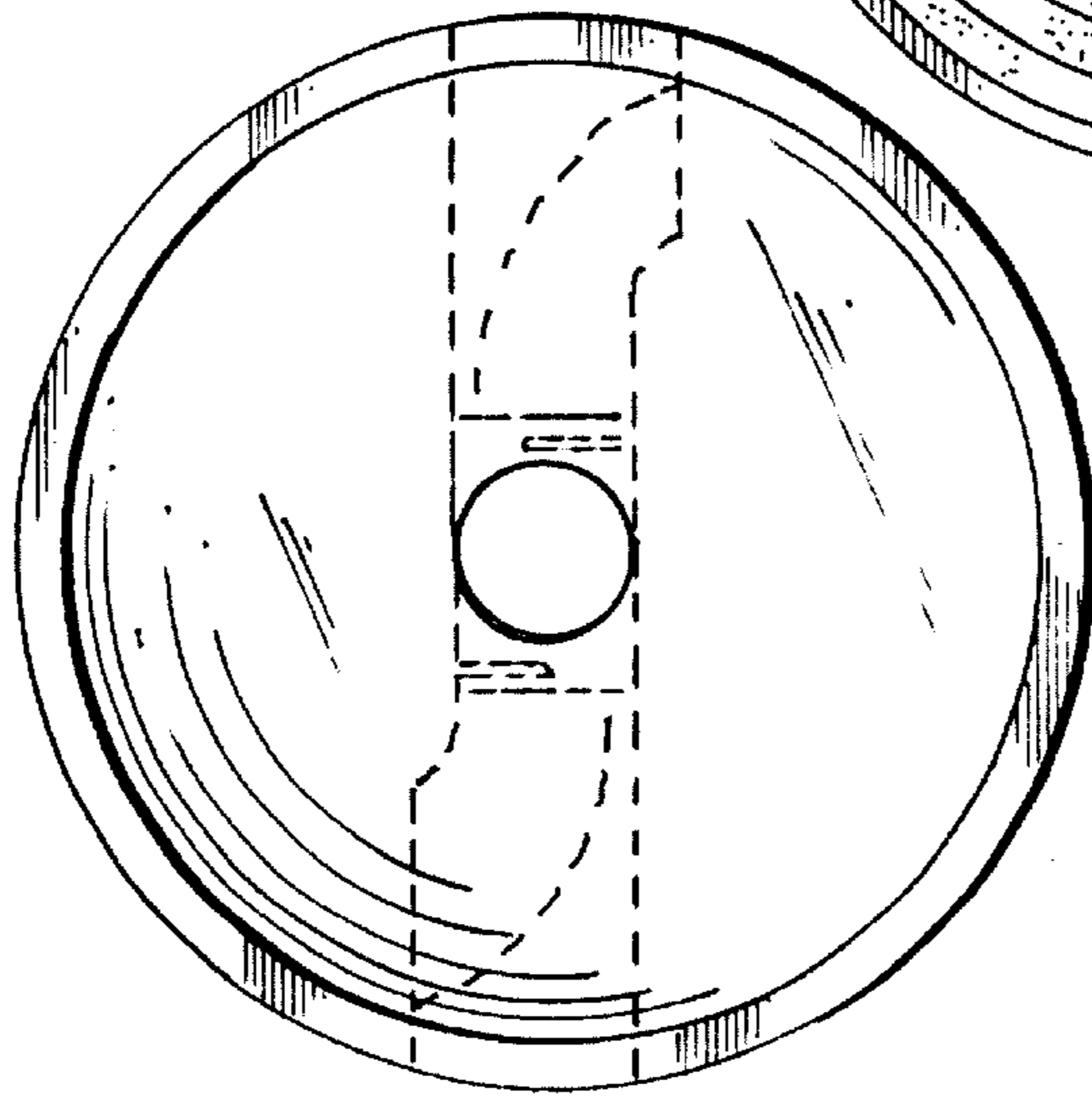


Fig. 5.

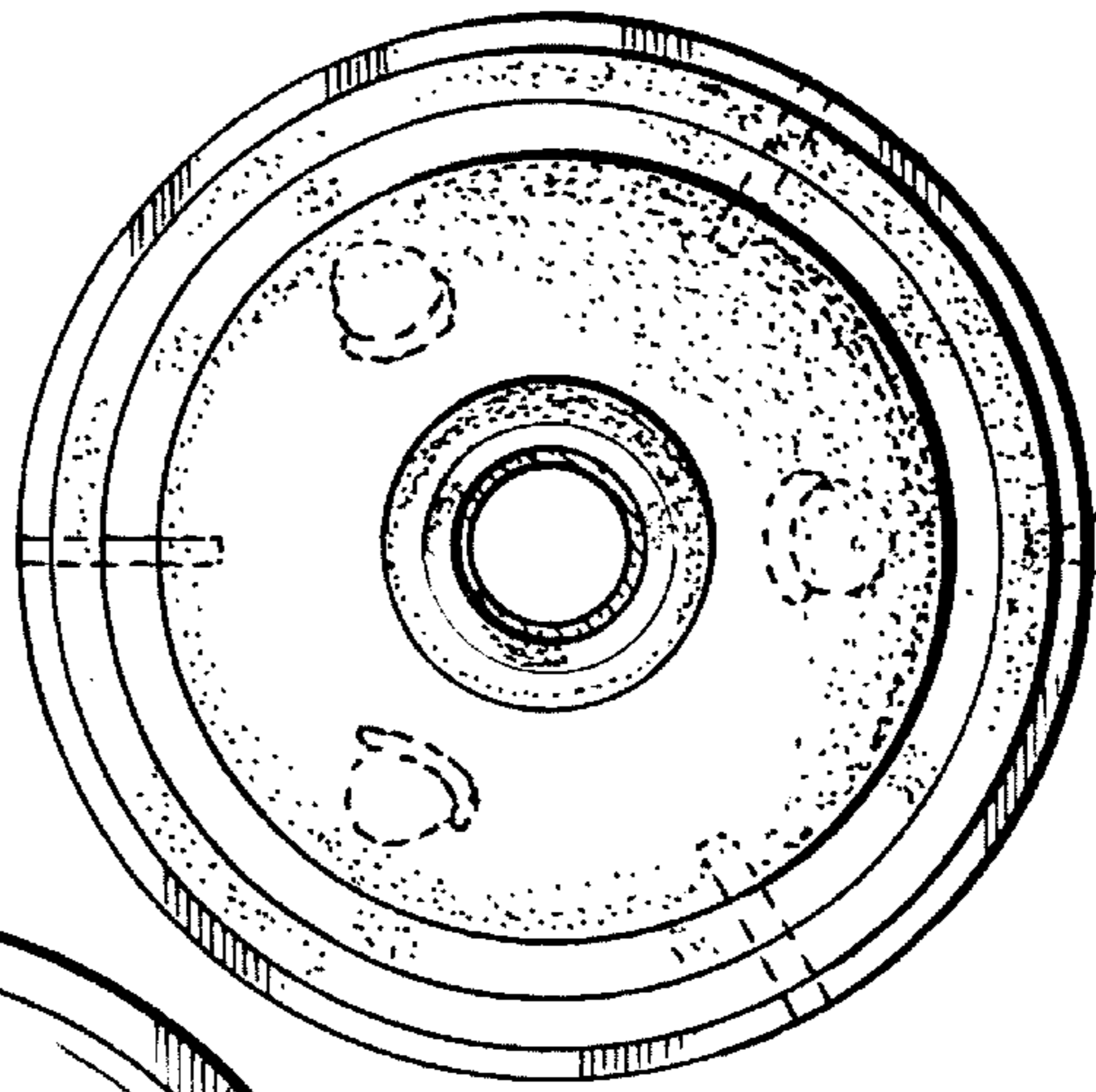


Fig. 6.