



US00D477448S

(12) **United States Design Patent**
Cuccaro

(10) **Patent No.:** **US D477,448 S**

(45) **Date of Patent:** **** Jul. 15, 2003**

(54) **GRAVE CADDY**

(76) Inventor: **Carl Cuccaro**, 61 Blackburn Ct., New Hartford, NY (US) 13413

(**) Term: **14 Years**

(21) Appl. No.: **29/063,506**

(22) Filed: **Dec. 9, 1996**

(51) **LOC (7) Cl.** **08-01**

(52) **U.S. Cl.** **D99/17; D8/1; D6/556**

(58) **Field of Search** **D99/17, 32; D8/1; D6/556; 232/38; 248/146; 52/103; 40/124.5**

(56) **References Cited**

U.S. PATENT DOCUMENTS

1,326,086	A	*	12/1919	Ormandy	248/146	X
1,400,970	A	*	12/1921	Norman	40/124.5	
1,471,364	A	*	10/1923	Schrock	232/38	
1,907,340	A	*	5/1933	Brady	40/124.5	X
1,924,149	A	*	8/1933	Britton	40/124.5	X
1,926,468	A	*	9/1933	Vogel Pohl	40/124.5	
2,536,341	A	*	1/1951	Asher	D8/1	X
2,809,468	A	*	10/1957	Eliot	D8/1	X

3,066,447 A * 12/1962 Reiterer et al. D8/1 X
4,334,661 A * 6/1982 Pitt 248/146

* cited by examiner

Primary Examiner—Paula A. Mortimer
(74) *Attorney, Agent, or Firm*—Harris Beach & Wilcox, LLP

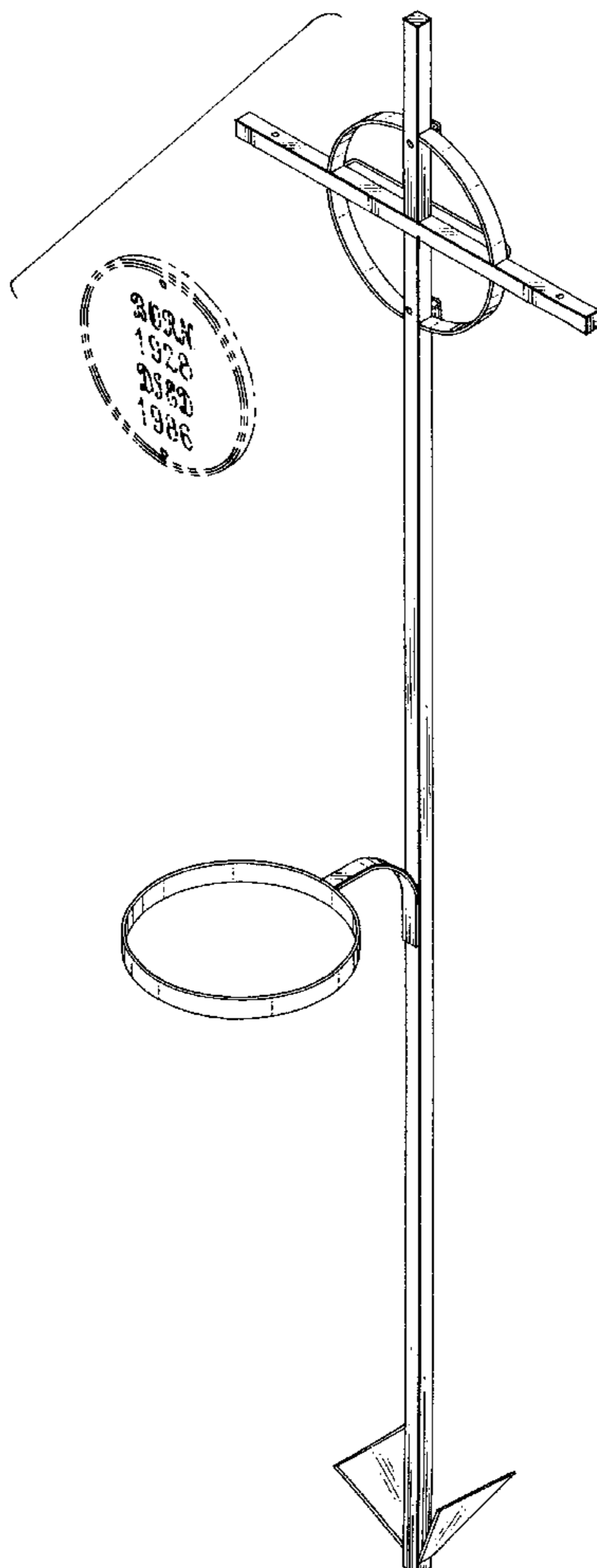
(57) **CLAIM**

The ornamental design for a grave caddy, as shown and described.

DESCRIPTION

FIG. 1 is a perspective view of a grave caddy showing my new design;
FIG. 2 is a front view thereof;
FIG. 3 is a right side elevational view thereof, the left side being a mirror image thereof;
FIG. 4 is a top view thereof;
FIG. 5 is a bottom view thereof; and,
FIG. 6 is a rear view thereof.
The broken line showing of the marker is for illustrative purposes only and forms no part of the claimed design.

1 Claim, 3 Drawing Sheets



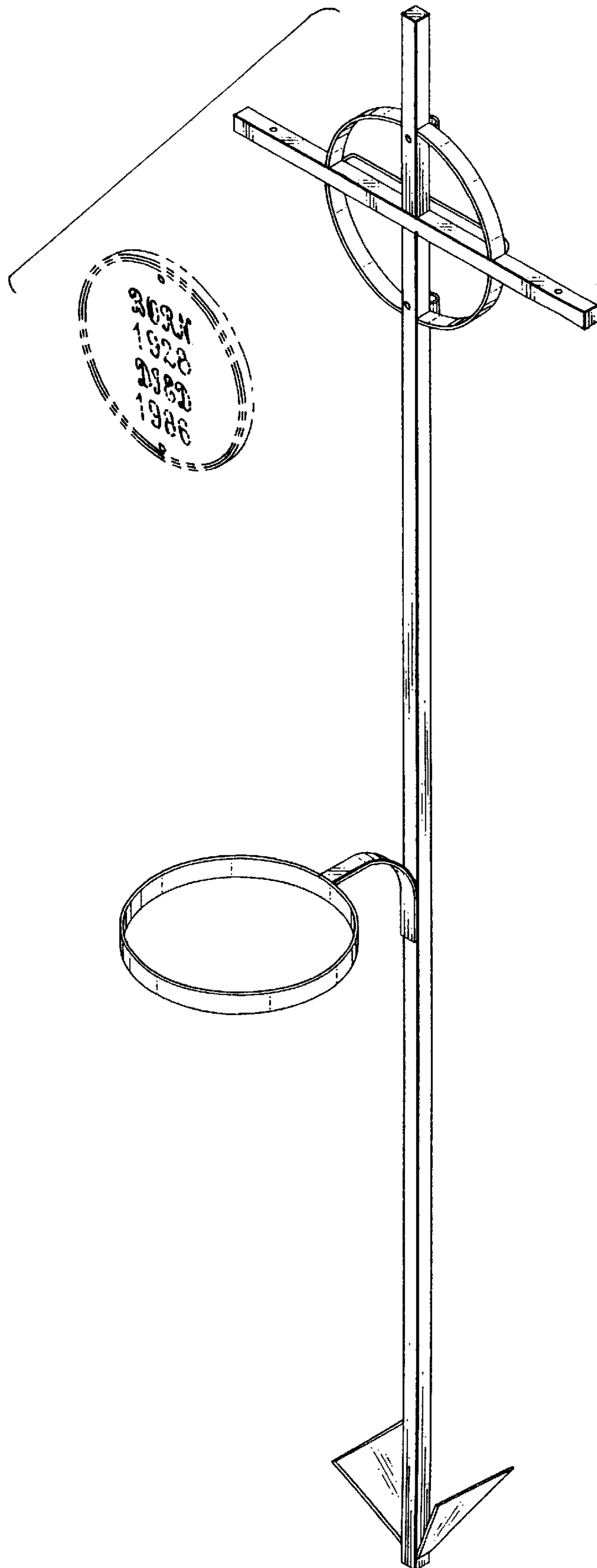


FIG. 1

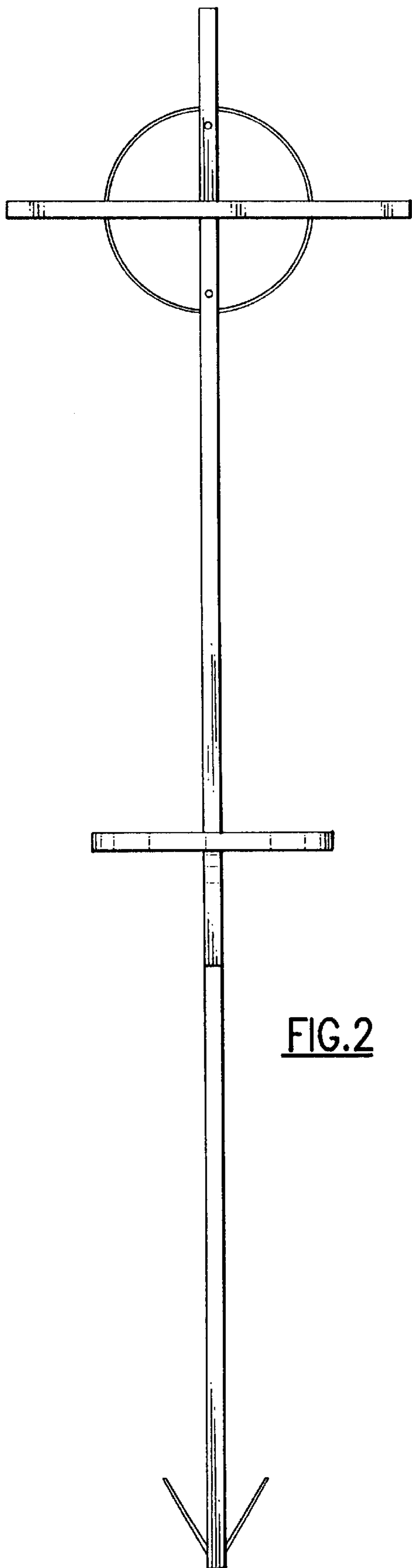


FIG. 2

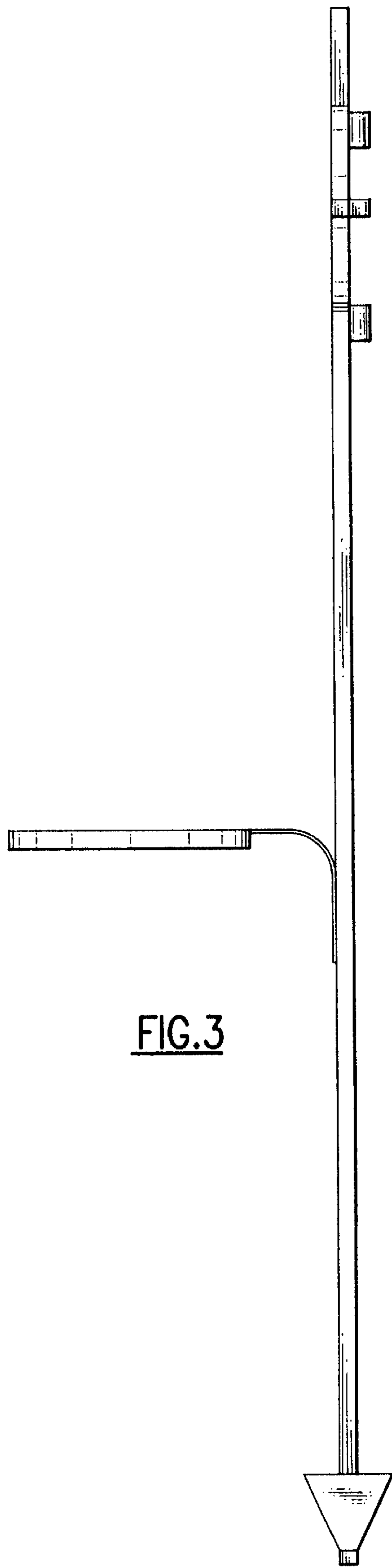


FIG. 3

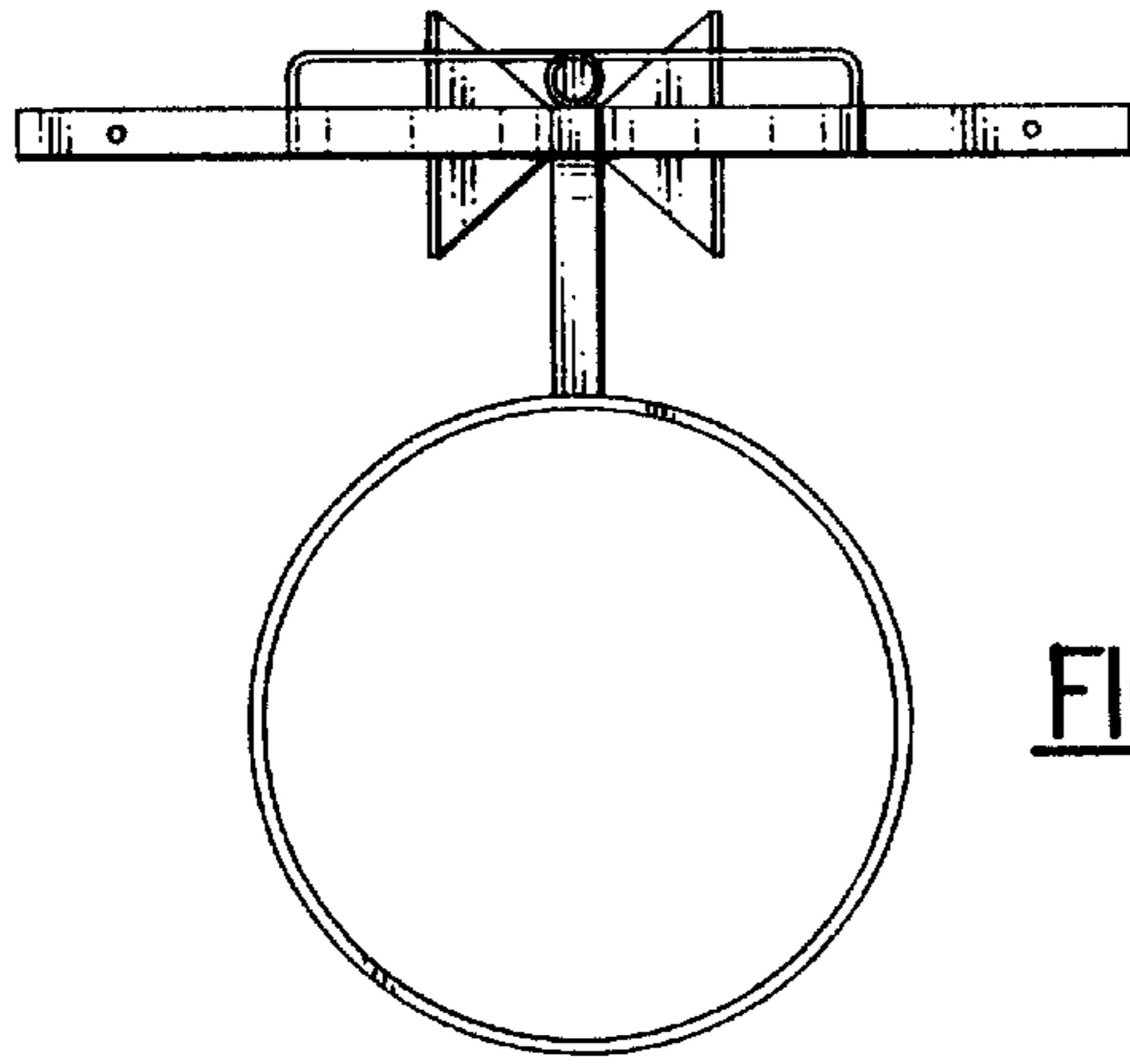


FIG. 4

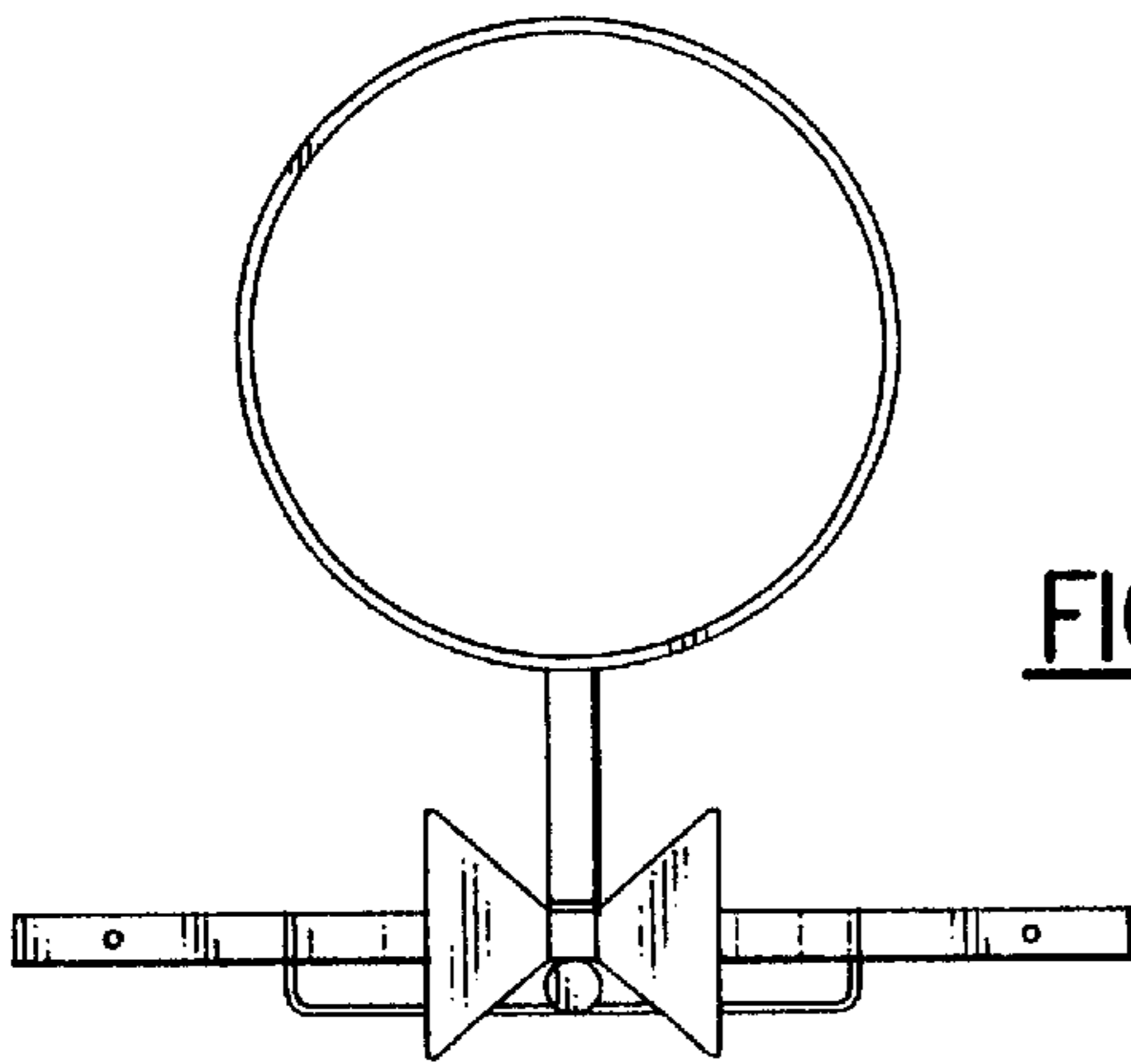


FIG. 5

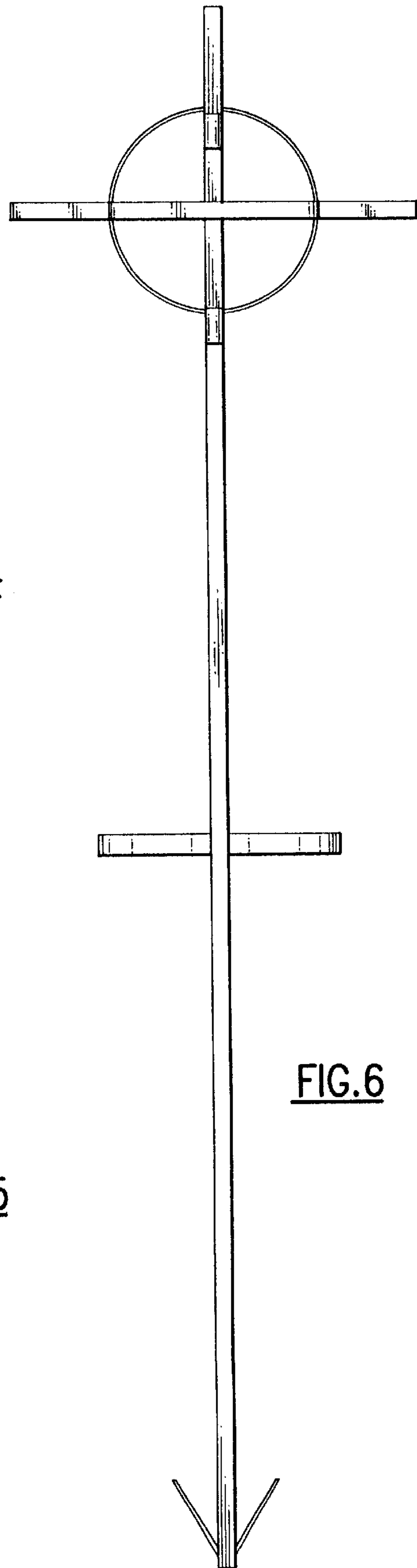


FIG. 6