



US00D477447S

(12) **United States Design Patent**
Calaicone

(10) **Patent No.:** **US D477,447 S**

(45) **Date of Patent:** **** Jul. 15, 2003**

(54) **BUCKET**

FOREIGN PATENT DOCUMENTS

(76) **Inventor:** **Frederick J. Calaicone**, 1830 Big Haynes Ct., Grayson, GA (US) 30017

GB 2137480 * 10/1984 A47J/47/18

* cited by examiner

(**) **Term:** **14 Years**

Primary Examiner—Alan P. Douglas

Assistant Examiner—Lavone D. Tabor

(21) **Appl. No.:** **29/172,406**

(74) *Attorney, Agent, or Firm*—Hinkle & O’Bradovich, LLC

(22) **Filed:** **Dec. 11, 2002**

(57) **CLAIM**

(51) **LOC (7) Cl.** **07-07**

The ornamental design for a bucket, as shown and described.

(52) **U.S. Cl.** **D32/53**

DESCRIPTION

(58) **Field of Search** D32/53, 53.1, D32/54; 15/264; 220/500, 501, 505, 604, 608, 674, 675, 735, 736, 760, 773, 776, 904, 915.1, DIG. 12, DIG. 13, DIG. 14; 206/505, 506, 515, 518

FIG. 1 is a perspective view of a bucket showing my new design;

FIG. 2 is a top plan view thereof;

FIG. 3 is a bottom plan view thereof;

FIG. 4 is a front elevation view thereof;

FIG. 5 is a rear elevational view thereof;

FIG. 6 is a left side elevation view thereof; and,

FIG. 7 is a right side elevation view thereof.

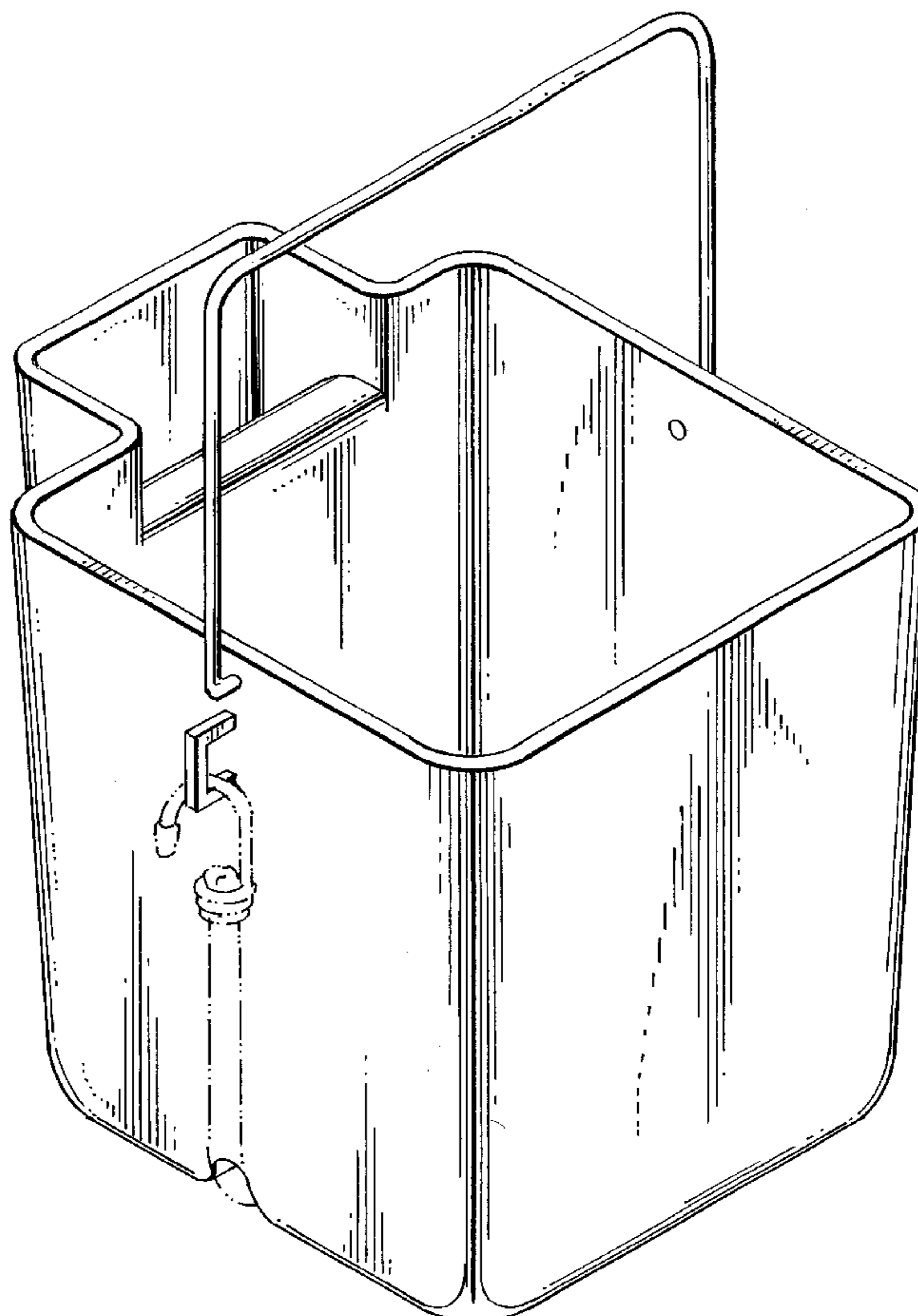
The broken line showing of an elastic cord in FIGS. 1 and 6 are for illustrative environmental purposes only and forms no part of the claimed design.

(56) **References Cited**

U.S. PATENT DOCUMENTS

1,196,492	A	*	8/1916	Sykes	220/760
1,576,147	A	*	3/1926	Shell	220/904 X
D216,277	S	*	12/1969	James	D32/53
3,734,336	A	*	5/1973	Rankow et al.	220/915.1 X
4,756,439	A	*	7/1988	Perock	15/264 X
D389,626	S	*	1/1998	Lundy	D32/53

1 Claim, 4 Drawing Sheets



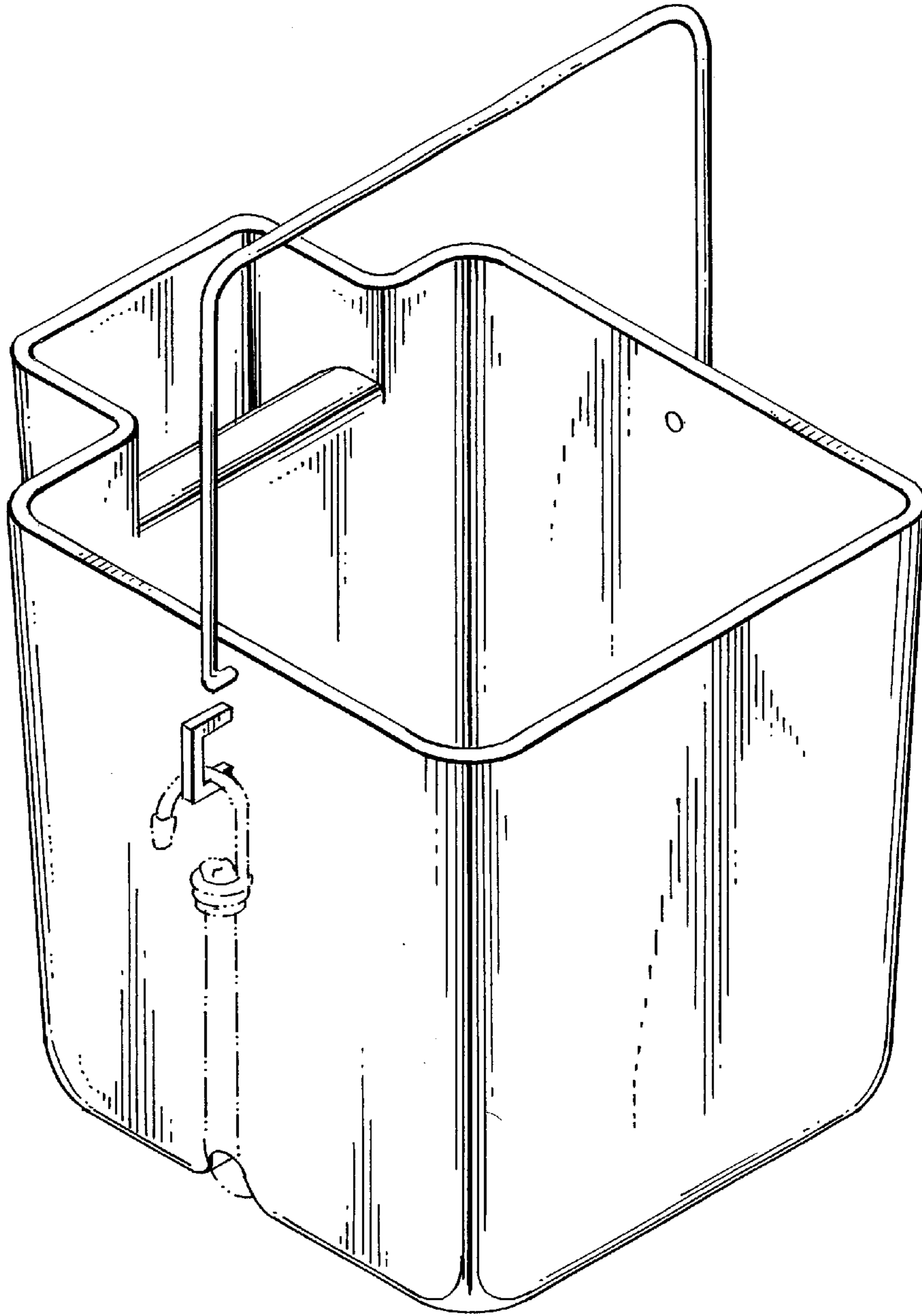


Fig. 1

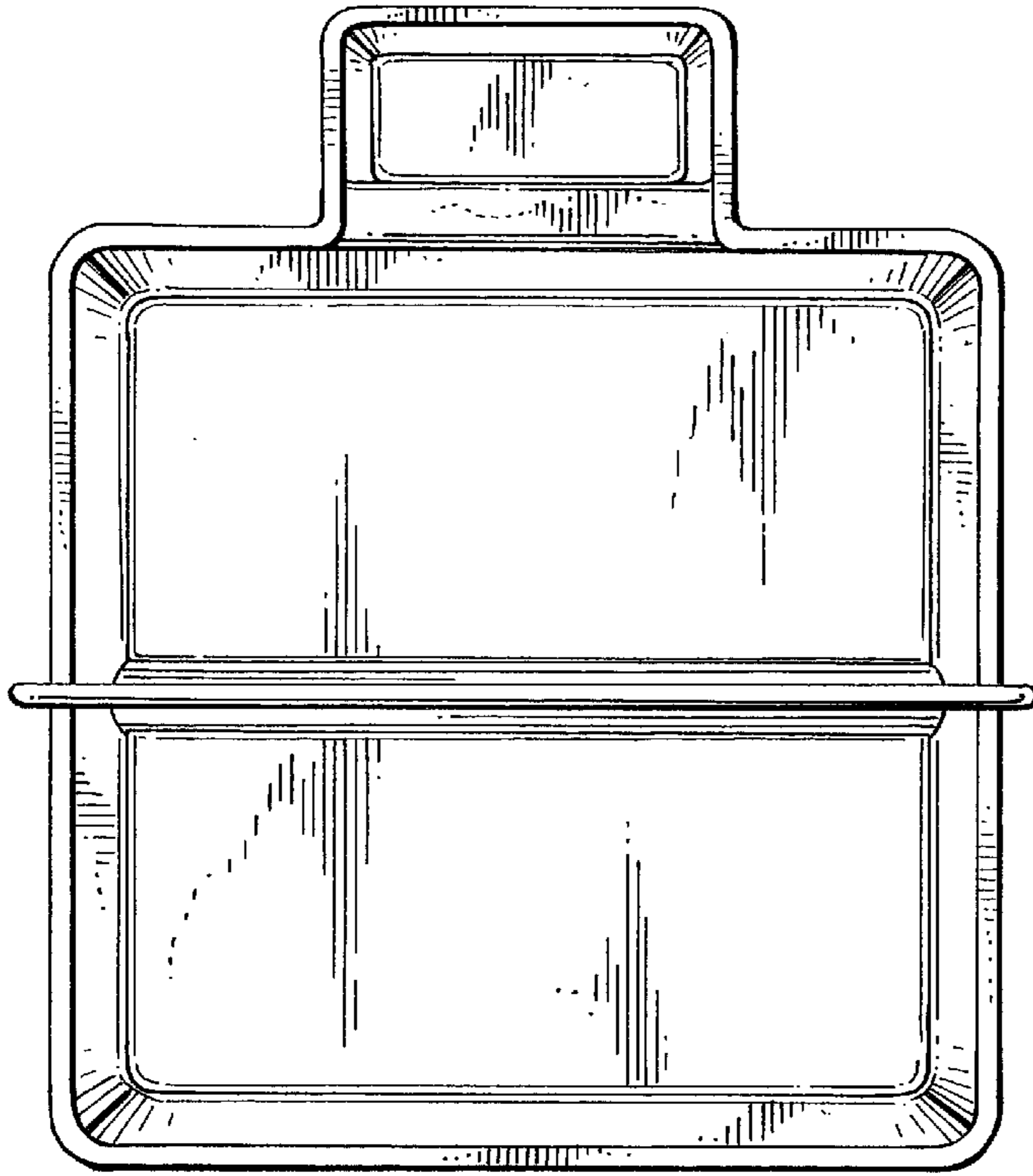


Fig. 2

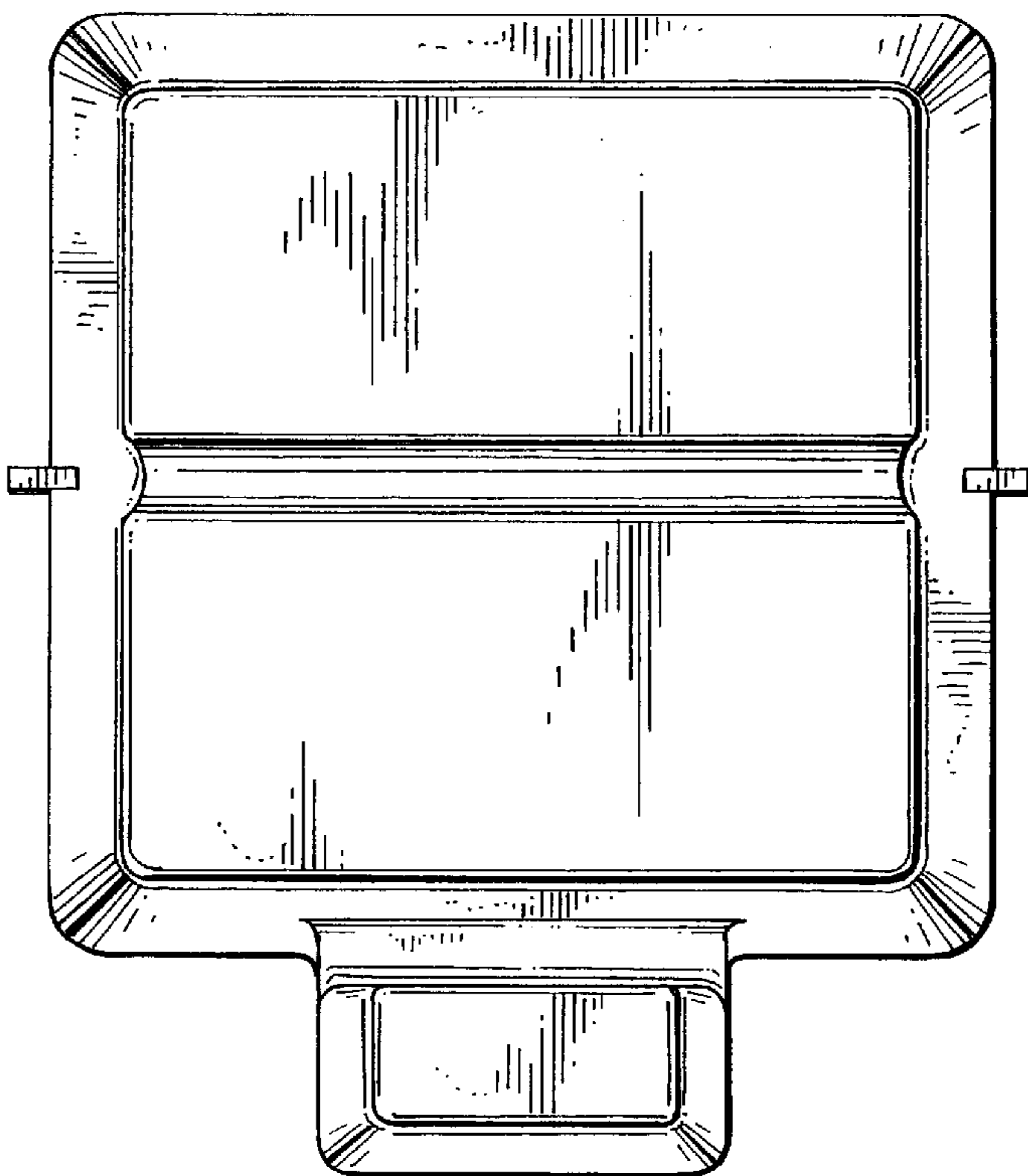


Fig. 3

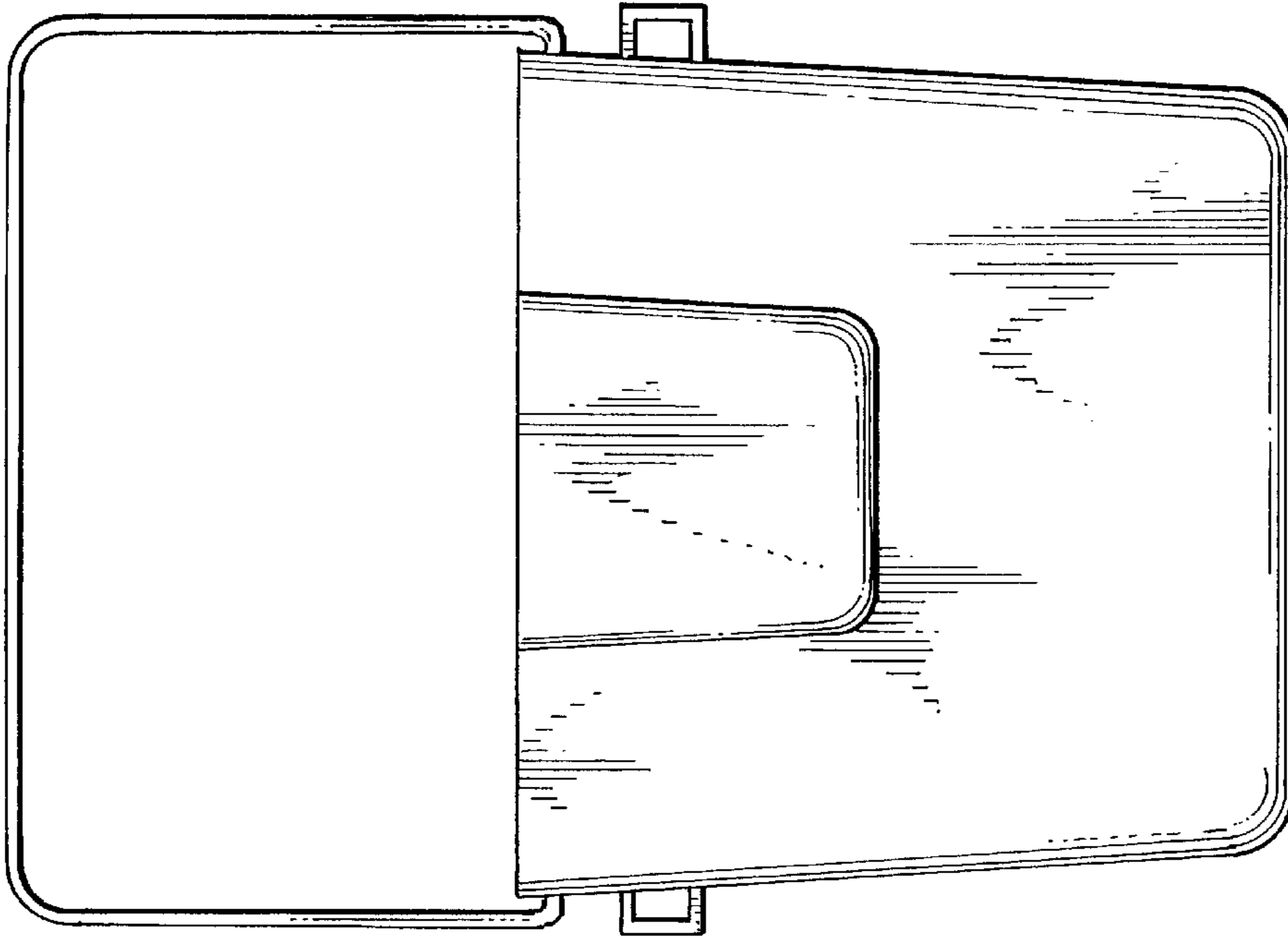


Fig. 5

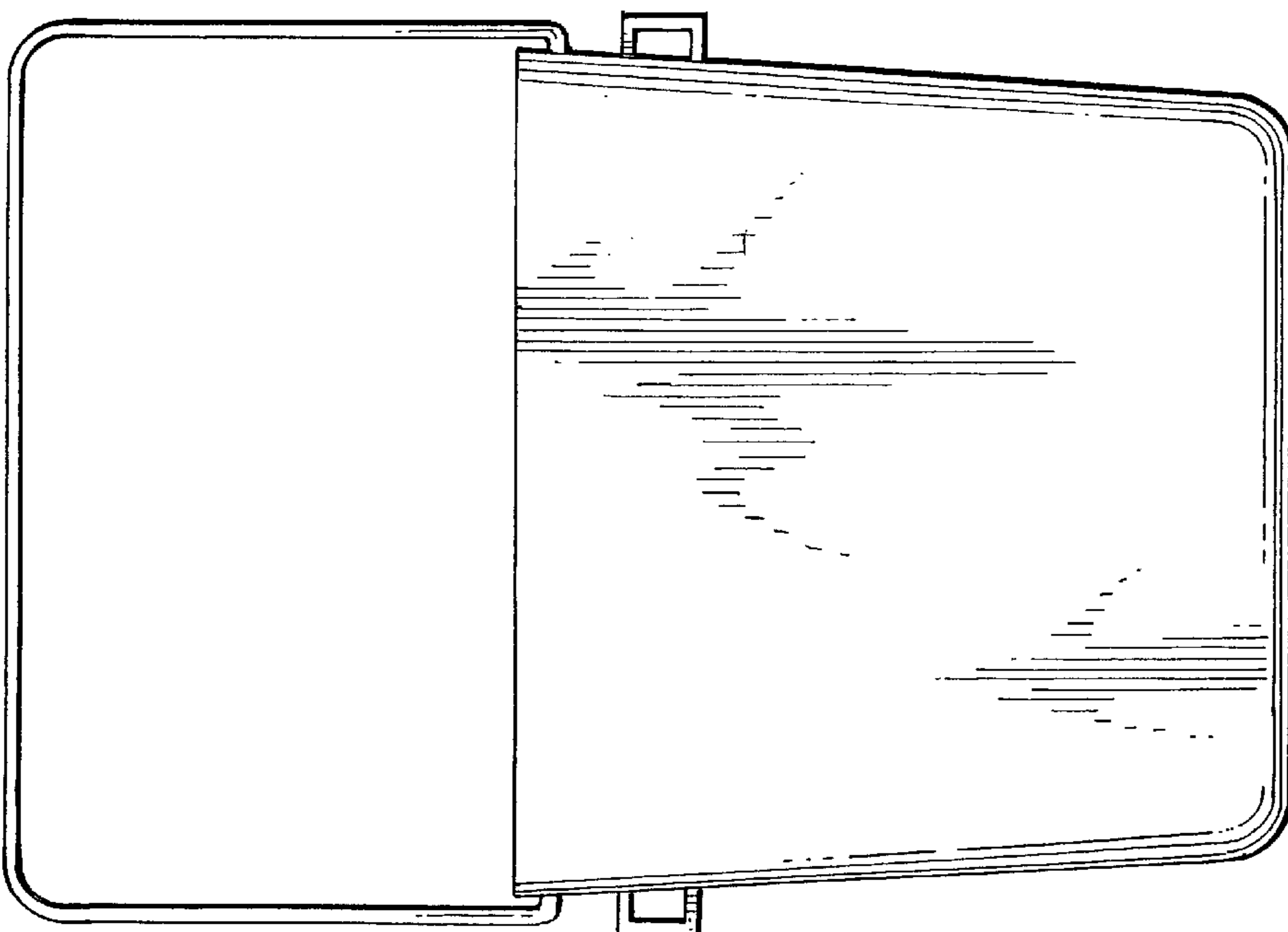


Fig. 4

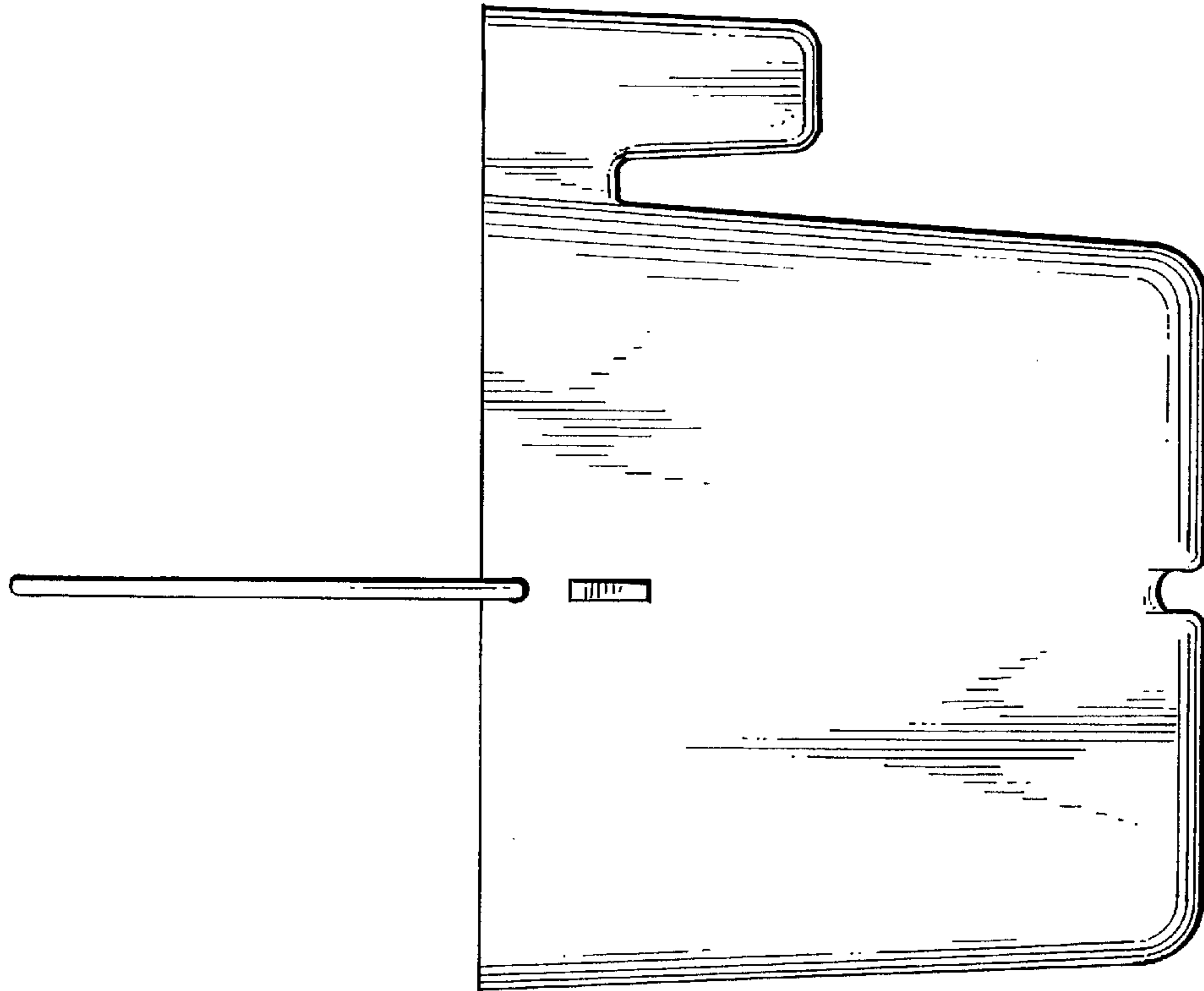


Fig. 7

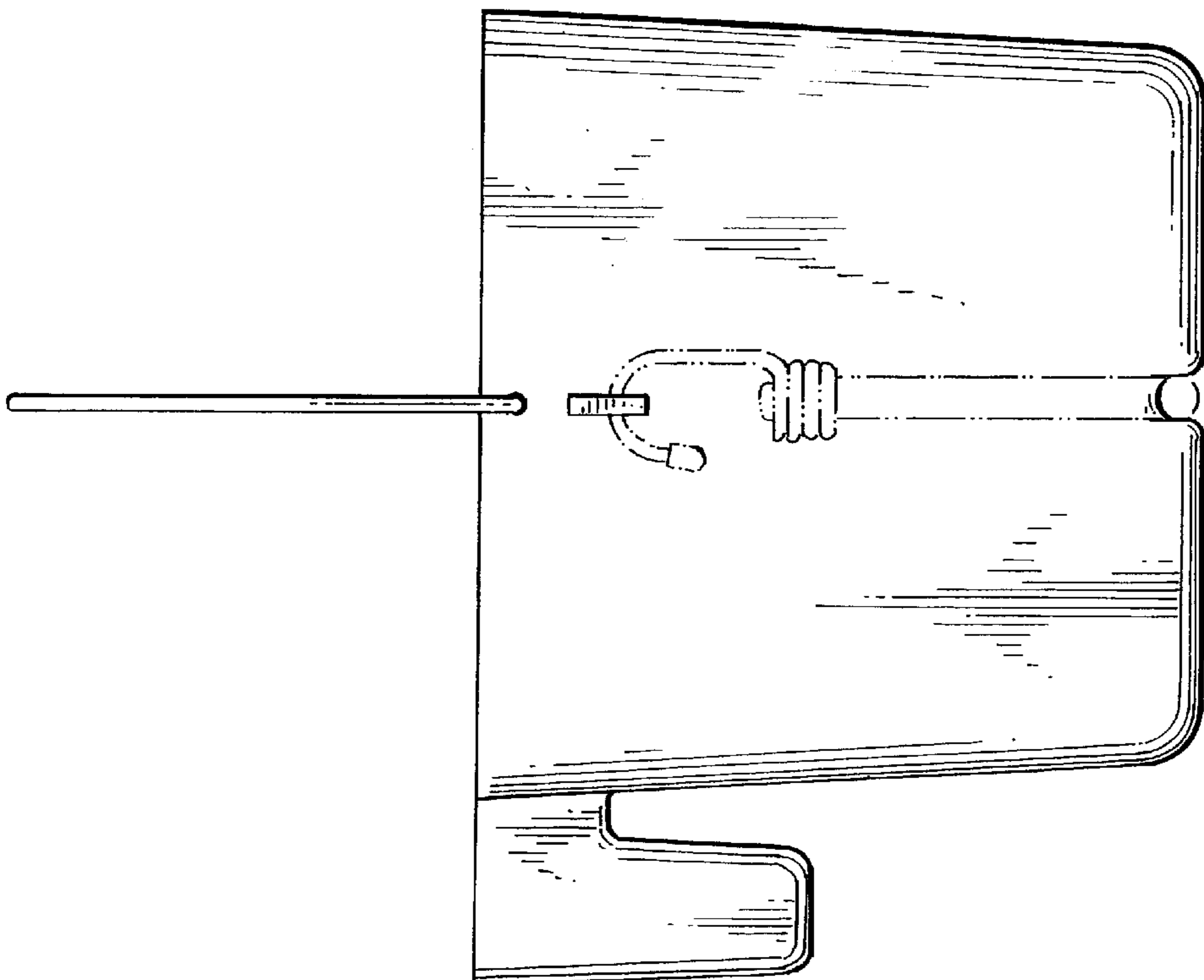


Fig. 6