



US00D477446S

(12) **United States Design Patent**  
**Kalman et al.**

(10) **Patent No.:** **US D477,446 S**

(45) **Date of Patent:** **\*\* Jul. 15, 2003**

(54) **NOZZLE FOR VACUUM CLEANER**  
(75) Inventors: **Jeffrey M. Kalman**, Cleveland Heights, OH (US); **David J. Boll**, Avon, OH (US); **Nicholas E. Stanca**, Westlake, OH (US)

(73) Assignee: **Royal Appliance Mfg. Co.**, Glenwillow, OH (US)

(\*\*) Term: **14 Years**

(21) Appl. No.: **29/153,713**

(22) Filed: **Jan. 11, 2002**

(51) **LOC (7) Cl.** ..... **15-05**

(52) **U.S. Cl.** ..... **D32/32**

(58) **Field of Search** ..... D32/21-22, 31-34, D32/25; 15/350, 320, 322, 415.1-422.1, 410, 383, 329

(56) **References Cited**

**U.S. PATENT DOCUMENTS**

D189,778 S	*	2/1961	Guild et al.	.....	D32/32
D261,268 S	*	10/1981	Rutter	.....	D32/32
D328,165 S		7/1992	Ferrari et al.		
D331,991 S		12/1992	Wright et al.		
D335,941 S		5/1993	Wright et al.		
D381,144 S		7/1997	Moine et al.		
D382,681 S		8/1997	Thomas		
5,903,955 A		5/1999	Farone et al.		
D427,398 S	*	6/2000	Worwag	.....	D32/32
D427,399 S		6/2000	Thur et al.		
D427,737 S	*	7/2000	Dyson et al.	.....	D32/32
D439,383 S		3/2001	Salo et al.		
D456,967 S	*	5/2002	Santiago	.....	D32/32

D457,696 S	*	5/2002	Worwag	.....	D32/32
D460,231 S	*	7/2002	Bagwell et al.	.....	D32/32
D462,816 S		9/2002	Rosa et al.		

**FOREIGN PATENT DOCUMENTS**

WO WO 02/11595 A1 2/2002  
WO WO 02/11596 A1 2/2002

\* cited by examiner

*Primary Examiner*—Ruth McInroy

(74) *Attorney, Agent, or Firm*—Fay, Sharpe, Fagan, Minnich & McKee, LLP

(57) **CLAIM**

The ornamental design for a nozzle for vacuum cleaner, as shown and described.

**DESCRIPTION**

FIG. 1 is a perspective view of a nozzle for a vacuum cleaner showing our new design, the stick-type vacuum cleaner shown in broken lines is for illustrative purposes only, and forms no part of the claimed design;

FIG. 2 is an enlarged perspective view of the nozzle alone;

FIG. 3 is a top plan view thereof;

FIG. 4 is a right side elevational view thereof;

FIG. 5 is a left side elevational view thereof;

FIG. 6 is a bottom plan view thereof;

FIG. 7 is a front elevational view thereof;

FIG. 8 is a rear elevational view thereof; and,

FIG. 9 is a perspective view thereof, with the nozzle in a retracted position, the details shown in broken lines are for illustrative purposes only and form no part of the claimed design.

**1 Claim, 6 Drawing Sheets**

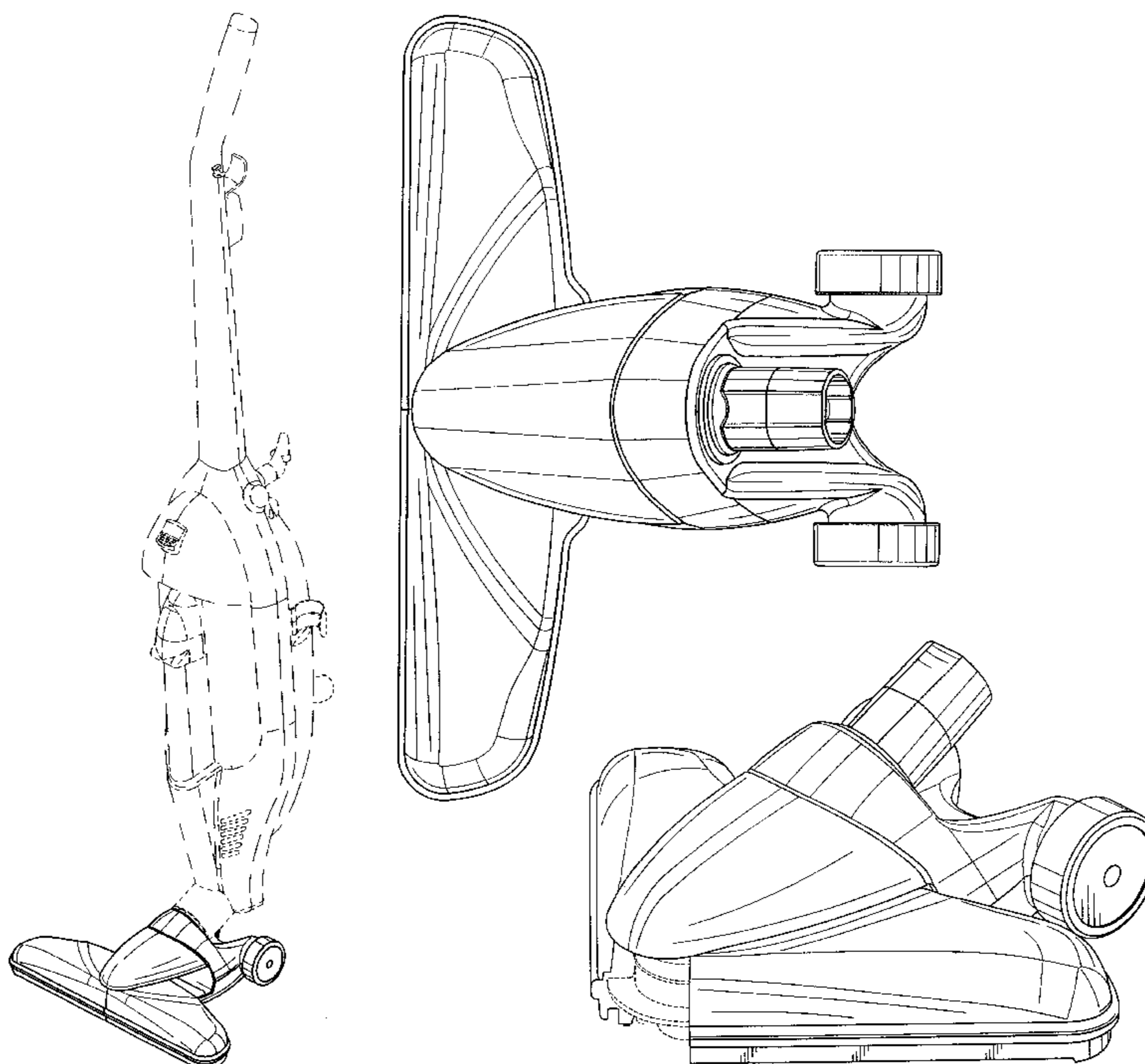
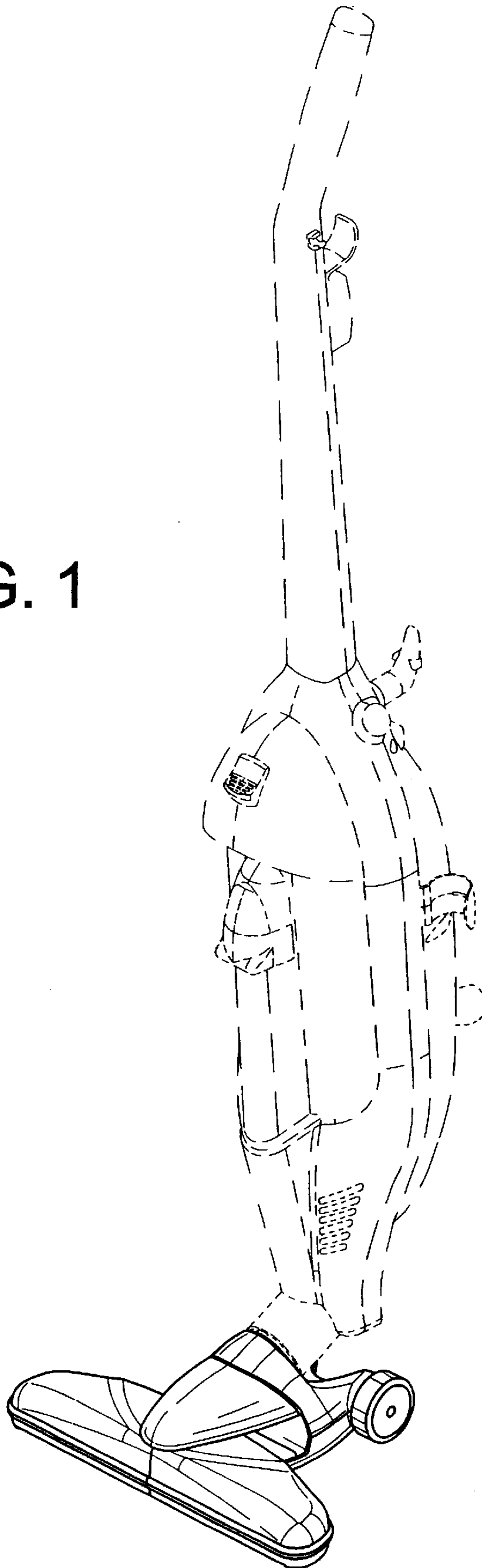


FIG. 1



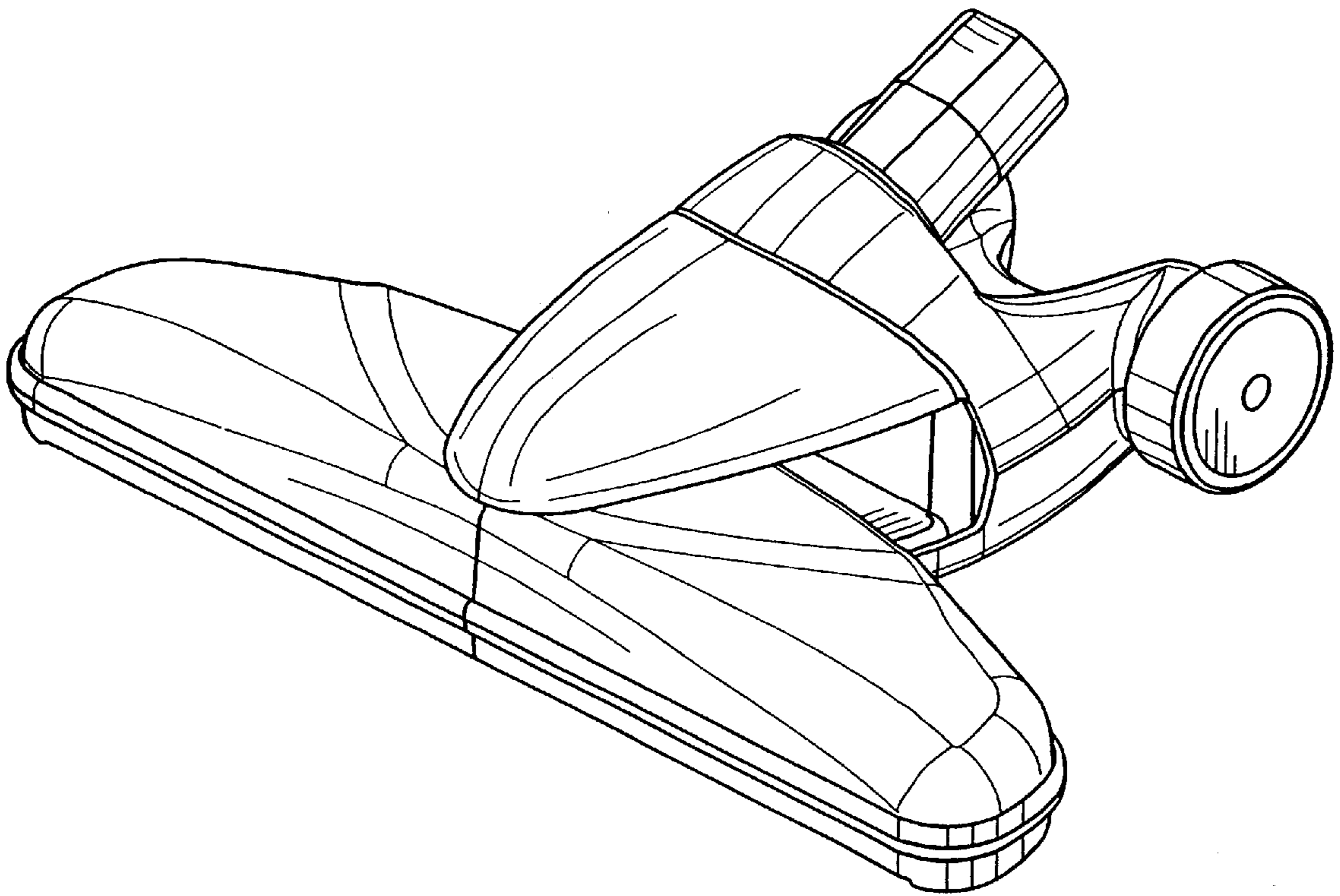


FIG. 2

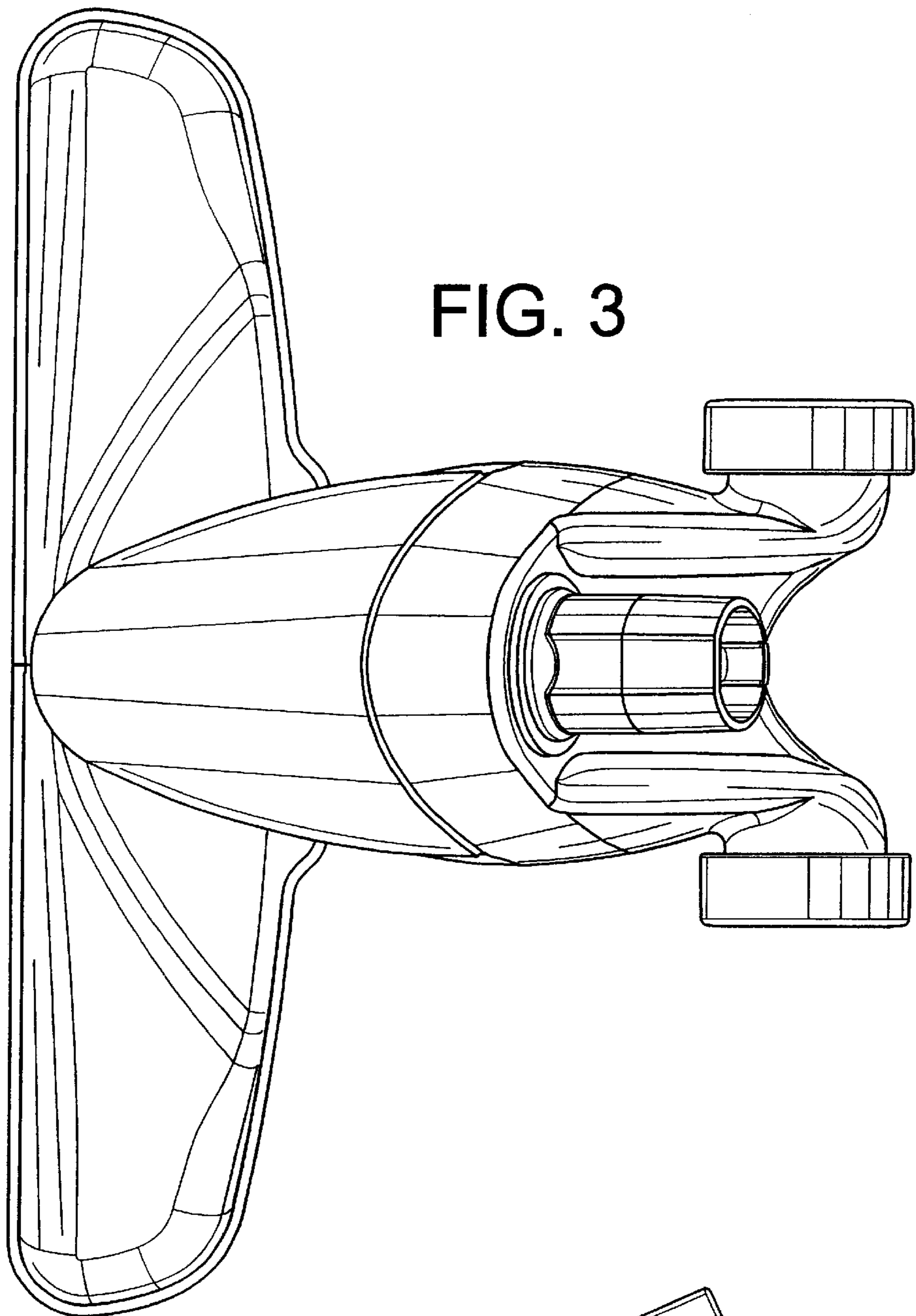


FIG. 3

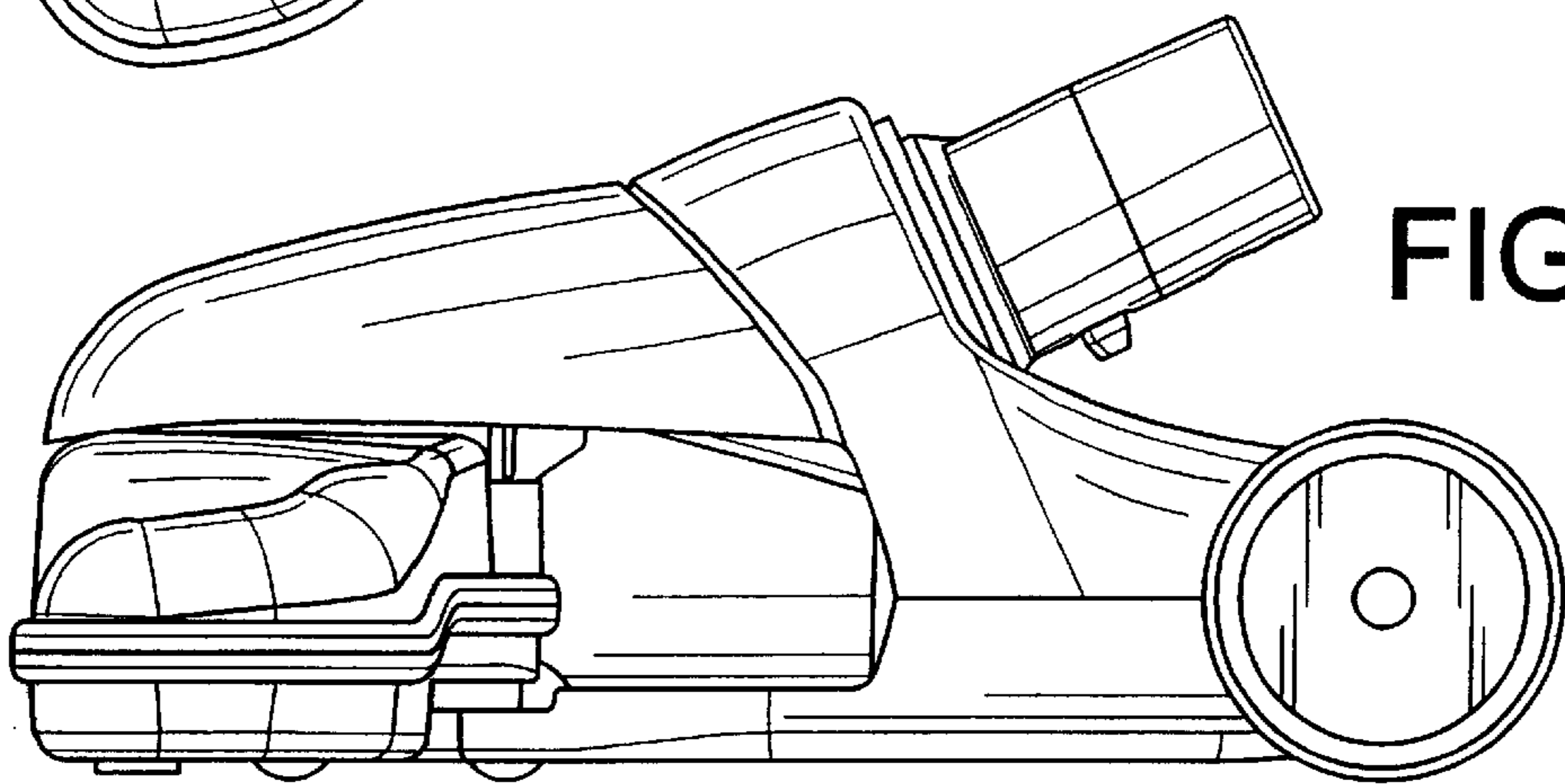


FIG. 4

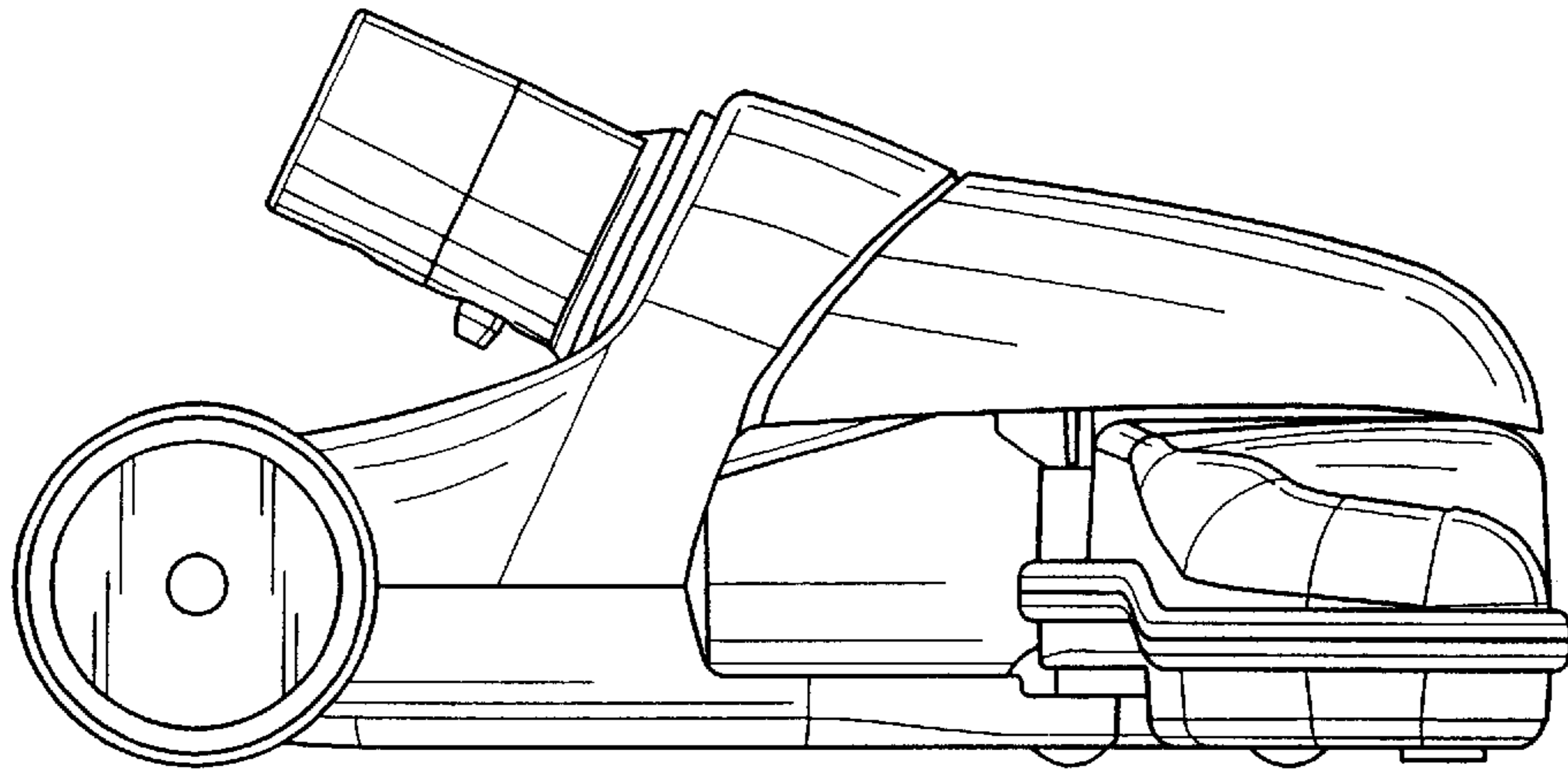


FIG. 5

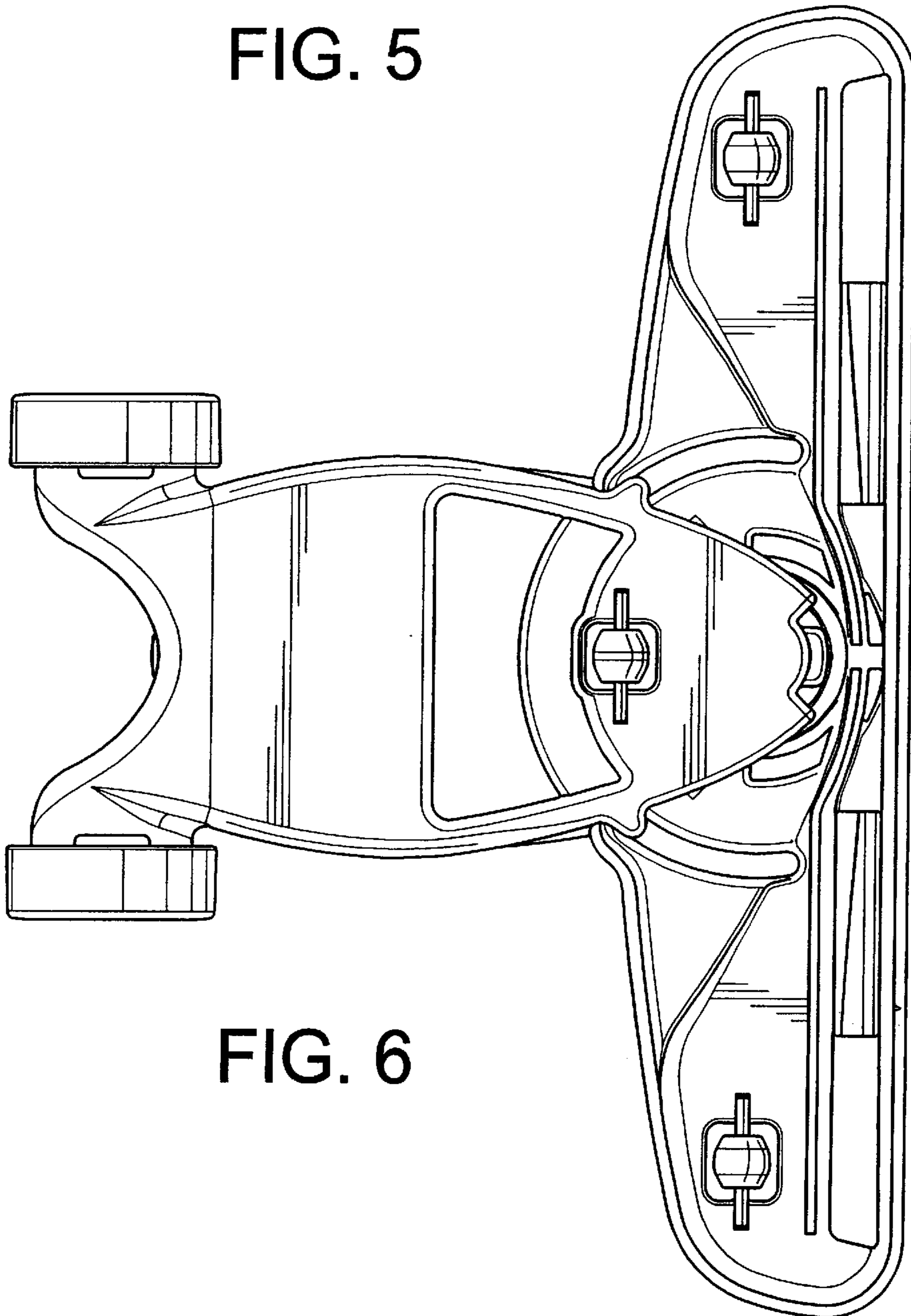


FIG. 6

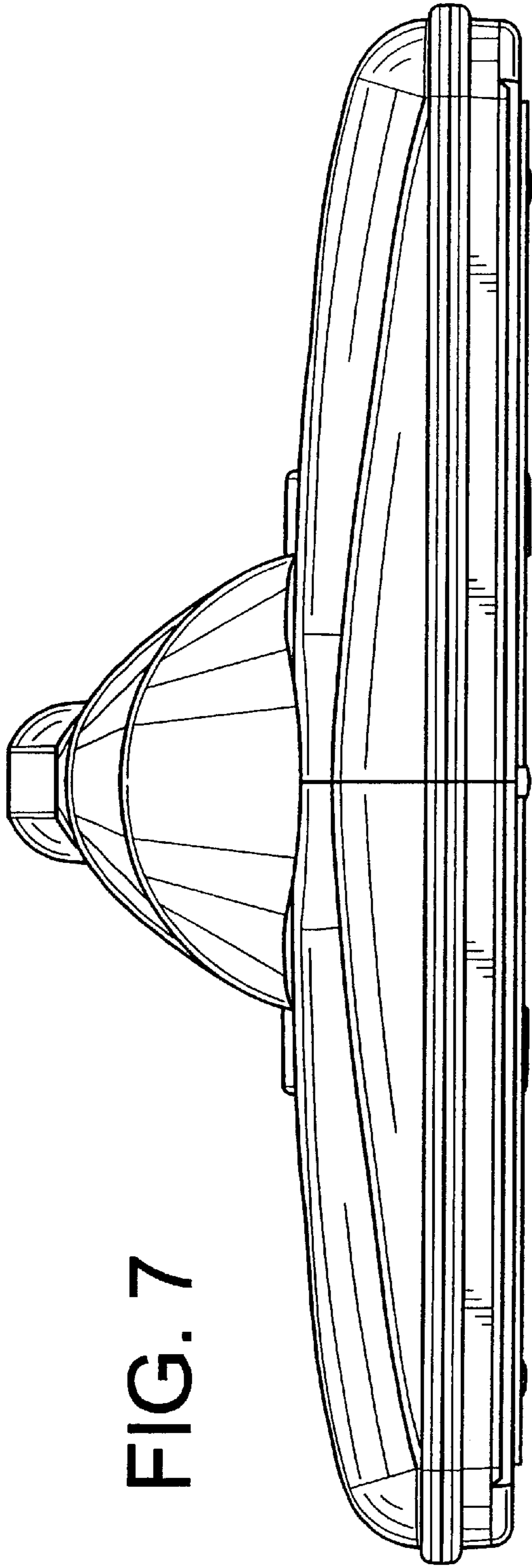


FIG. 7

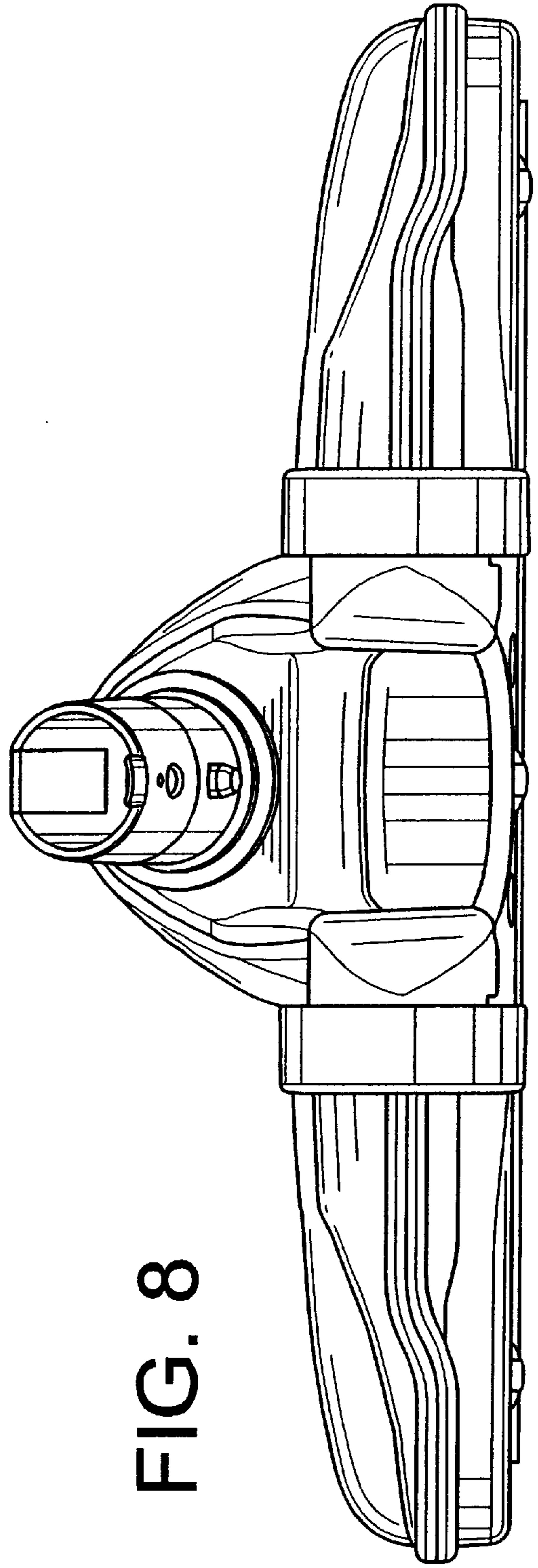


FIG. 8

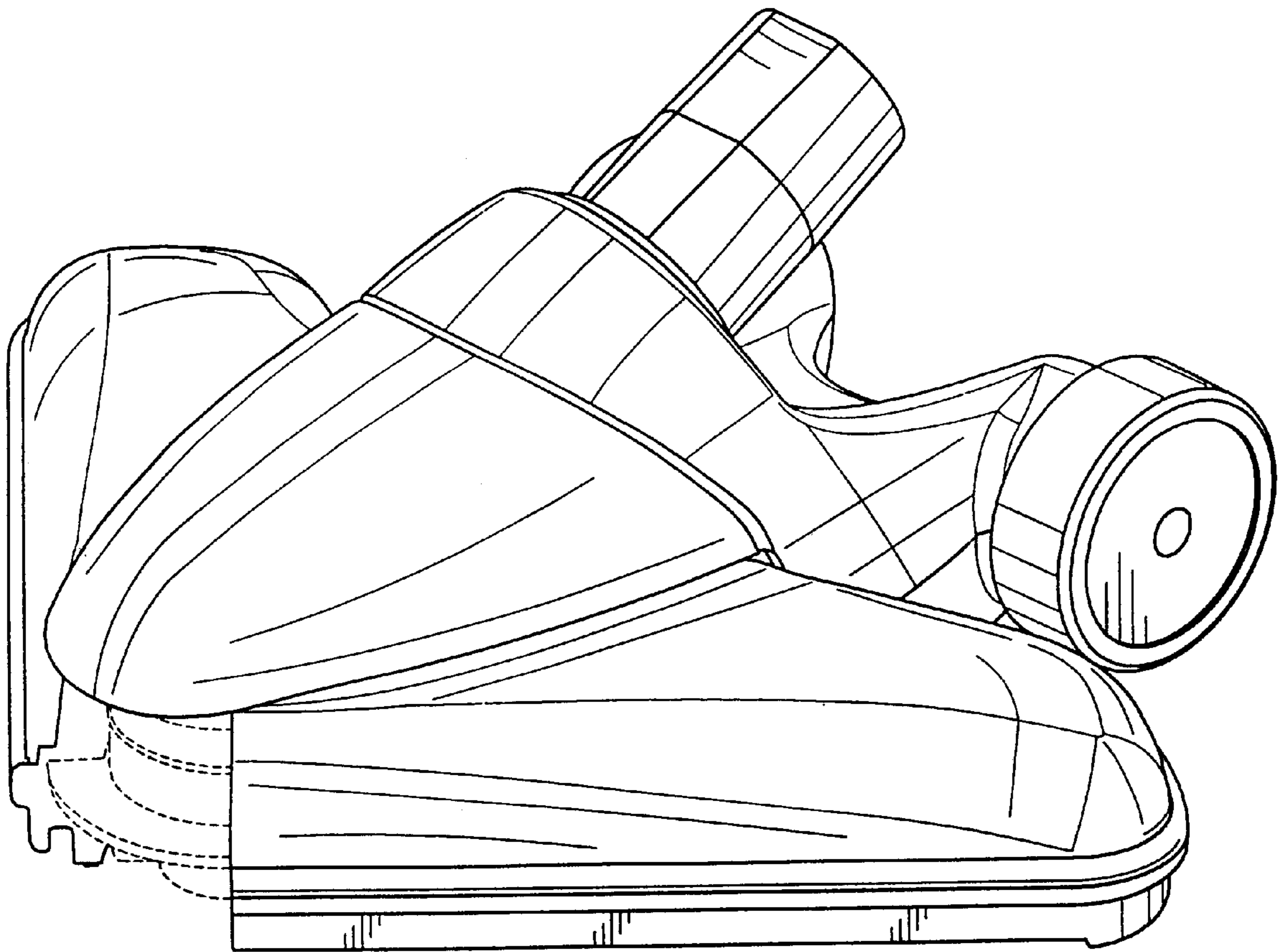


FIG. 9