



US00D477445S

(12) **United States Design Patent**
Schröter

(10) **Patent No.:** **US D477,445 S**

(45) **Date of Patent:** **** Jul. 15, 2003**

(54) **VACUUM CLEANER HOSE EXTENSION**

(75) Inventor: **Jörg Schröter**, Gröbenzell (DE)

(73) Assignee: **BSH Bosch und Siemens Hausgeräte GmbH**, Munich (DE)

(**) Term: **14 Years**

(21) Appl. No.: **29/146,654**

(22) Filed: **Aug. 13, 2001**

(30) **Foreign Application Priority Data**

Feb. 13, 2001 (WO) DM/055 245

(51) **LOC (7) Cl.** **15-05**

(52) **U.S. Cl.** **D32/31**

(58) **Field of Search** D32/31-34, 22,
D32/25; 15/322, 327.1-327.7, 329, 350,
361-362, 377, 393, 398, 400-401, 410-411,
415.1, 422.1; 285/7, 302, 181

(56) **References Cited**

U.S. PATENT DOCUMENTS

D217,285	S	*	4/1970	Anderson	D32/31
4,079,965	A	*	3/1978	Moughty et al.	285/7
D267,906	S	*	2/1983	Parise et al.	D32/31
4,494,270	A	*	1/1985	Ritzau et al.	15/377
6,108,861	A	*	8/2000	Vystreil et al.	15/323
6,148,474	A	*	11/2000	Ohara et al.	15/377
D453,866	S	*	2/2002	Nighy et al.	D32/31

* cited by examiner

Primary Examiner—Ruth McInroy
(74) Attorney, Agent, or Firm—Laurence A. Greenberg;
Werner H. Stemer; Ralph E. Locher

(57) **CLAIM**

The ornamental design for a vacuum cleaner hose extension, as shown and described.

DESCRIPTION

FIG. 1 is a left side view of a vacuum cleaner hose extension showing my new design;
FIG. 2 is a top view thereof;
FIG. 3 is a right side view thereof;
FIG. 4 is a bottom view thereof;
FIG. 5 is a front view thereof;
FIG. 6 is a rear view thereof;
FIG. 7 is a bottom perspective view thereof;
FIG. 8 is a top perspective view thereof;
FIG. 9 is a top perspective view with vacuum cleaner hose extension in an extended position;
FIG. 10 is a partial close-up perspective view of the vacuum cleaner hose extension in the extended position;
FIG. 11 is a top perspective view with the vacuum cleaner hose extension in an intermediate position; and,
FIG. 12 is a partial close-up perspective view of the vacuum cleaner hose extension in the intermediate position.

1 Claim, 6 Drawing Sheets

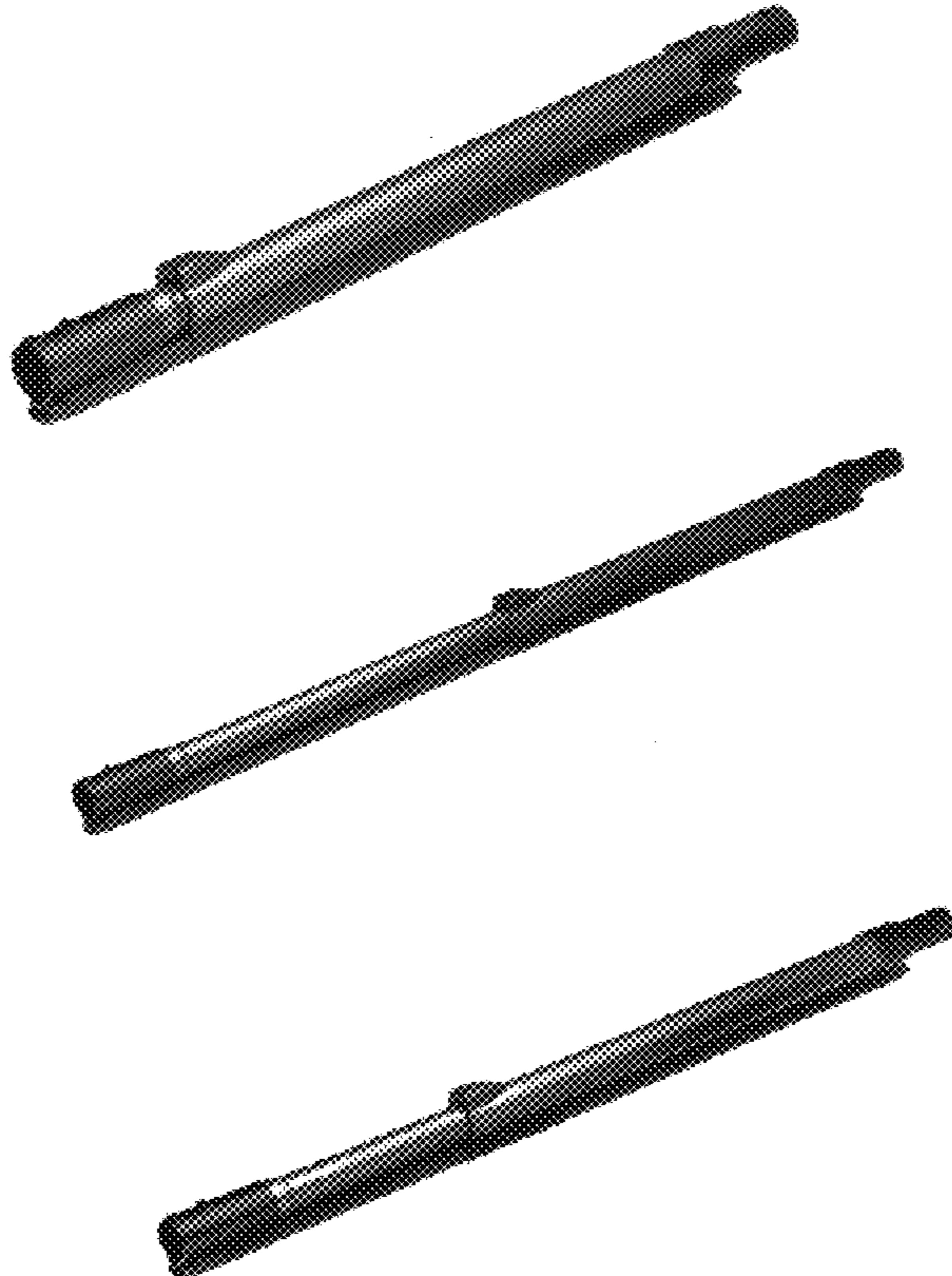


FIG. 1



FIG. 2



FIG. 3

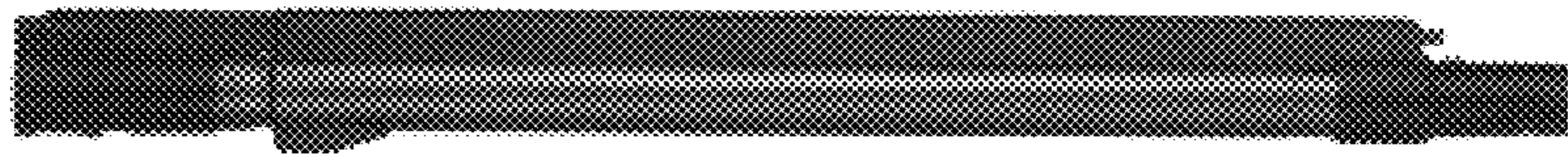


FIG. 4



FIG. 5

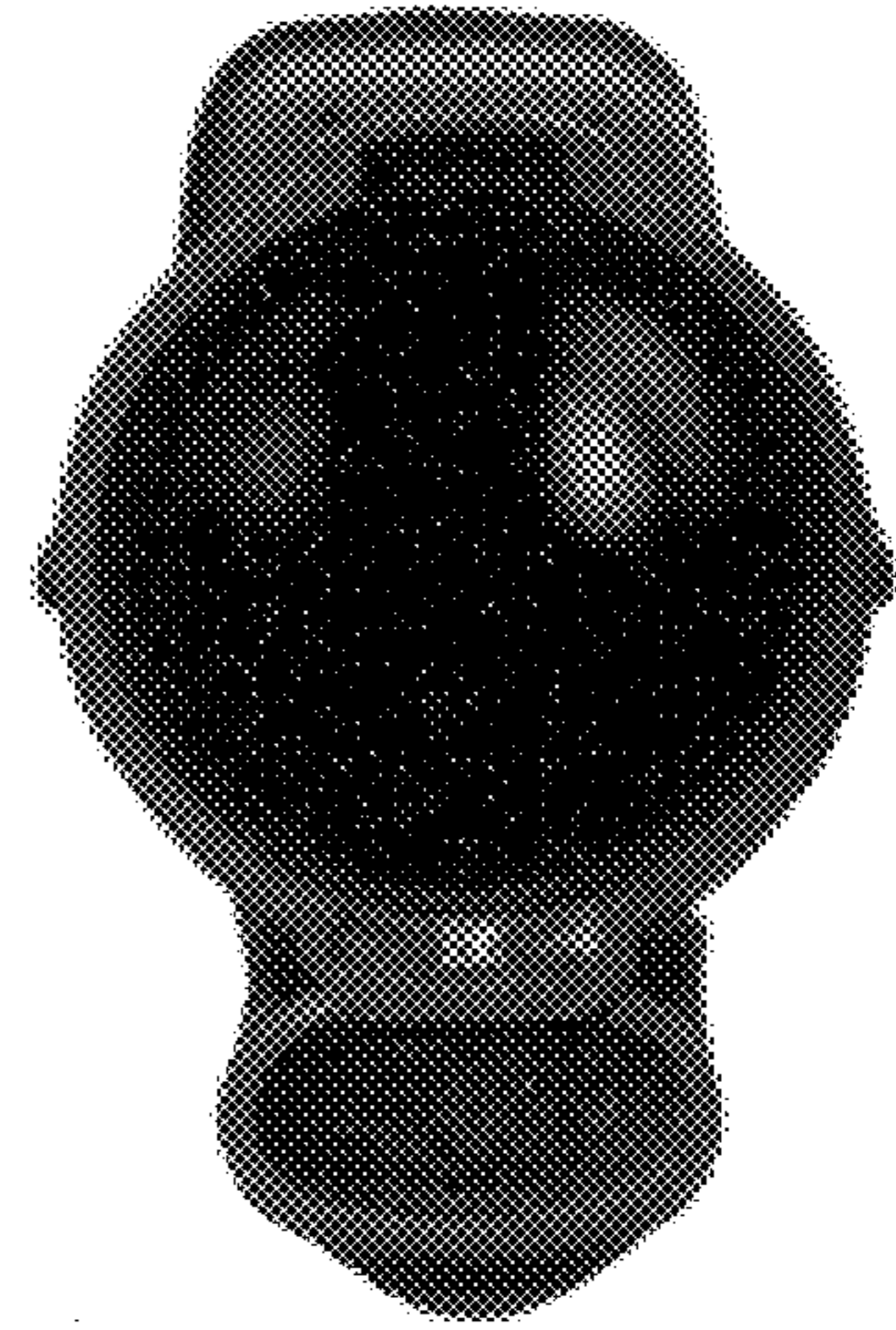


FIG. 6

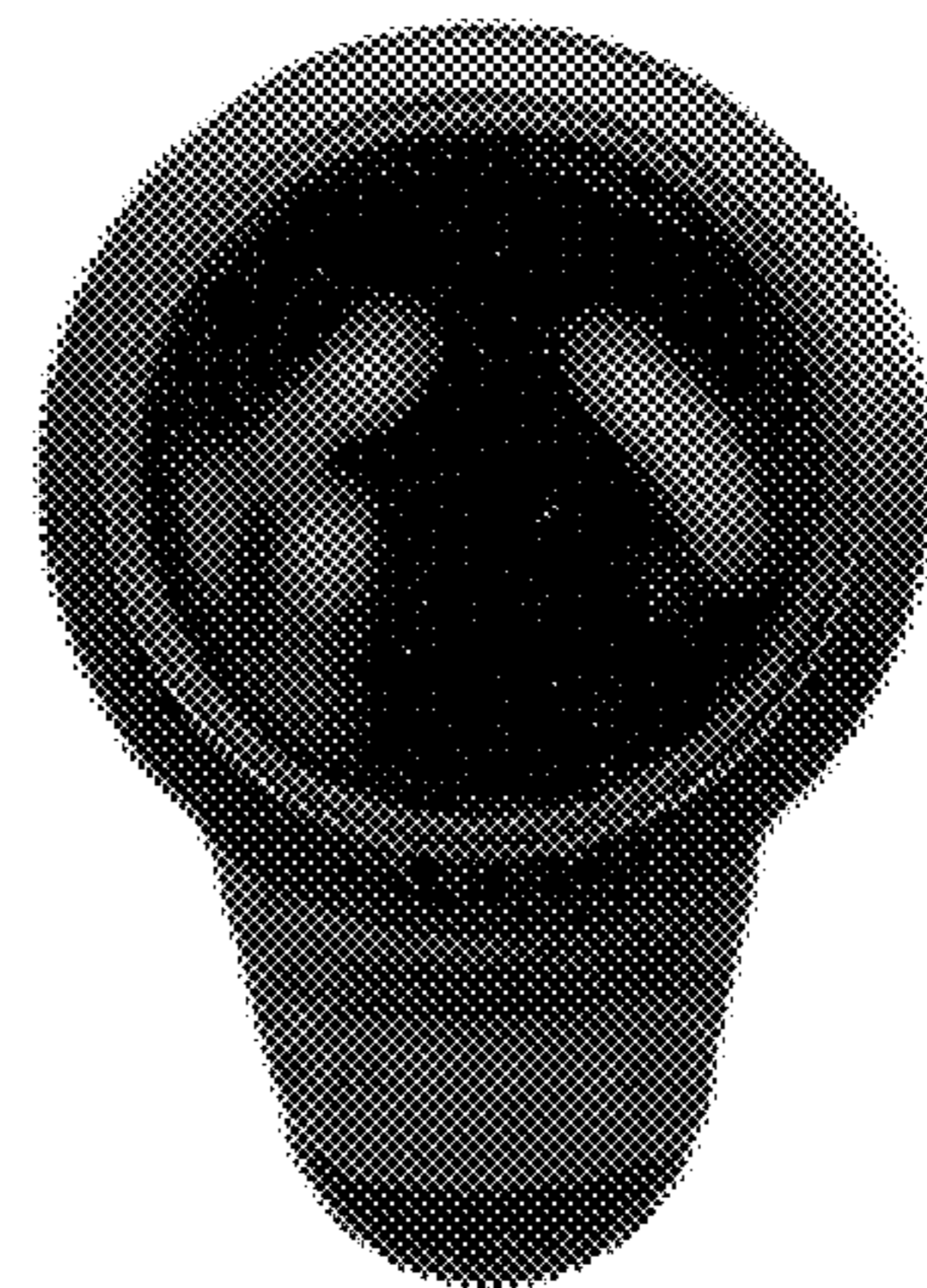


FIG. 7

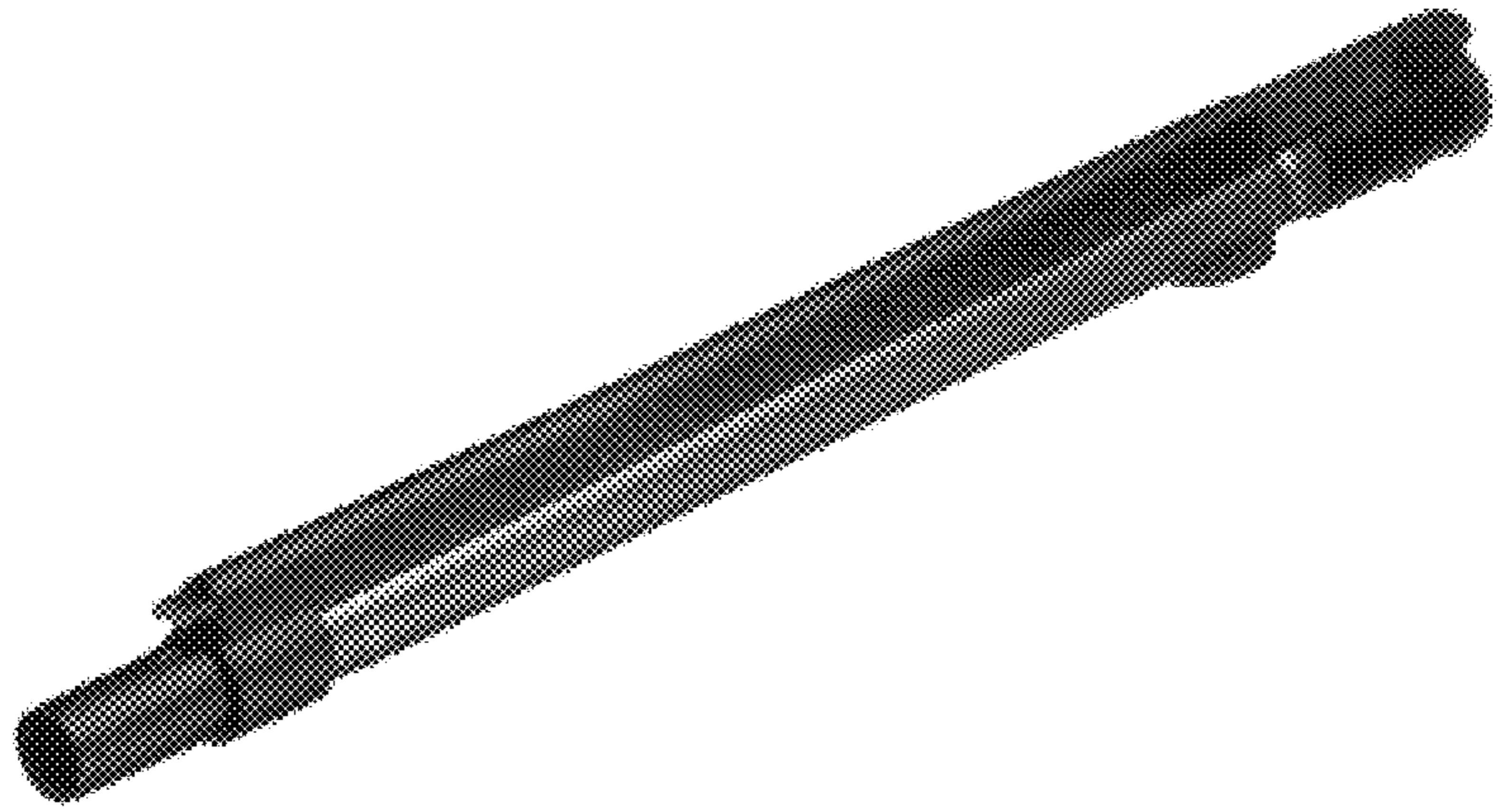


FIG. 8

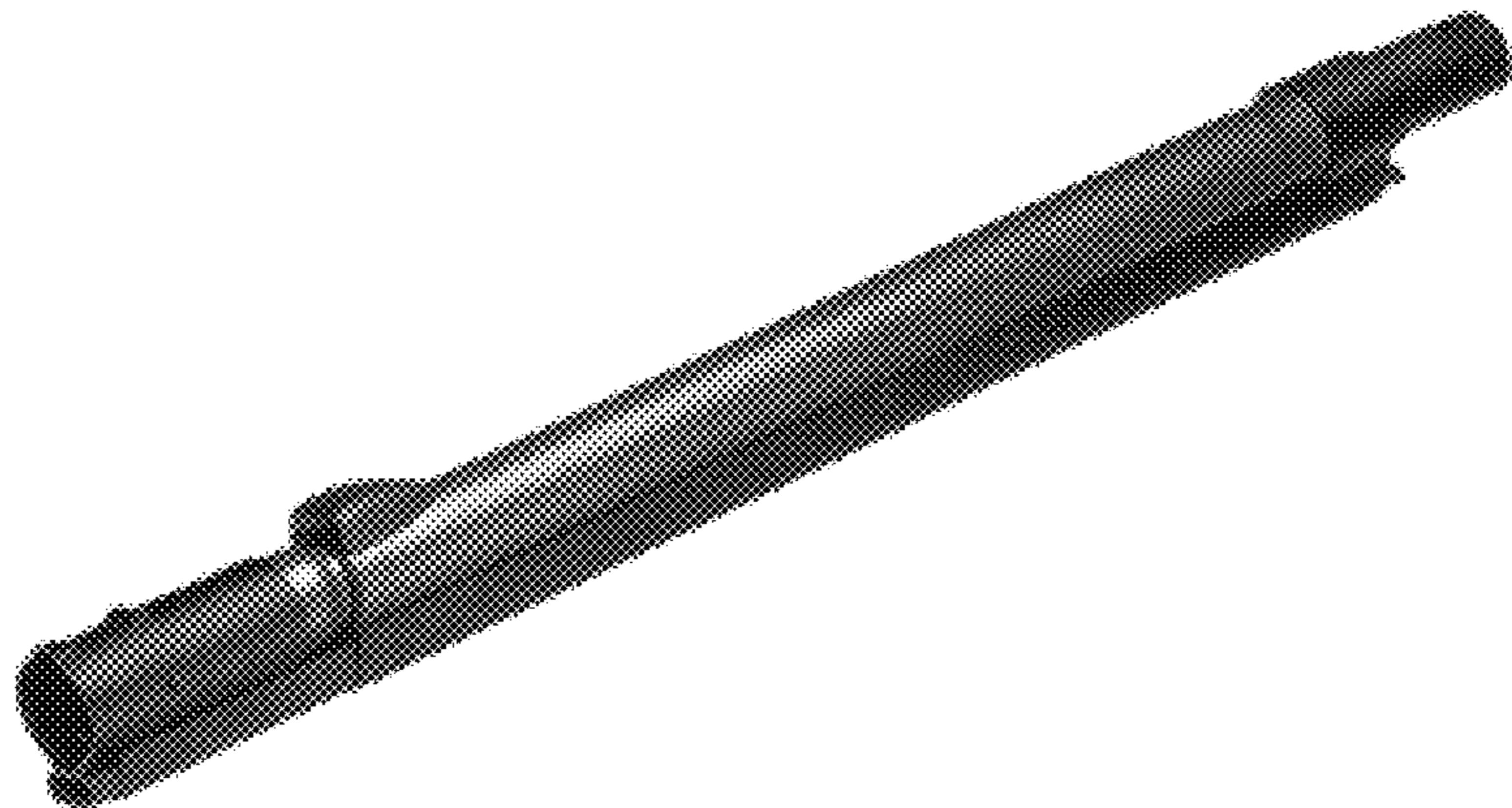


FIG. 9

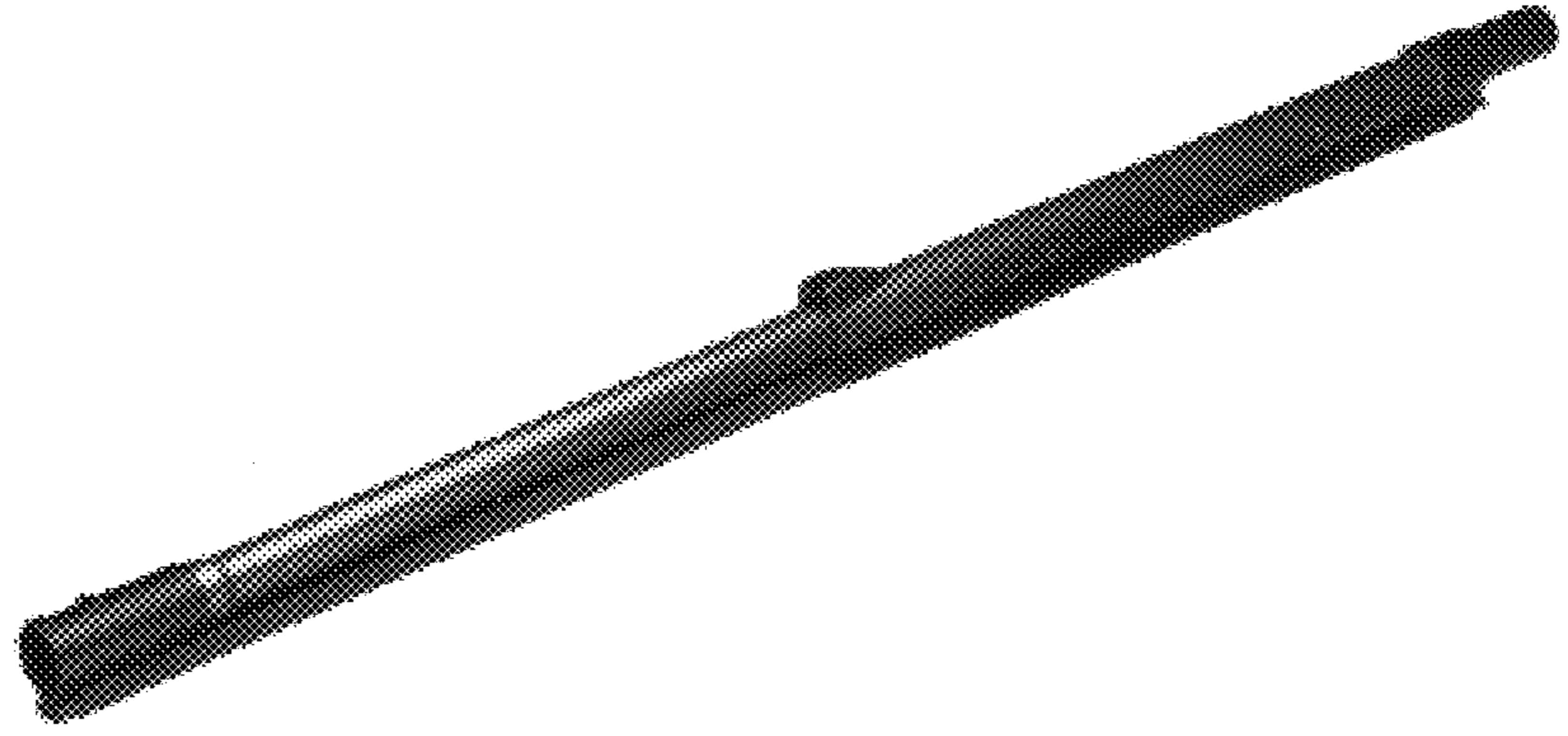


FIG. 10

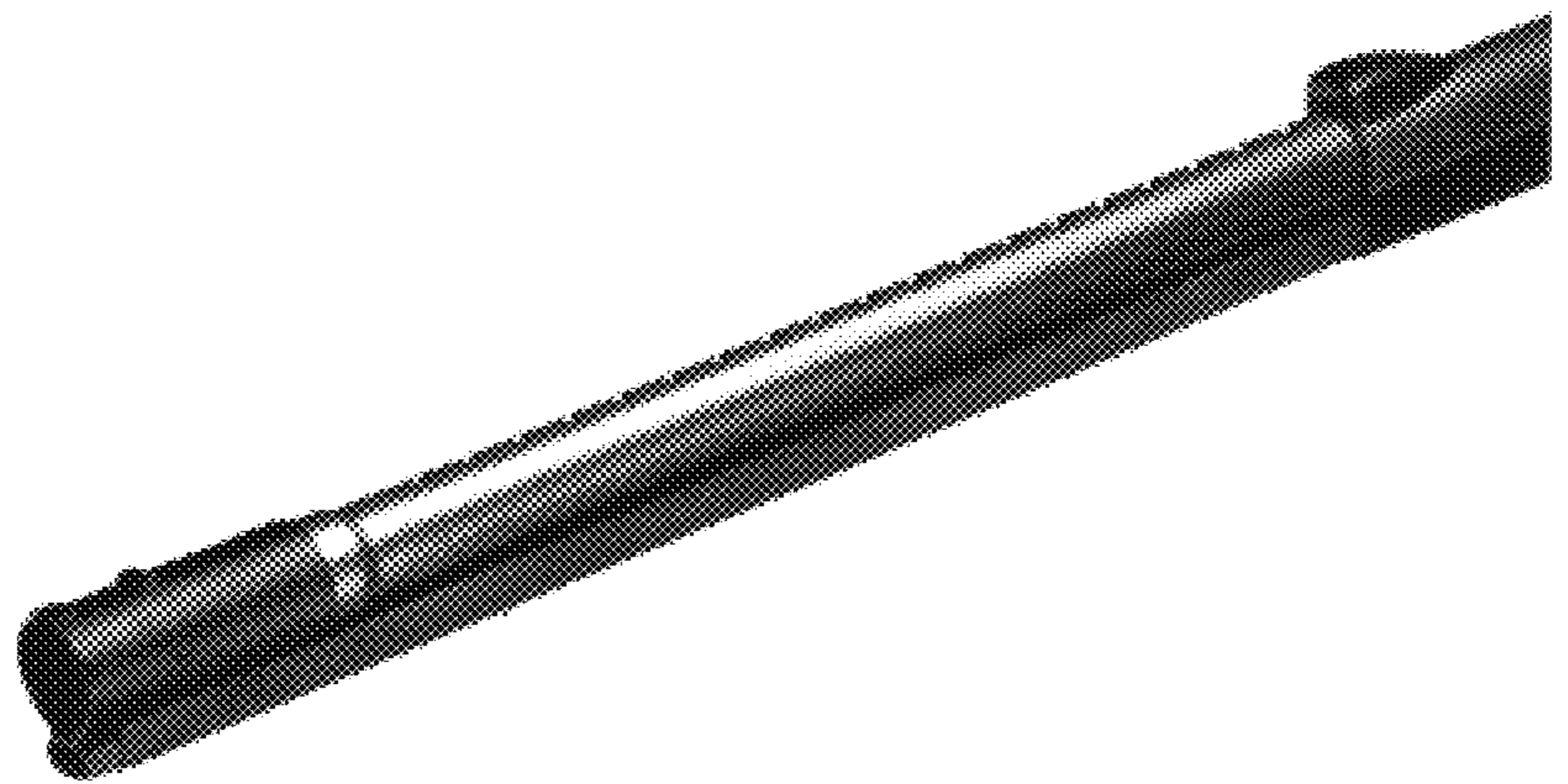


FIG. 11

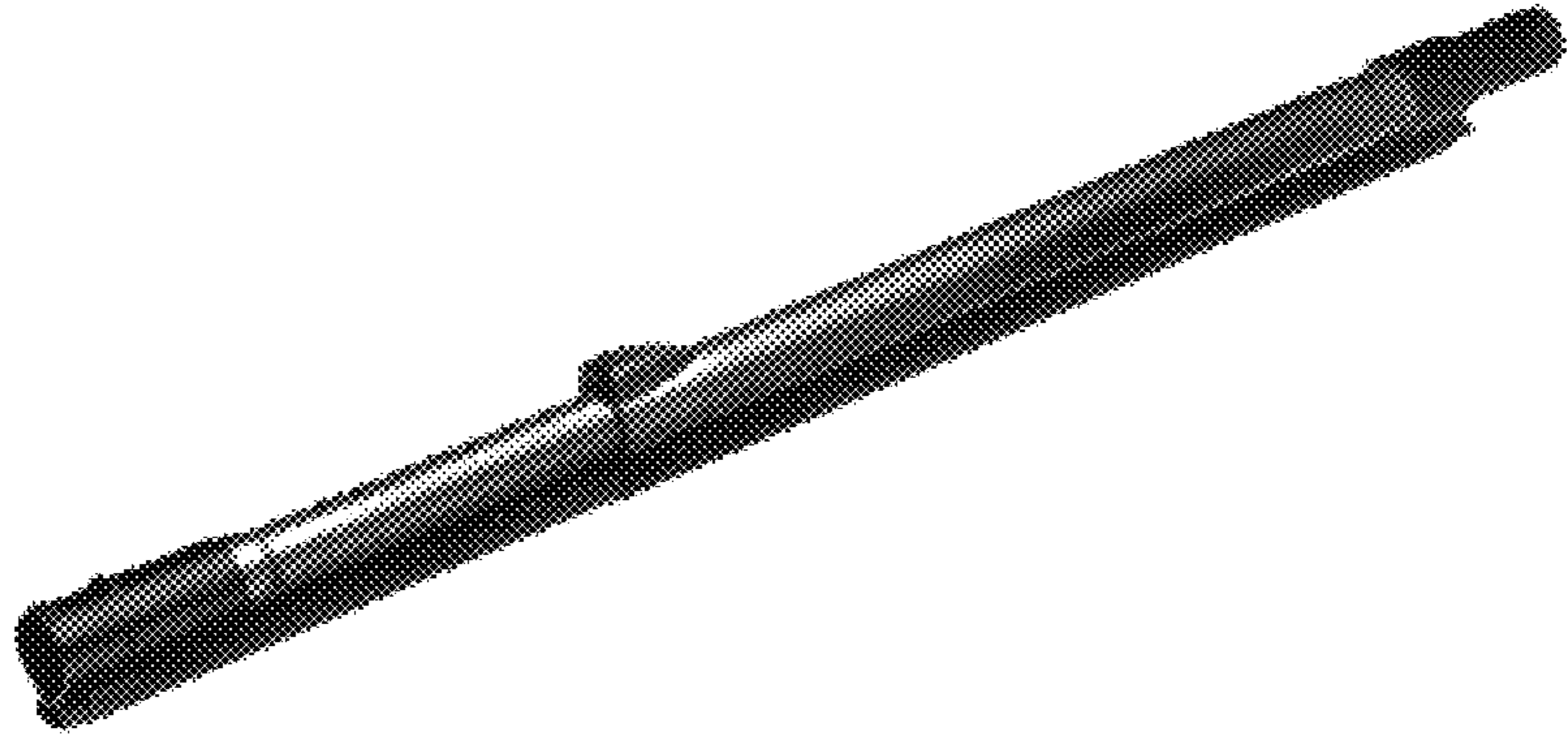


FIG. 12

