



US00D477440S

(12) **United States Design Patent**  
**Ansaldo**

(10) **Patent No.:** **US D477,440 S**

(45) **Date of Patent:** **\*\* Jul. 15, 2003**

(54) **DEER FEEDER**

(76) Inventor: **Albert A. Ansaldo**, 119 Bobby Lou Dr.,  
San Antonio, TX (US) 78218

(\*\*) Term: **14 Years**

(21) Appl. No.: **29/168,417**

(22) Filed: **Oct. 1, 2002**

(51) **LOC (7) Cl.** ..... **30-07**

(52) **U.S. Cl.** ..... **D30/121**; 119/57.91

(58) **Field of Search** ..... D30/121, 122,  
D30/131, 133; 119/57.91, 51.01, 51.03,  
51.11, 51.13, 51.12, 52.4, 53, 52.2, 61,  
53.5, 54, 52.1, 786

(56) **References Cited**

**U.S. PATENT DOCUMENTS**

1,120,178 A	12/1914	Berghofer	
1,505,157 A	8/1924	Markey	
D174,781 S	* 5/1955	Starma	..... D30/121
4,324,202 A	4/1982	Stonestreet et al.	
5,036,798 A	8/1991	King	
D335,004 S	* 4/1993	Poston	..... D30/121
5,259,337 A	11/1993	Rasmussen	
5,275,129 A	1/1994	Vigesaa et al.	
5,463,980 A	11/1995	Rasmussen	
D397,527 S	* 8/1998	Bruder et al.	..... D30/121

5,794,561 A	8/1998	Schulz
5,850,805 A	12/1998	Kleinsasser
5,862,777 A	1/1999	Sweeney
6,053,124 A	4/2000	Kolbe

\* cited by examiner

*Primary Examiner*—Pamela Burgess  
(74) *Attorney, Agent, or Firm*—Dorr, Carson, Sloan &  
Birney, P.C.

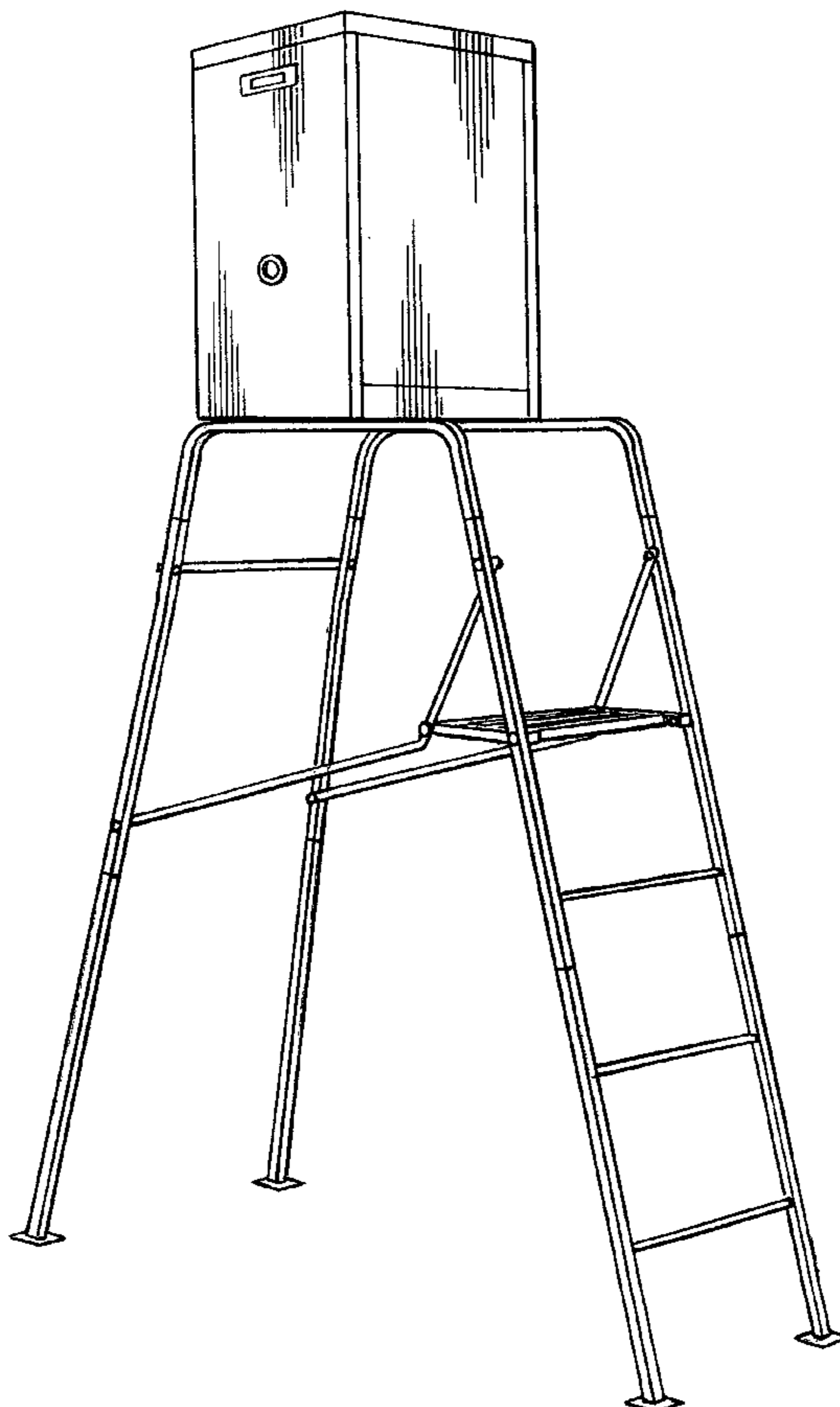
(57) **CLAIM**

The ornamental design for a deer feeder, as shown and described.

**DESCRIPTION**

FIG. 1 is a front perspective view of a deer feeder showing my new design.  
FIG. 2 is a fragmented perspective view thereof, for ease of illustration, with the lid in an opened position for clarity of disclosure;  
FIG. 3 is a left side elevational view thereof.  
FIG. 4 is a right side elevational view thereof.  
FIG. 5 is a front elevational view thereof.  
FIG. 6 is a rear elevational view thereof.  
FIG. 7 is a top view thereof; and,  
FIG. 8 is a bottom view thereof.

**1 Claim, 7 Drawing Sheets**



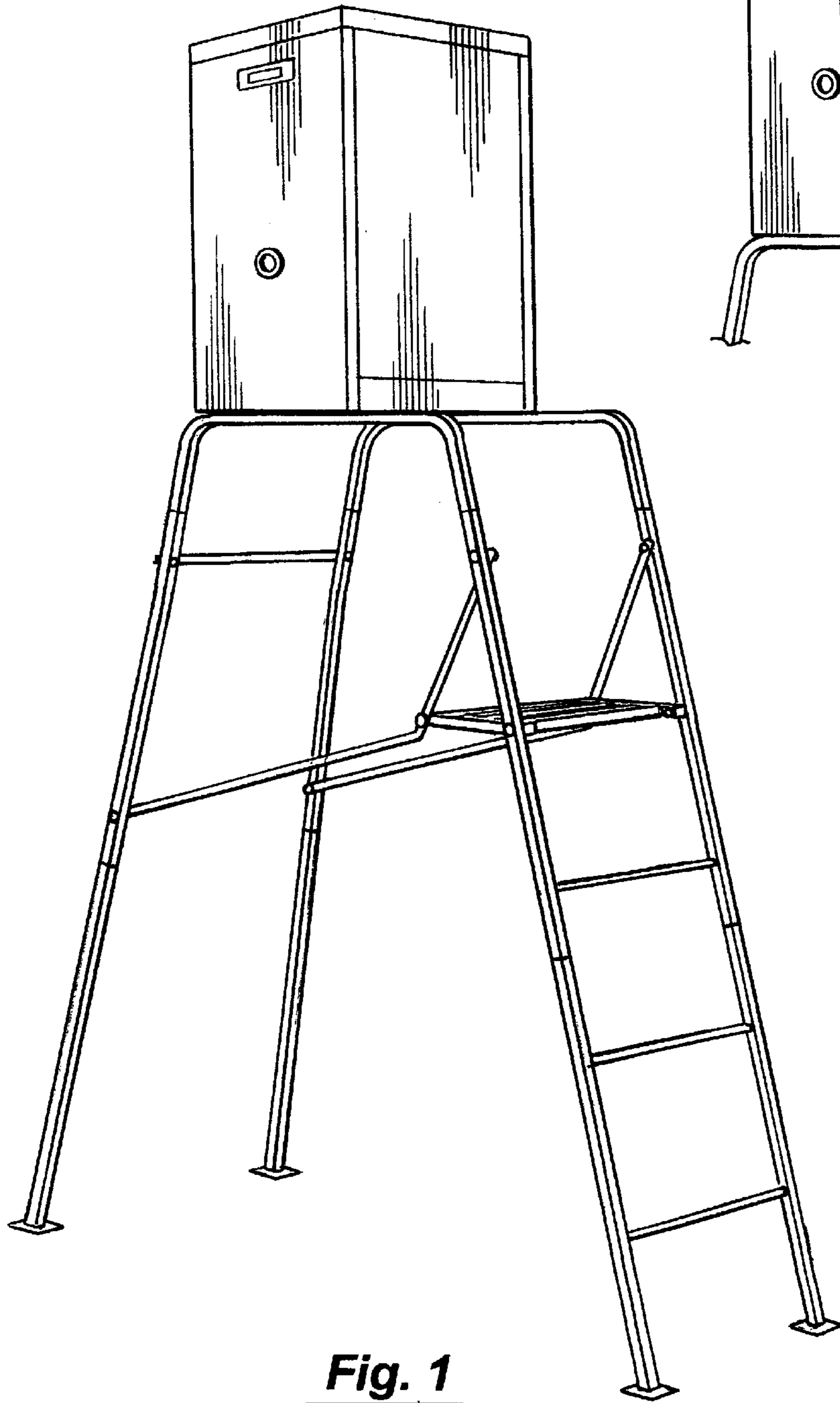


Fig. 1

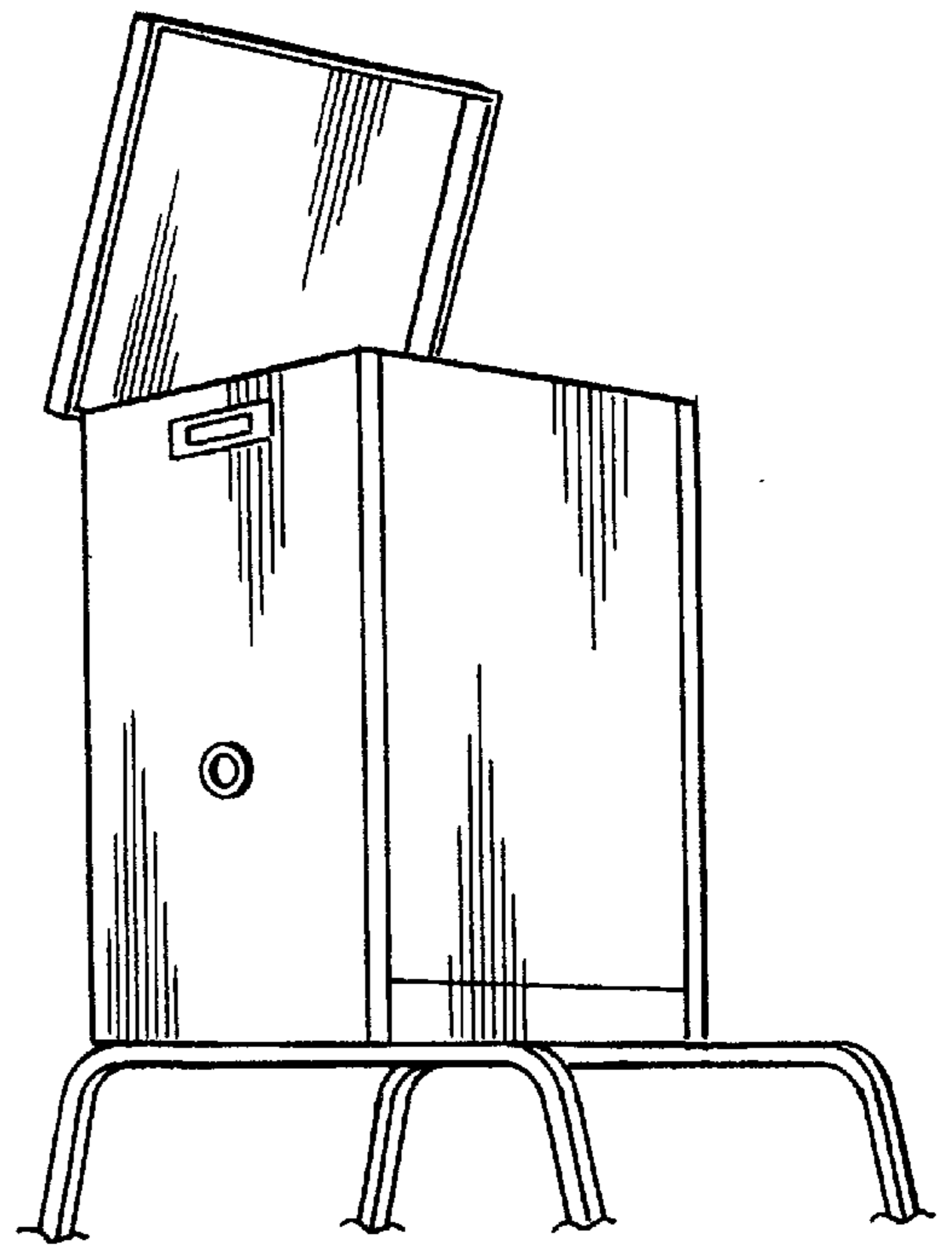


Fig. 2

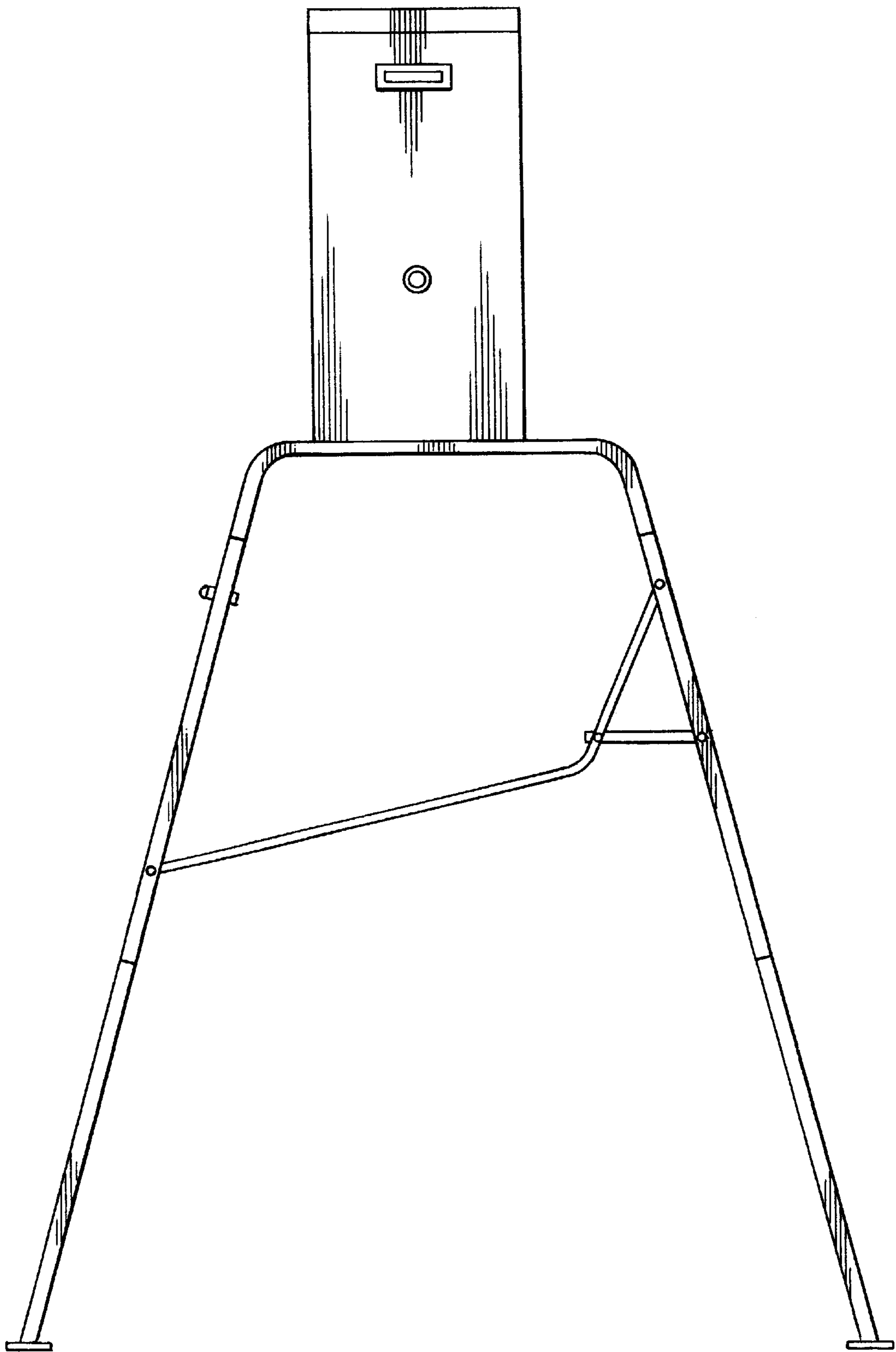


Fig. 3

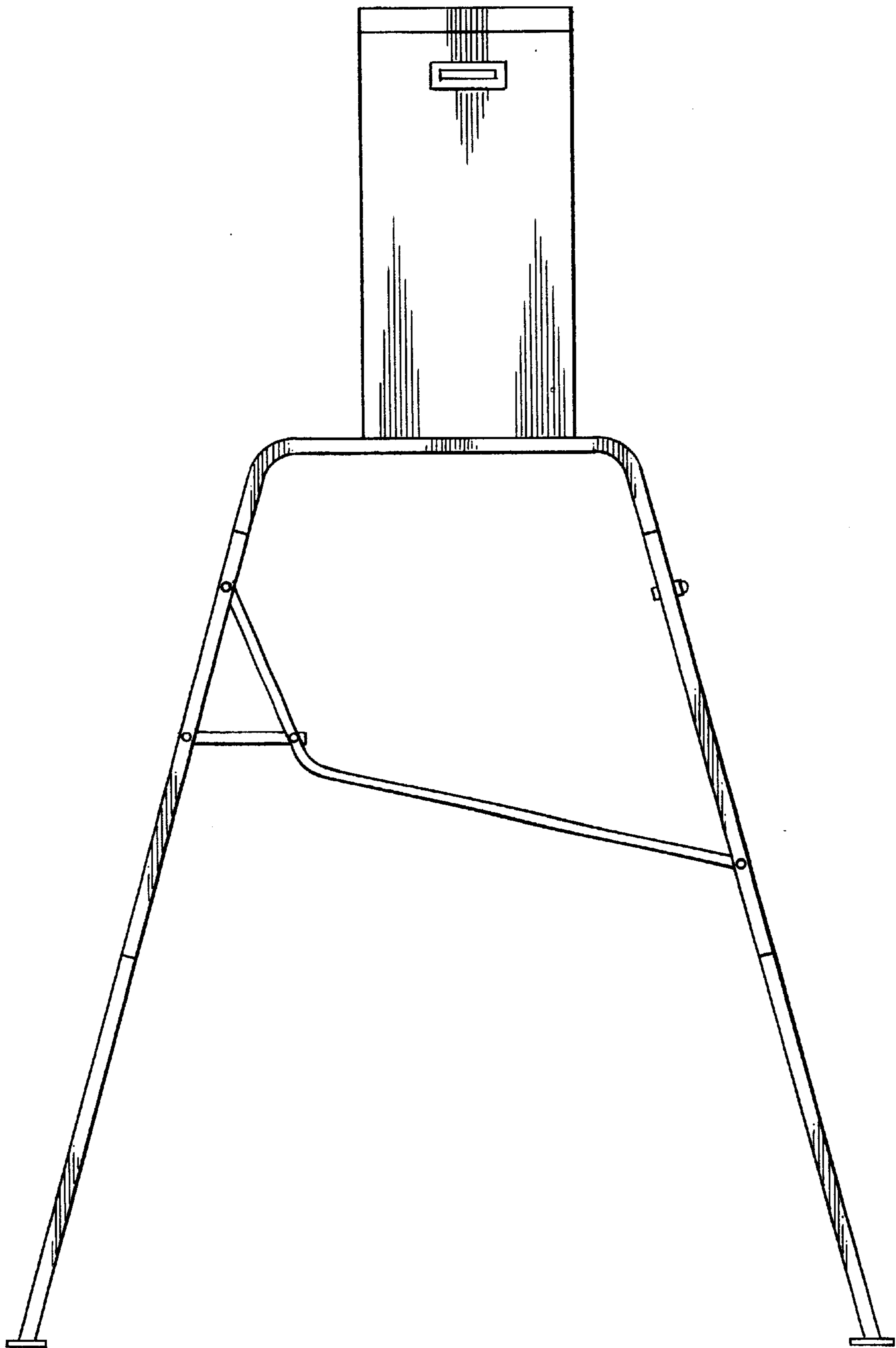
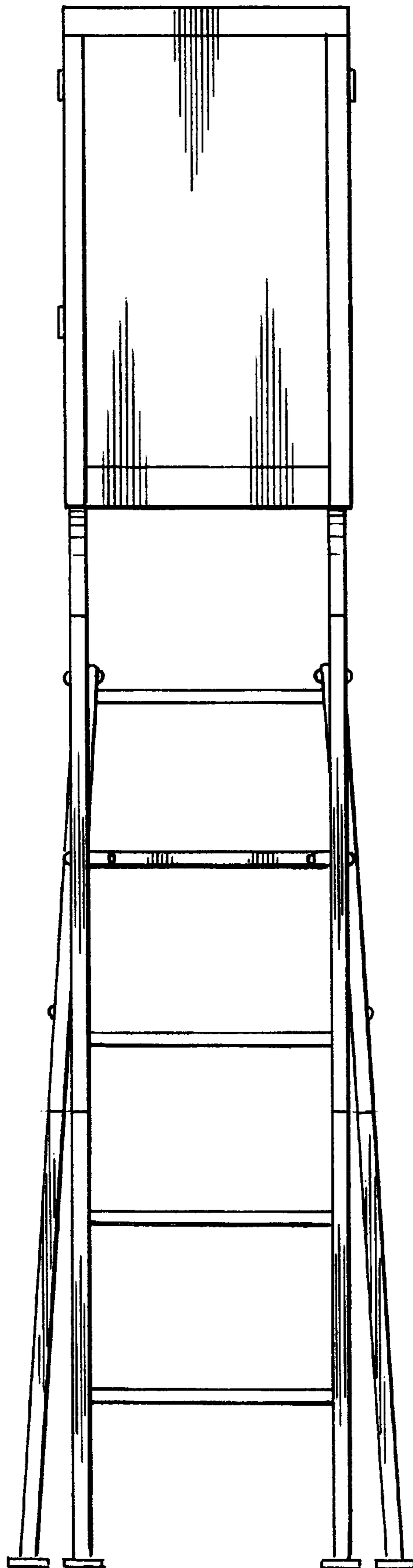
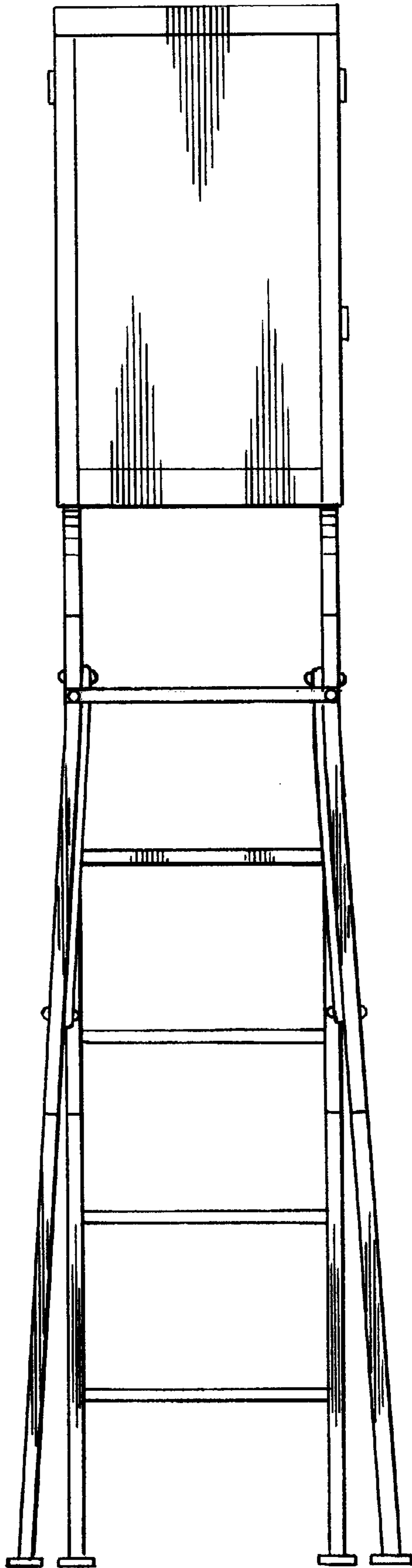


Fig. 4

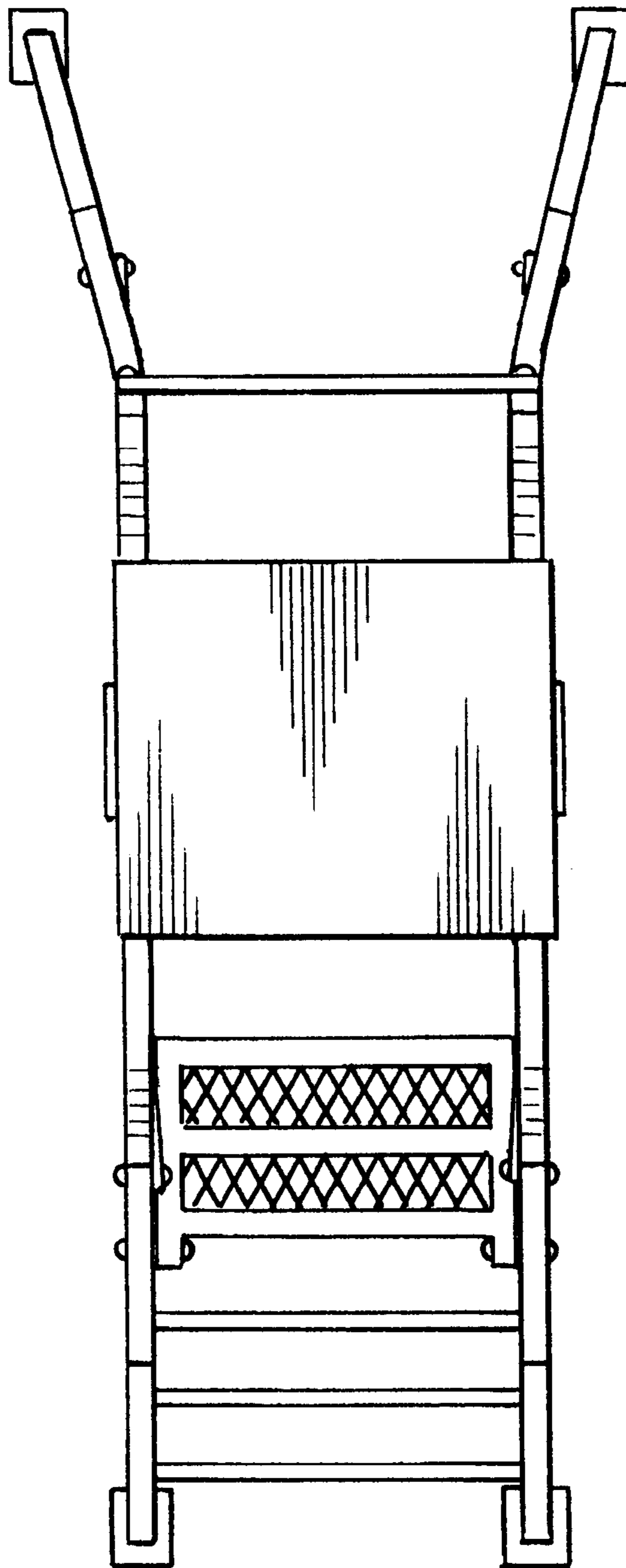


**Fig. 5**

Fig. 6



*Fig. 7*



**Fig. 8**

