



US00D477432S

(12) **United States Design Patent**
Parsons

(10) **Patent No.:** **US D477,432 S**

(45) **Date of Patent:** **** Jul. 15, 2003**

(54) **FLASHLIGHT**

(75) **Inventor:** **Kevin L. Parsons**, Appleton, WI (US)

(73) **Assignee:** **Armament Systems and Prodecures, Inc.**, Appleton, WI (US)

(**) **Term:** **14 Years**

(21) **Appl. No.:** **29/160,201**

(22) **Filed:** **May 6, 2002**

(51) **LOC (7) Cl.** **26-02**

(52) **U.S. Cl.** **D26/37**

(58) **Field of Search** **D26/37-50; 362/157, 362/158, 171, 173, 181-208**

(56) **References Cited**

U.S. PATENT DOCUMENTS

4,134,333	A	1/1979	Warren	
4,276,977	A	7/1981	van Kattenbroek	
4,410,079	A	10/1983	Niederer et al.	
4,589,371	A	5/1986	Mas	
4,709,713	A	12/1987	Kuhl	
5,279,254	A	1/1994	Dowty	
5,758,378	A	6/1998	Kristensen	
D405,551	S	* 2/1999	Lynch et al.	D26/37
D467,363	S	* 12/2002	Lee	D26/37

FOREIGN PATENT DOCUMENTS

EP	0 512 651	A1	11/1992
EP	1 099 631	A2	5/2001
ES	2 012 162		3/1990
GB	2 047 649	A	12/1980
JP	53-126679		11/1978
JP	60-202016		10/1985

NL	8600159	7/1986
WO	WO87/00398	1/1987
WO	WO99/08946	A1 2/1999
WO	WO00/01229	A1 1/2000

OTHER PUBLICATIONS

EggWay: Egg Collection Systems, Flexy Conveyors and Automated Systems, Flexy srl, Italy prior to May 6, 2002.
Farmtec: Designers and Manufacturers of Poultry Industry Equipment: Egg Transport Systems, Farmtec B.V., Holland prior to May 6, 2002.
Capway© Conveyor Systems: Capway© Egg Collection Systems, Capway Conveyor Systems Inc., York, Pennsylvania.

* cited by examiner

Primary Examiner—Marcus A. Jackson
(74) *Attorney, Agent, or Firm*—Welsh & Katz, Ltd.

(57) **CLAIM**

The ornamental design for a flashlight, as shown and described.

DESCRIPTION

FIG. 1 is a perspective view of a flashlight in accordance with my new design;
FIG. 2 is a top plan thereof;
FIG. 3 is a bottom view thereof;
FIG. 4 is a side elevational view thereof, the opposite side being substantially identical;
FIG. 5 is a front elevational view thereof; and,
FIG. 6 is a rear elevational view thereof as viewed in FIG. 3.

1 Claim, 2 Drawing Sheets

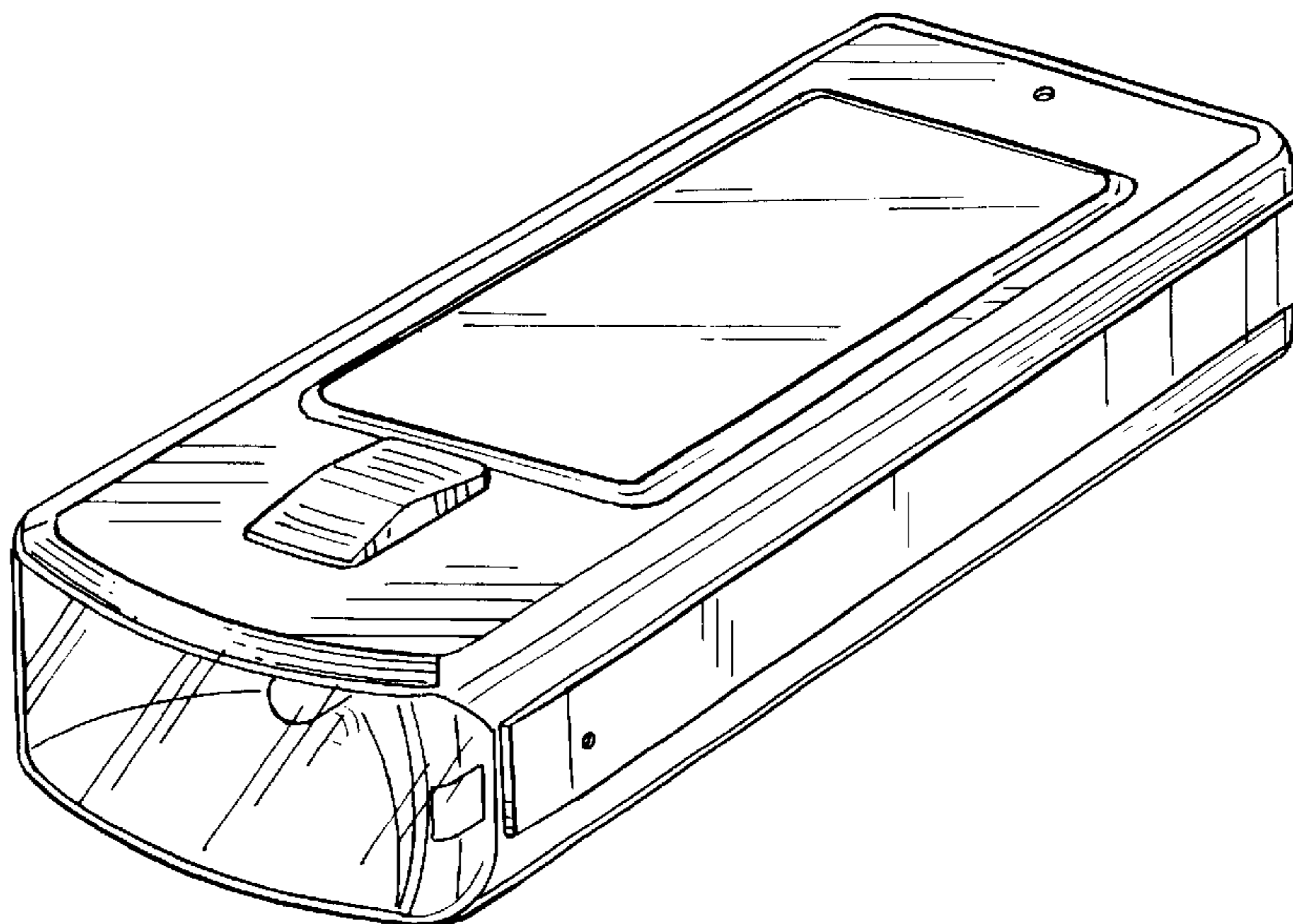


FIG. 1

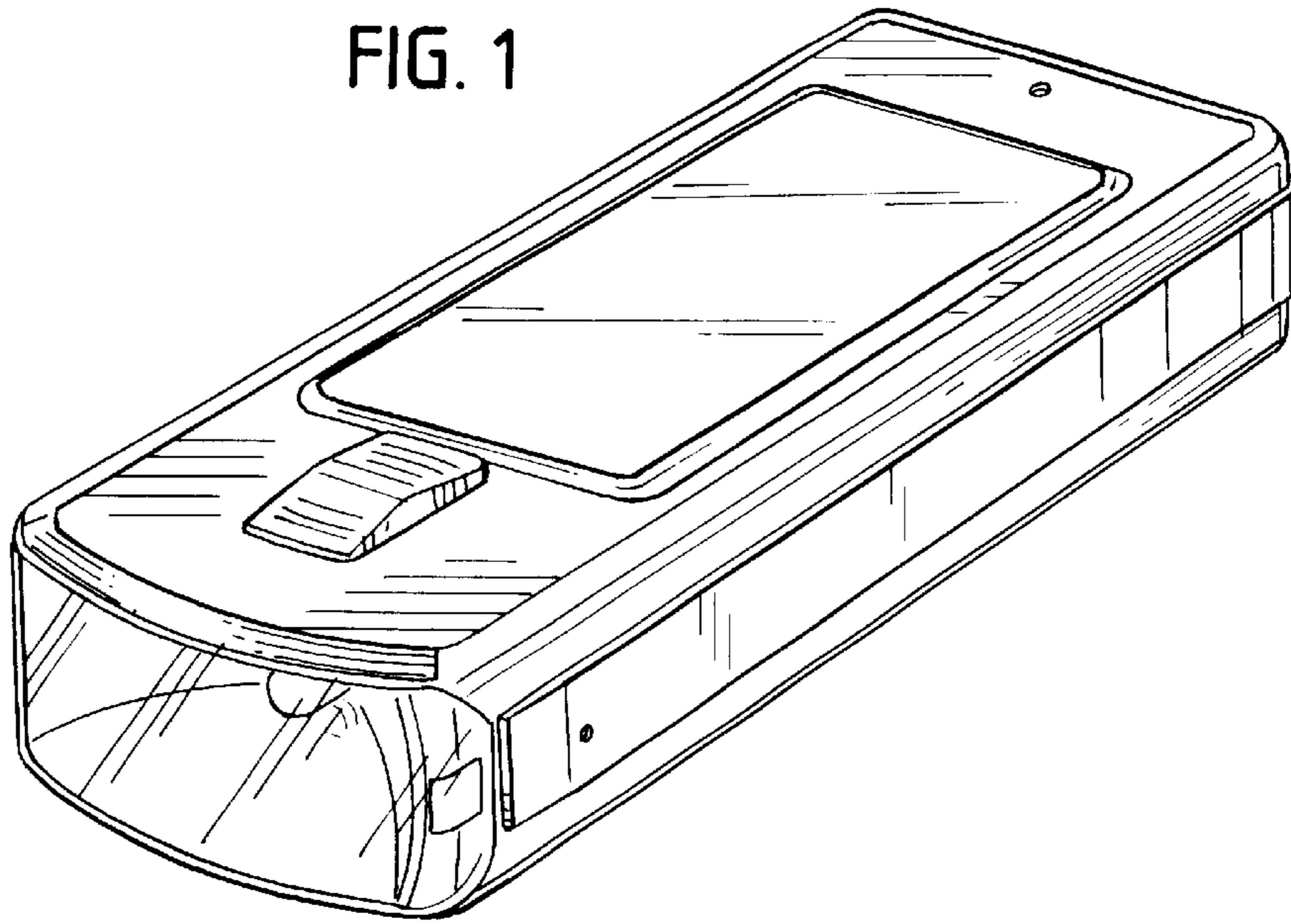


FIG. 2

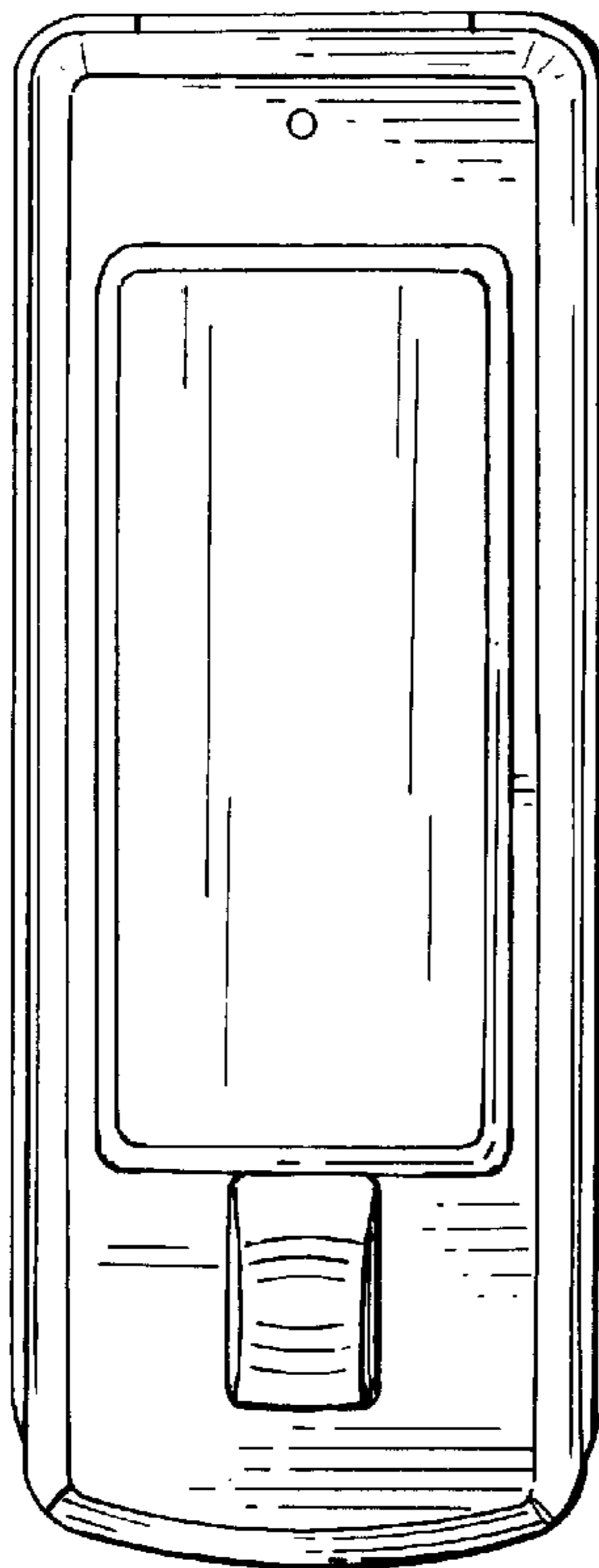


FIG. 3

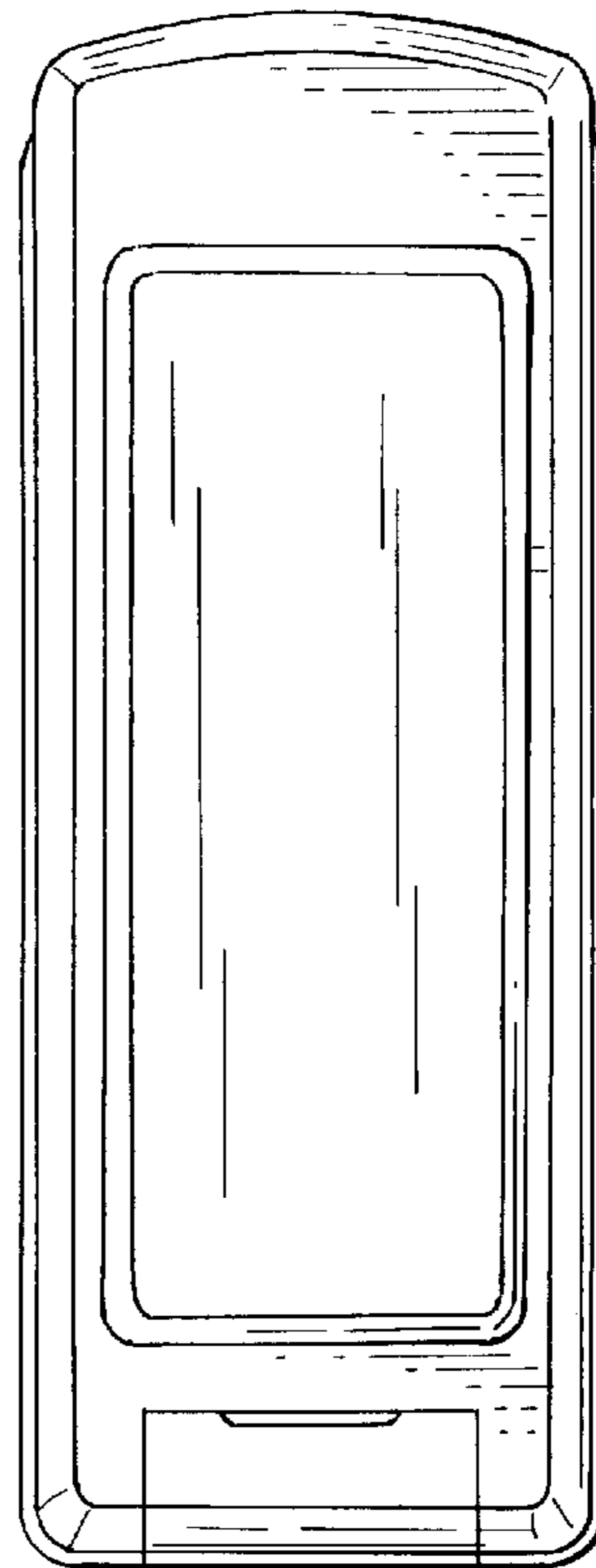


FIG. 4

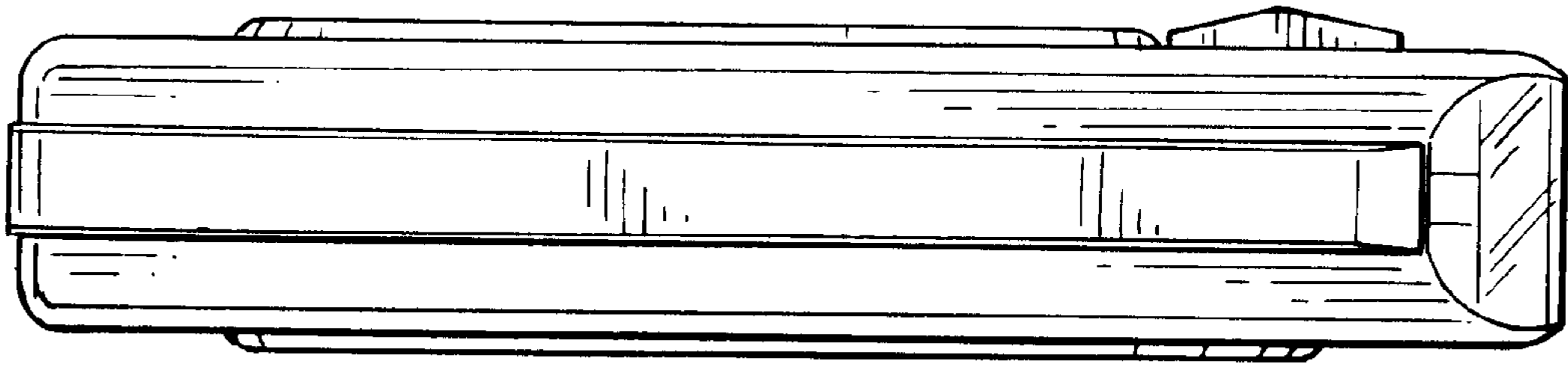


FIG. 5

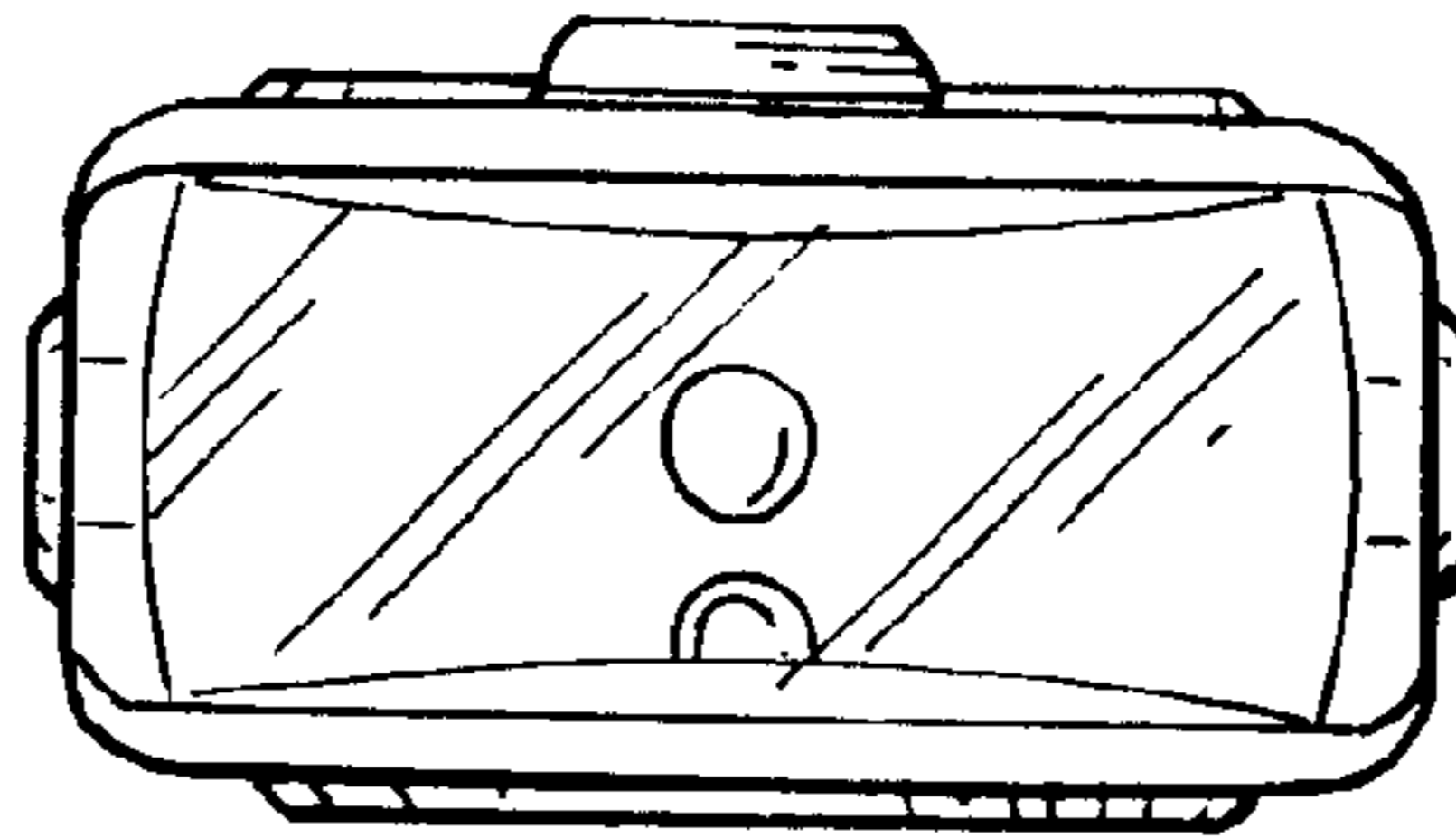


FIG. 6

