



US00D477425S

(12) **United States Design Patent**  
**Gordon**

(10) **Patent No.:** **US D477,425 S**

(45) **Date of Patent:** **\*\* Jul. 15, 2003**

(54) **DECORATIVE LIGHTING APPARATUS**

6,254,250 B1 7/2001 Shieh

(76) Inventor: **Donovan Gordon**, 13 SW. 13th St.,  
Deerfield Beach, FL (US) 33441

\* cited by examiner

(\*\*) Term: **14 Years**

*Primary Examiner*—Alan P. Douglas

*Assistant Examiner*—Clare E Heflin

(74) *Attorney, Agent, or Firm*—Mark D. Bowen, Esq.;  
Stearns Weaver Miller Weissler Alhadeff & Sitterson, P.A.

(21) Appl. No.: **29/160,178**

(22) Filed: **May 6, 2002**

(57) **CLAIM**

(51) **LOC (7) Cl.** ..... **26-04**

The ornamental design for a decorative lighting apparatus,  
as shown and described.

(52) **U.S. Cl.** ..... **D26/25**

(58) **Field of Search** ..... D26/25, 4, 73,  
D26/125; D11/117, 119, 121, 125, 127,  
130.1; 362/806–808, 124, 236, 240, 244,  
246, 250, 252, 123

**DESCRIPTION**

(56) **References Cited**

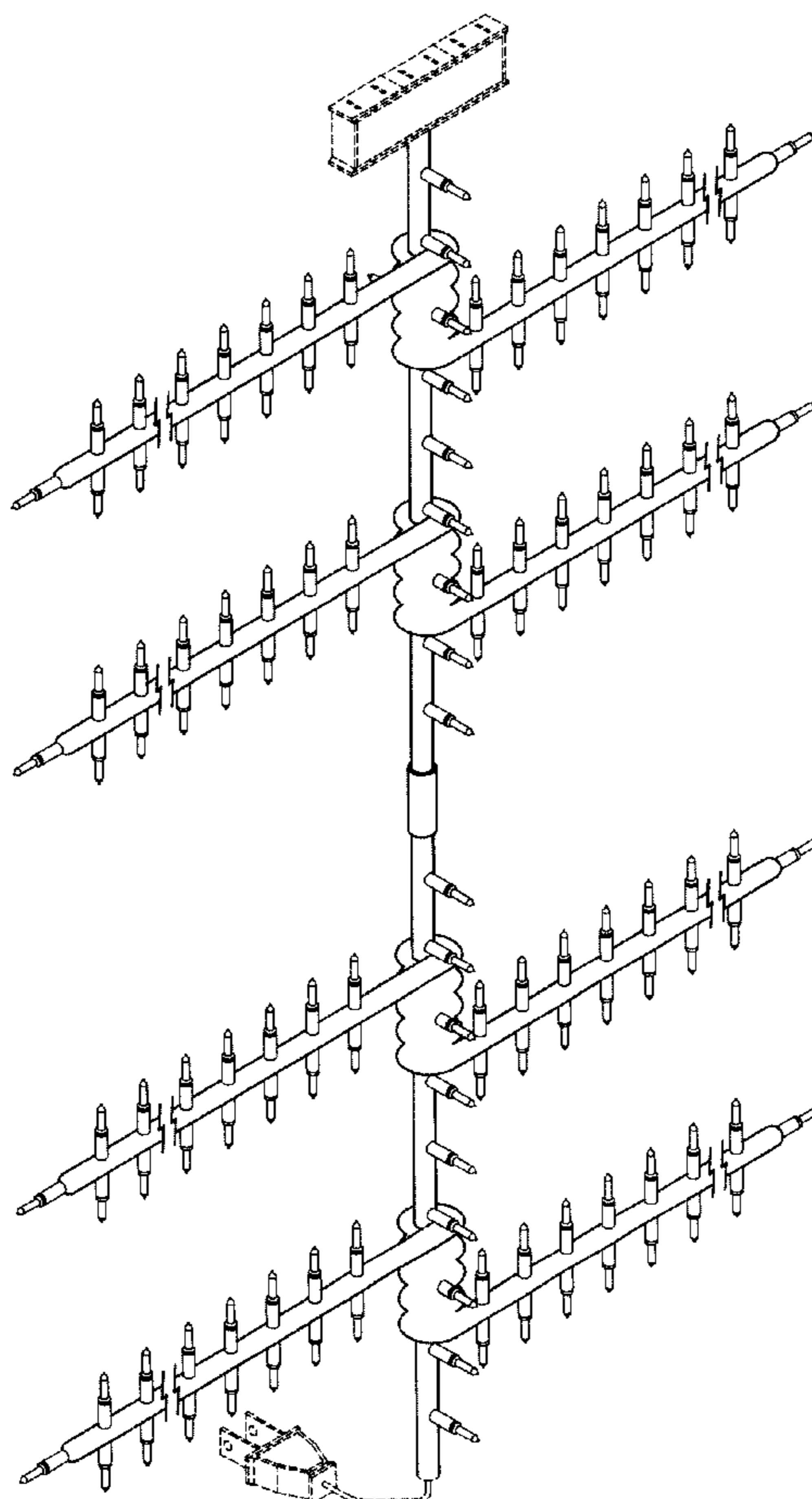
**U.S. PATENT DOCUMENTS**

3,770,951 A	*	11/1973	Corelli et al.	.....	362/249
4,870,547 A		9/1989	Crucefix		
5,422,801 A		6/1995	Sangalli, Jr.		
D360,701 S		7/1995	Glasstetter		
5,550,720 A		8/1996	Carroll		
D386,445 S	*	11/1997	Odierna	.....	D11/121
6,210,016 B1	*	4/2001	Prineppi	.....	362/123
6,228,442 B1		5/2001	Coco		

FIG. 1 is a perspective view of a decorative lighting apparatus according to the present invention;  
FIG. 2 is a front view thereof;  
FIG. 3 is a rear view thereof;  
FIG. 4 is a right side view thereof;  
FIG. 5 is a left side view thereof;  
FIG. 6 is a top view thereof; and,  
FIG. 7 is a bottom view thereof.

The broken lines shown on the drawings are for illustrative purposes only and form no part of the claimed design and the portions of the device shown broken-away are to depict indeterminate length.

**1 Claim, 5 Drawing Sheets**



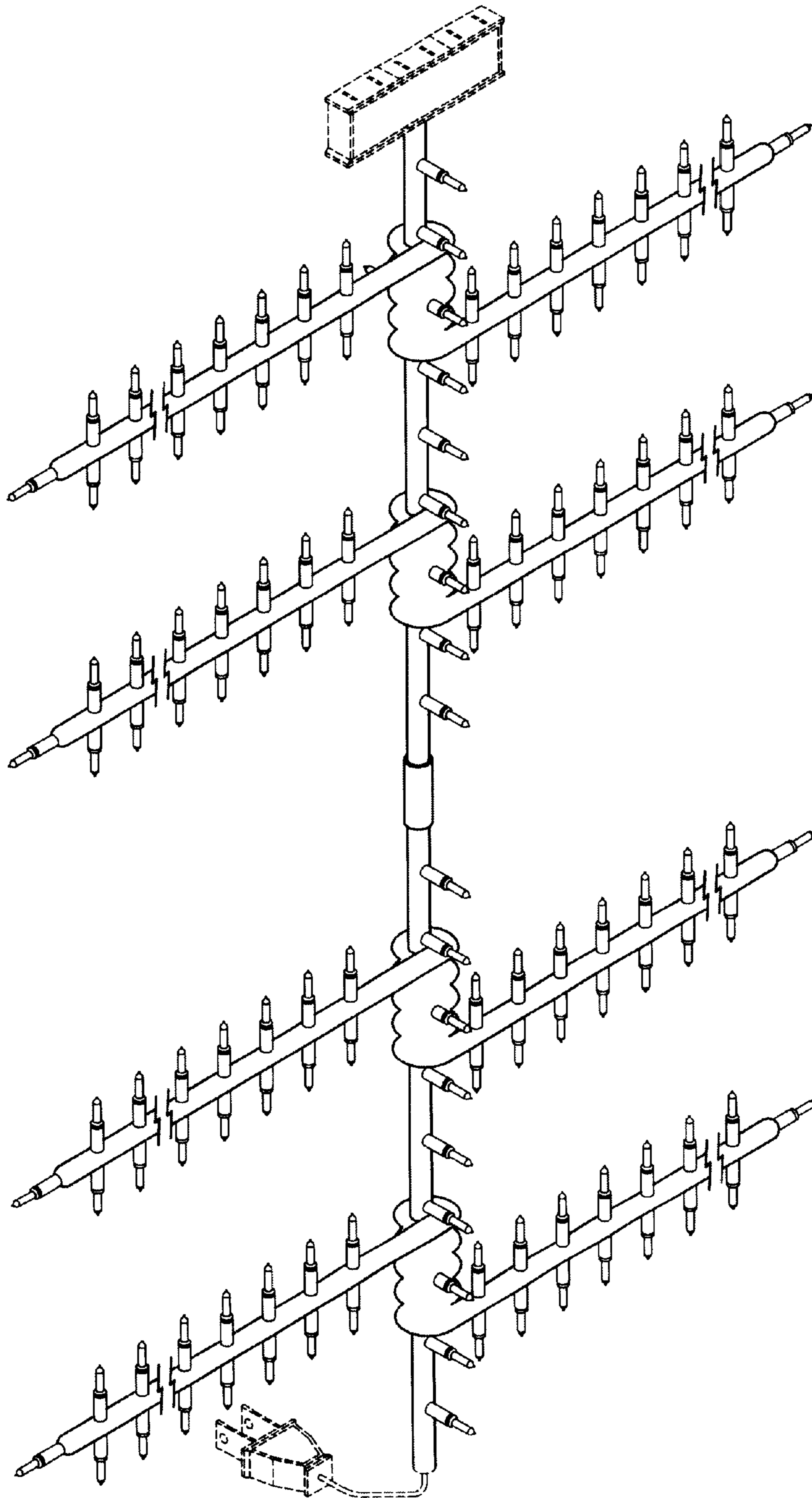


Fig. 1

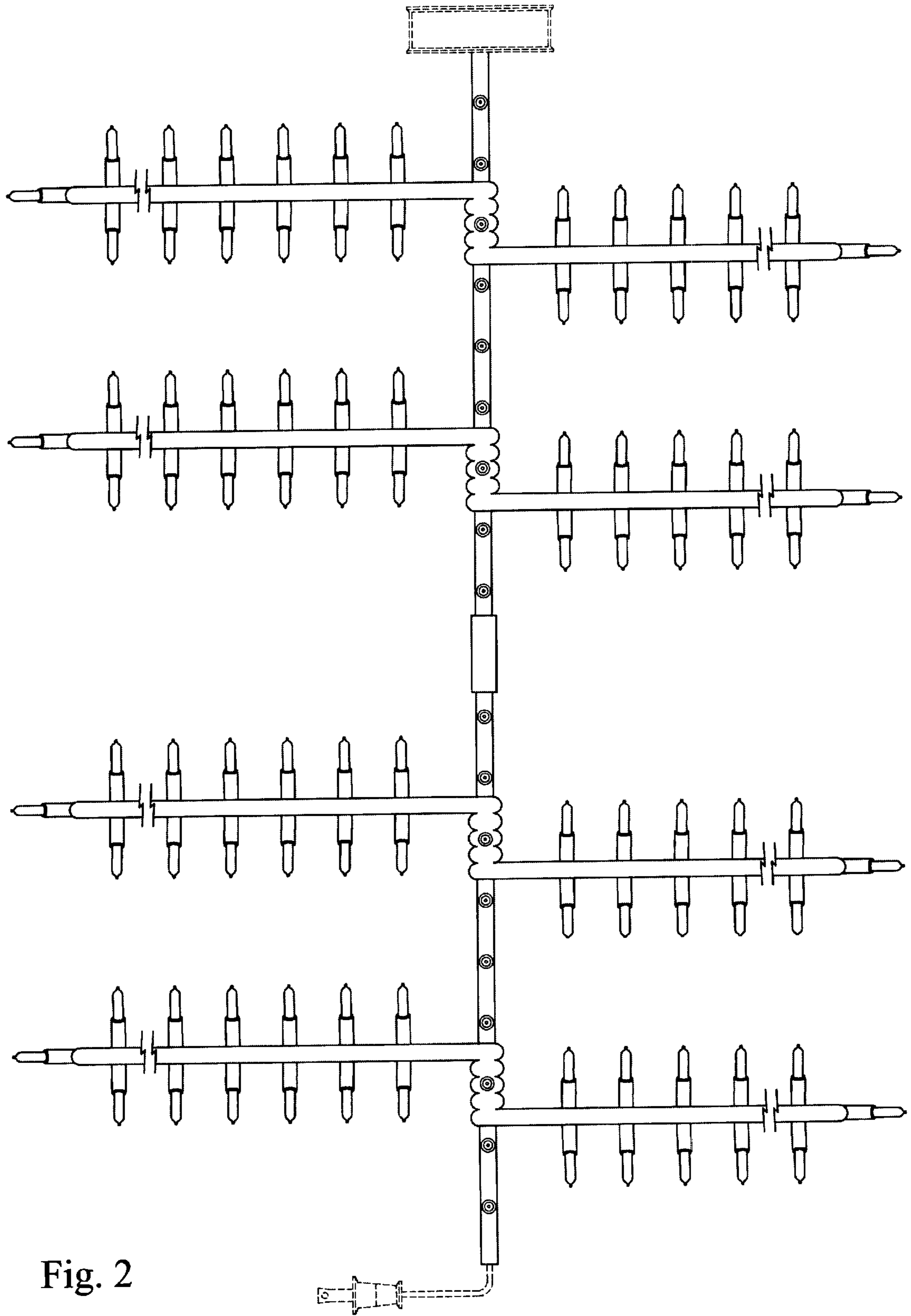


Fig. 2

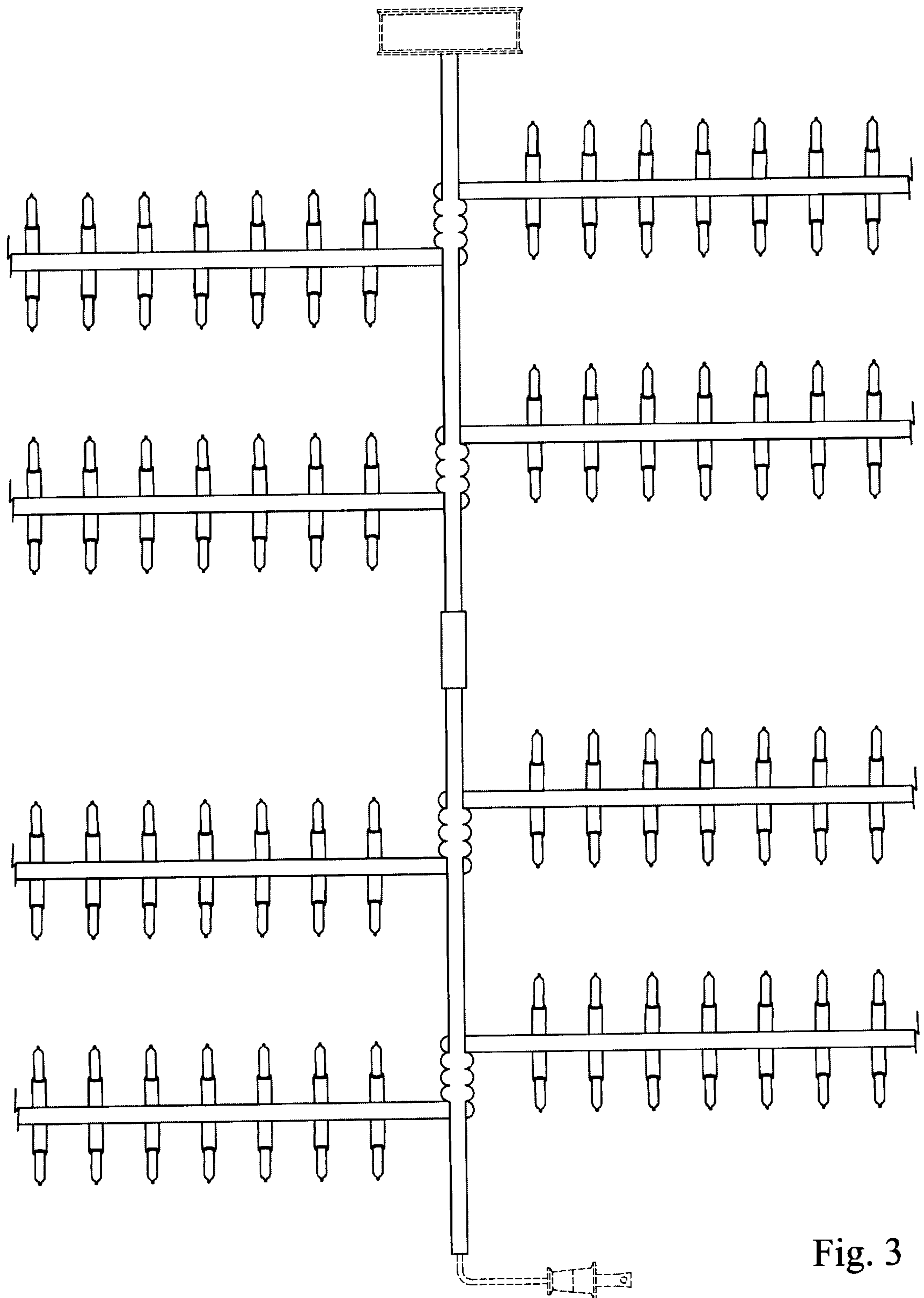


Fig. 3

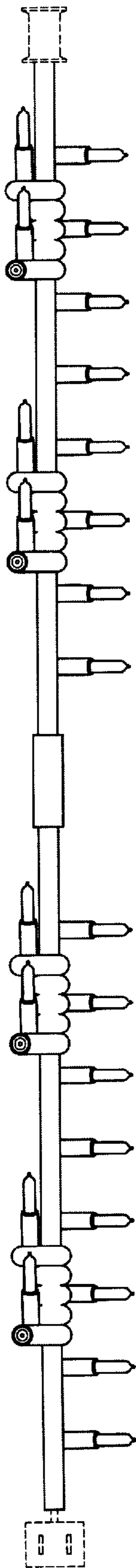


Fig. 4

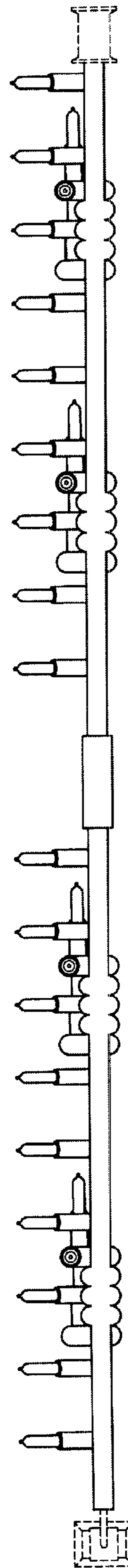


Fig. 5

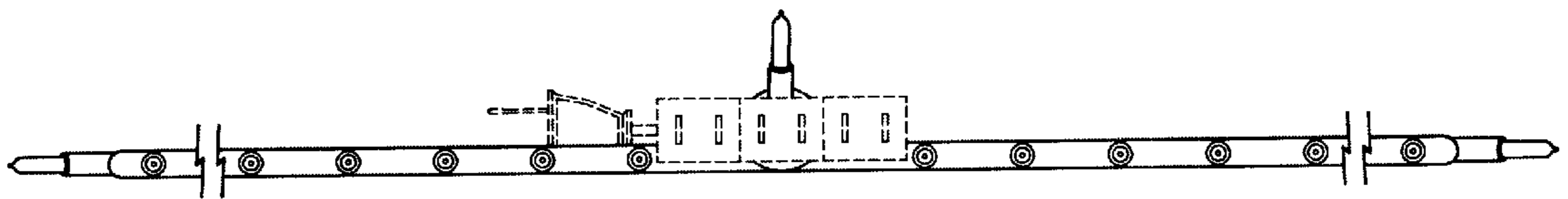


Fig. 6

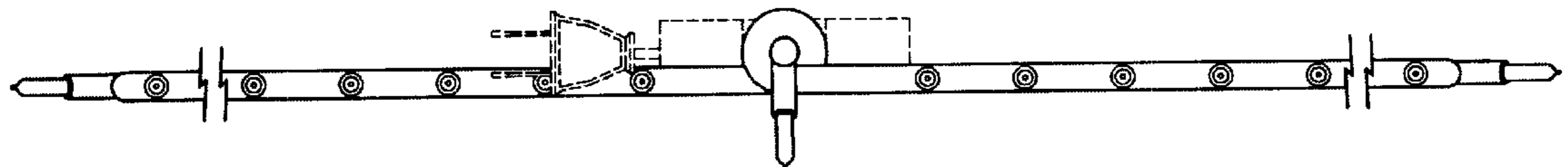


Fig. 7