



US00D477423S

(12) **United States Design Patent**  
**Campbell et al.**

(10) **Patent No.:** **US D477,423 S**

(45) **Date of Patent:** **\*\* Jul. 15, 2003**

(54) **DISPLAY PANEL**

(75) Inventors: **Rodney S. Campbell**, Dover, OH (US);  
**Randy Breyer**, Dover, OH (US)

(73) Assignee: **Commercial and Architectural Products, Inc.**, Dover, OH (US)

(\*\*) Term: **14 Years**

(21) Appl. No.: **29/158,348**

(22) Filed: **Apr. 3, 2002**

(51) **LOC (7) Cl.** ..... **25-01**

(52) **U.S. Cl.** ..... **D25/138**

(58) **Field of Search** ..... D25/138; D6/449,  
D6/466, 467, 468; 211/94.01, 87.01, 90.01,  
13.1, 85.26; 248/223.41, 220.21, 221.12,  
909; 52/506.05, 506.08

(56) **References Cited**

**U.S. PATENT DOCUMENTS**

2,643,840 A	6/1953	Lanman	
3,235,218 A	2/1966	Graham	
3,502,222 A	3/1970	Crafoord	211/40
4,591,058 A	5/1986	Amstutz et al.	211/94
4,615,448 A	10/1986	Johnstonbaugh	211/94
4,817,900 A	4/1989	Whittington et al.	248/225.1
4,844,266 A	7/1989	Small et al.	211/88
4,944,416 A	7/1990	Petersen et al.	211/87
5,360,121 A	11/1994	Sothman	211/87
5,375,802 A	* 12/1994	Branham, II	248/221.11
5,390,462 A	* 2/1995	Kreiter	52/506.05
5,484,067 A	1/1996	Sothman	211/87

D414,567 S	9/1999	Burt et al.	D25/123
6,065,262 A	5/2000	Motta	52/582.1
D444,577 S	7/2001	Neuhofer, Jr.	D25/138

\* cited by examiner

*Primary Examiner*—Janice E. Seeger

(74) *Attorney, Agent, or Firm*—Pearne & Gordon LLP

(57) **CLAIM**

The ornamental design for a display panel, as shown and described.

**DESCRIPTION**

FIG. 1 is a perspective view of a display panel showing our new design;

FIG. 2 is a side elevational view thereof;

FIG. 3 is a front elevational view thereof;

FIG. 4 is a perspective view showing the panel of FIG. 1 having inserts or liners mounted in the grooves in accordance with a second embodiment of the invention;

FIG. 5 is a side elevational view thereof;

FIG. 6 is a front elevational view thereof;

FIG. 7 is a perspective view similar to FIG. 4 having modified inserts or liners mounted in the grooves in accordance with a third embodiment of the invention;

FIG. 8 is a side elevational view thereof;

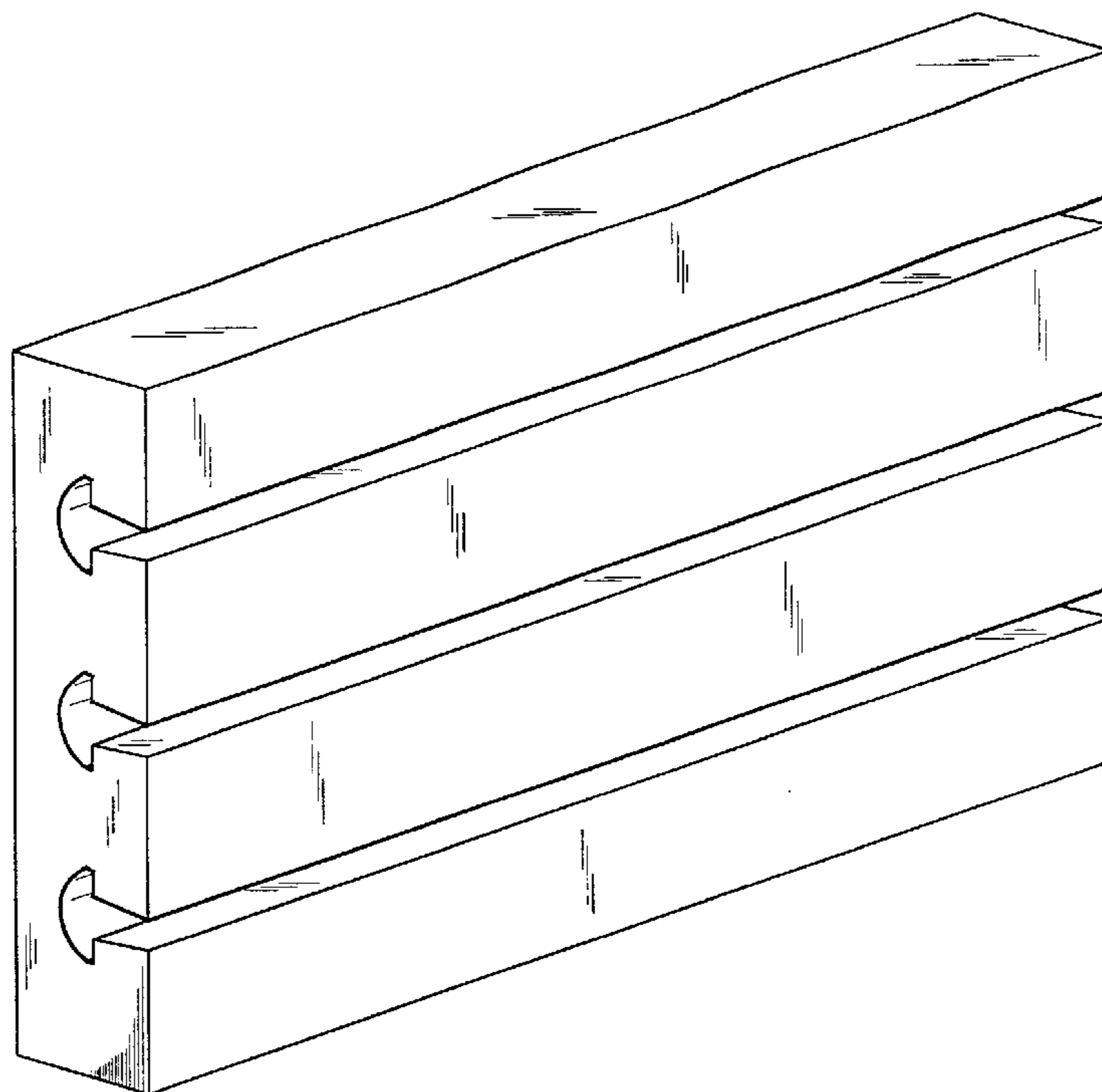
FIG. 9 is a front elevational view thereof;

FIG. 10 is a perspective view similar to FIG. 1 of a display panel having modified grooves in accordance with a fourth embodiment of the invention;

FIG. 11 is a side elevational view thereof; and,

FIG. 12 is a front elevational view thereof.

**1 Claim, 4 Drawing Sheets**



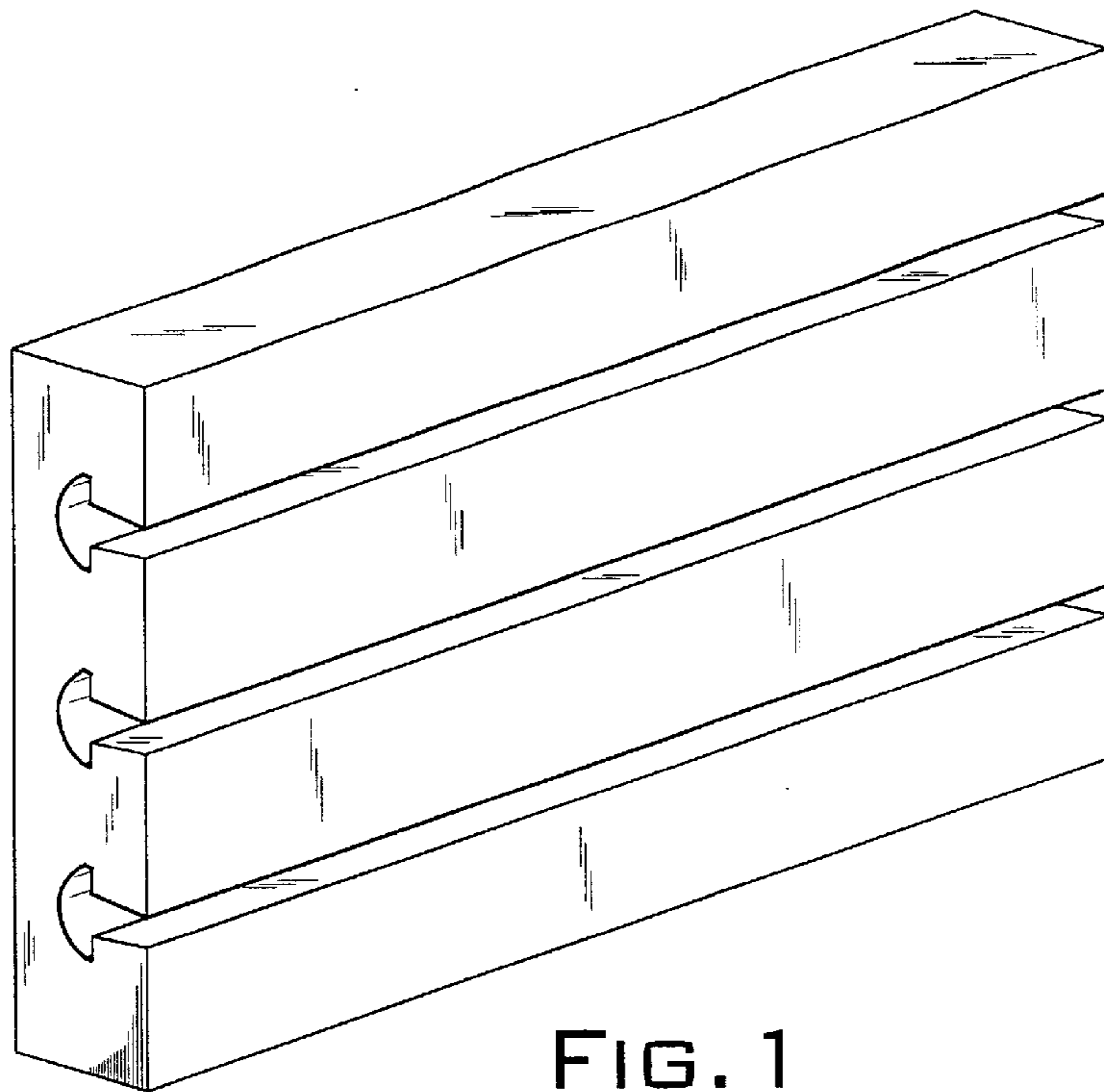


FIG. 1

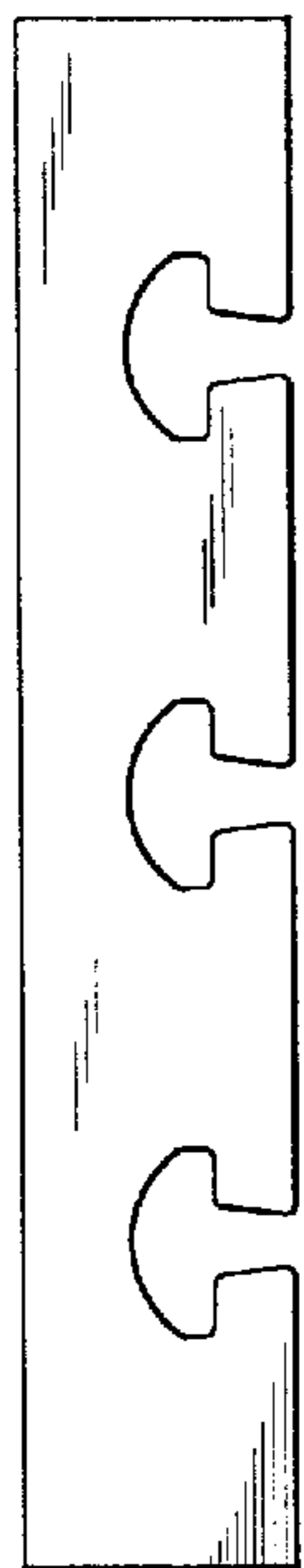


FIG. 2

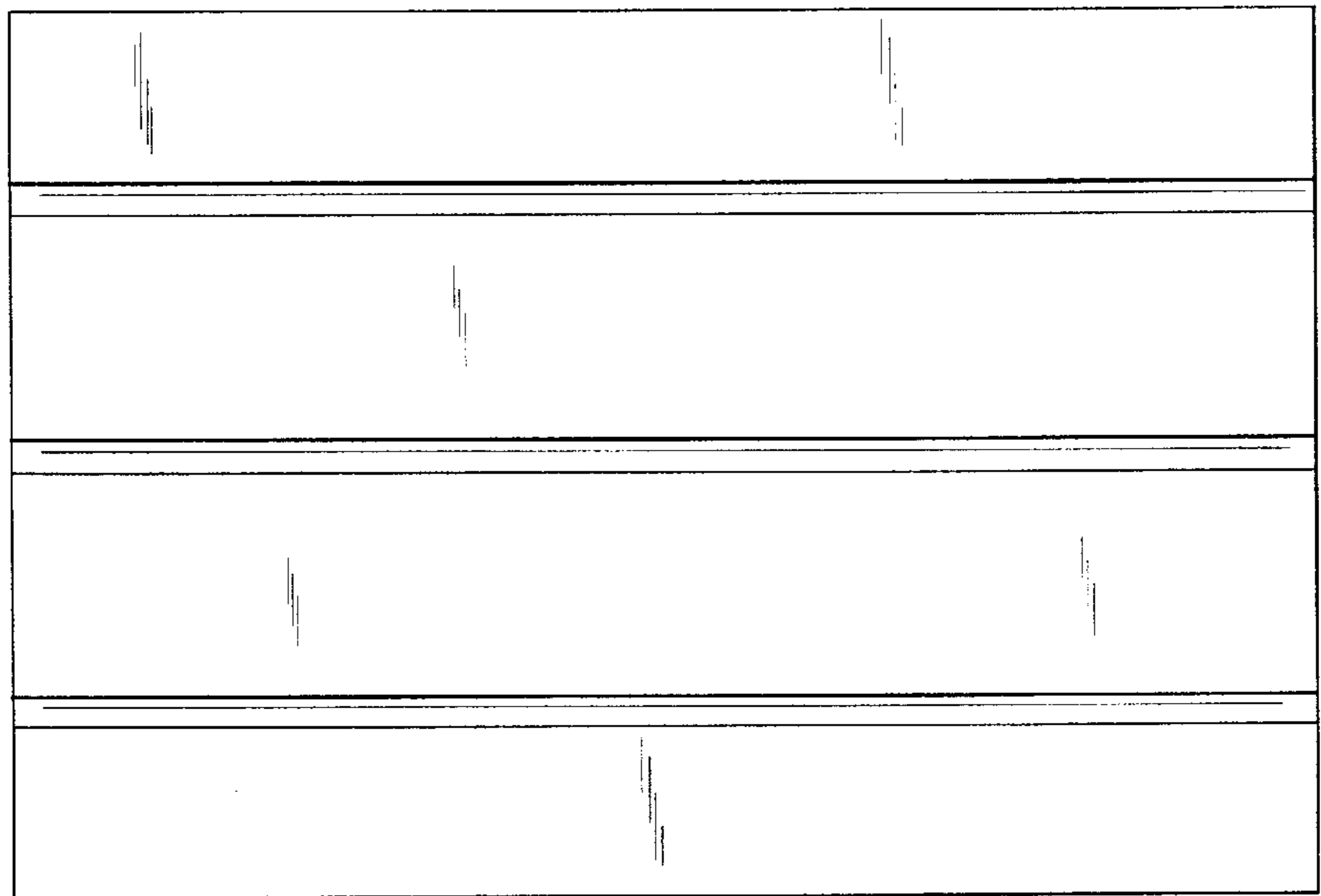


FIG. 3

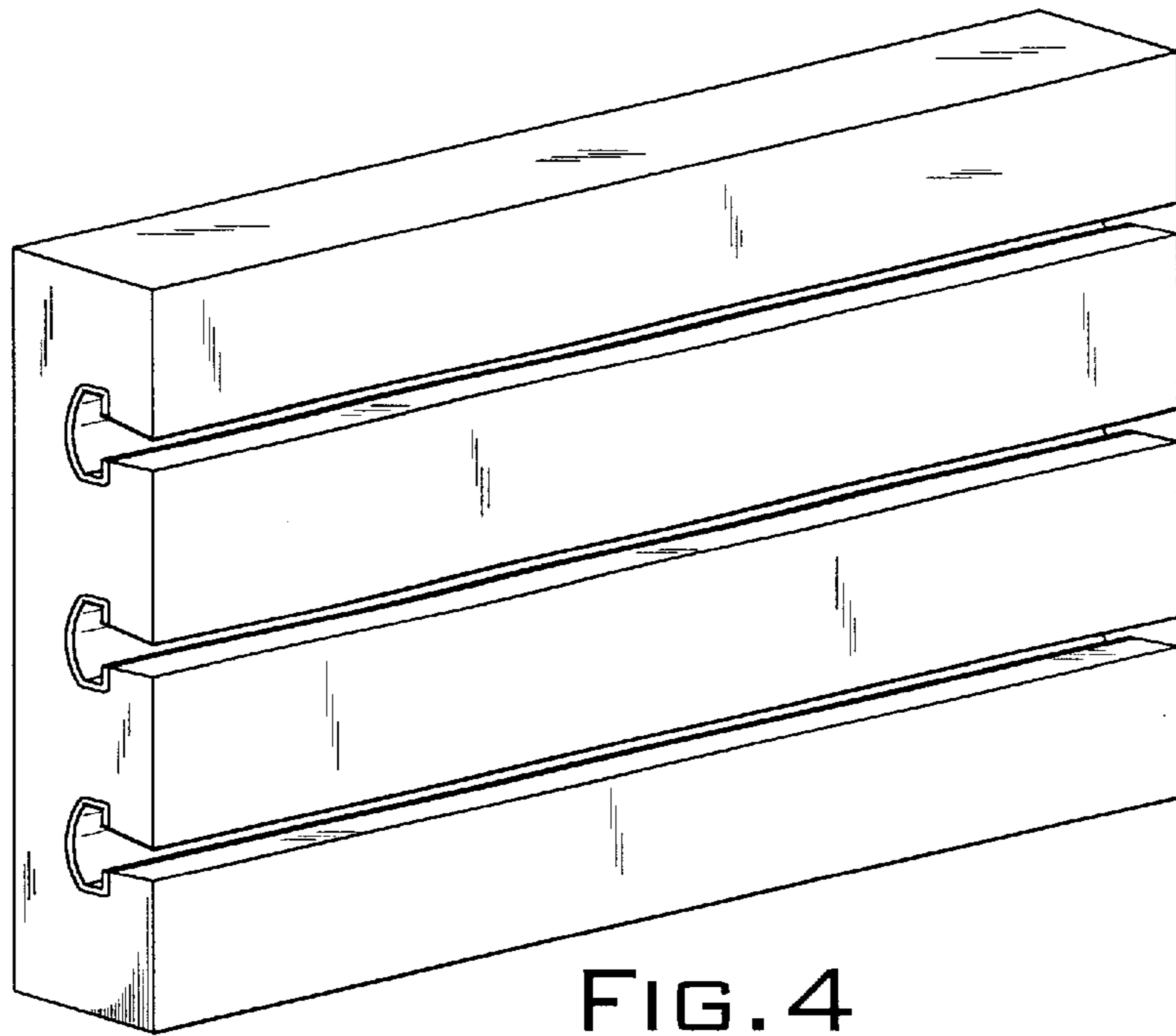


FIG. 4

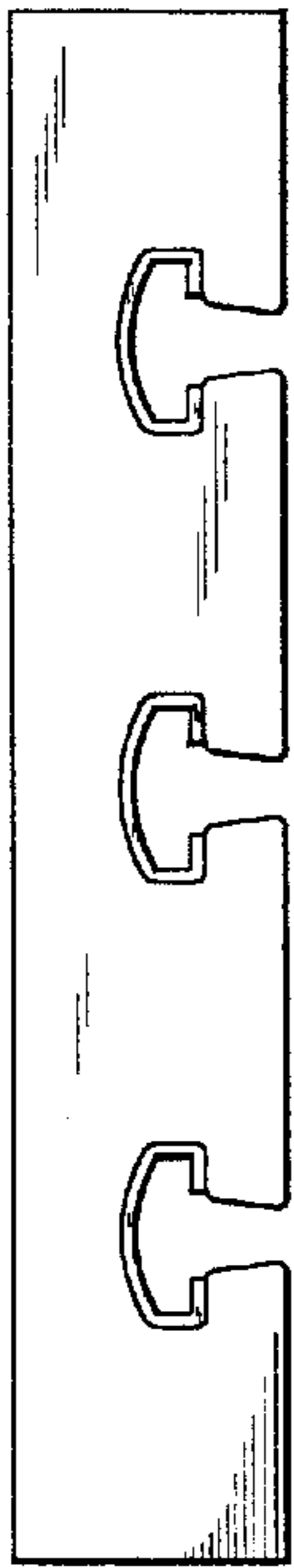


FIG. 5

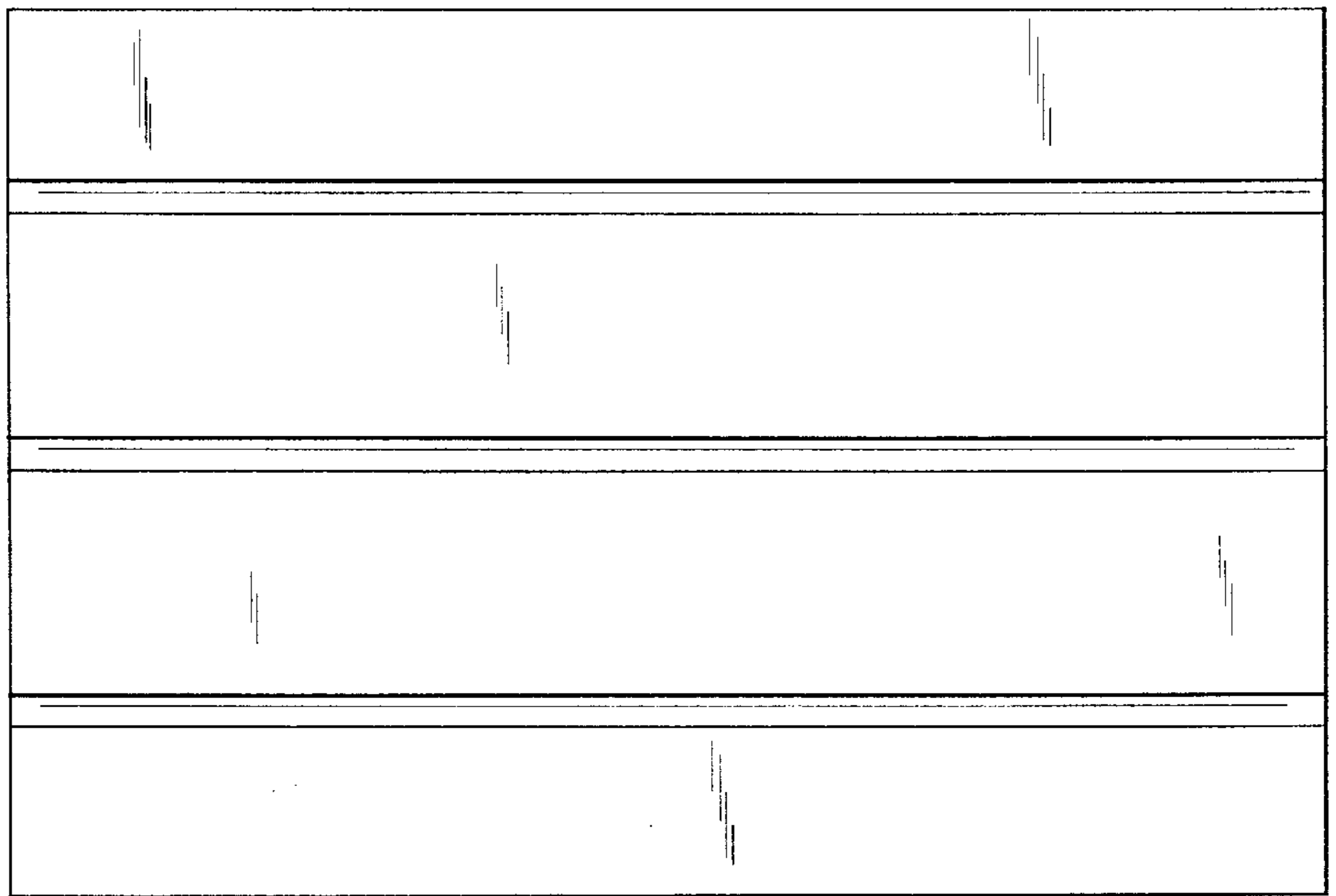


FIG. 6

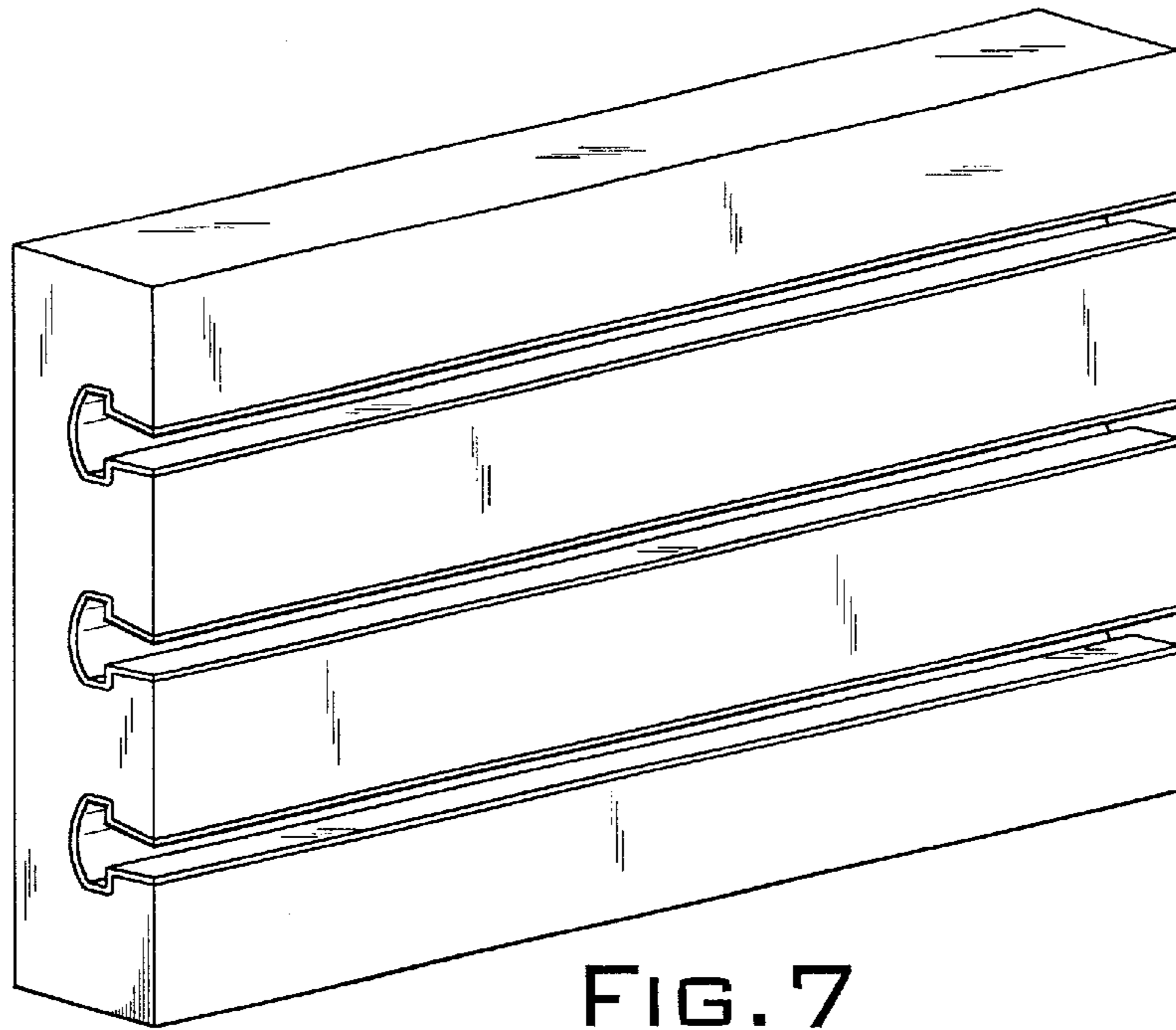


FIG. 7

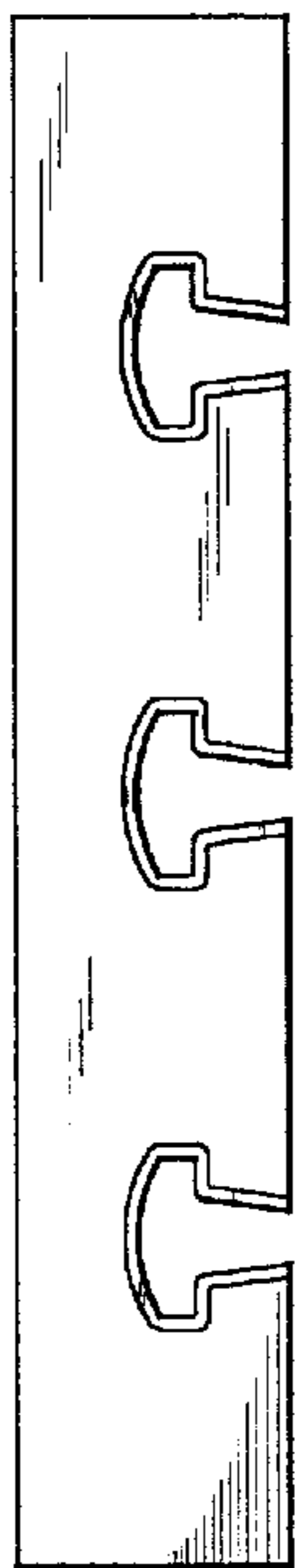


FIG. 8

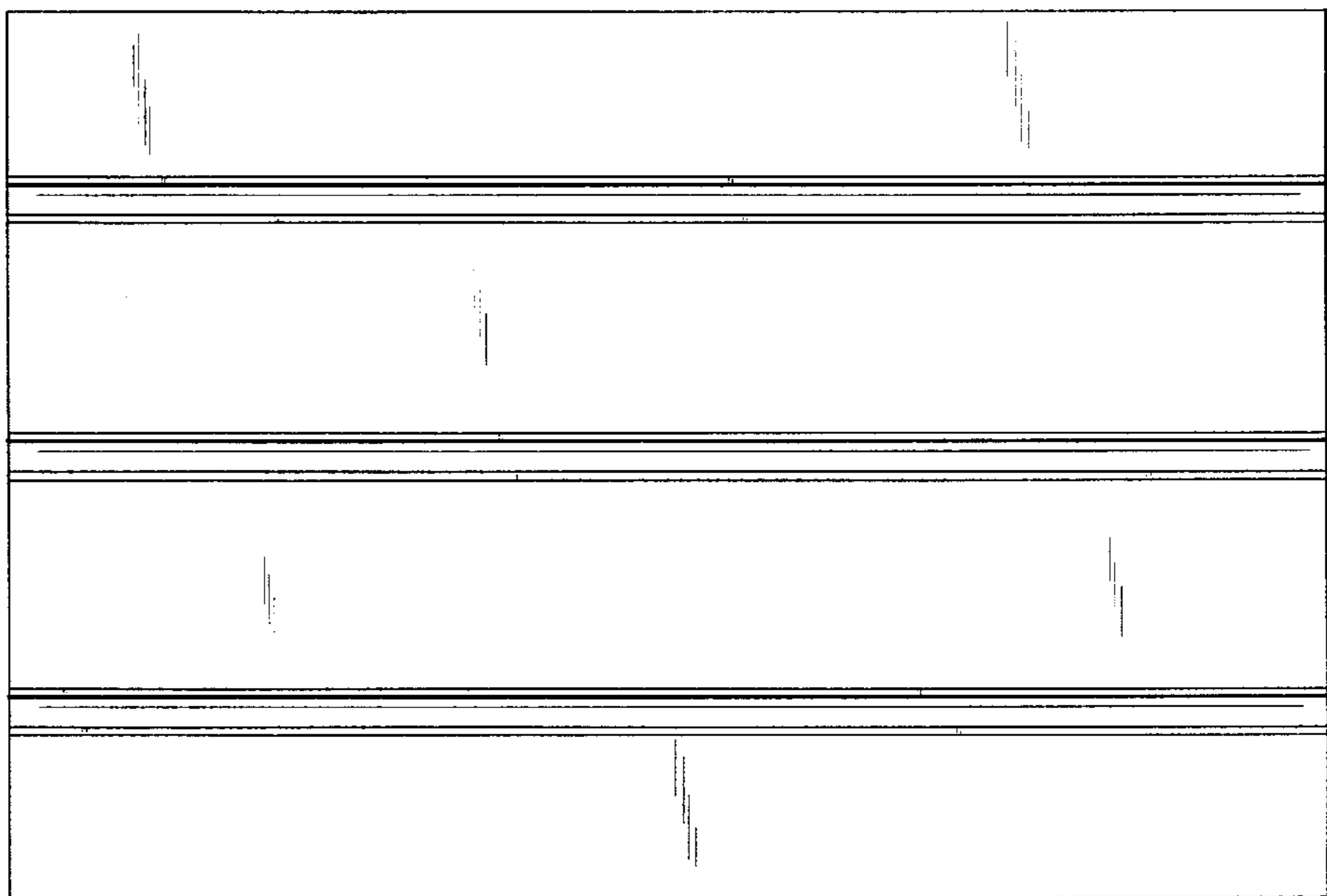


FIG. 9

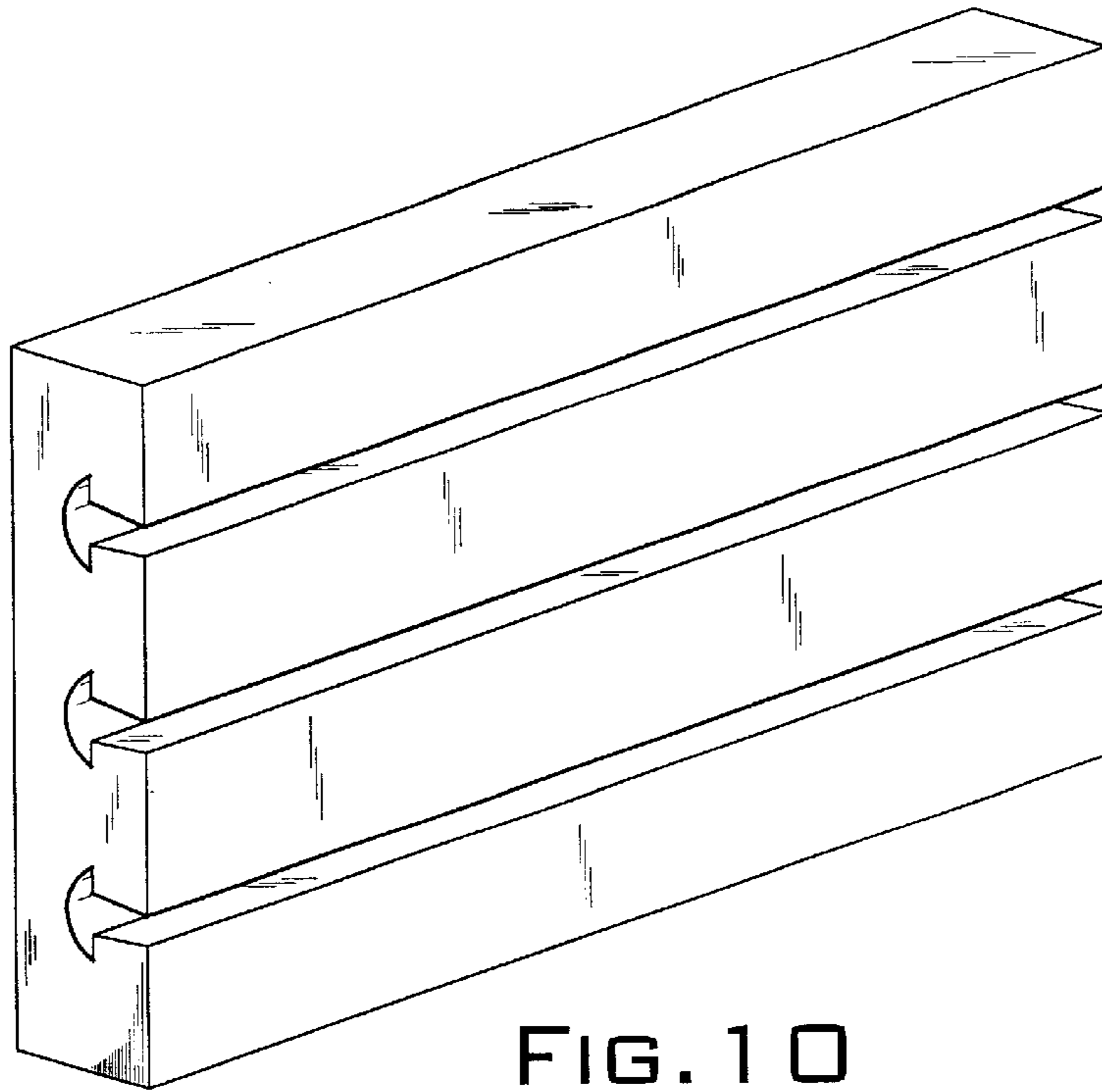


FIG. 10

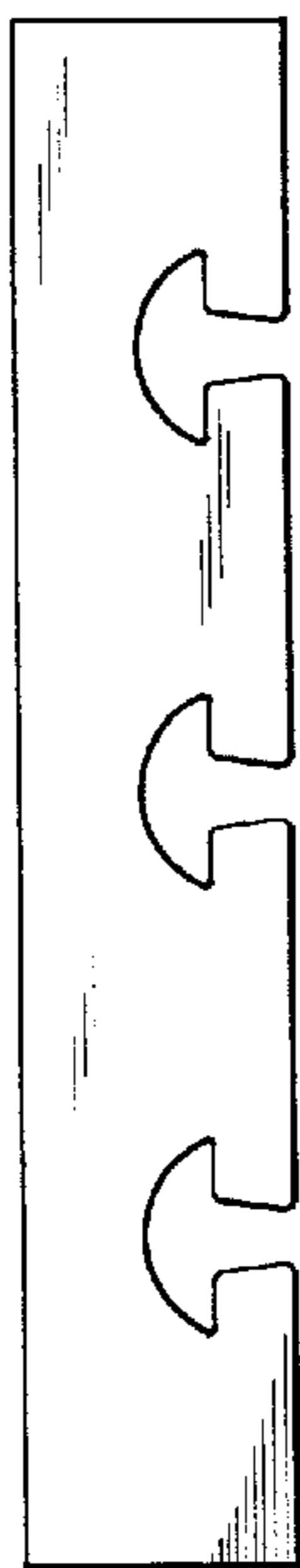


FIG. 11

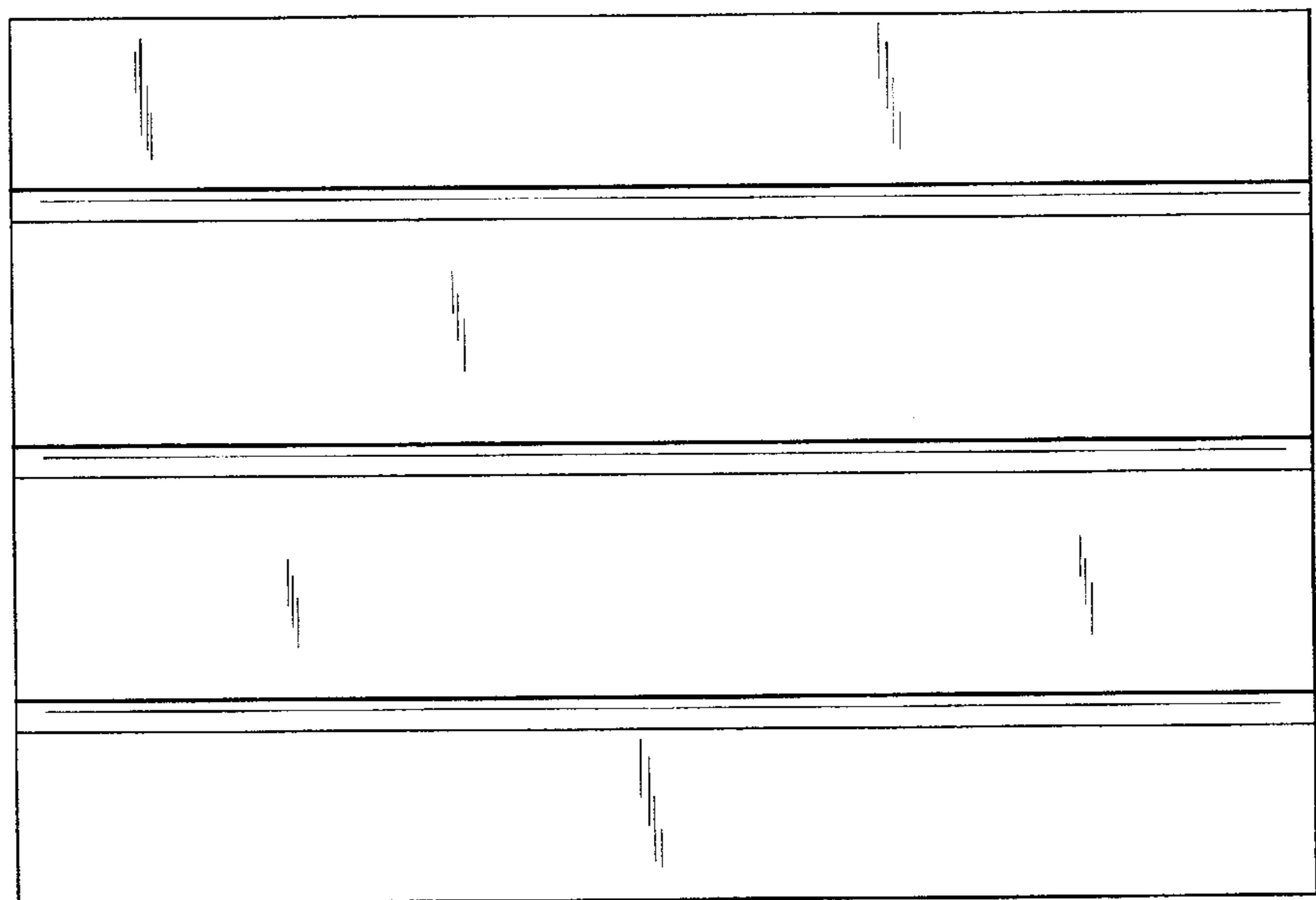


FIG. 12