



US00D477421S

(12) **United States Design Patent**
Goss et al.

(10) **Patent No.:** **US D477,421 S**

(45) **Date of Patent:** **** Jul. 15, 2003**

(54) **WINDOW COMPONENT EXTRUSION**

D374,091 S * 9/1996 Hart D25/124
D418,924 S 1/2000 Lockbeam D25/124

(75) Inventors: **Lorane Goss**, Slippery Rock, PA (US);
Michael R. Fannon, Pecatonica, IL (US)

* cited by examiner

(73) Assignee: **Mikron Industries, Inc.**, Kent, WA (US)

Primary Examiner—Doris Clark
(74) *Attorney, Agent, or Firm*—Seed IP Law Group PLLC

(**) Term: **14 Years**

(57) **CLAIM**

(21) Appl. No.: **29/167,389**

The ornamental design for a window component extrusion, as shown and described.

(22) Filed: **Sep. 13, 2002**

(51) **LOC (7) Cl.** **25-01**

(52) **U.S. Cl.** **D25/124**

(58) **Field of Search** D25/124; 52/204.5, 52/204.56, 204.51, 230.3, 205.1, 202, 730.5, 731, 732, 738; 49/DIG. 2, 504, 505, 404, 413, 419, 407, 408

DESCRIPTION

FIG. 1 is a top right perspective view of the window component extrusion which is broken in the center indicating indefinite length; and,

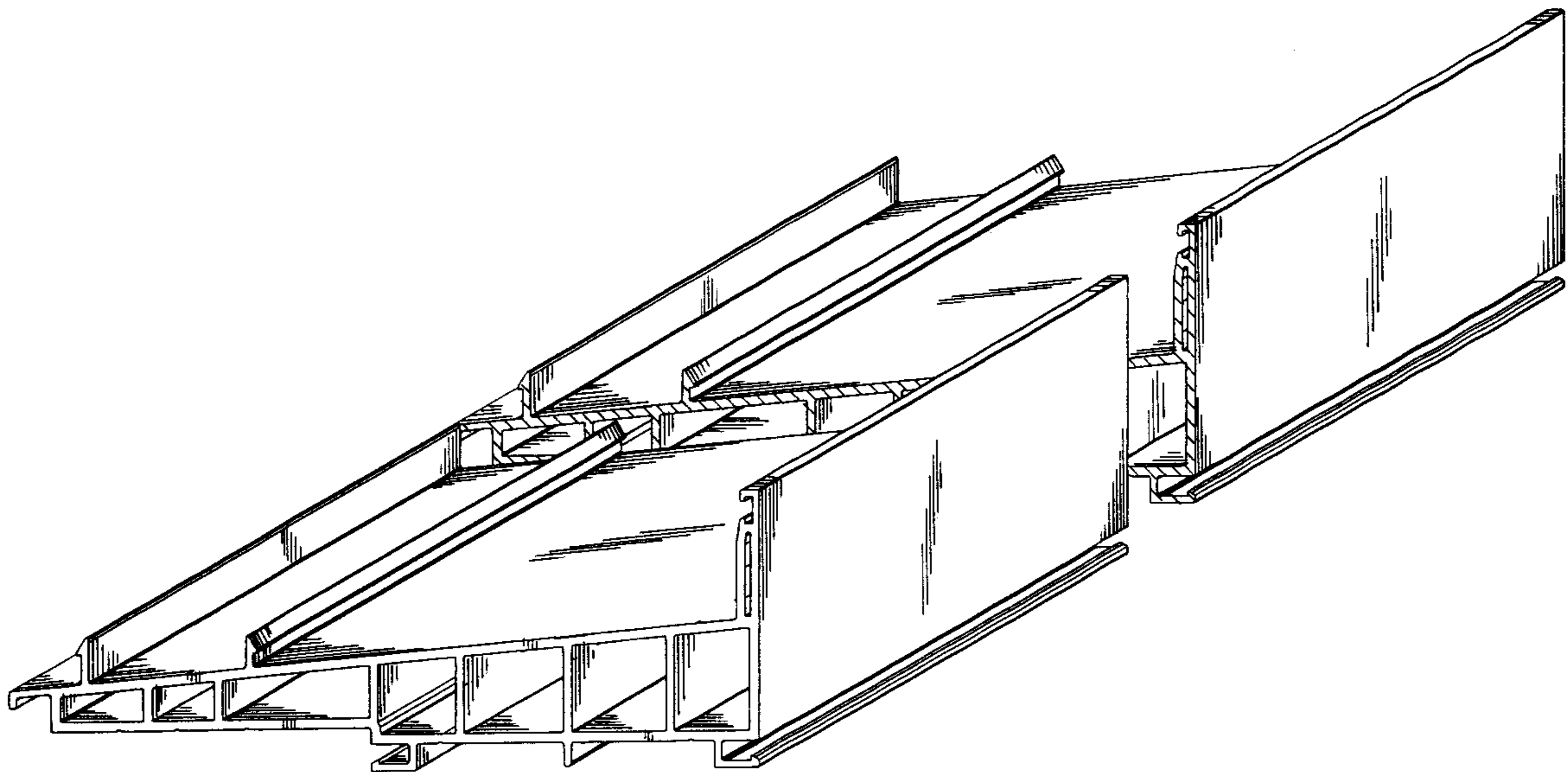
FIG. 2 is a bottom left perspective view of the window component extrusion shown in FIG. 1.

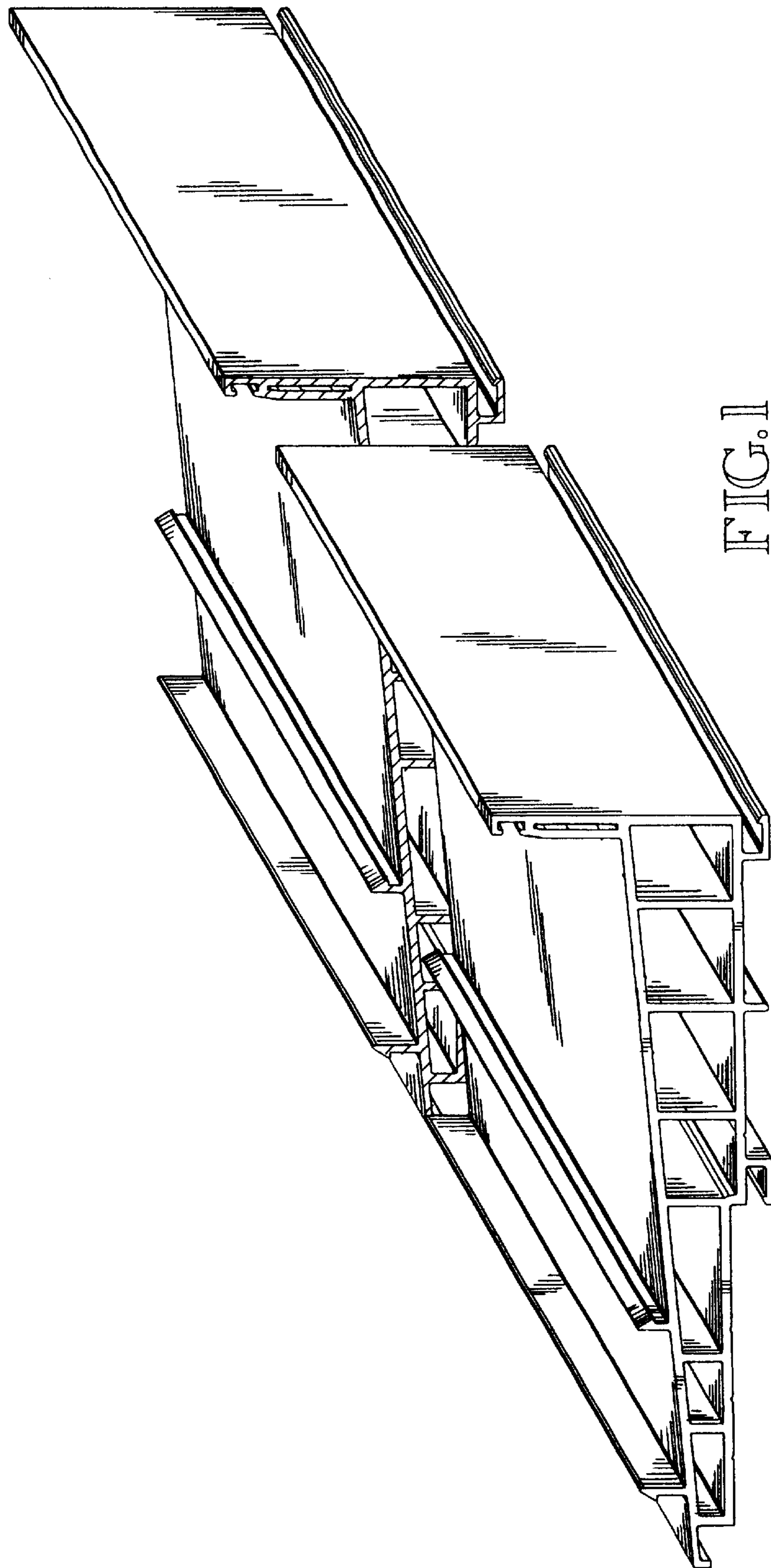
(56) **References Cited**

U.S. PATENT DOCUMENTS

D364,691 S 11/1995 Goss, Jr. D25/125

1 Claim, 2 Drawing Sheets





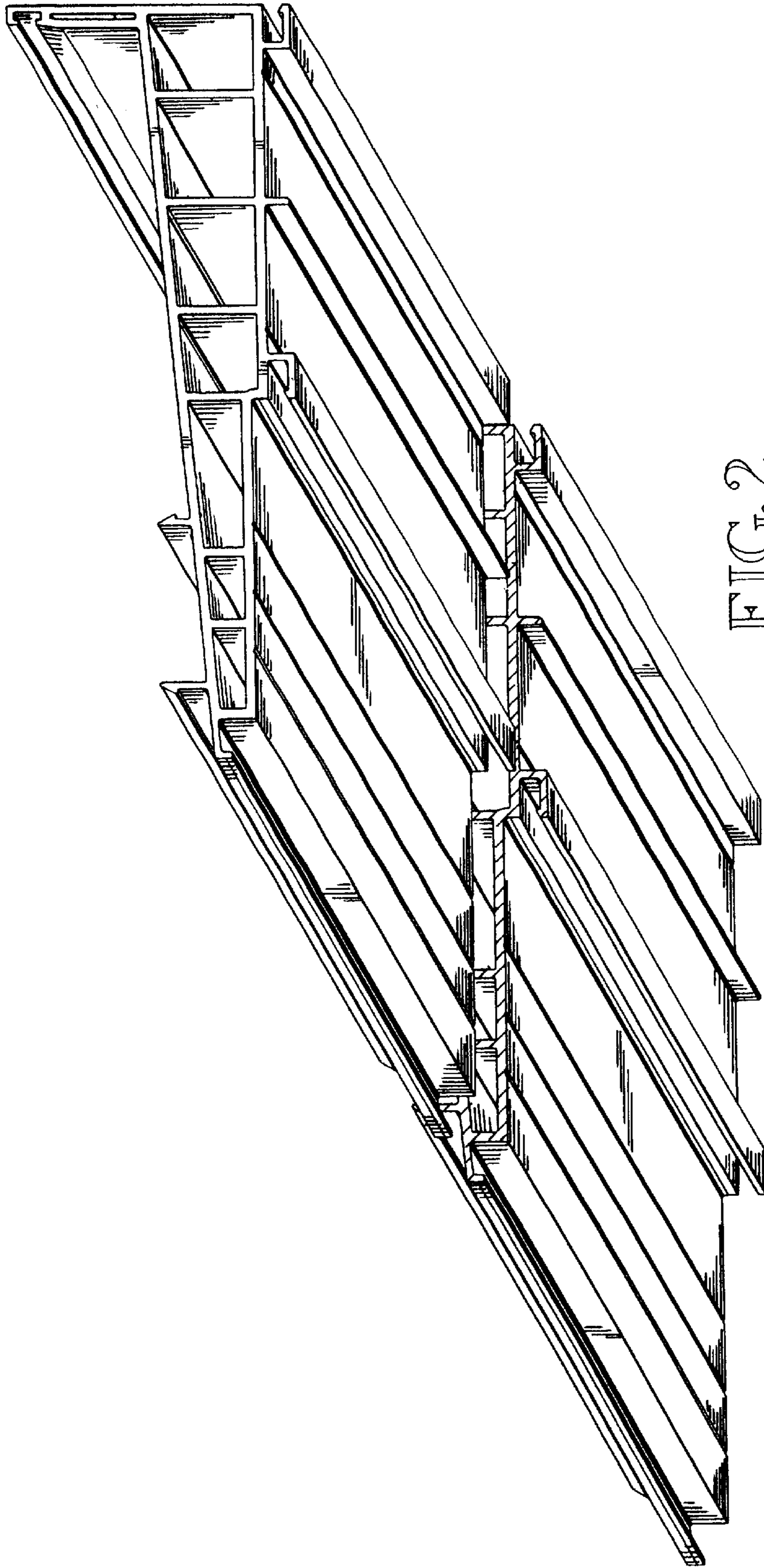


FIG. 2