



US00D477412S

(12) **United States Design Patent**
Miles

(10) **Patent No.:** **US D477,412 S**

(45) **Date of Patent:** **** Jul. 15, 2003**

- (54) **MAGNETIC ELBOW PATCH**
- (75) Inventor: **David Roger Miles, Kelowna (CA)**
- (73) Assignee: **Rampage Ventures Inc. (KY)**
- (**) Term: **14 Years**
- (21) Appl. No.: **29/166,273**
- (22) Filed: **Aug. 26, 2002**
- (51) **LOC (7) Cl.** **24-04**
- (52) **U.S. Cl.** **D24/200**
- (58) **Field of Search** D24/200, 189;
600/9, 10, 11, 12, 13, 14, 15

- D426,640 S * 6/2000 Bell et al. D24/200
- 6,093,143 A * 7/2000 Nagler 600/15
- 6,344,021 B1 * 2/2002 Juster et al. 600/15

* cited by examiner

Primary Examiner—Stella Reid

(74) *Attorney, Agent, or Firm*—Oyen Wiggs Green & Mutala

(57) **CLAIM**

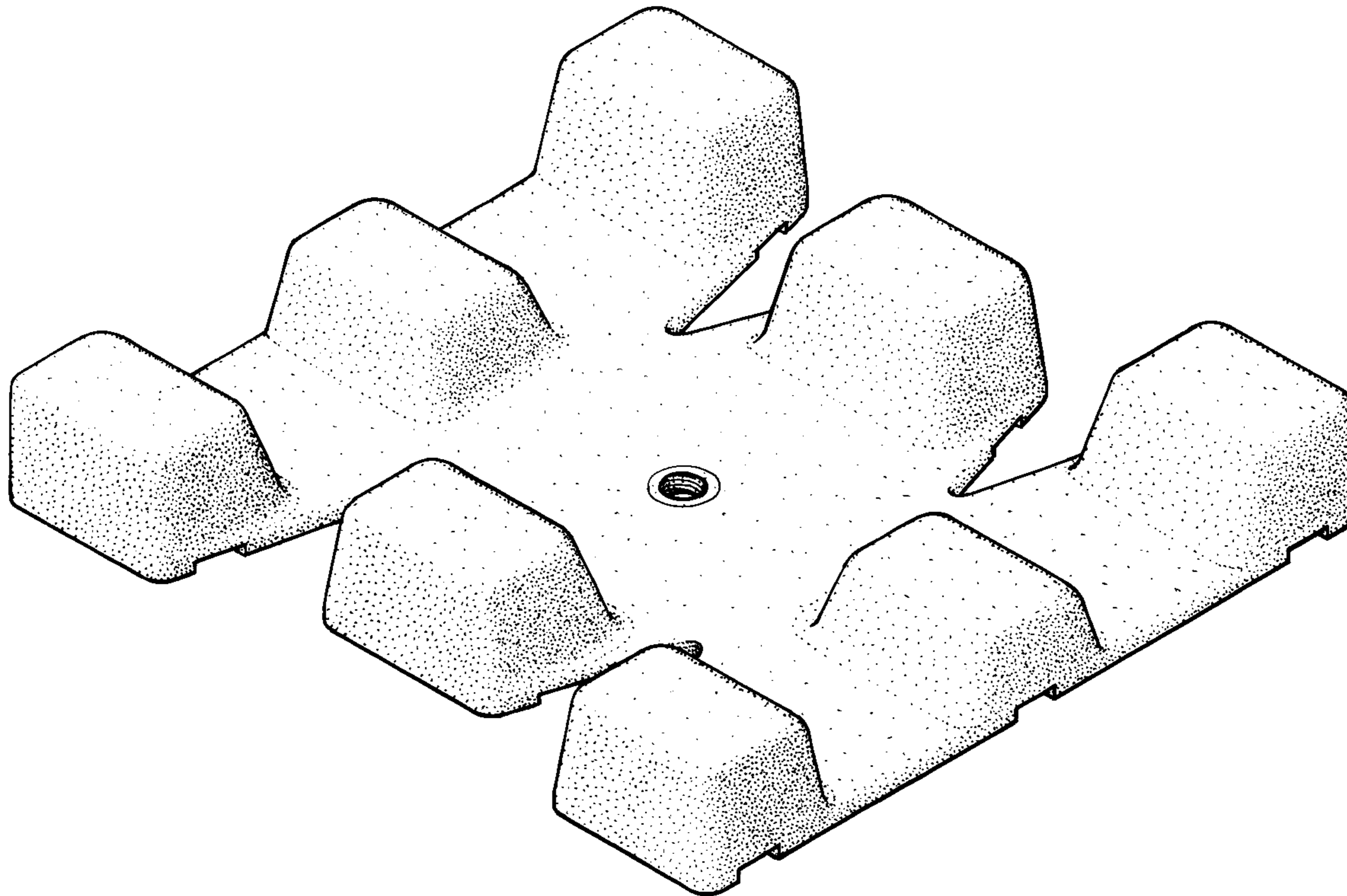
The ornamental design for a magnetic elbow patch, as shown and described.

DESCRIPTION

- FIG. 1 is a top plan view thereof;
- FIG. 2 is a bottom plan view thereof;
- FIG. 3 is a front elevation view thereof;
- FIG. 4 is a rear elevation view thereof;
- FIG. 5 is a right side elevation view thereof;
- FIG. 6 is a left side elevation view thereof; and,
- FIG. 7 is a top front perspective view thereof.

- (56) **References Cited**
- U.S. PATENT DOCUMENTS**
- 3,921,620 A * 11/1975 Nakayama 600/15
- D261,936 S * 11/1981 Sumiyasu D24/211
- 4,391,270 A * 7/1983 Uragami 600/15
- 5,993,375 A * 11/1999 Engel 600/15

1 Claim, 4 Drawing Sheets



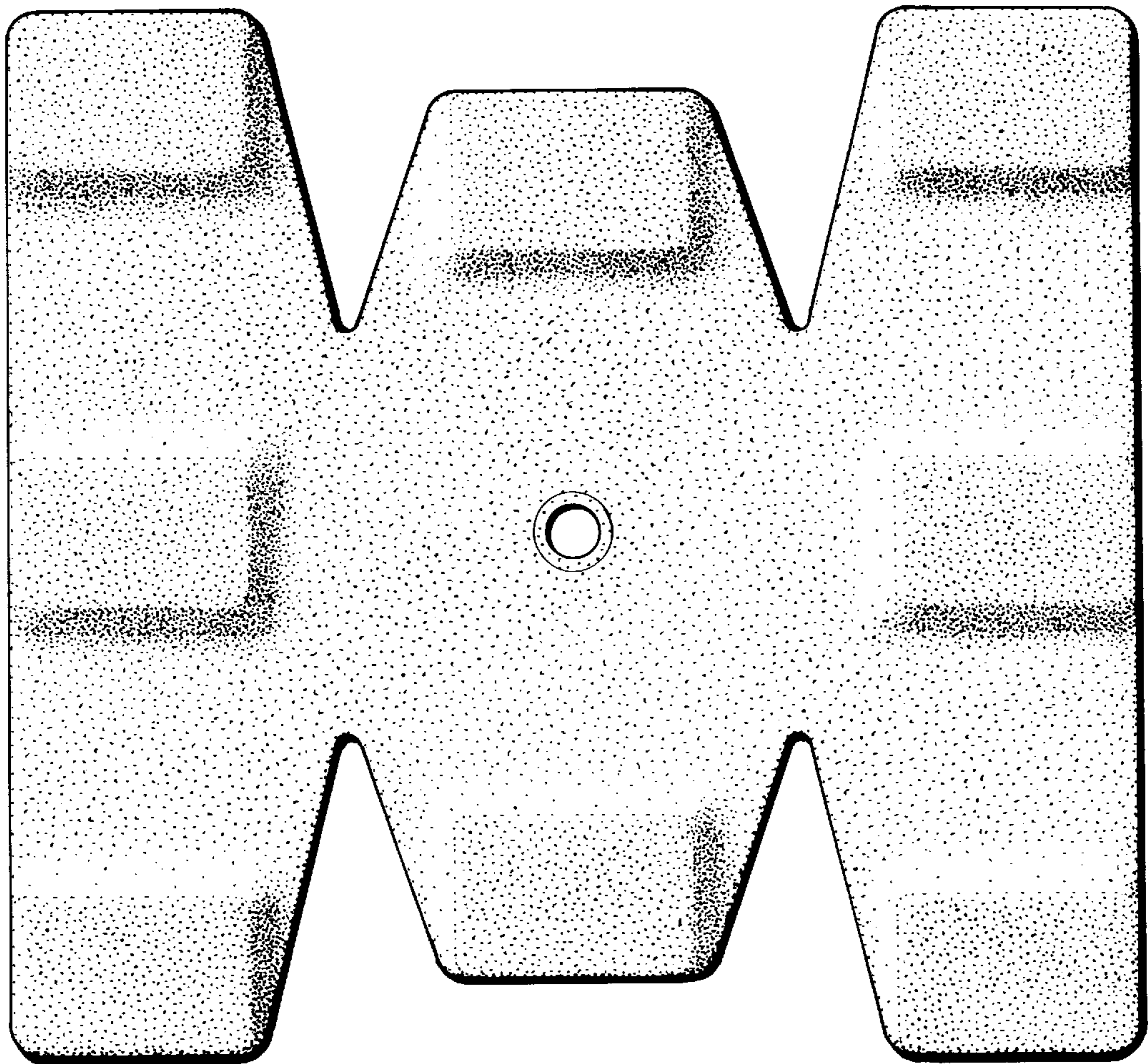


FIG. 1

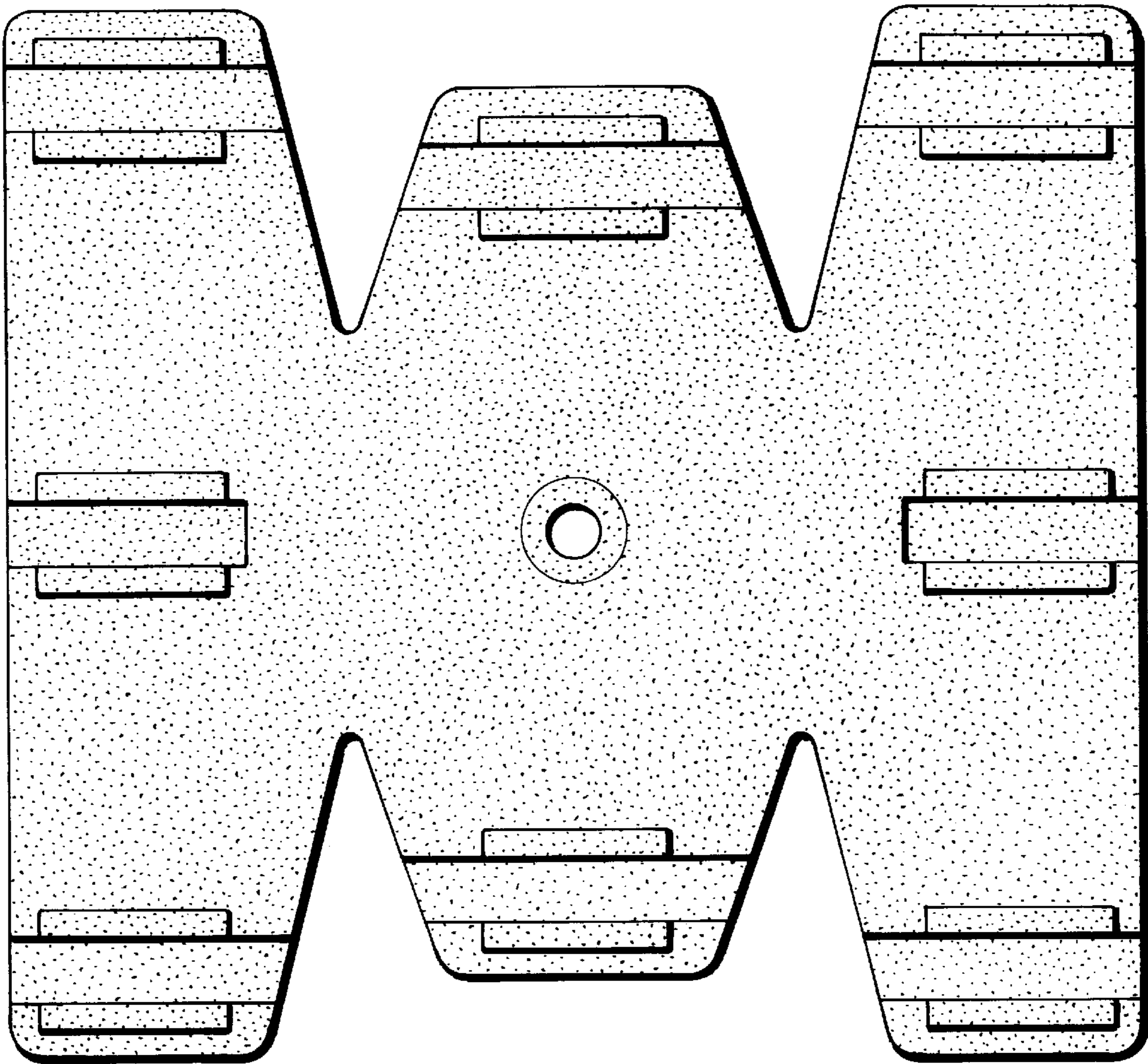


FIG. 2

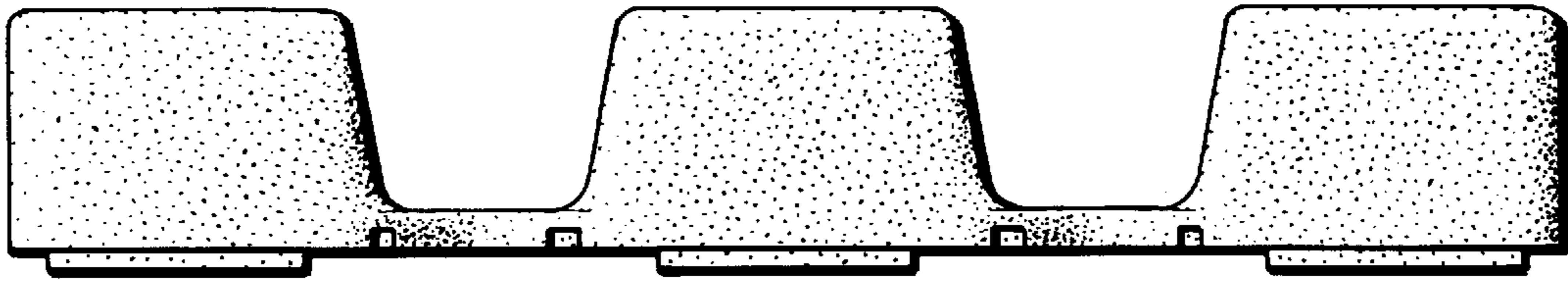


FIG. 3

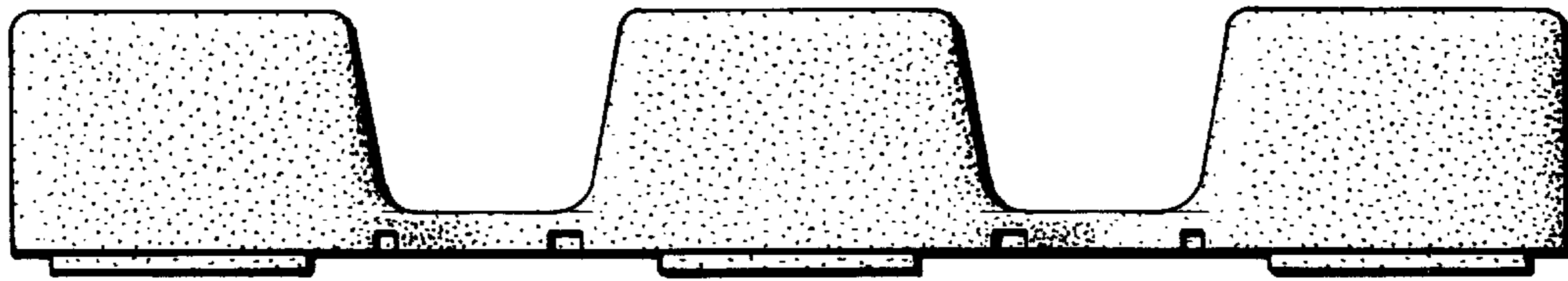


FIG. 4

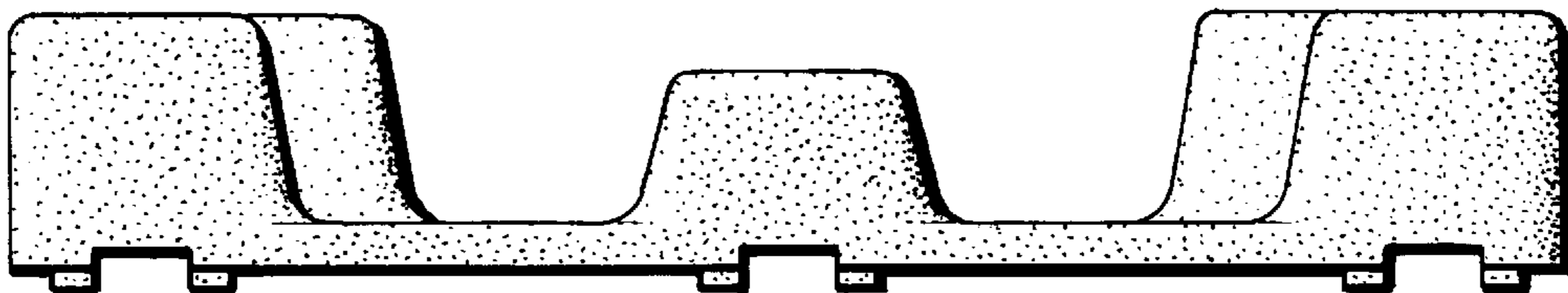


FIG. 5

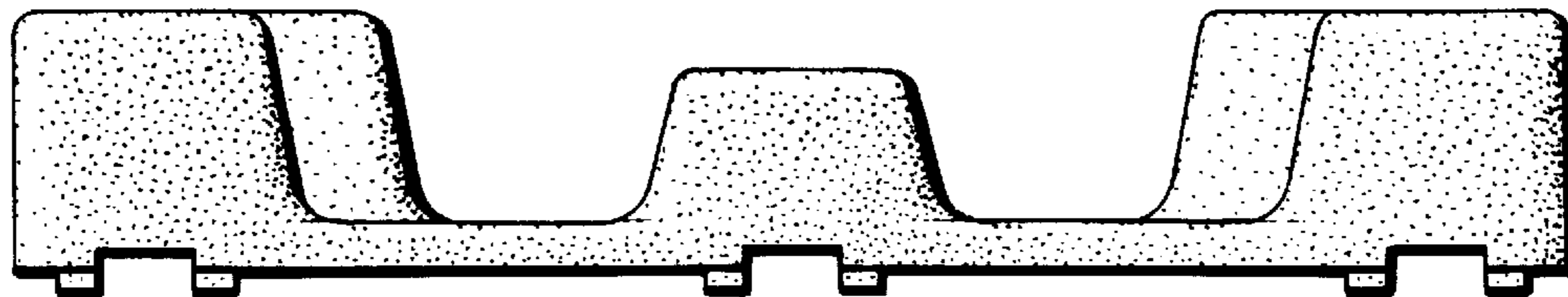


FIG. 6

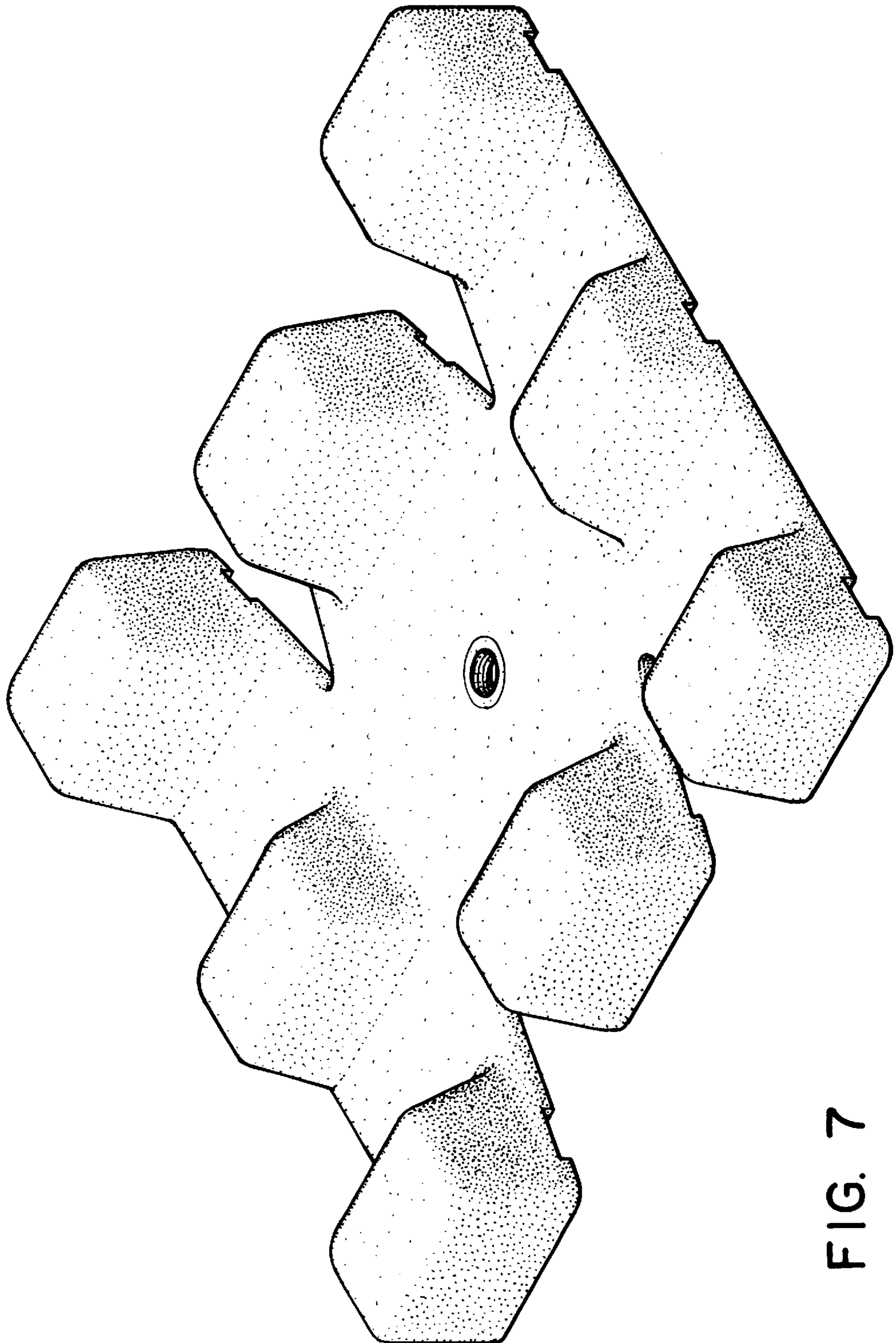


FIG. 7