



US00D477406S

(12) **United States Design Patent**  
**Schröer**

(10) **Patent No.:** **US D477,406 S**

(45) **Date of Patent:** **\*\* Jul. 15, 2003**

(54) **HEAD CLAMP**

5,366,475 A \* 11/1994 Voss et al. .... 606/204  
5,662,679 A \* 9/1997 Voss et al. .... 606/151

(75) Inventor: **Fred Schröer**, Amsterdam (NL)

\* cited by examiner

(73) Assignee: **Three Tees International Investment B.V.** (NL)

*Primary Examiner*—Ian Simmons

(\*\*) Term: **14 Years**

(74) *Attorney, Agent, or Firm*—Ostrolenk, Faber, Gerb & Soffen, LLP

(21) Appl. No.: **29/142,566**

(57) **CLAIM**

(22) Filed: **May 29, 2001**

The ornamental design for a head clamp, as shown and described.

(30) **Foreign Application Priority Data**

**DESCRIPTION**

Nov. 29, 2000 (NL) ..... 77773-00

FIG. 1 is a side view of a head clamp, showing my new design;  
FIG. 2 is a top perspective view thereof;  
FIG. 3 is a bottom perspective view thereof;  
FIG. 4 is a side view thereof in another condition;  
FIG. 5 is a bottom perspective view thereof;  
FIG. 6 is a top perspective view thereof;  
FIG. 7 is a side view thereof in still another condition;  
FIG. 8 is a bottom perspective view thereof; and,  
FIG. 9 is a bottom perspective view thereof in still another condition.

(51) **LOC (7) Cl.** ..... **24-02**

(52) **U.S. Cl.** ..... **D24/143**

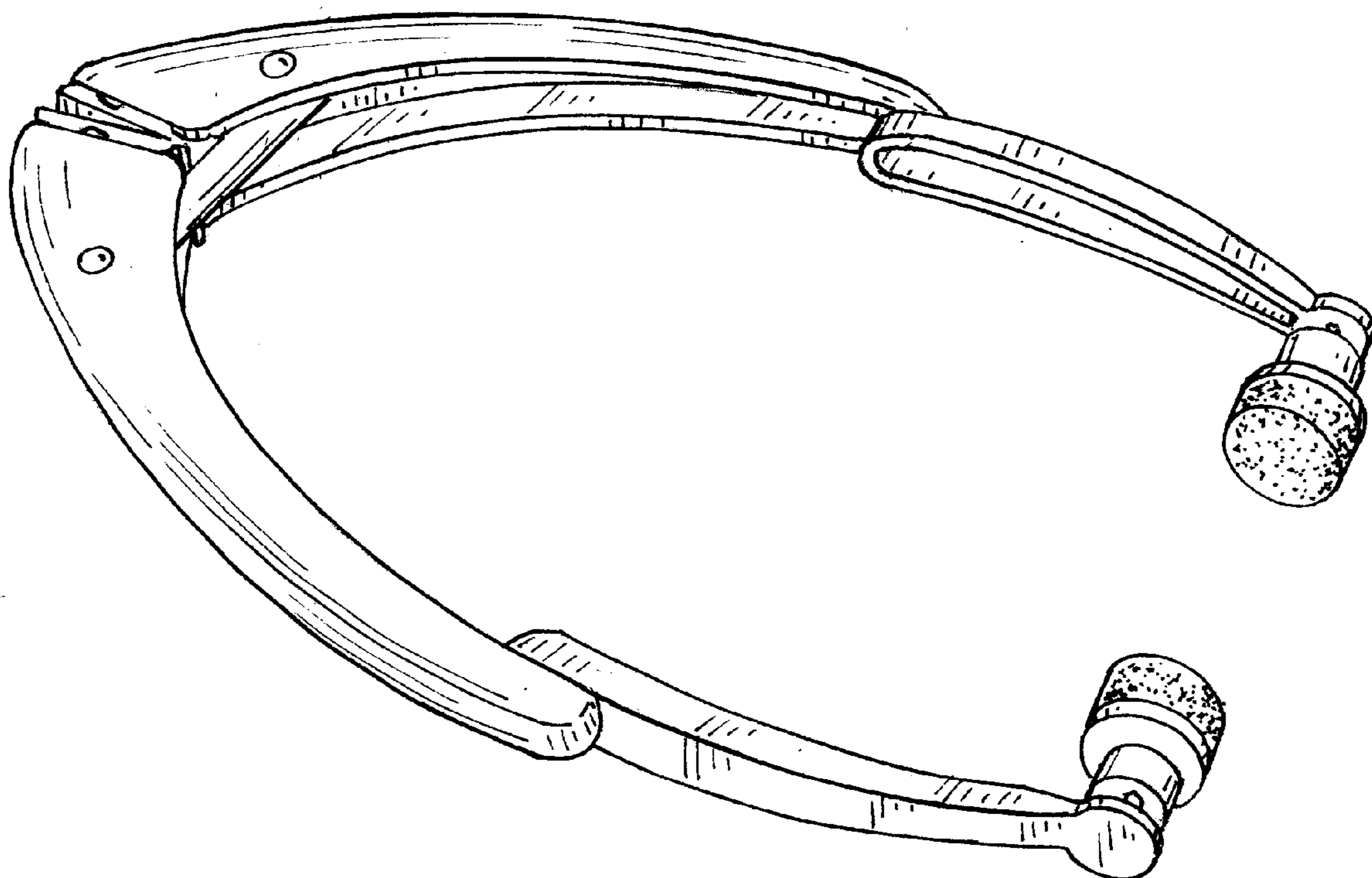
(58) **Field of Search** ..... D24/143, 133,  
D24/128, 200; 606/204, 189, 151, 201;  
601/135

(56) **References Cited**

**U.S. PATENT DOCUMENTS**

4,549,536 A \* 10/1985 Varjabedian ..... 606/189  
5,094,227 A \* 3/1992 Eglauf et al. .... 606/204

**1 Claim, 5 Drawing Sheets**



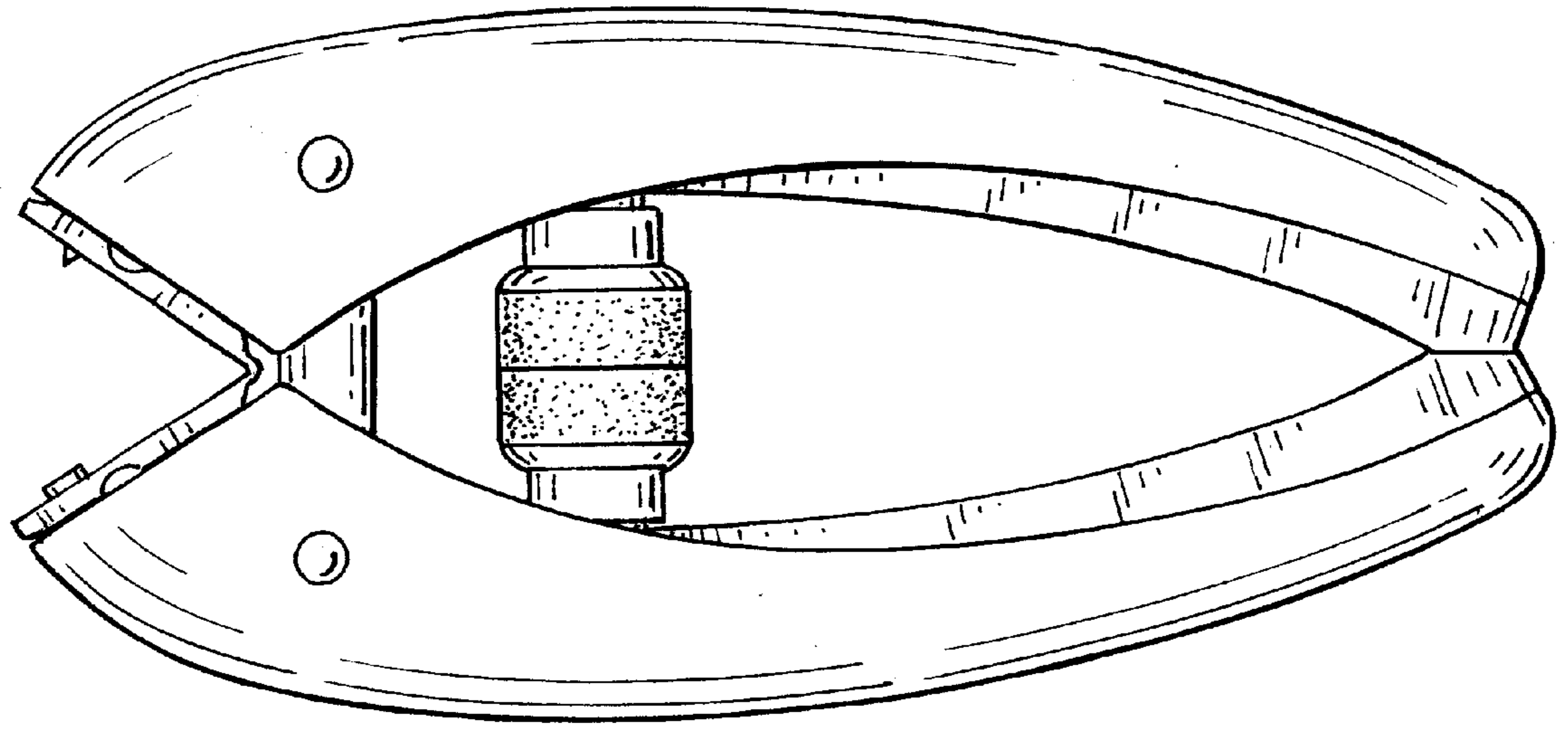


FIG. 1

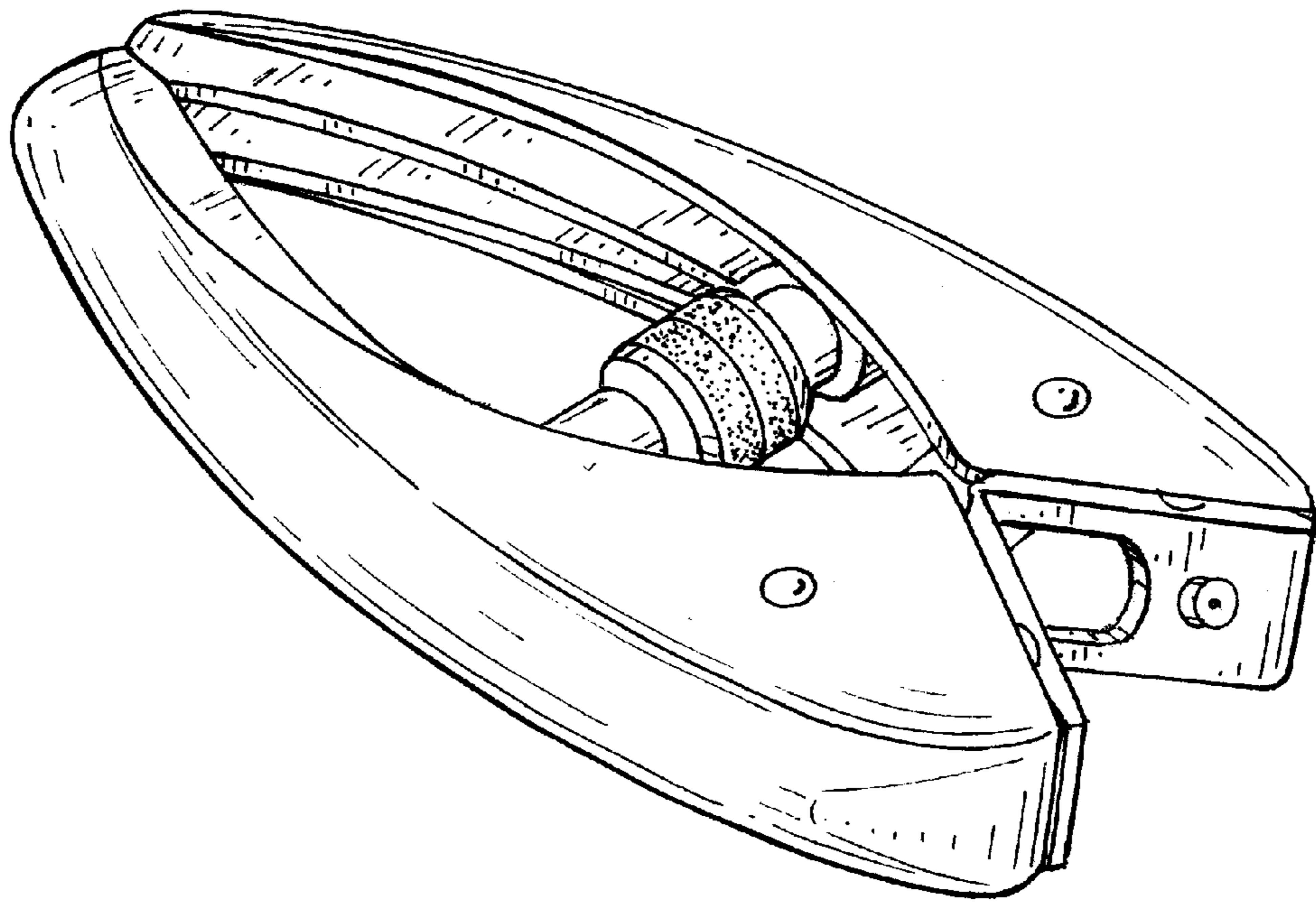


FIG. 2

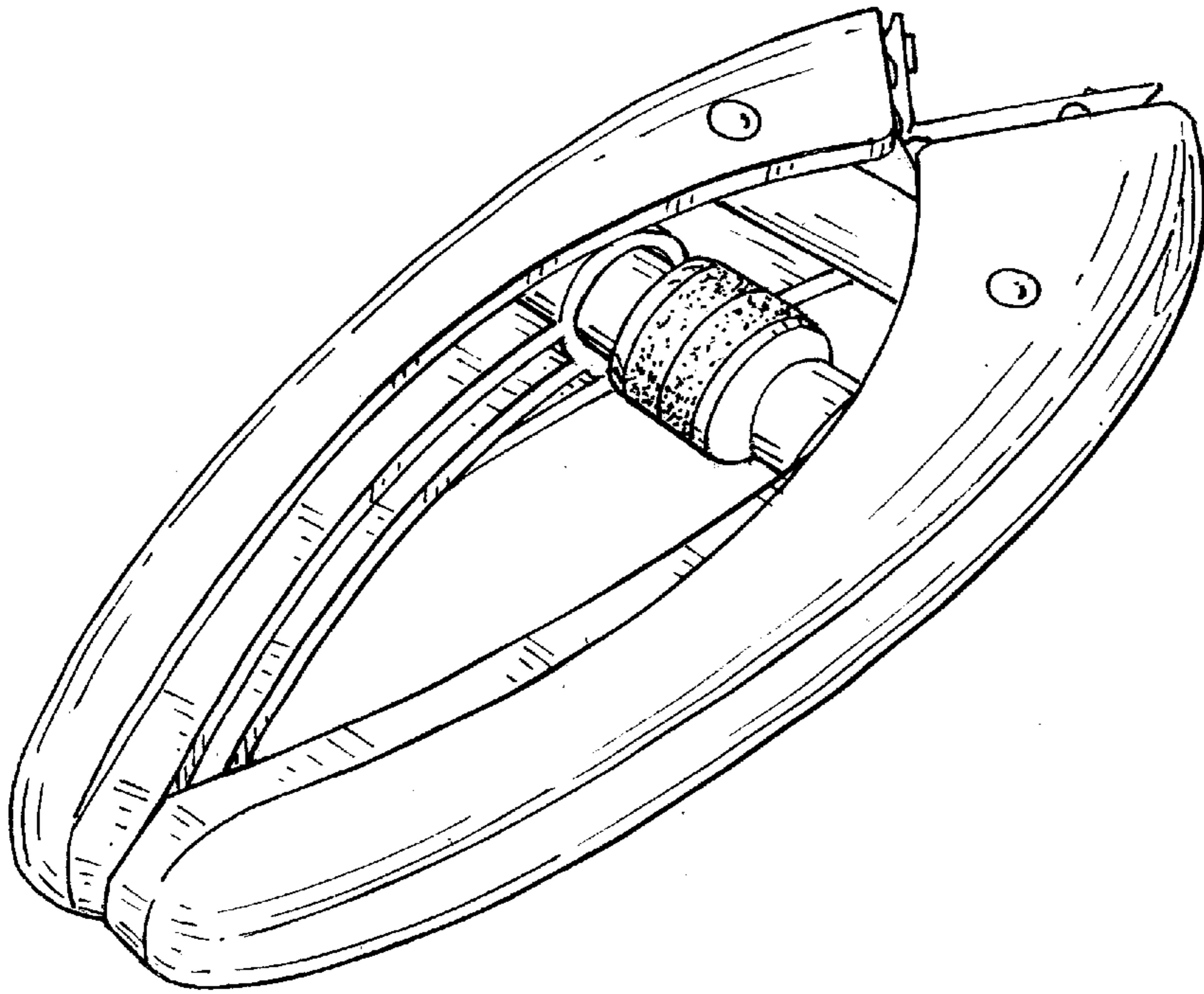


FIG. 3

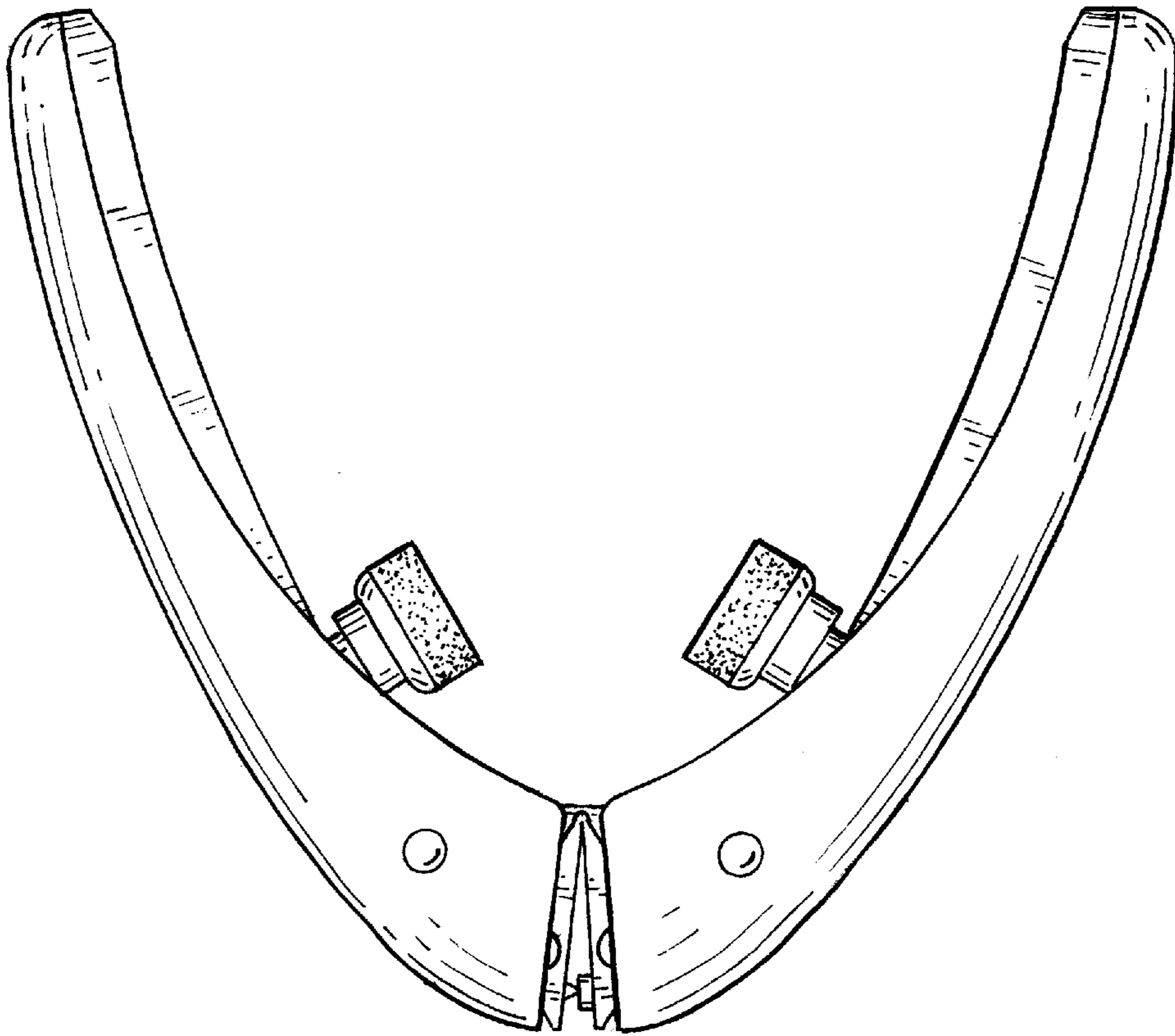


FIG. 4

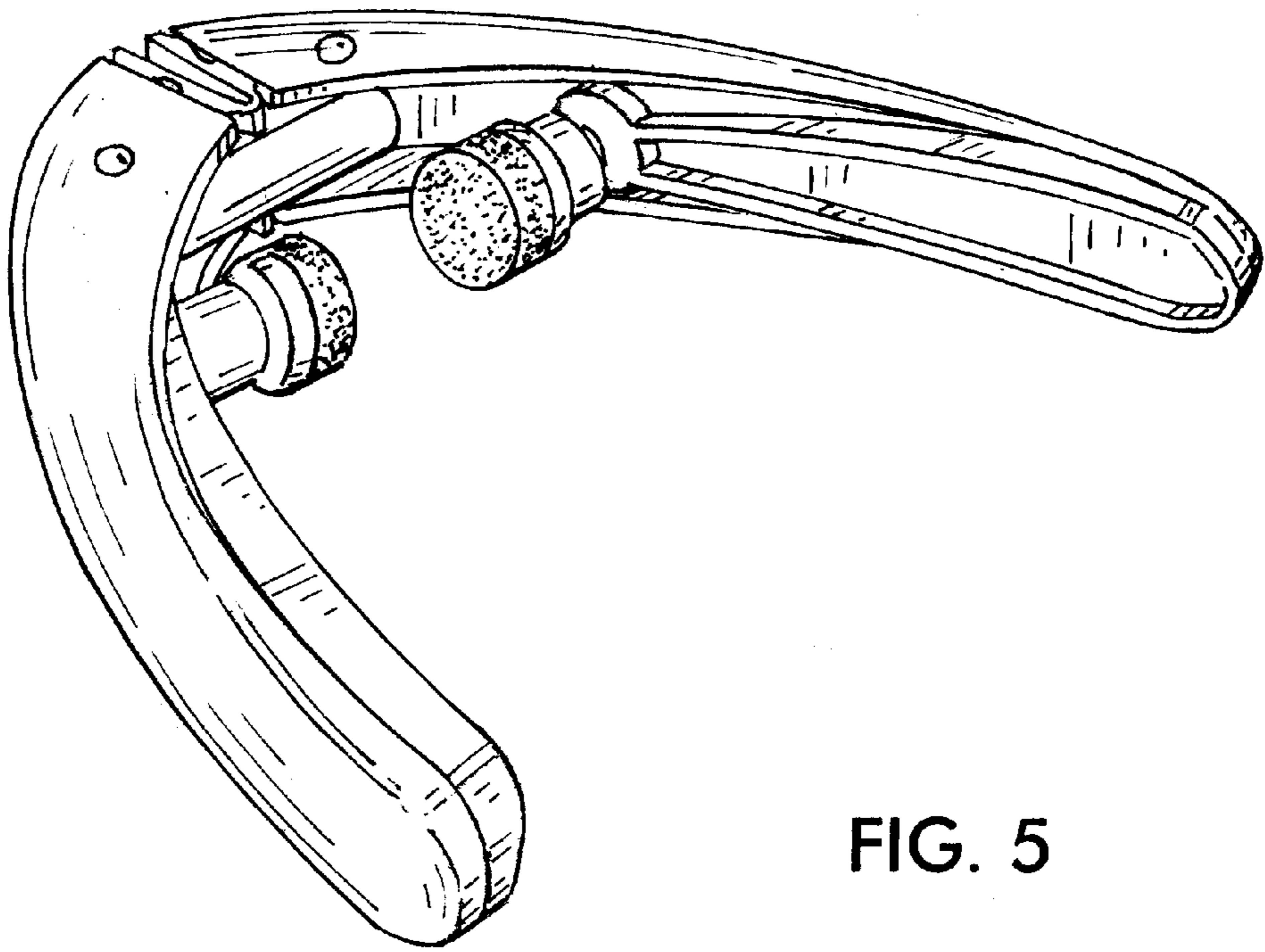


FIG. 5

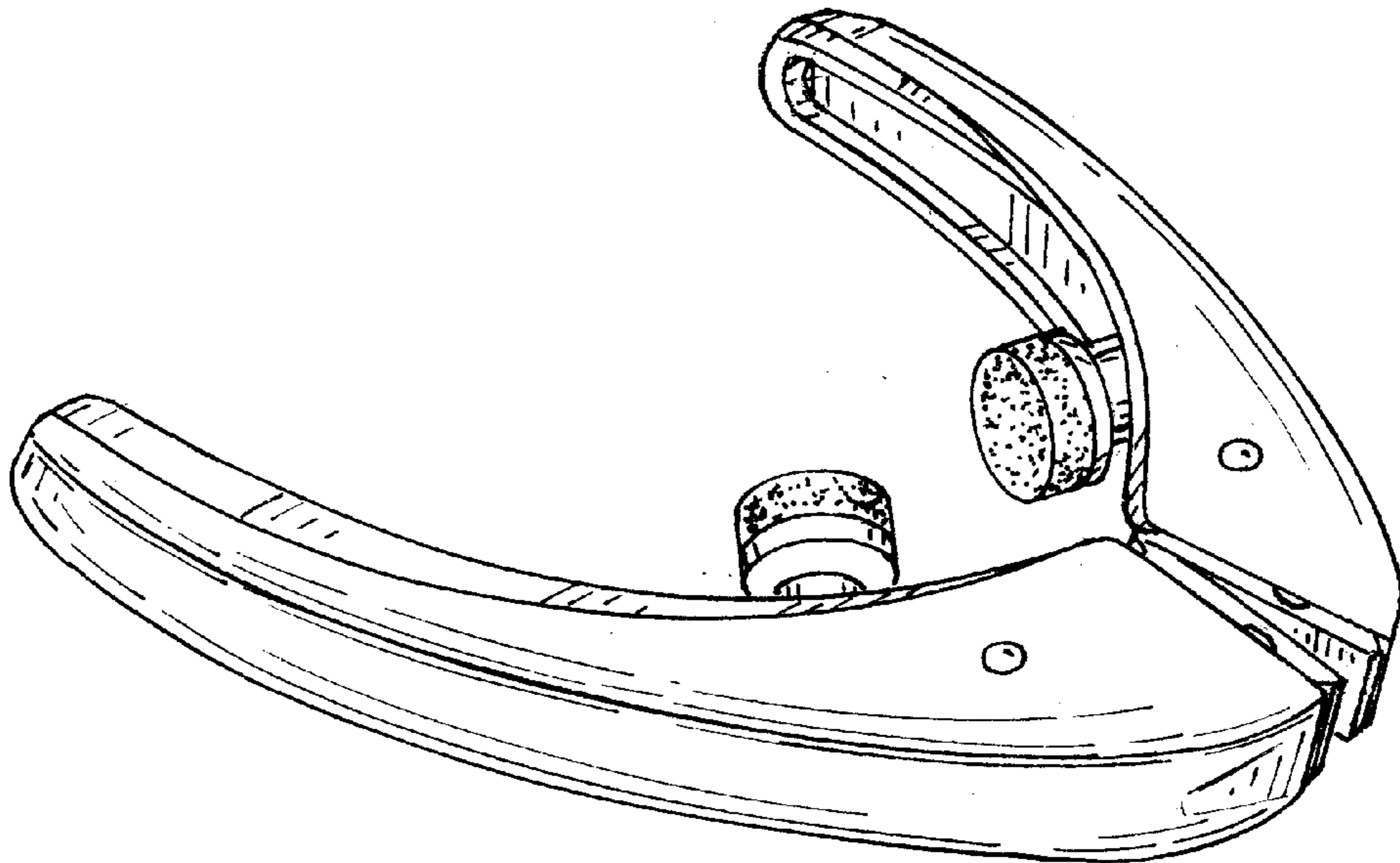


FIG. 6

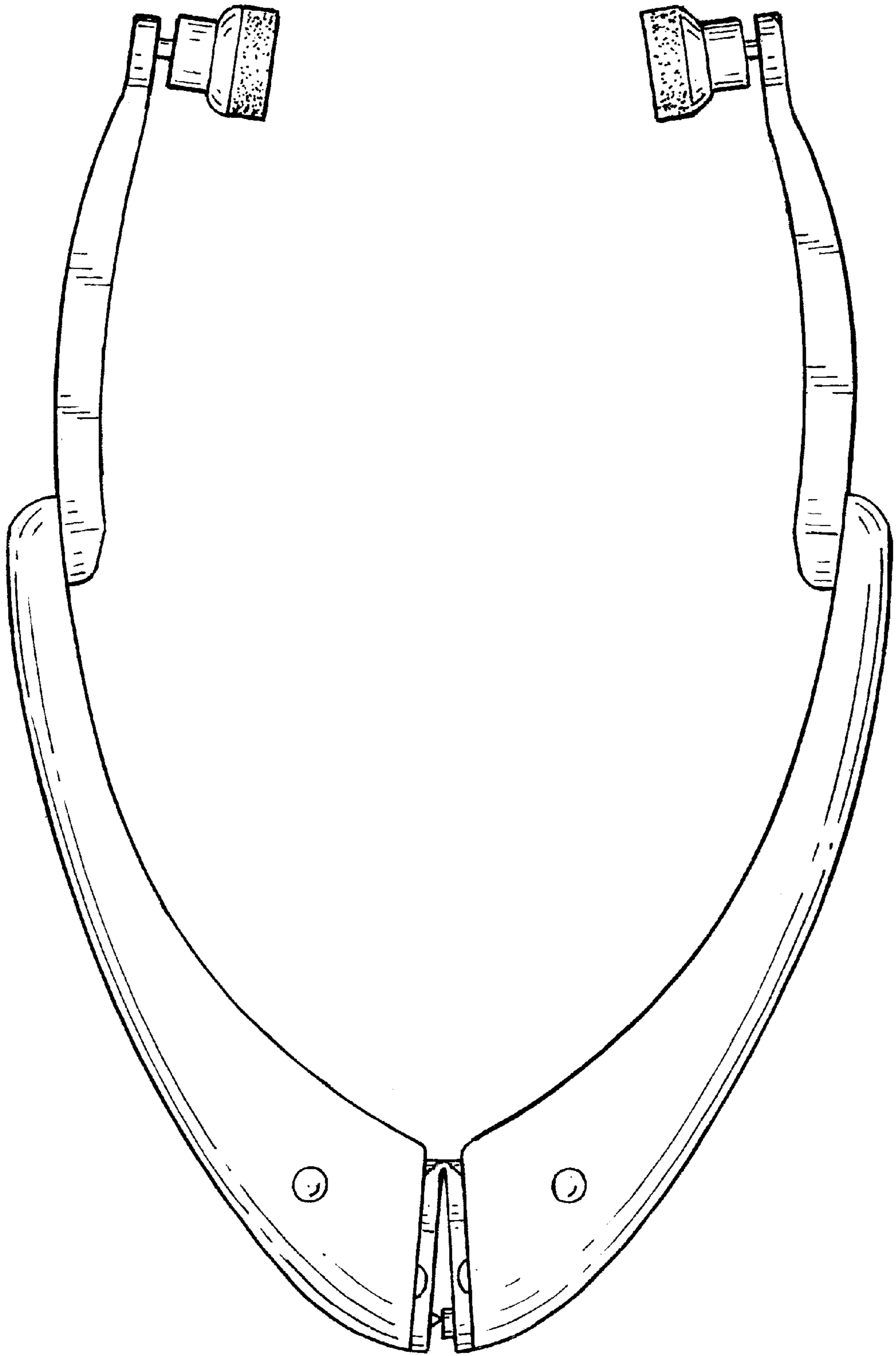


FIG. 7

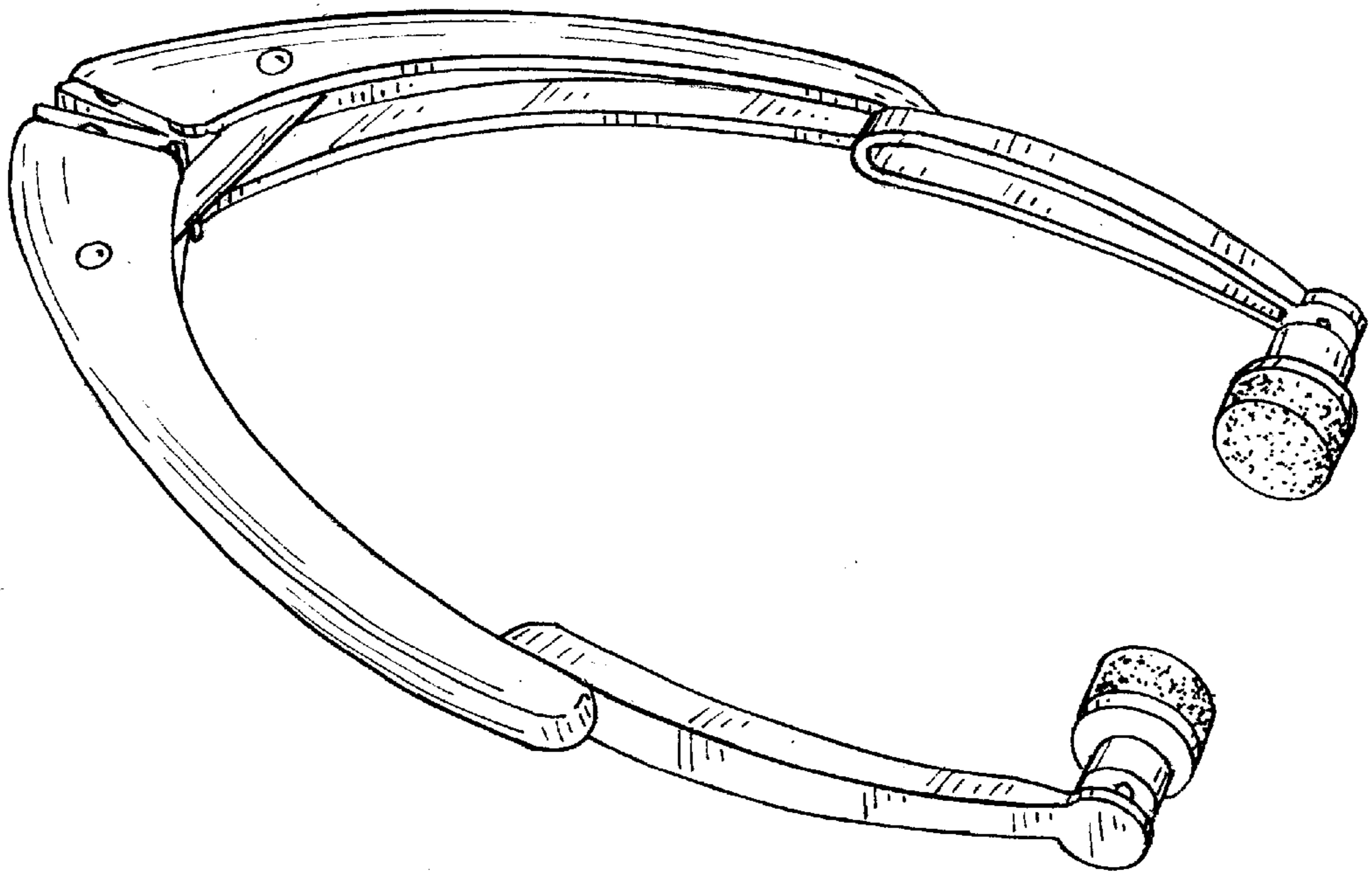


FIG. 8

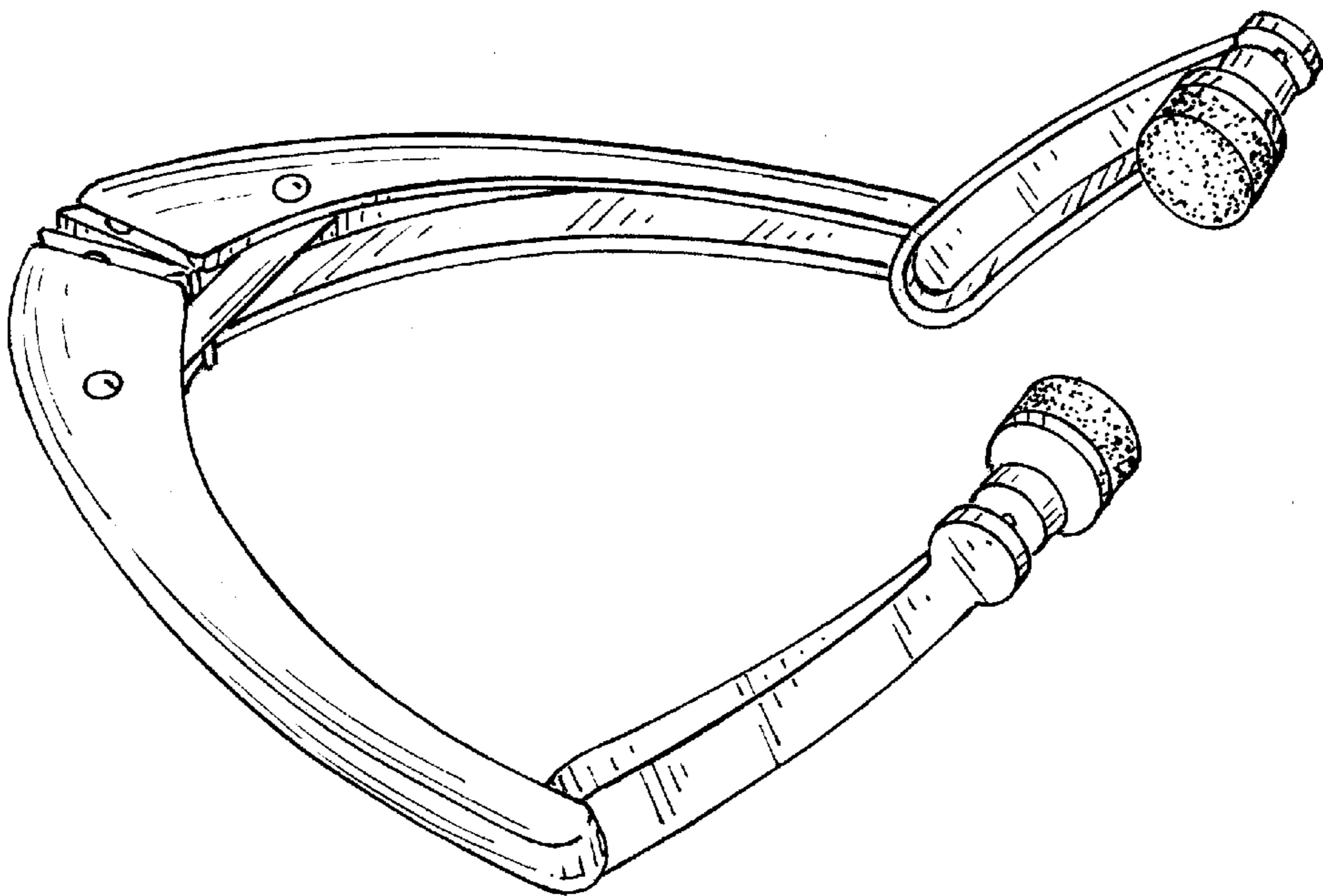


FIG. 9