



US00D477405S

(12) **United States Design Patent**
Sommerfeld et al.

(10) **Patent No.:** **US D477,405 S**

(45) **Date of Patent:** **** Jul. 15, 2003**

(54) **ELECTRONIC STETHOSCOPE CHESTPIECE**

(76) Inventors: **George Sommerfeld**, P.O. Box 33427,
St. Paul, MN (US) 55133-3427; **Sven Erik Poulsen**, Bang & Olufsen
Medicom a/s, Gimsinglundvej 20,
DK-7600 Struer (DK); **Henrik Soerig Thomsen**, Soerig Thomsen Design,
Vestegrade 43, DK-8000 Aarhus C
(DK)

(**) Term: **14 Years**

(21) Appl. No.: **29/162,778**

(22) Filed: **Jun. 21, 2002**

(51) **LOC (7) Cl.** **24-02**

(52) **U.S. Cl.** **D24/134**

(58) **Field of Search** D24/134; 600/528;
381/67, 95, 96; 181/131, 132, 137

5,347,583 A	9/1994	Dieken et al.	
5,367,575 A	11/1994	Dieken et al.	
5,380,182 A	1/1995	Packard et al.	
D361,840 S	* 8/1995	Savage et al. D24/134
5,449,865 A	9/1995	Desnick et al.	
D373,824 S	9/1996	Packard et al.	
5,561,275 A	* 10/1996	Savage et al. 381/67
D379,512 S	5/1997	Dieken et al.	
5,638,453 A	* 6/1997	McLaughlin 381/67
5,663,532 A	9/1997	Dieken et al.	
D395,509 S	6/1998	Packard et al.	
D403,065 S	12/1998	Dieken et al.	
5,852,263 A	12/1998	Dieken	
D410,285 S	5/1999	Packard et al.	
5,931,792 A	8/1999	Packard et al.	
5,932,849 A	8/1999	Dieken	
5,945,640 A	8/1999	Rossini et al.	
6,026,170 A	2/2000	Dieken et al.	
D432,238 S	10/2000	Packard et al.	
D445,184 S	* 7/2001	Meyer D24/134

* cited by examiner

Primary Examiner—Ian Simmons

(74) *Attorney, Agent, or Firm*—Kevin W. Raasch

(56) **References Cited**

U.S. PATENT DOCUMENTS

3,951,230 A	4/1976	Littmann et al.
4,071,694 A	1/1978	Pfeiffer
4,200,169 A	4/1980	MacDonald, III et al.
4,239,089 A	12/1980	Nelson
4,440,258 A	4/1984	Packard
4,475,619 A	10/1984	Packard
D277,890 S	3/1985	Loughridge et al.
4,502,562 A	3/1985	Nelson
4,633,971 A	1/1987	Robbins
4,770,270 A	9/1988	Grimm
4,852,684 A	8/1989	Packard
4,913,259 A	4/1990	Packard
4,995,473 A	2/1991	Packard
D323,394 S	1/1992	Casto et al.
5,111,904 A	5/1992	Packard et al.
5,204,500 A	4/1993	Dufresne et al.
D337,381 S	7/1993	Dufresne et al.
D338,269 S	8/1993	Dufresne et al.
5,324,471 A	6/1994	Packard et al.

(57) **CLAIM**

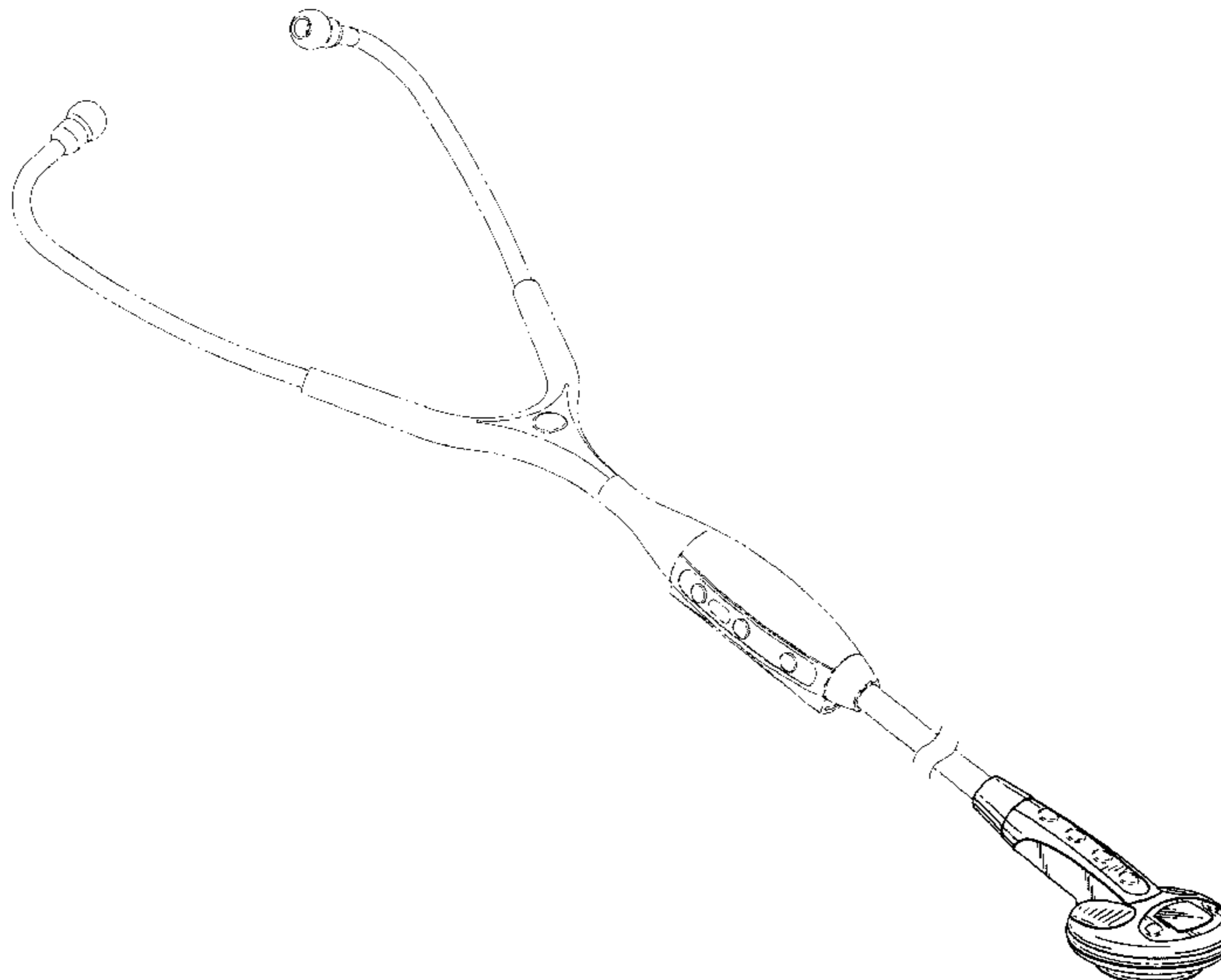
The ornamental design for an electronic stethoscope chest-piece, as shown and described.

DESCRIPTION

FIG. 1 is a perspective view of an electronic stethoscope chest-piece showing the new design;
FIG. 2 is a top plan view thereof;
FIG. 3 is a bottom plan view thereof;
FIG. 4 is a left side view thereof;
FIG. 5 is a right side view thereof;
FIG. 6 is a front end view thereof; and,
FIG. 7 is a rear end view thereof.

The broken lines in the figures are for illustrative purposes only and do not form a part of the claimed design.

1 Claim, 7 Drawing Sheets



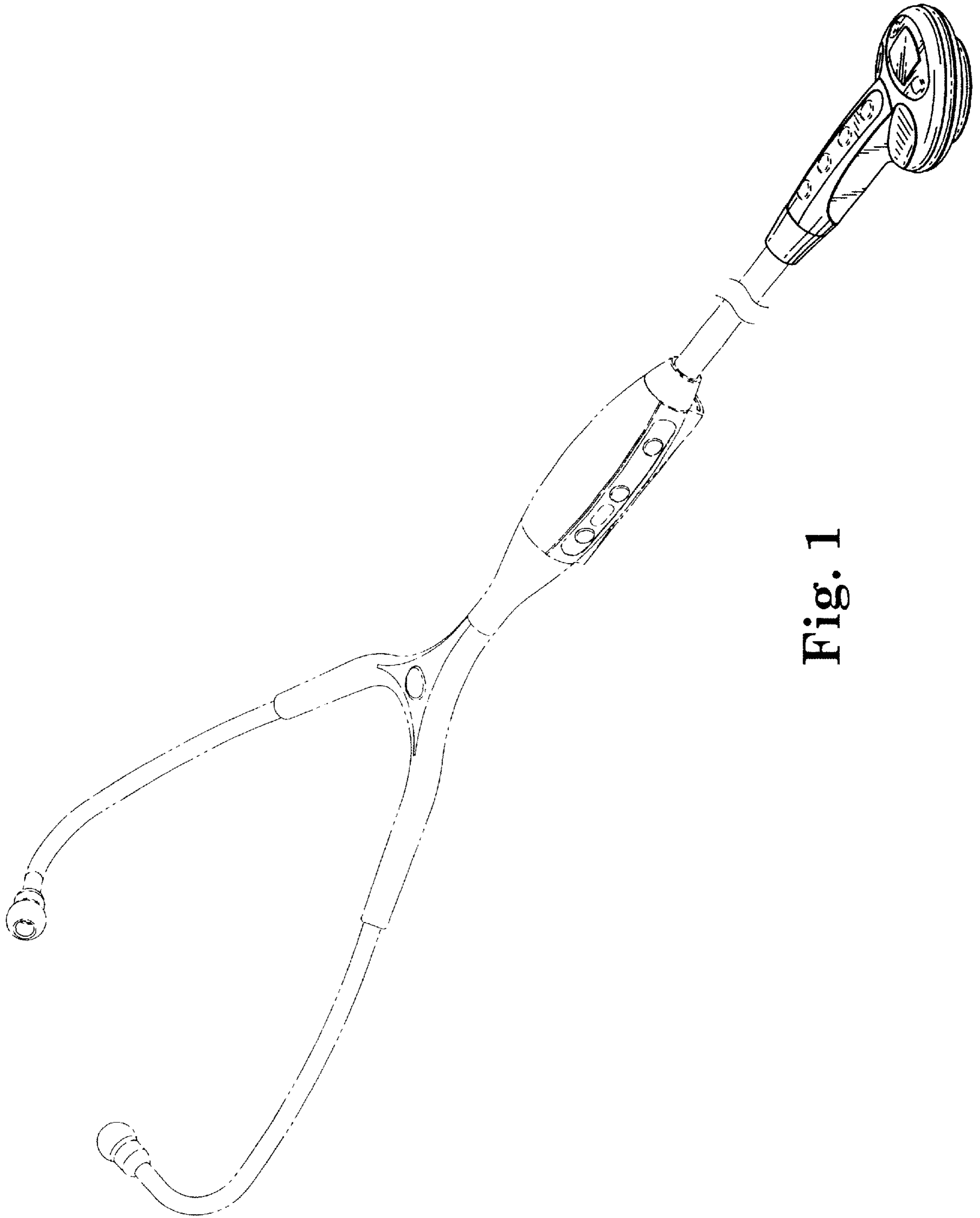


Fig. 1

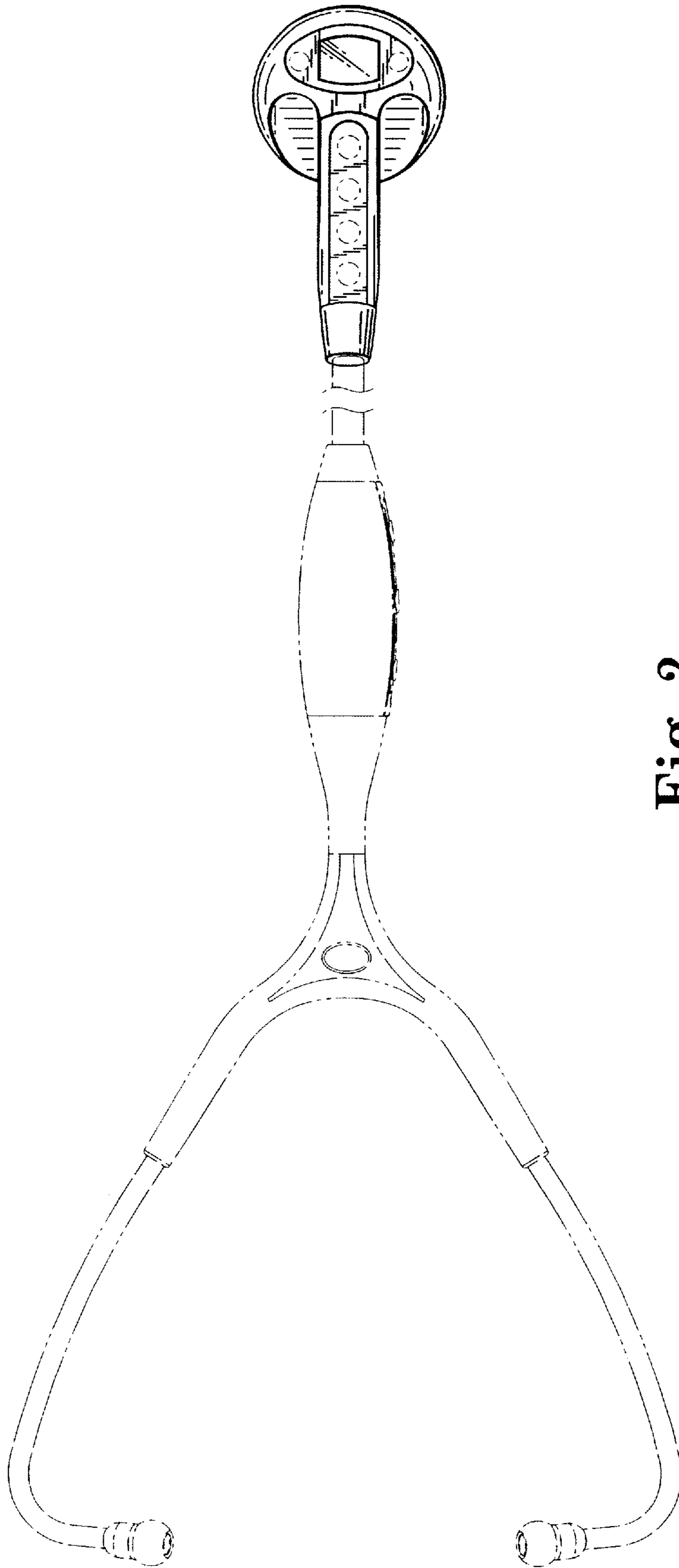


Fig. 2

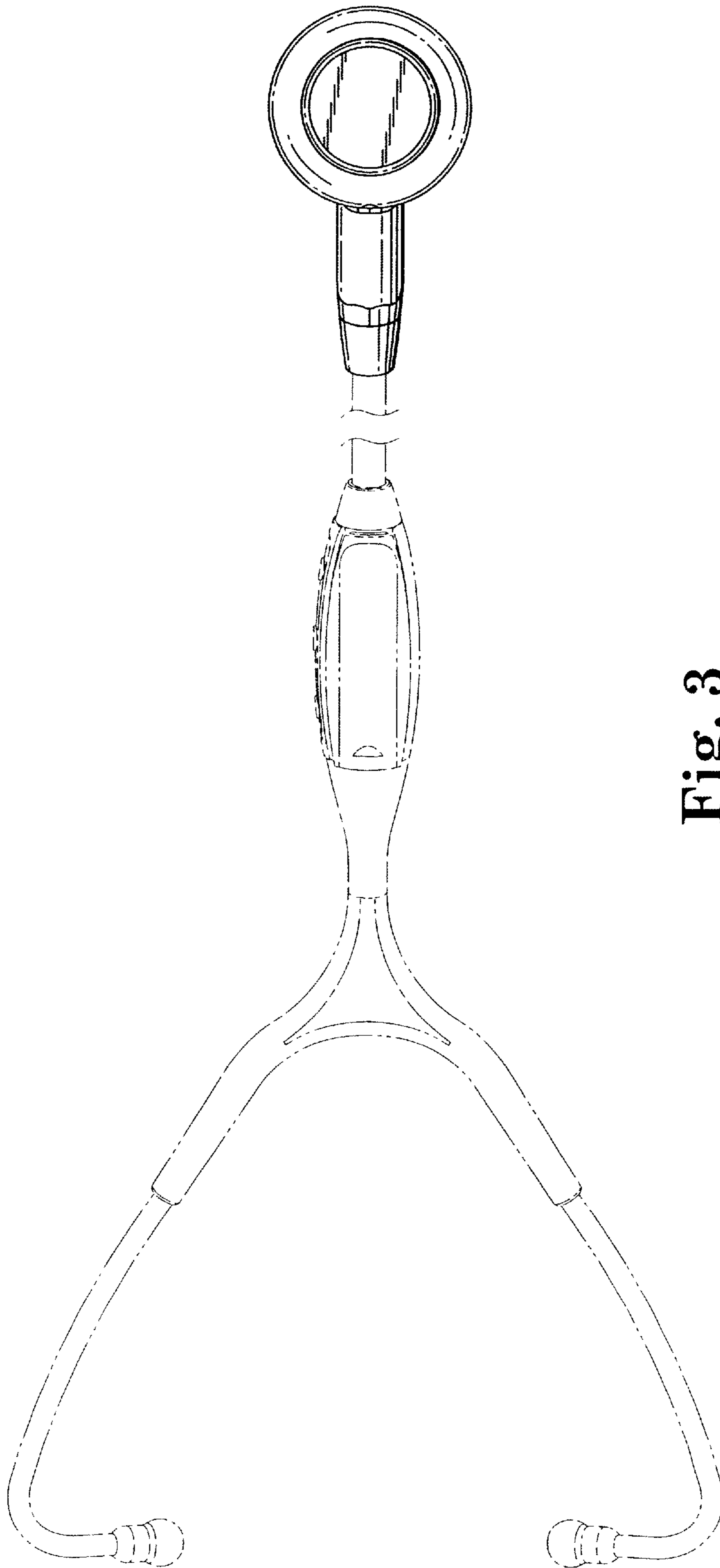


Fig. 3

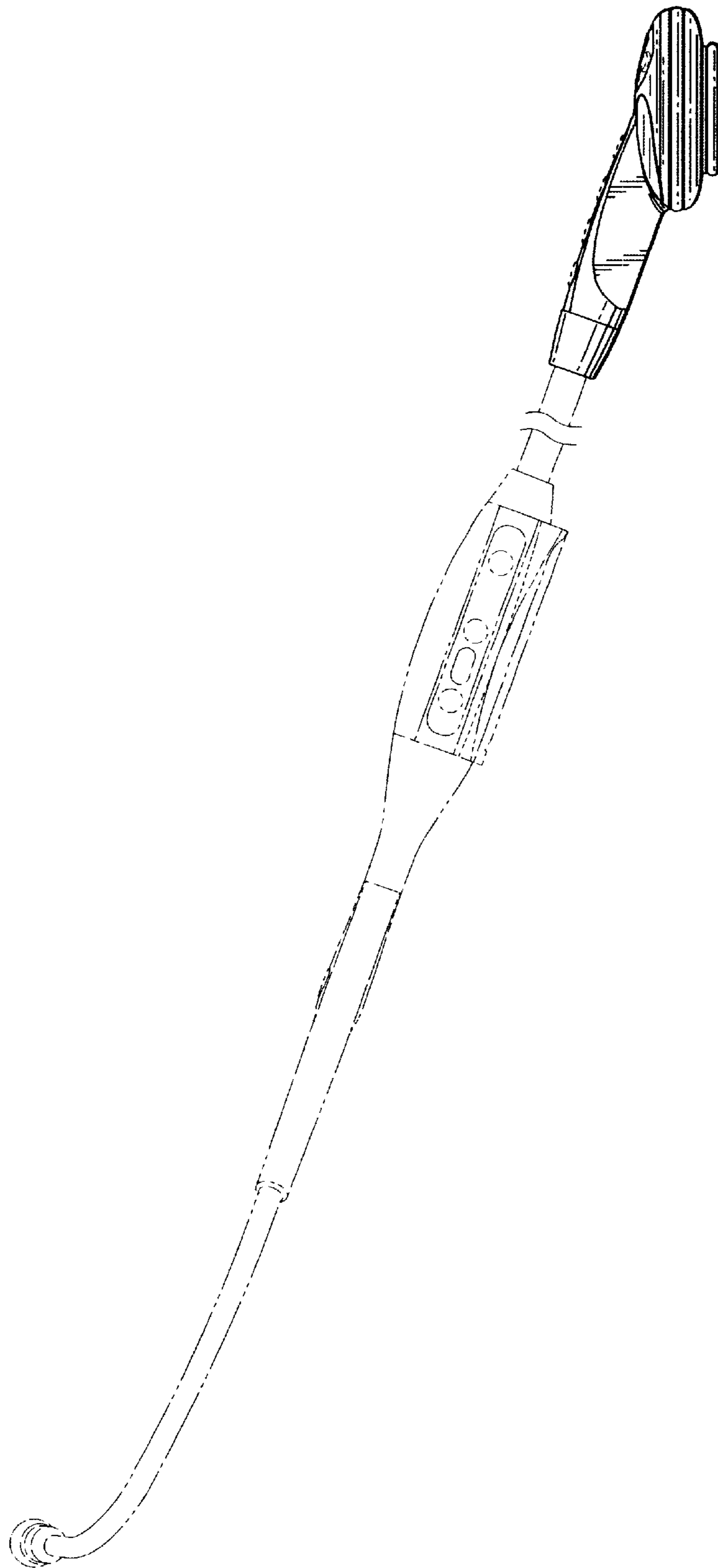


Fig. 4

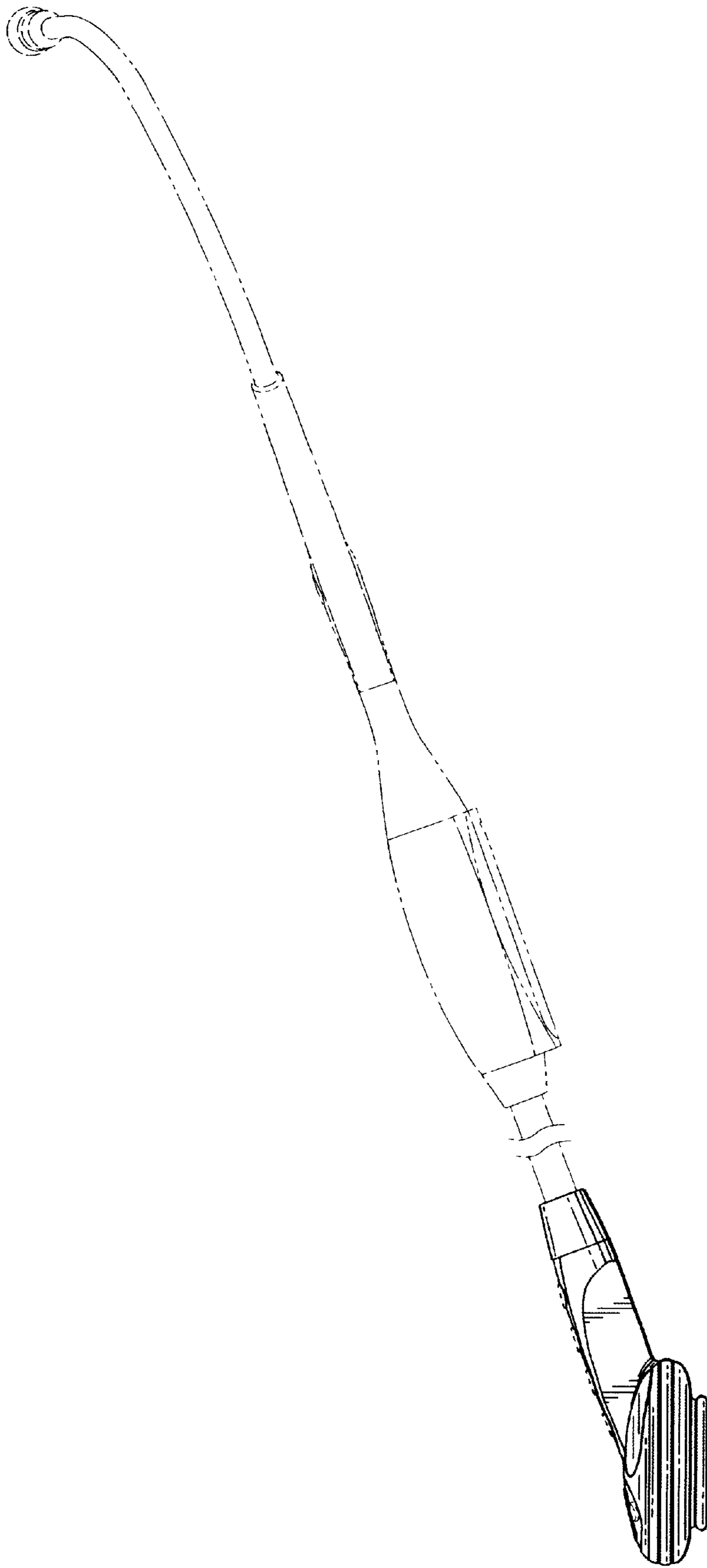


Fig. 5

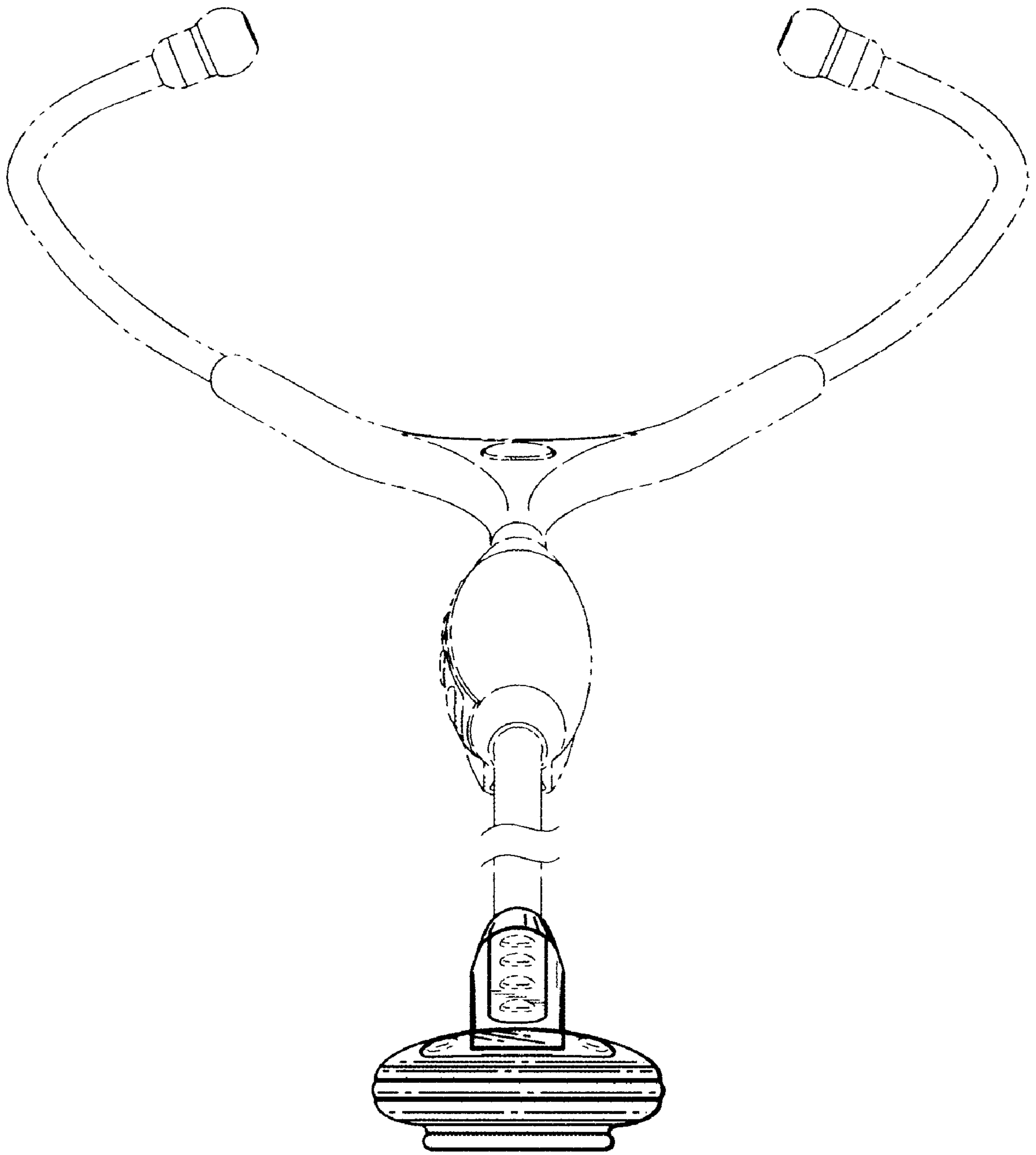


Fig. 6

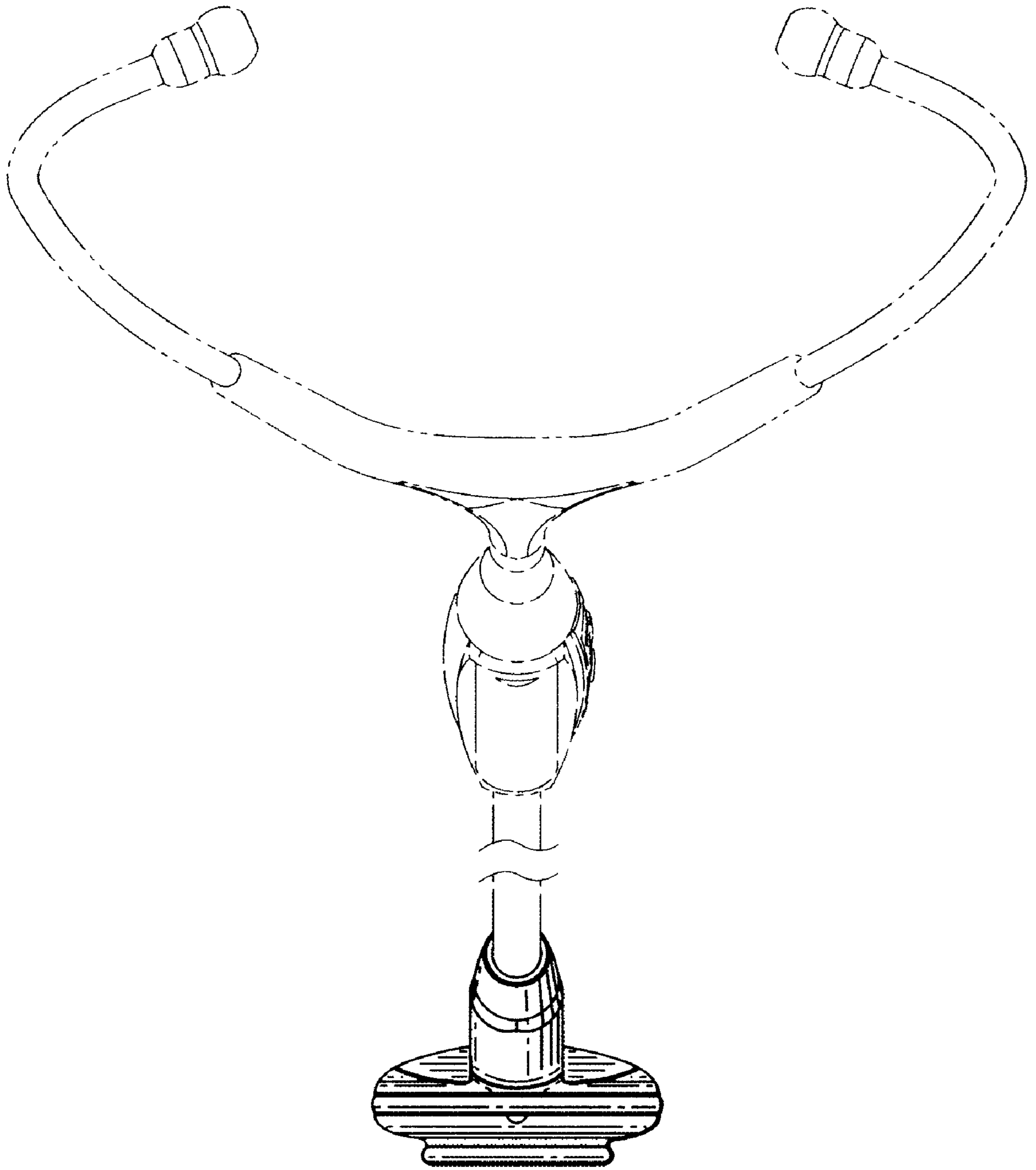


Fig. 7