



US00D477396S

(12) **United States Design Patent**
Campbell

(10) **Patent No.:** **US D477,396 S**

(45) **Date of Patent:** **** Jul. 15, 2003**

(54) **CEILING FAN MOTOR HOUSING**

(75) **Inventor:** **Glennbruce S. Campbell**, Memphis, TN (US)

(73) **Assignee:** **Hunter Fan Company**, Memphis, TN (US)

(**) **Term:** **14 Years**

(21) **Appl. No.:** **29/167,429**

(22) **Filed:** **Sep. 13, 2002**

(51) **LOC (7) Cl.** **23-04**

(52) **U.S. Cl.** **D23/411**

(58) **Field of Search** D23/411, 377,
D23/379, 385; 416/5; 392/364

(56) **References Cited**

U.S. PATENT DOCUMENTS

D297,456 S	8/1988	Pearce	D23/370
D395,497 S	6/1998	Zuege	D23/411
D417,496 S	* 12/1999	Chang et al.	D23/377
D428,133 S	* 7/2000	Chen	D23/411
D453,563 S	2/2002	Bogazzi	D23/377

OTHER PUBLICATIONS

2001 Hunter Prestige Catalog(1886 Series, Lugano, Salinas).

Casablanca Fan Company 2002 Product Catalog (Metropolitan).

* cited by examiner

Primary Examiner—Lisa Lichtenstein

(74) *Attorney, Agent, or Firm*—Baker Donelson

(57) **CLAIM**

The ornamental design for a ceiling fan motor housing, as shown and described.

DESCRIPTION

FIG. 1 is a perspective view of a ceiling fan motor housing showing my new design.

FIG. 2 is an enlarged perspective view of the ceiling fan motor housing.

FIG. 3 is an enlarged front view thereof, the rear view, the right side view and the left side view being the same thereof.

FIG. 4 is an enlarged bottom view thereof; and,

FIG. 5 is an enlarged top view thereof.

The broken line showing of environmental structure in FIG. 1 is for illustrative purposes only and forms no part of the claimed design.

1 Claim, 3 Drawing Sheets

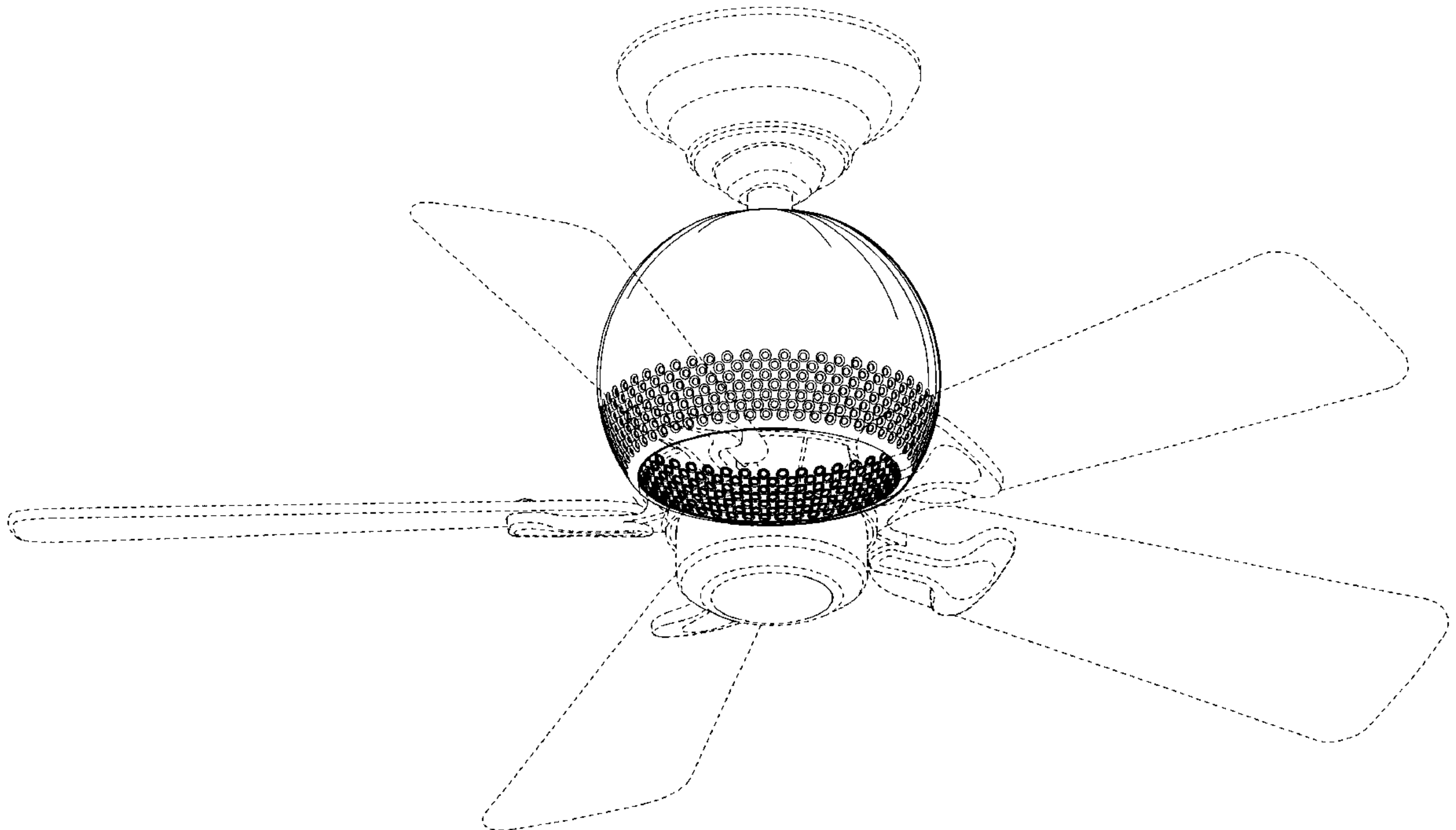


Fig.1

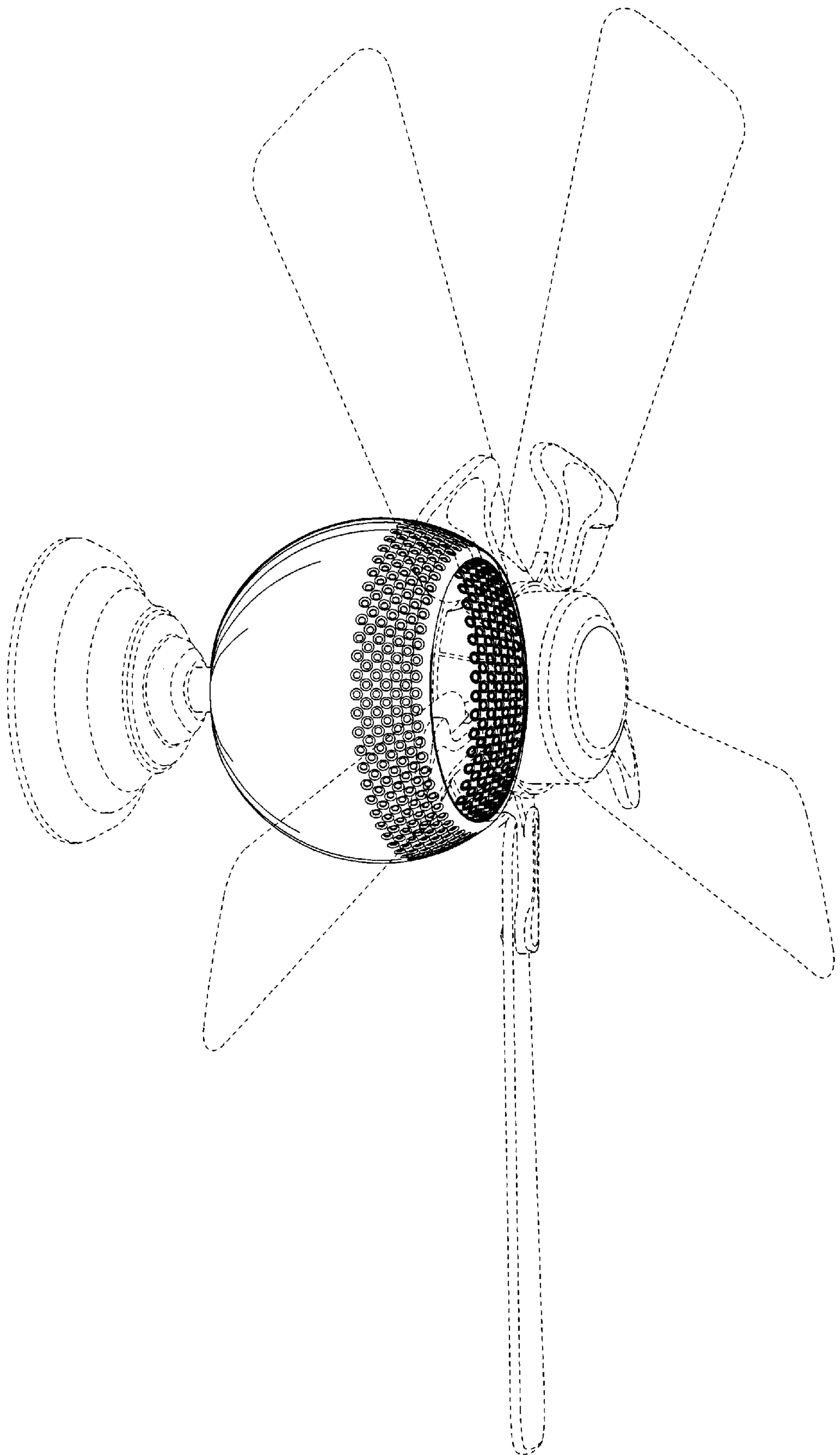


Fig. 2

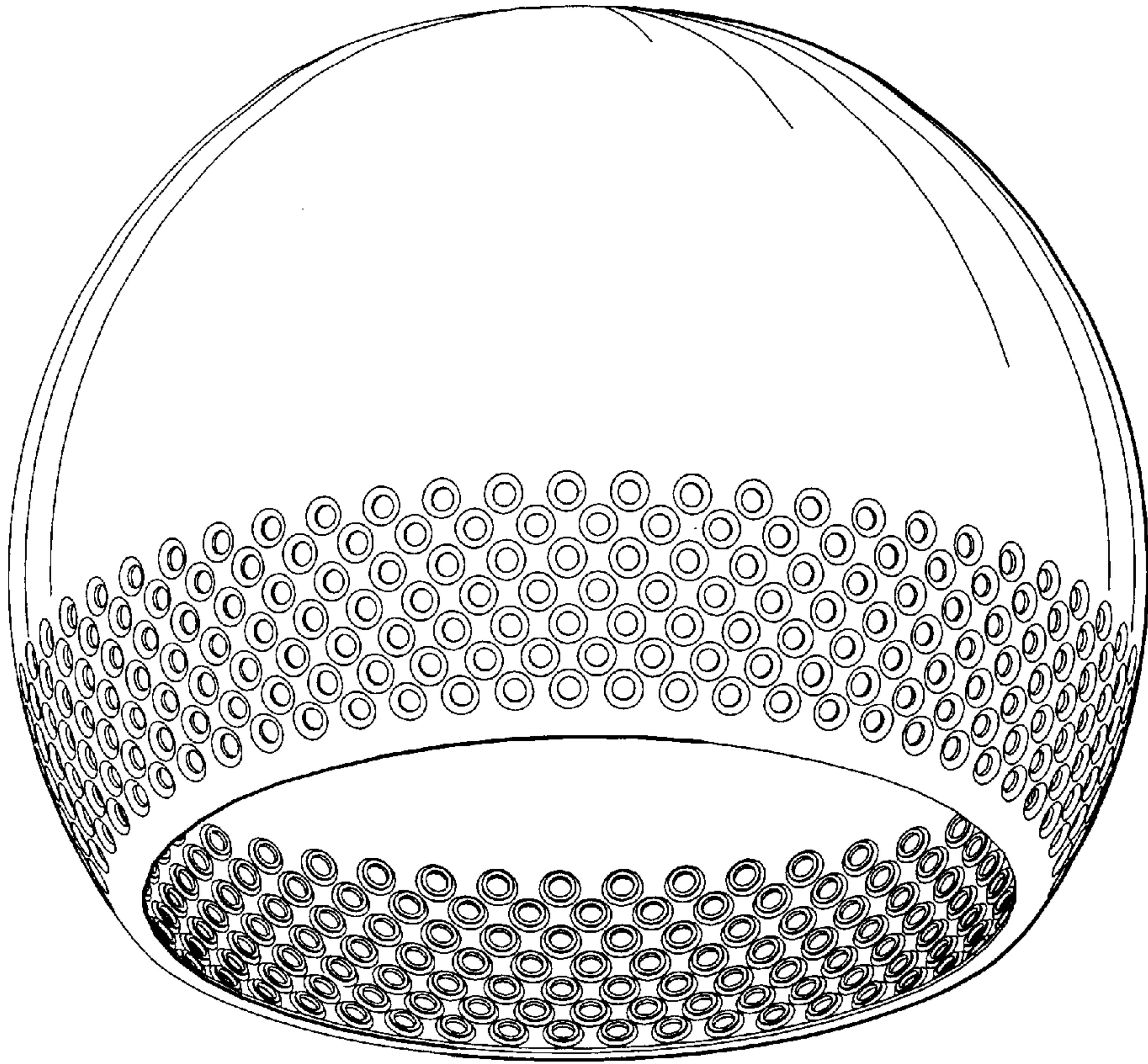


Fig. 3

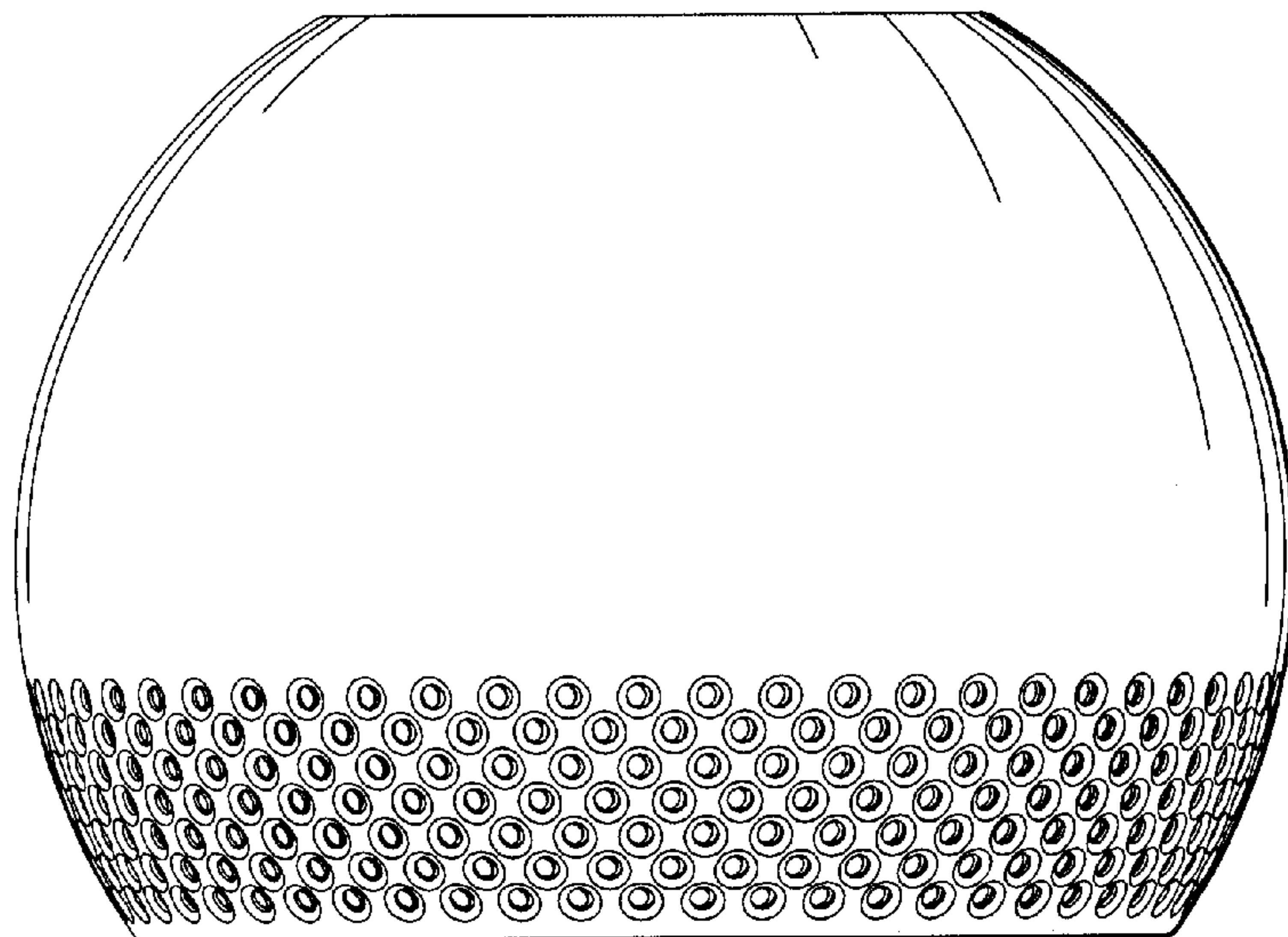


Fig. 4

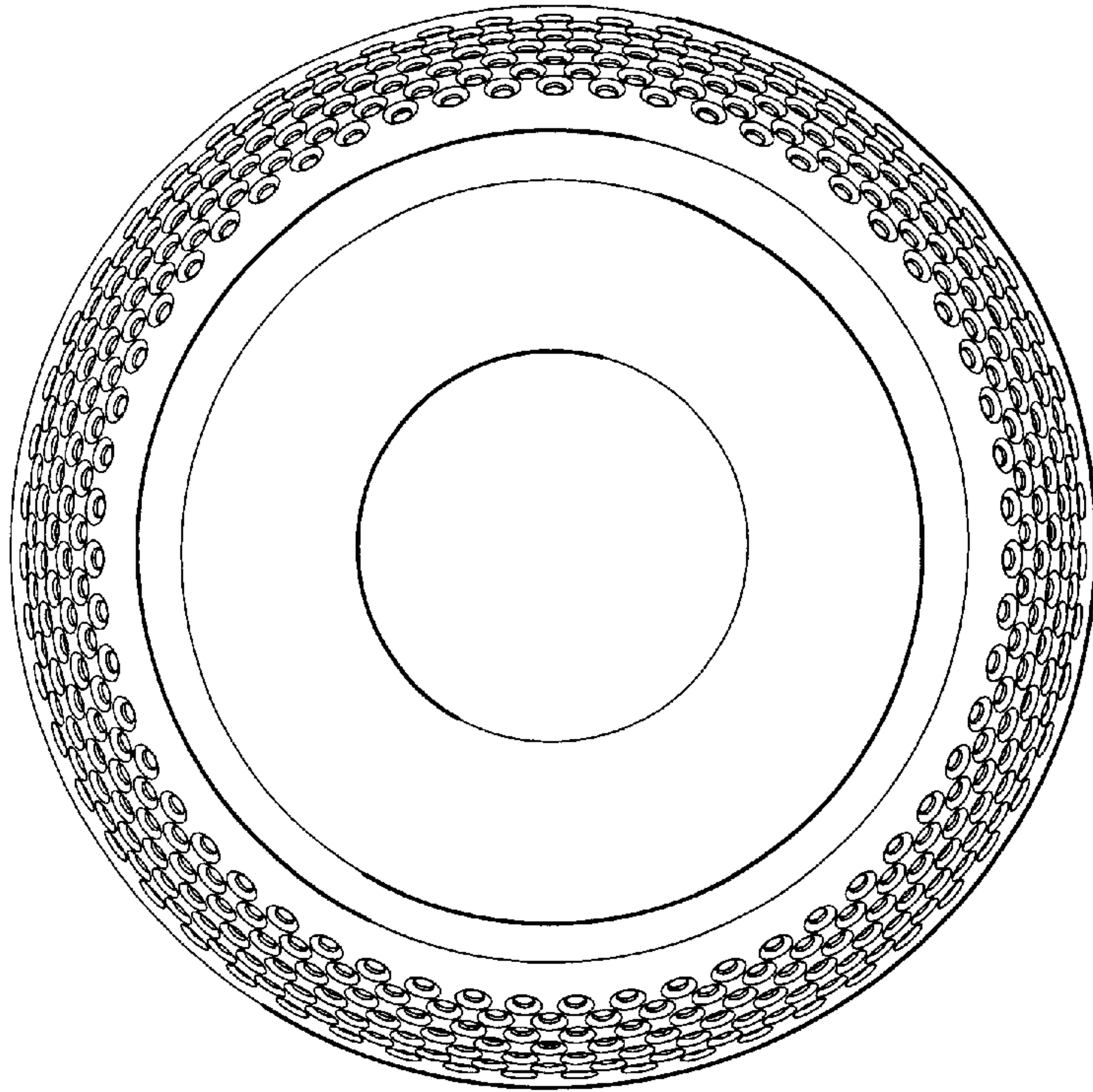


Fig. 5

