



US00D477395S

(12) **United States Design Patent**
Thomas, Jr.

(10) **Patent No.:** **US D477,395 S**

(45) **Date of Patent:** **** Jul. 15, 2003**

(54) **CEILING FAN BLADE IRON**

(75) Inventor: **James C. Thomas, Jr.**, Germantown, TN (US)

(73) Assignee: **Hunter Fan Company**, Memphis, TN (US)

(**) Term: **14 Years**

(21) Appl. No.: **29/166,878**

(22) Filed: **Sep. 3, 2002**

(51) **LOC (7) Cl.** **23-04**

(52) **U.S. Cl.** **D23/411**

(58) **Field of Search** D23/411, 377, D23/379, 385; 416/5, 210 R

(56) **References Cited**

U.S. PATENT DOCUMENTS

| | | | | |
|------------|-----------|----------------------|-------|---------|
| D399,948 S | 10/1998 | Tsuji | | D23/411 |
| D402,026 S | * 12/1998 | Chuang et al. | | D23/377 |
| D402,360 S | * 12/1998 | Jasper-Fayer | | D23/411 |
| D407,810 S | * 4/1999 | Jaspers-Fayer | | D23/377 |
| D453,959 S | * 2/2002 | Jaspers-Fayer et al. | | D23/411 |
| D454,632 S | 3/2002 | Huang | | D23/411 |

OTHER PUBLICATIONS

2001 Prestige Hunter Fan Company Product Catalog. (Cote D' Azur, Mariner, The Archive, Santa Barbara, Marseille). Casablanca Fan Company—Year 2002 Brescia p. 24, Nouvelle p. 25.

* cited by examiner

Primary Examiner—Lisa Lichtenstein

(74) *Attorney, Agent, or Firm*—Baker Donelson

(57) **CLAIM**

The ornamental design for a ceiling fan blade iron, as shown and described.

DESCRIPTION

FIG. 1 is a perspective view of a ceiling fan blade iron showing my new design.

FIG. 2 is a front view thereof.

FIG. 3 is a rear view thereof.

FIG. 4 is a top view thereof.

FIG. 5 is a bottom view thereof.

FIG. 6 is a right side view thereof; and,

FIG. 7 is a left side view thereof.

The broken line showing of environmental structure in FIGS. 1, 4 and 5 is for illustrative purposes only and forms no part of the claimed design.

1 Claim, 4 Drawing Sheets

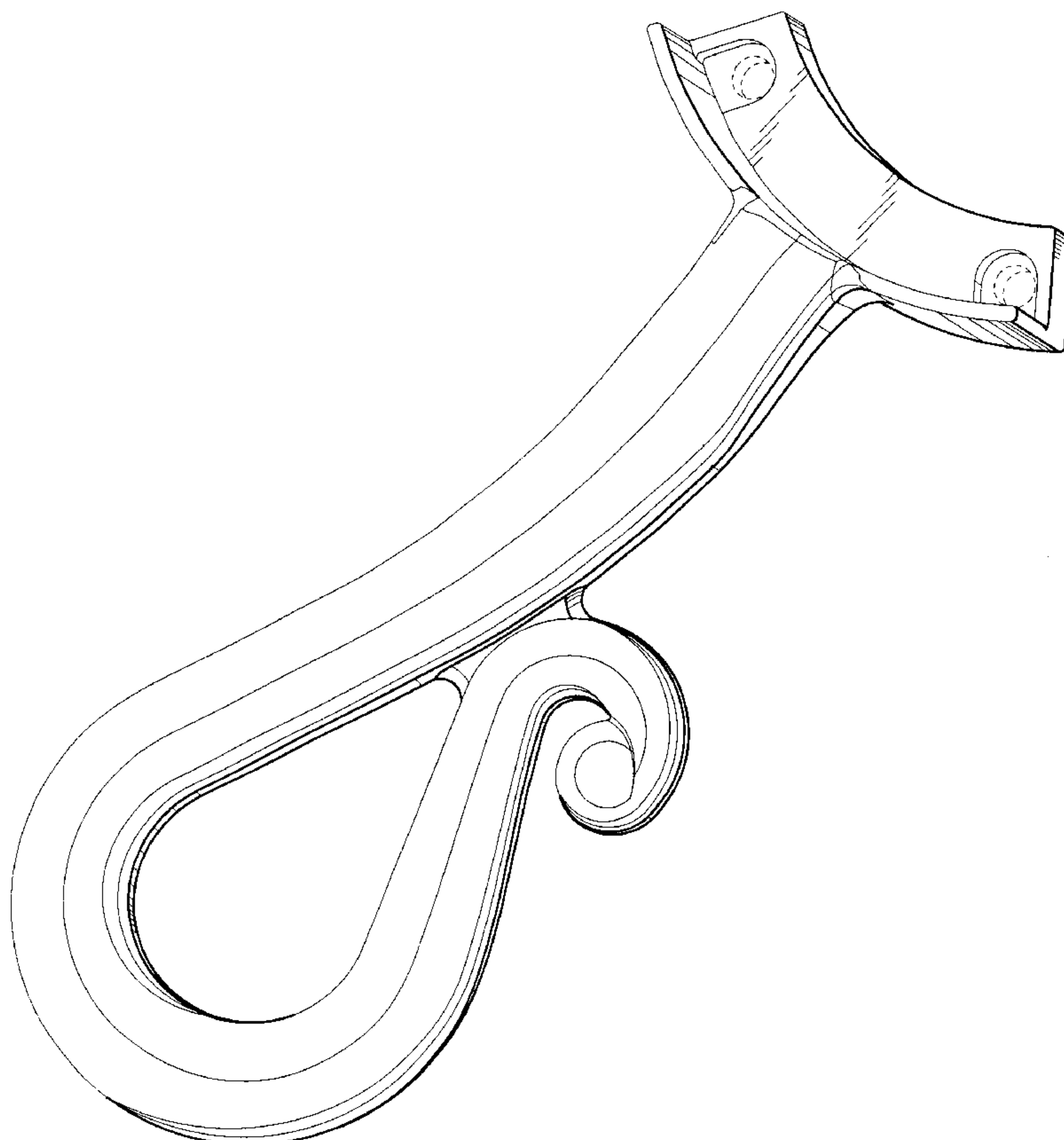


Fig. 1

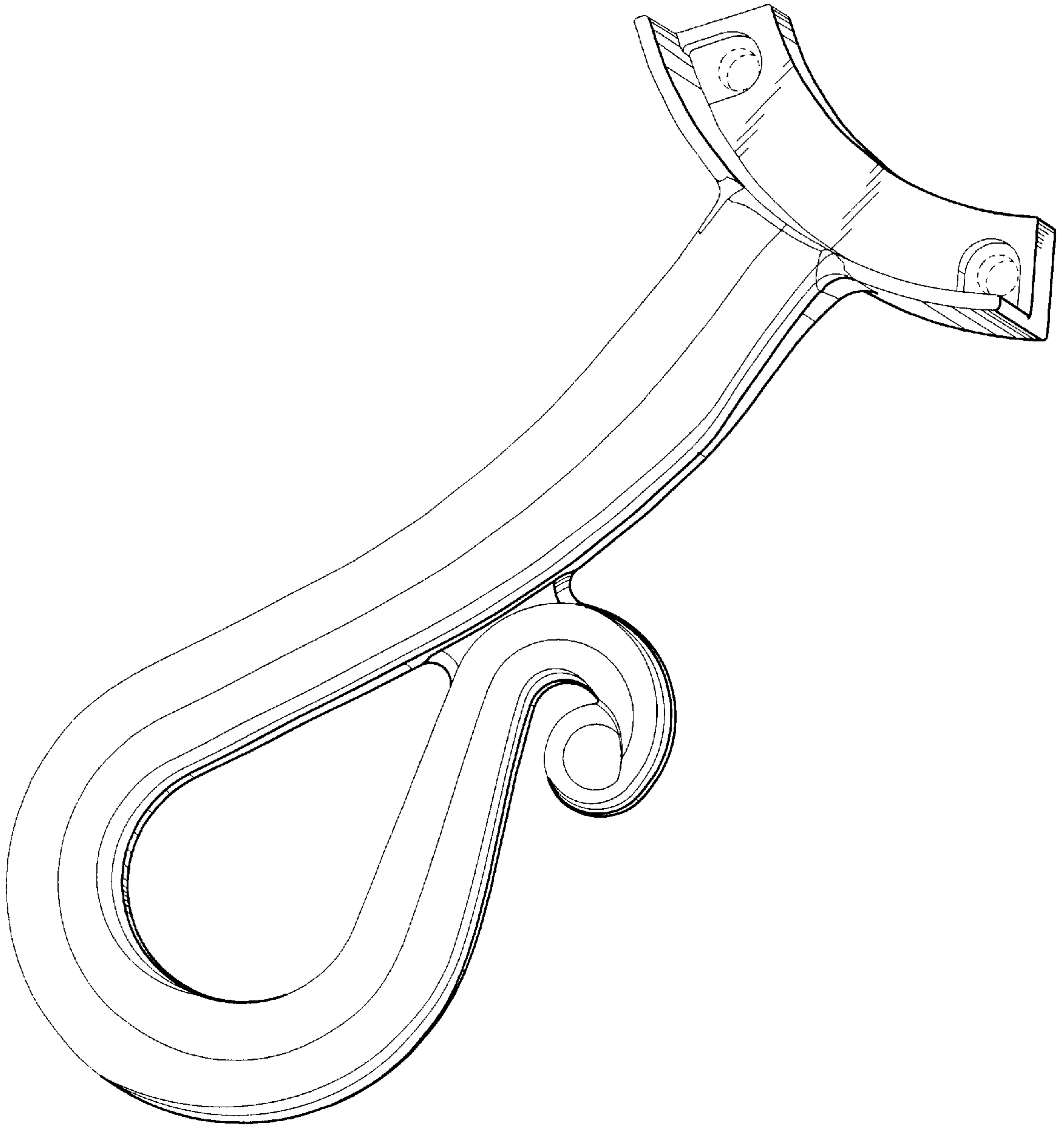


Fig. 2

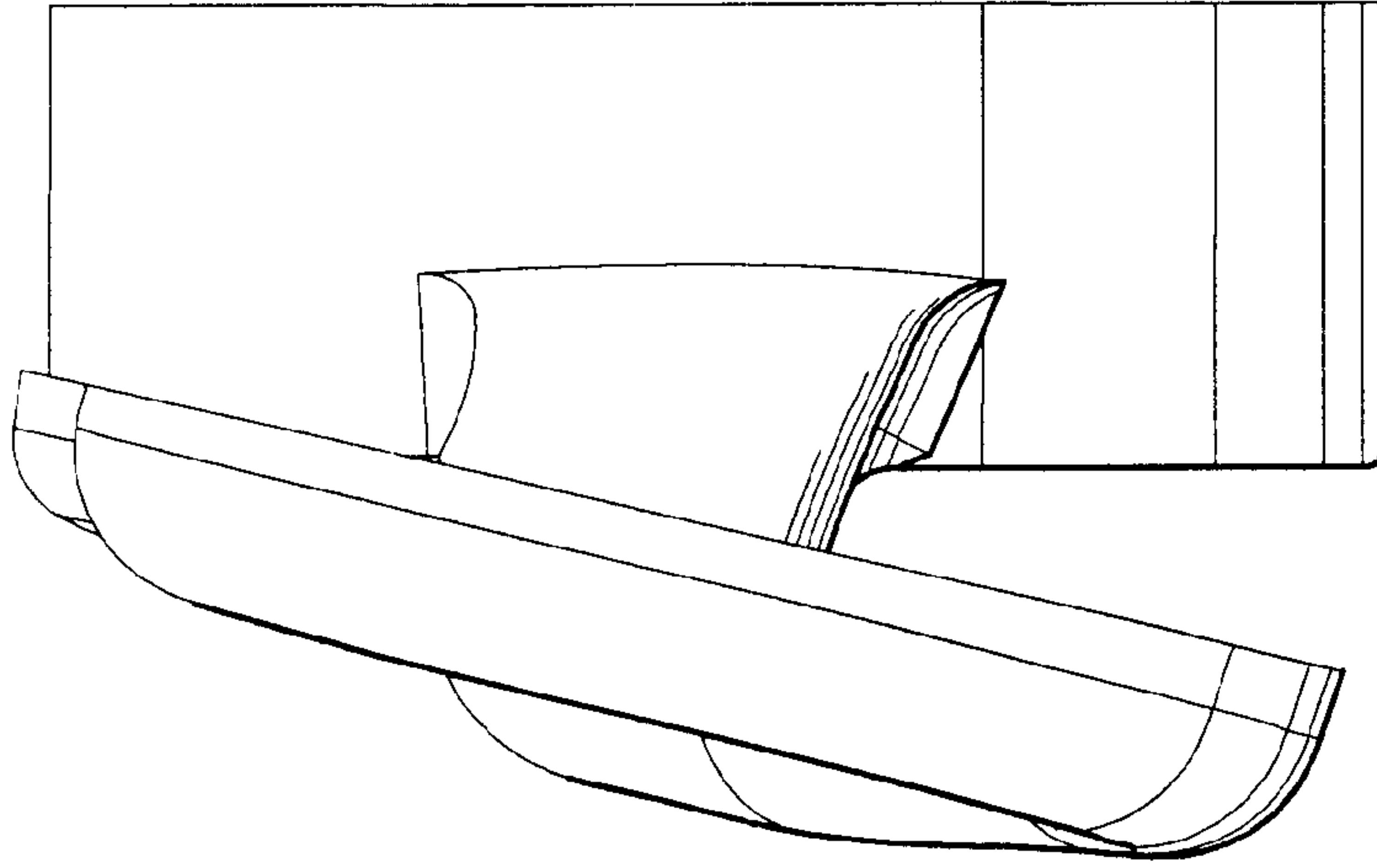


Fig. 3

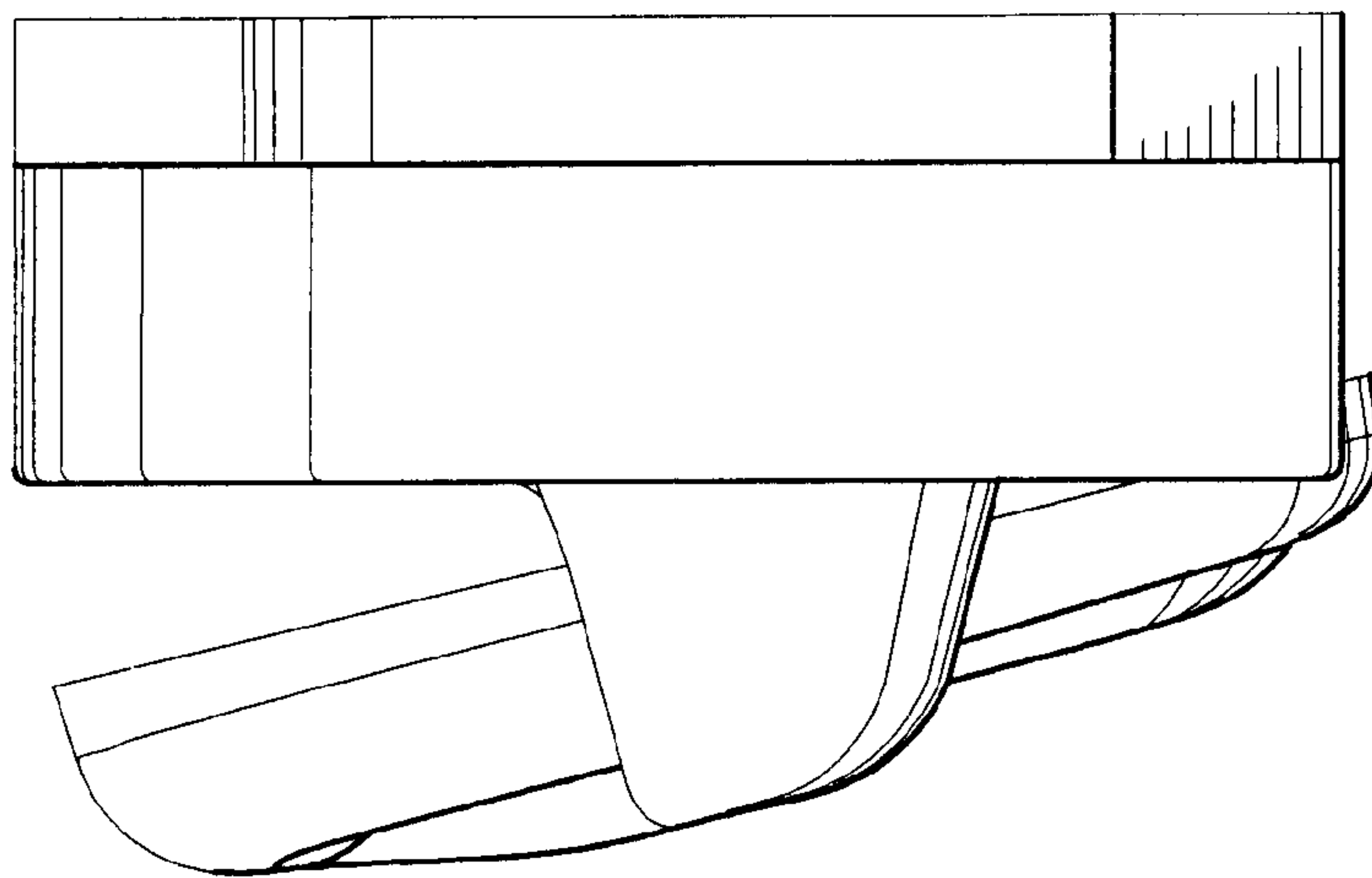


Fig. 4

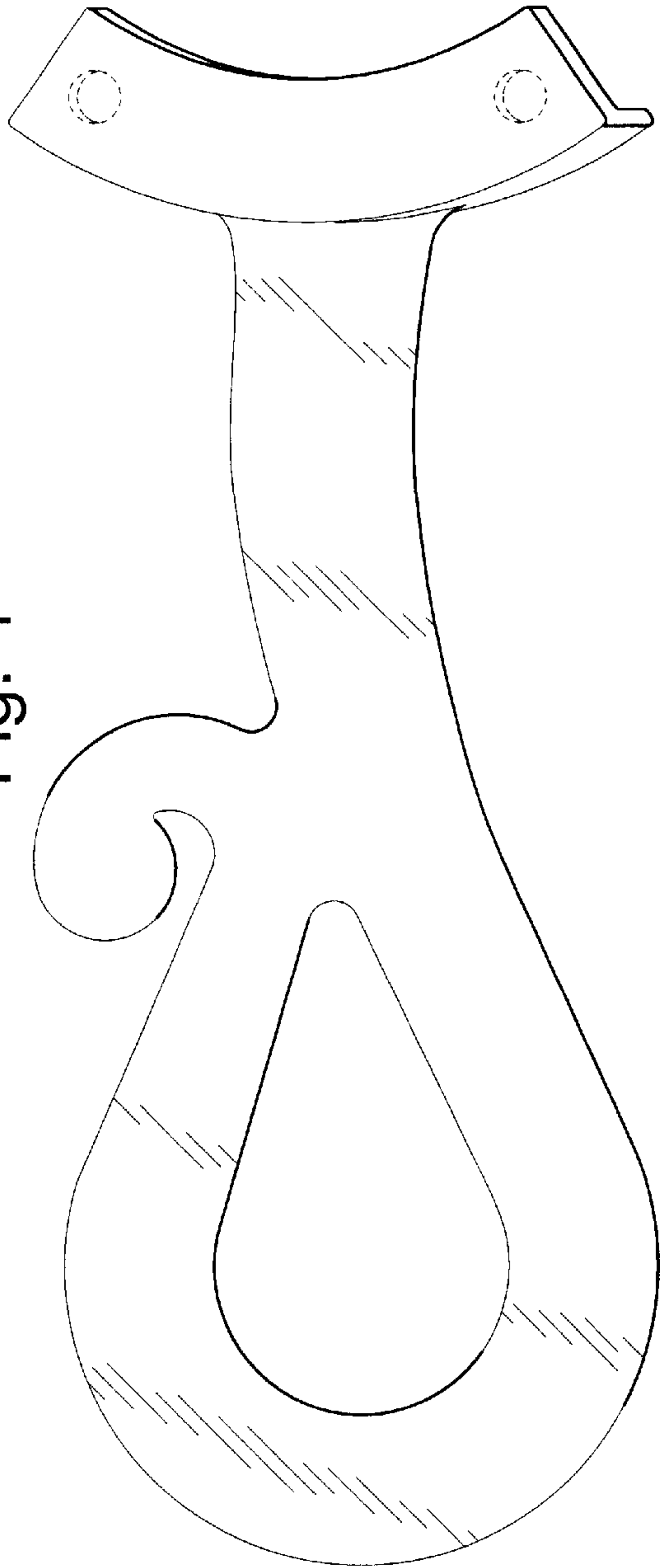


Fig. 5

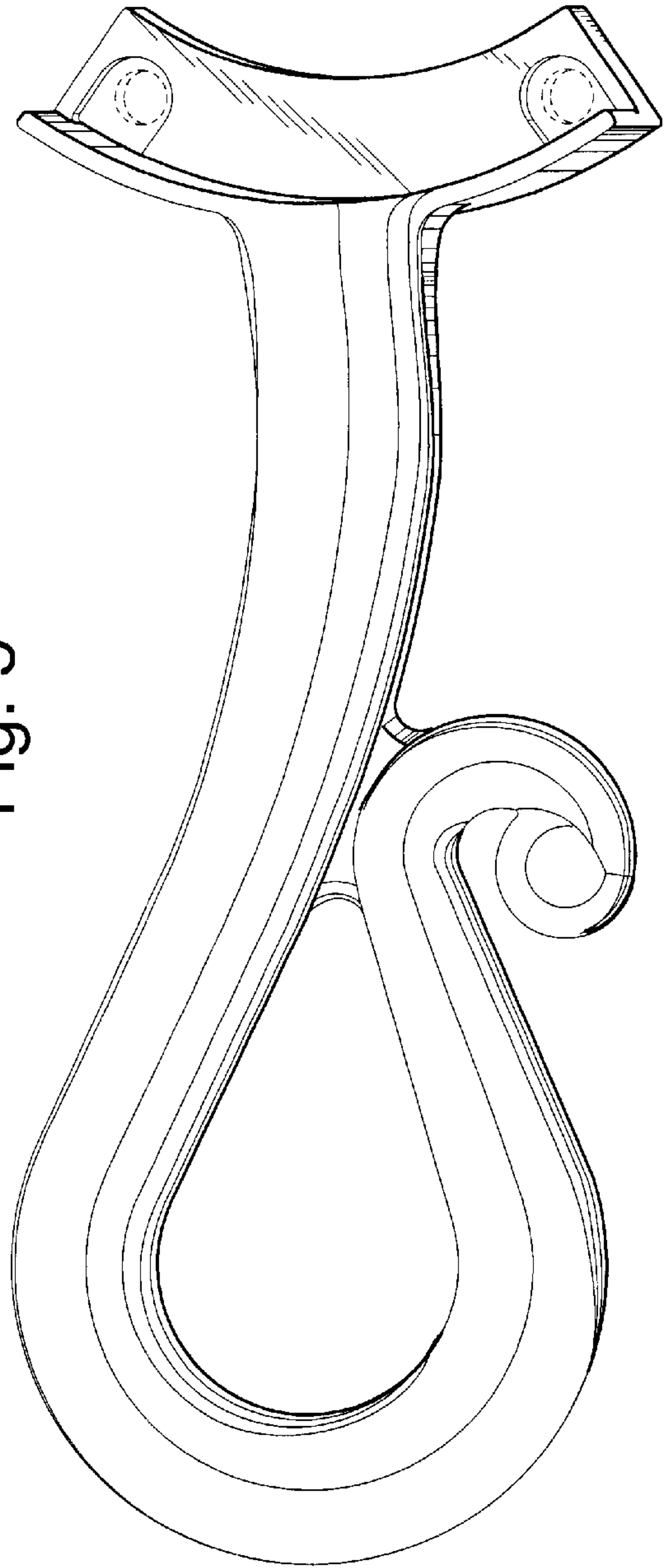


Fig. 6

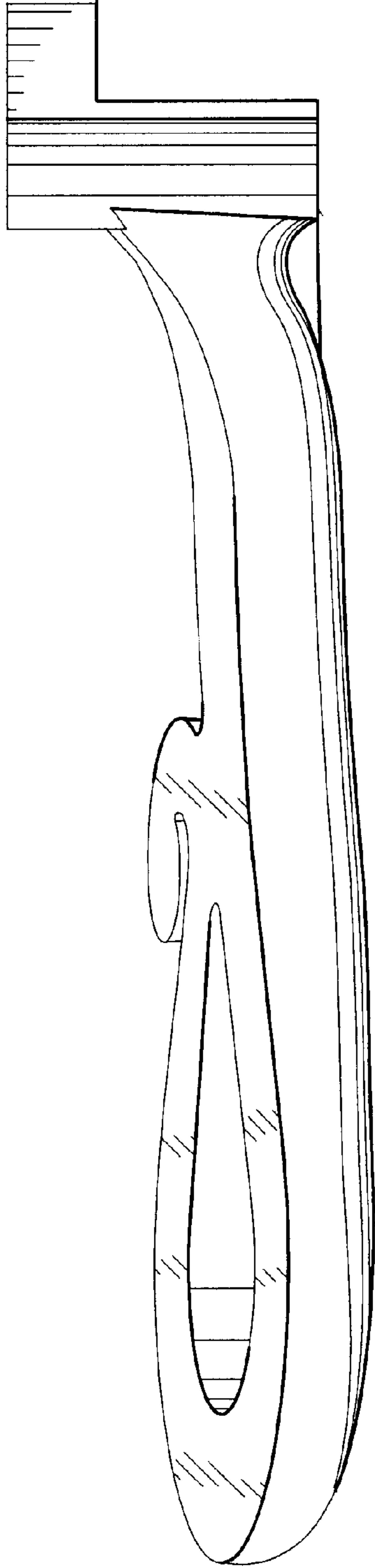


Fig. 7

