



US00D477394S

(12) **United States Design Patent**
Thomas, Jr.

(10) **Patent No.:** **US D477,394 S**

(45) **Date of Patent:** **** Jul. 15, 2003**

(54) **CEILING FAN MOTOR HOUSING**

(75) **Inventor:** **James C. Thomas, Jr.**, Germantown, TN (US)

(73) **Assignee:** **Hunter Fan Company**, Memphis, TN (US)

(**) **Term:** **14 Years**

(21) **Appl. No.:** **29/166,877**

(22) **Filed:** **Sep. 4, 2002**

(51) **LOC (7) Cl.** **23-04**

(52) **U.S. Cl.** **D23/411**

(58) **Field of Search** D23/411, 377, D23/379, 385; 416/5, 170 R; 392/364

(56) **References Cited**

U.S. PATENT DOCUMENTS

D297,456 S	8/1988	Pearce	D23/385
D349,336 S	8/1994	Tsuji	D23/377
D352,997 S	* 11/1994	DiPasquale	D23/411
D360,941 S	* 8/1995	Wang	D23/411
D368,308 S	* 3/1996	Davis, Jr.	D23/411
D377,084 S	* 12/1996	DiPasquale	D23/411

OTHER PUBLICATIONS

2001 Hunter Prestige Catalog(1886 Series, Salinas, Dimensions).

Casablanca Fan Company 2002 Product Catalog (Aegean-p. 26, Campana-p. 37).

* cited by examiner

Primary Examiner—Lisa Lichtenstein

(74) *Attorney, Agent, or Firm*—Baker Donelson

(57) **CLAIM**

The ornamental design for a ceiling fan motor housing, as shown and described.

DESCRIPTION

FIG. 1 is a perspective view of a ceiling fan motor housing showing my new design.

FIG. 2 is a right side view thereof, the left side view being the same thereof.

FIG. 3 is a front view thereof, the rear view being the same thereof.

FIG. 4 is a bottom view thereof; and,

FIG. 5 is a top view thereof.

1 Claim, 3 Drawing Sheets

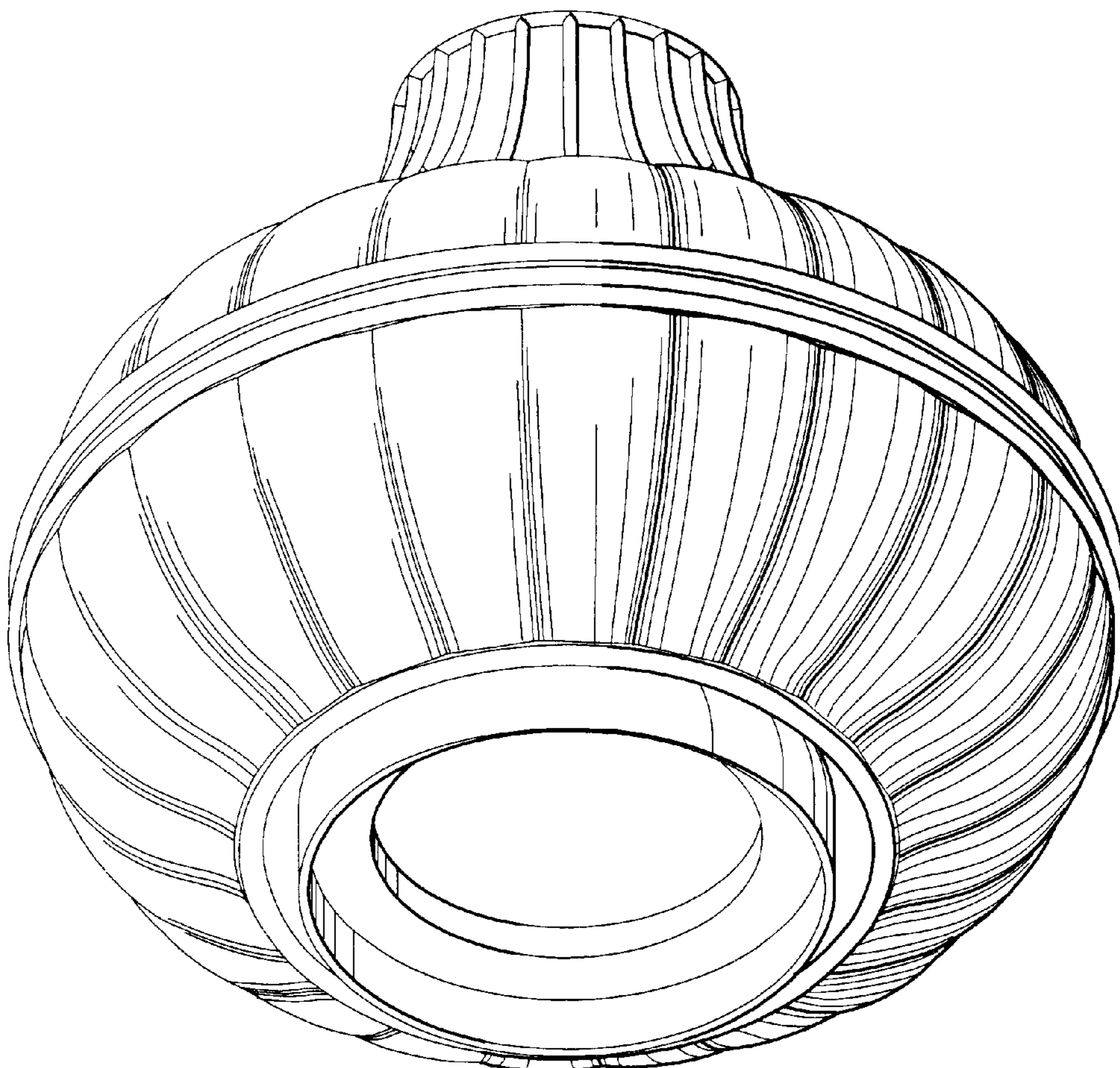


Fig. 1

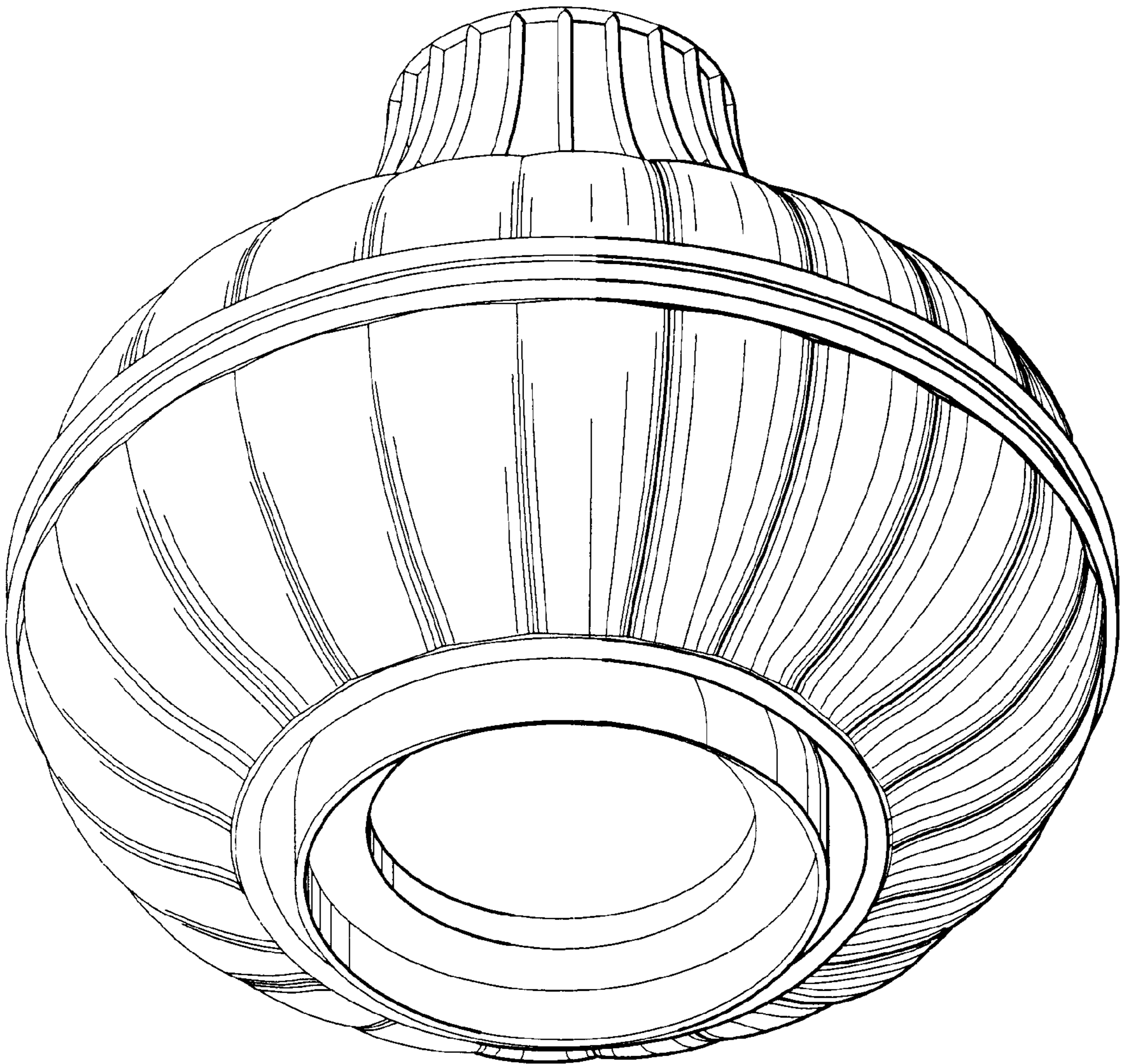


Fig. 2

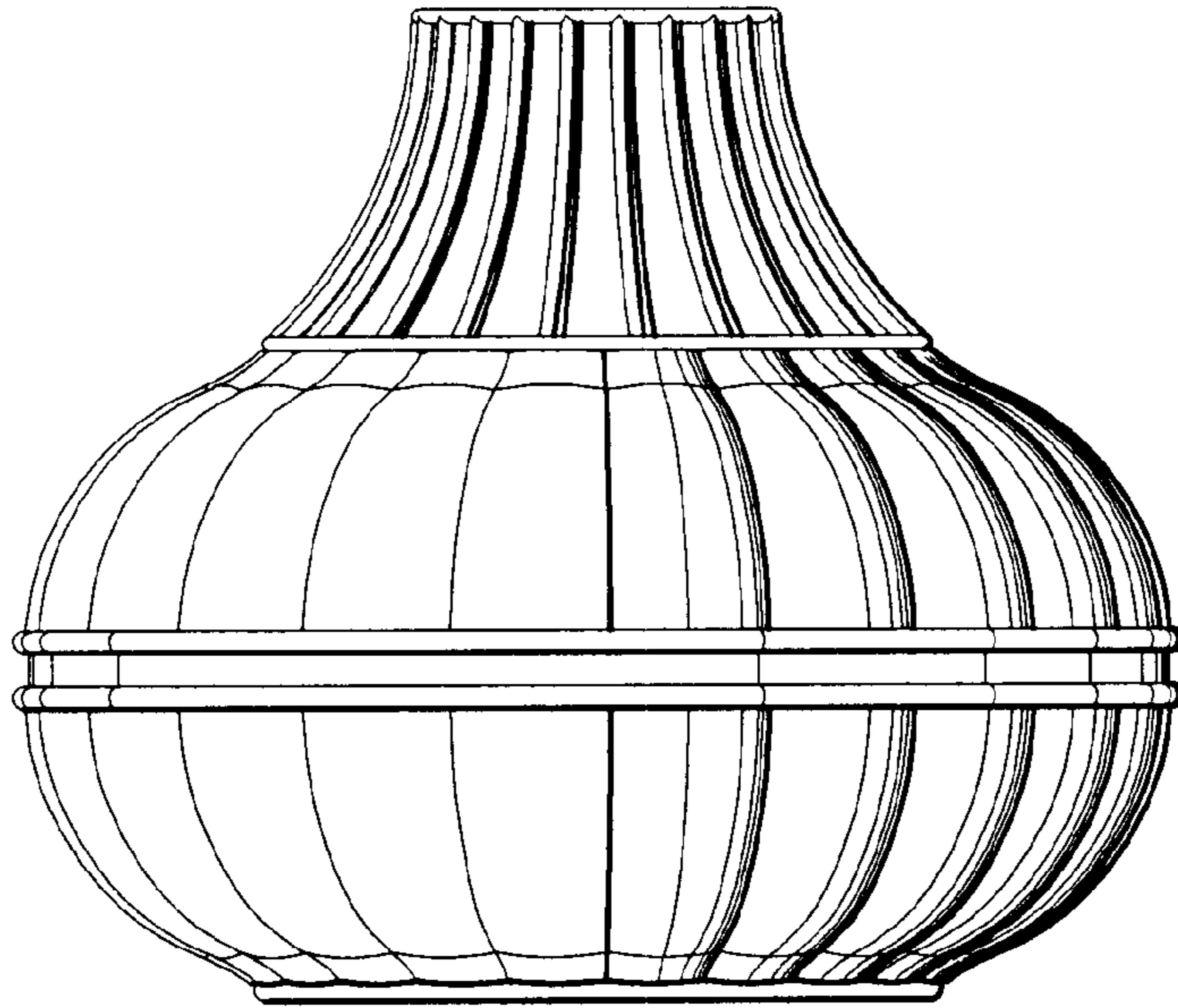


Fig. 3

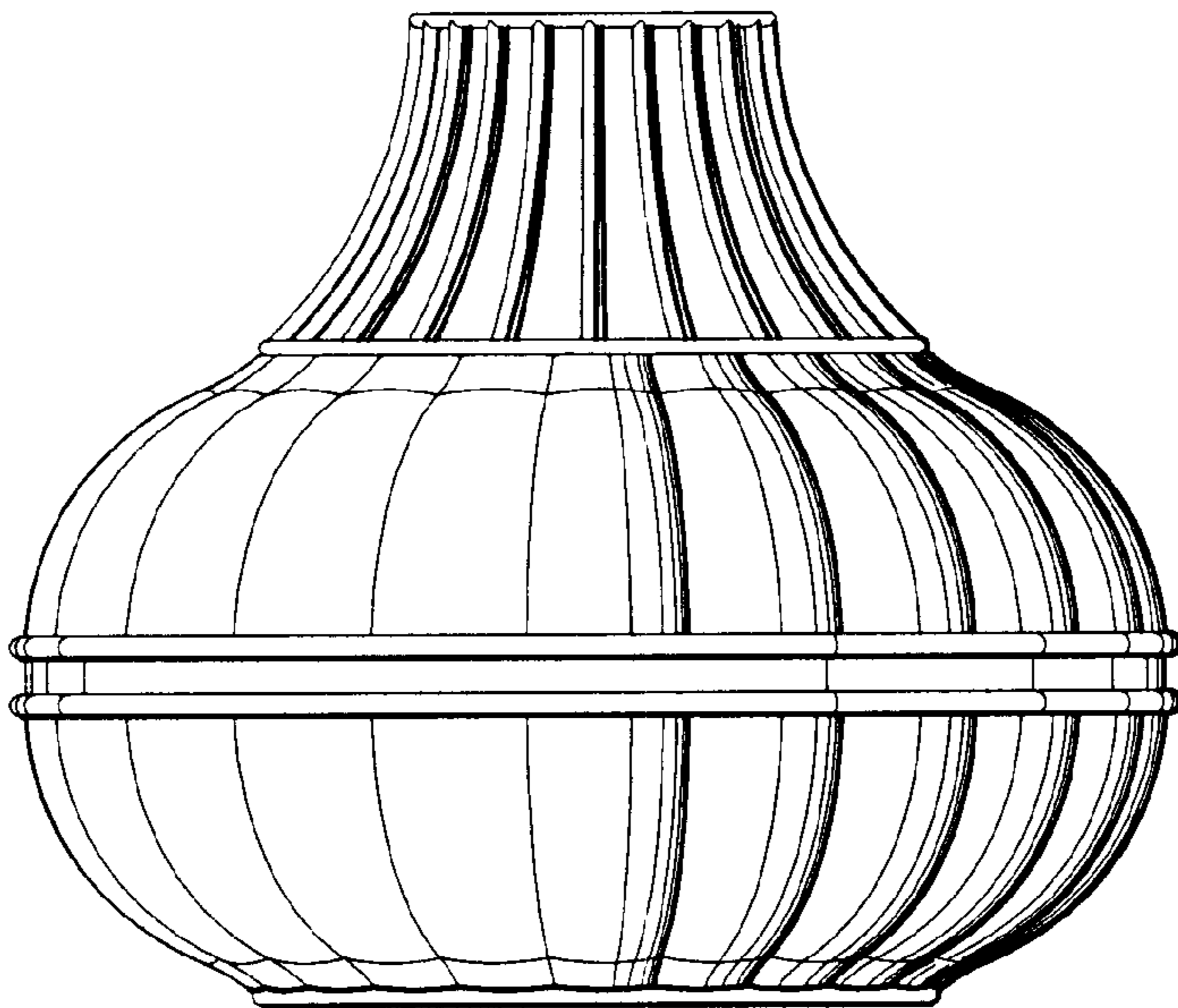


Fig. 4

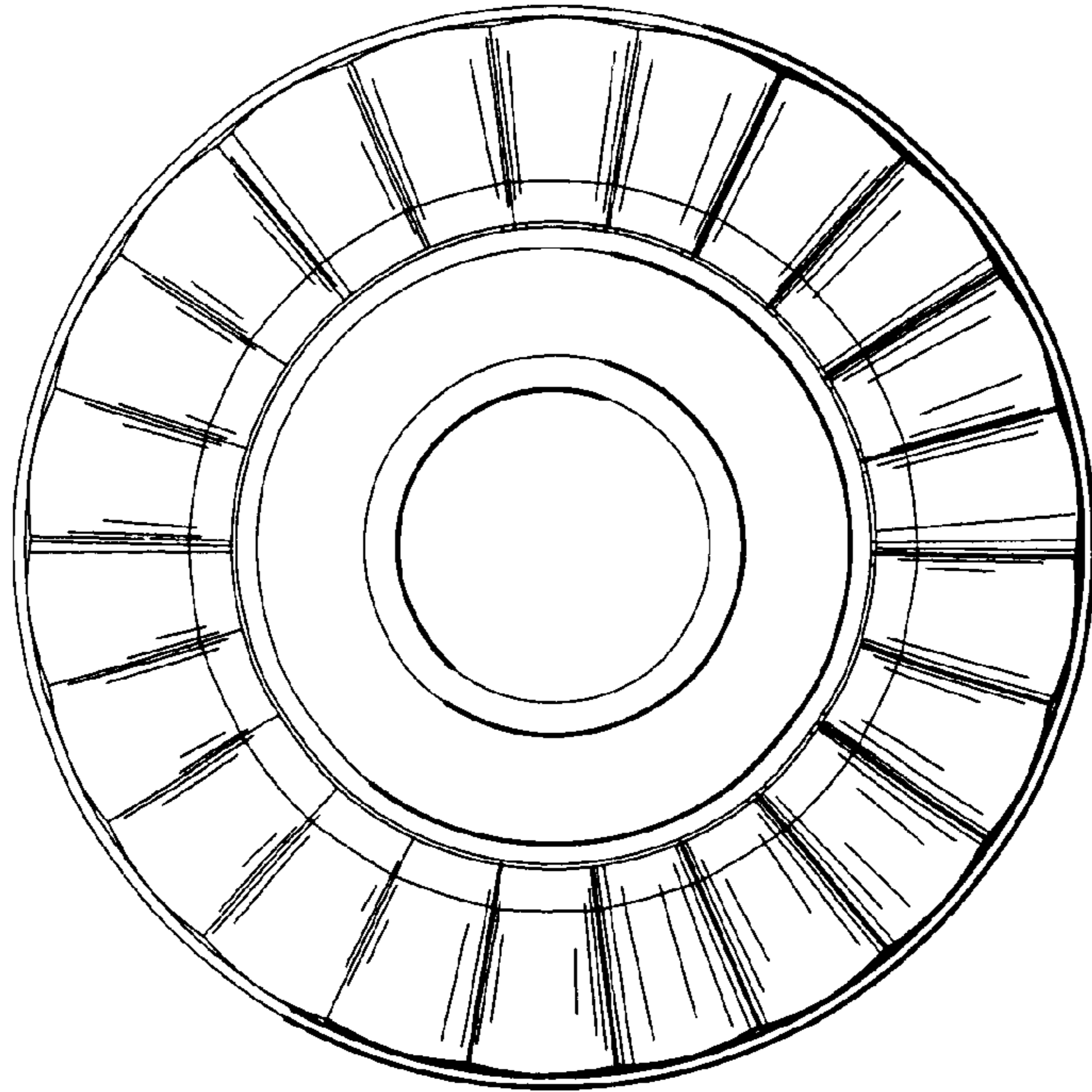


Fig. 5

