



US00D477392S

(12) **United States Design Patent**  
**Wright et al.**

(10) **Patent No.:** **US D477,392 S**

(45) **Date of Patent:** **\*\* Jul. 15, 2003**

(54) **COMBINED CEILING FAN MOTOR HOUSING AND LIGHT FIXTURE UNIT**

D387,149 S \* 12/1997 Tsuji ..... D23/377

\* cited by examiner

(76) Inventors: **Harold Edward Wright**, 1050 Barons Ct., Winter Garden, FL (US) 34787;  
**Lois Ann Wright**, 1050 Barons Ct., Winter Garden, FL (US) 34787

*Primary Examiner*—Lisa Lichtenstein

(\*\*) Term: **14 Years**

(57) **CLAIM**

The ornamental design for a combined ceiling fan motor housing and light fixture unit, as shown and described.

(21) Appl. No.: **29/156,050**

**DESCRIPTION**

(22) Filed: **Feb. 22, 2002**

(51) **LOC (7) Cl.** ..... **23-04**

(52) **U.S. Cl.** ..... **D23/377; D23/379; D23/385**

(58) **Field of Search** ..... D23/377, 379, D23/385, 411; D26/59, 81-86, 88, 57, 72; 416/5; 392/364; 362/96

FIG. 1 is a front elevational view of a combined ceiling fan motor housing and light fixture unit showing my new design, the rear elevational view being a mirror image thereof; FIG. 2 is a side view, taken for the left side of FIG. 1, the right side view being a mirror image thereof; FIG. 3 is a top plan view thereof; and, FIG. 4 is a bottom plan view thereof.

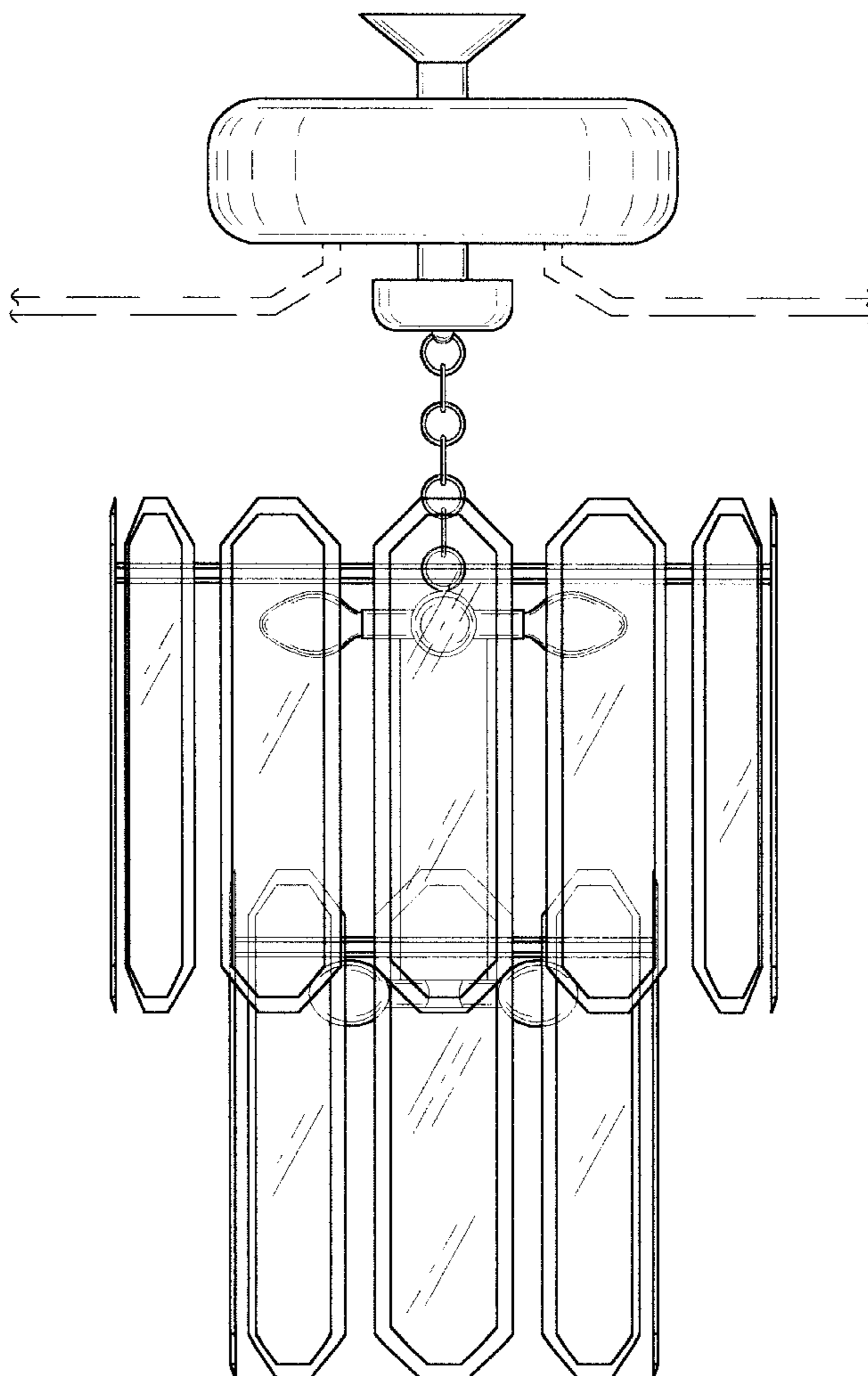
The broken line showing of environmental structure in FIGS. 1-4 is for illustrative purposes only and forms no part of the claimed design.

(56) **References Cited**

**U.S. PATENT DOCUMENTS**

D373,629 S \* 9/1996 Chan ..... D23/411

**1 Claim, 4 Drawing Sheets**



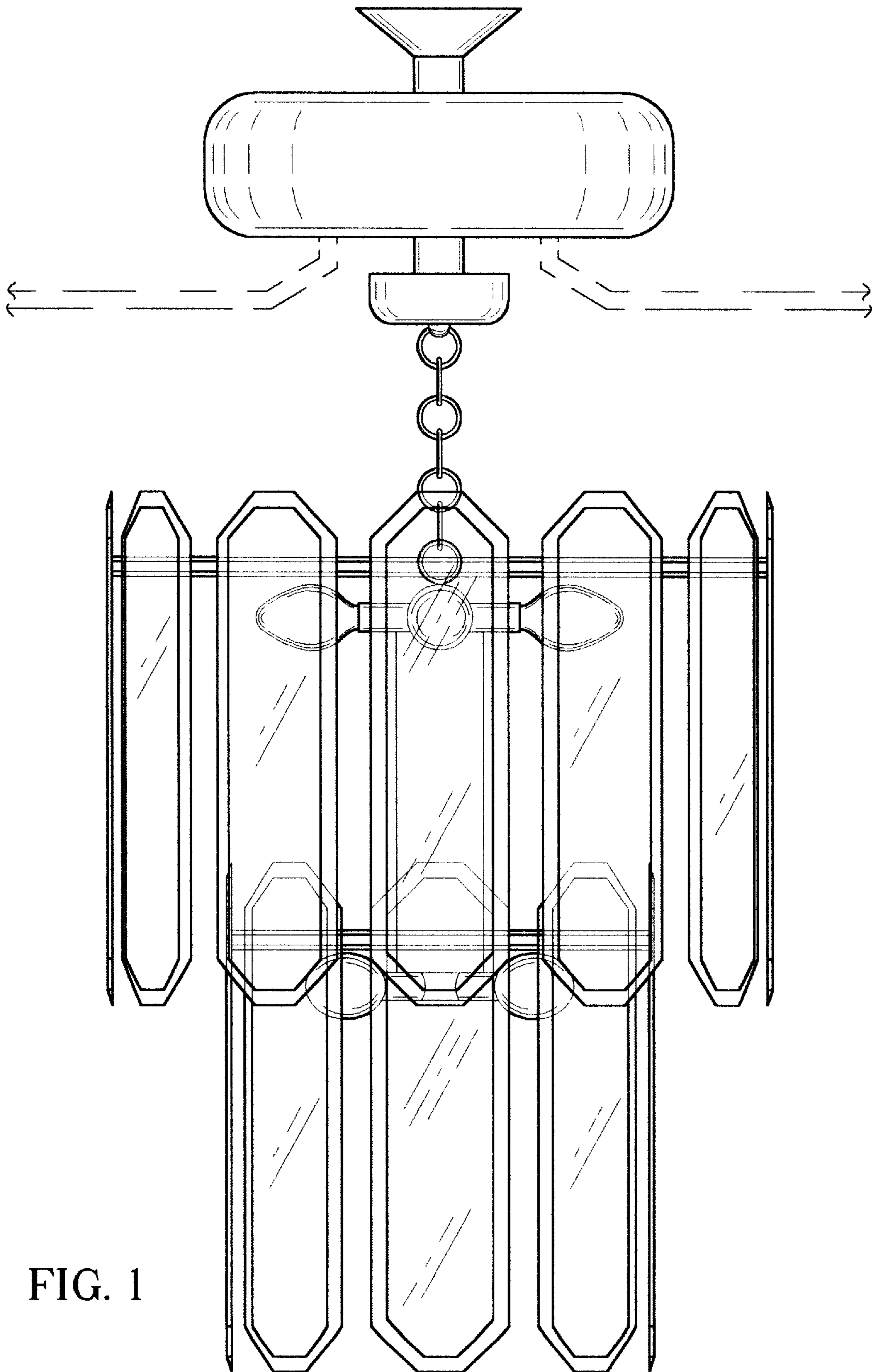


FIG. 1

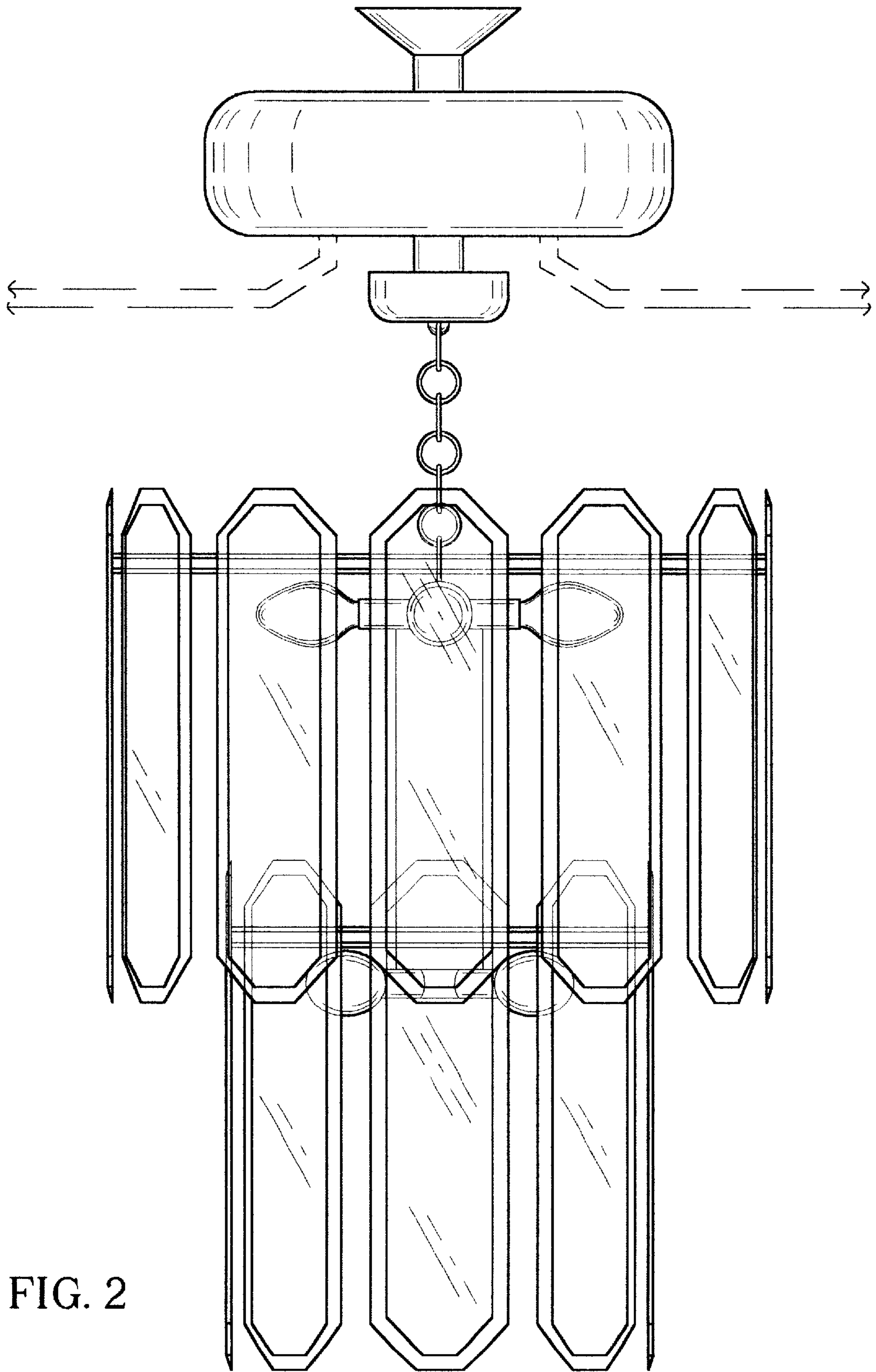


FIG. 2

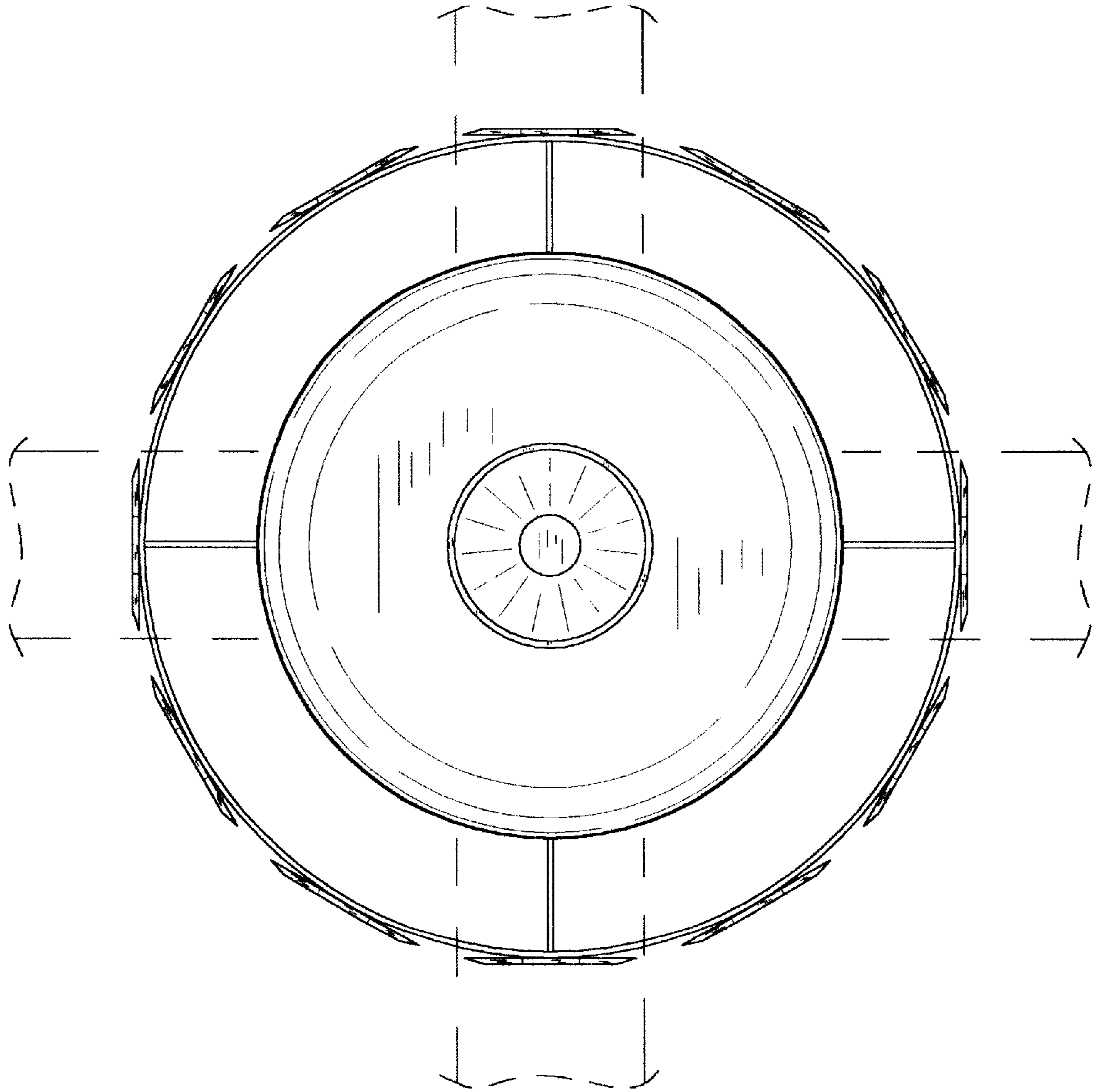


FIG. 3

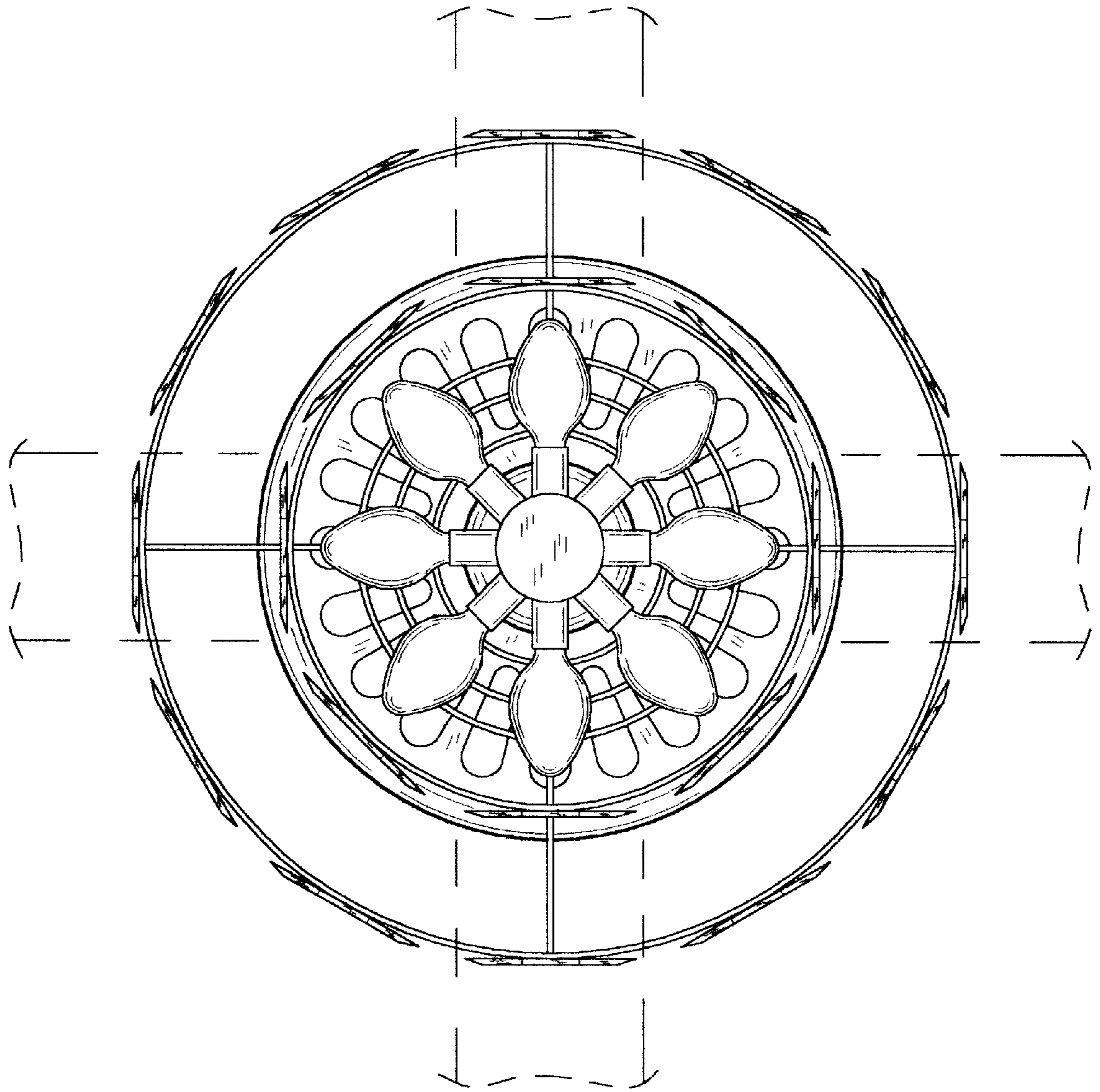


FIG. 4