



US00D477388S

(12) **United States Design Patent**
Shands

(10) **Patent No.:** **US D477,388 S**

(45) **Date of Patent:** **** Jul. 15, 2003**

(54) **DETACHABLE TOILET SEAT AND STORAGE CONTAINER**

D355,710 S * 2/1995 Hostetler et al. D23/299
D402,747 S * 12/1998 Yeatts, Jr. et al. D23/371
D447,685 S * 9/2001 Chagnon et al. D9/432 X

(76) Inventor: **Rosa V. Shands**, 119 - 15th St. South East, Washington, DC (US) 20003

* cited by examiner

(**) Term: **14 Years**

Primary Examiner—Louis S. Zarfaz
Assistant Examiner—Robert A. Delehanty

(21) Appl. No.: **29/157,358**

(57) **CLAIM**

(22) Filed: **Mar. 19, 2002**

The ornamental design for a detachable toilet seat and storage container, as shown and described.

(51) **LOC (7) Cl.** **23-02**

DESCRIPTION

(52) **U.S. Cl.** **D23/311; D23/299; D23/296**

(58) **Field of Search** D23/270–271, D23/273–274, 295–301, 303, 309, 311–312; 4/663–664, 667, 300, 312, 315–316, 444, 456, 473, 478, 483, 217, 234, 237–239, 242.1, 244.3, 245.1, 245.6, 902, DIG. 6, DIG. 8

FIG. 1 is a top view of a detachable toilet seat and storage container showing my new design.

FIG. 2 is a bottom view of the detachable toilet seat and storage container.

FIG. 3 is a side view of the detachable toilet seat and storage container.

FIG. 4 is a rear end view of the detachable toilet seat and storage container.

FIG. 5 is a front end view of the detachable toilet seat and storage container; and,

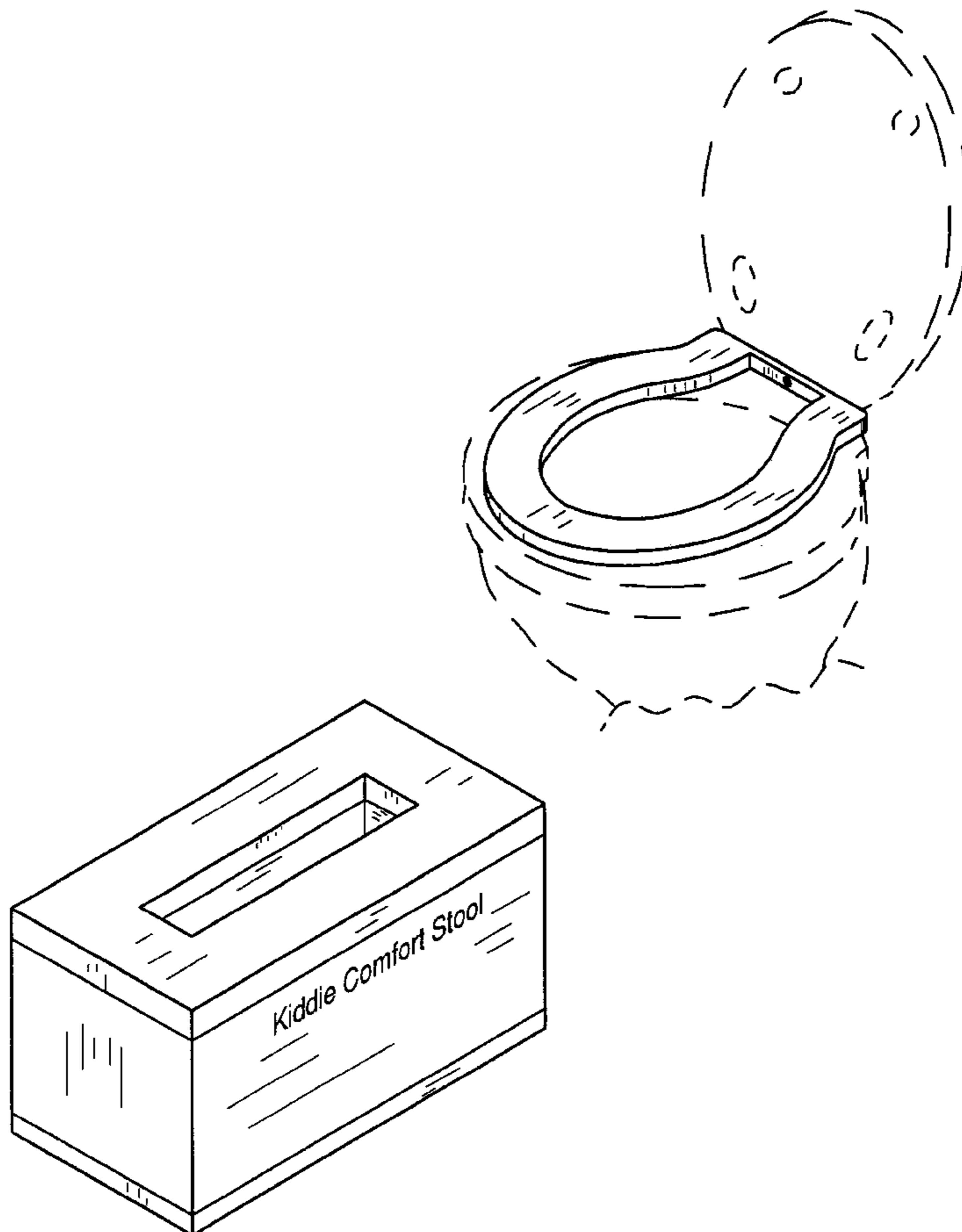
FIG. 6 is a reduced perspective view of the detachable seat and storage container.

(56) **References Cited**

U.S. PATENT DOCUMENTS

- 2,893,017 A * 7/1959 Beck D23/299 X
- 3,070,810 A * 1/1963 Jones D23/299 X
- 3,325,003 A * 6/1967 Bilezerian 206/494
- 3,599,249 A * 8/1971 Reed 4/451
- 4,997,105 A * 3/1991 Fischer 221/45

1 Claim, 6 Drawing Sheets



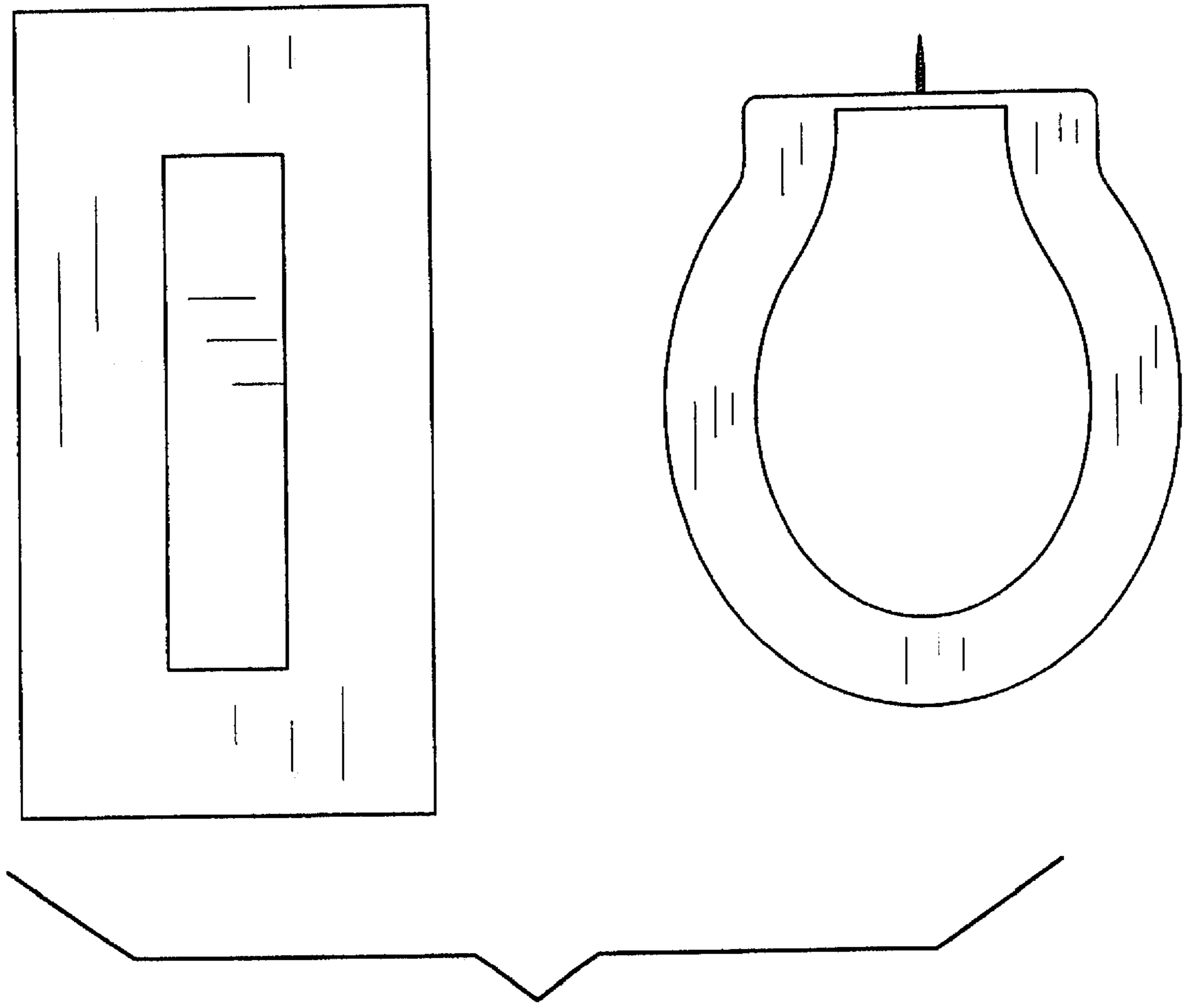


FIG. 1

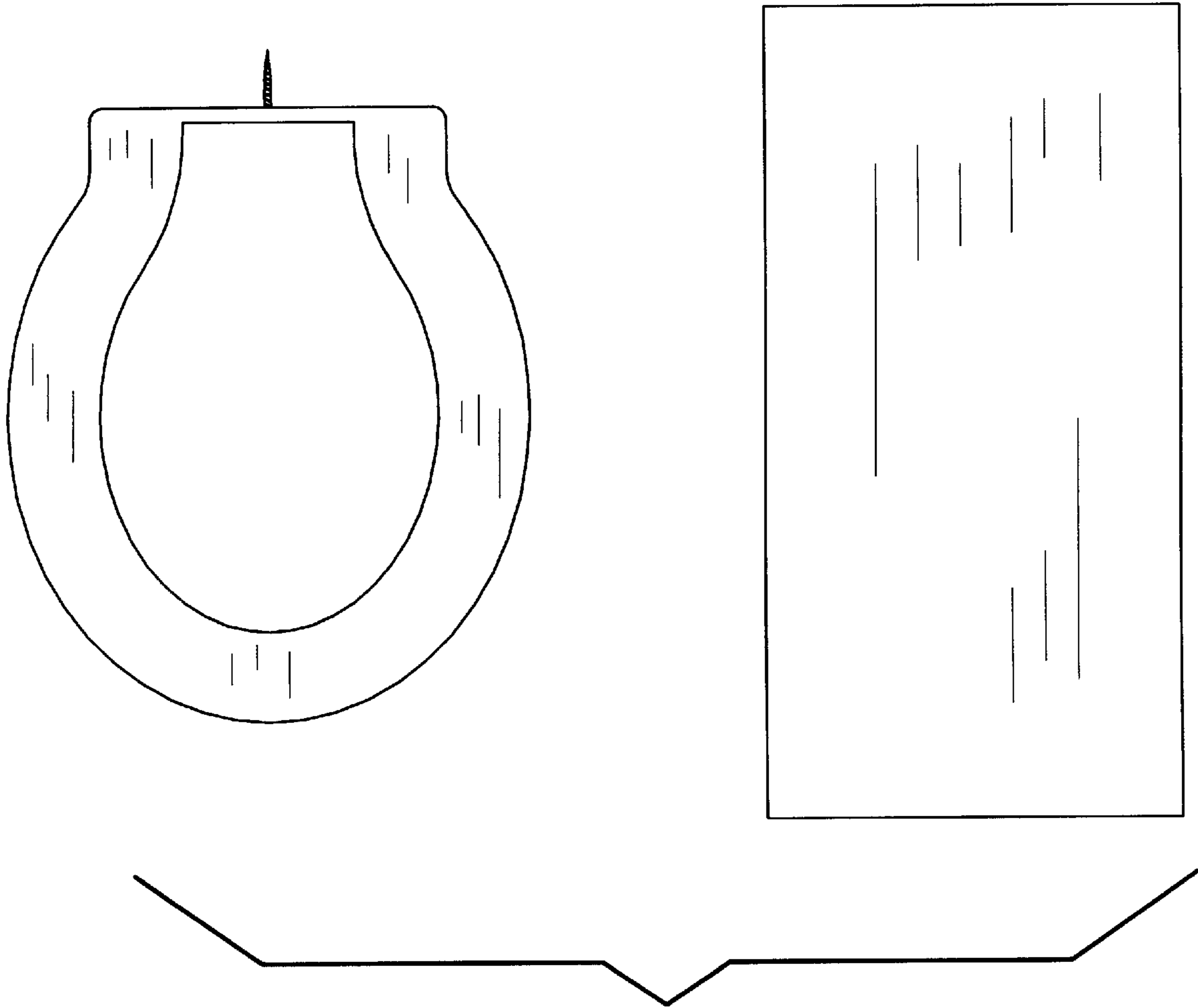


FIG. 2

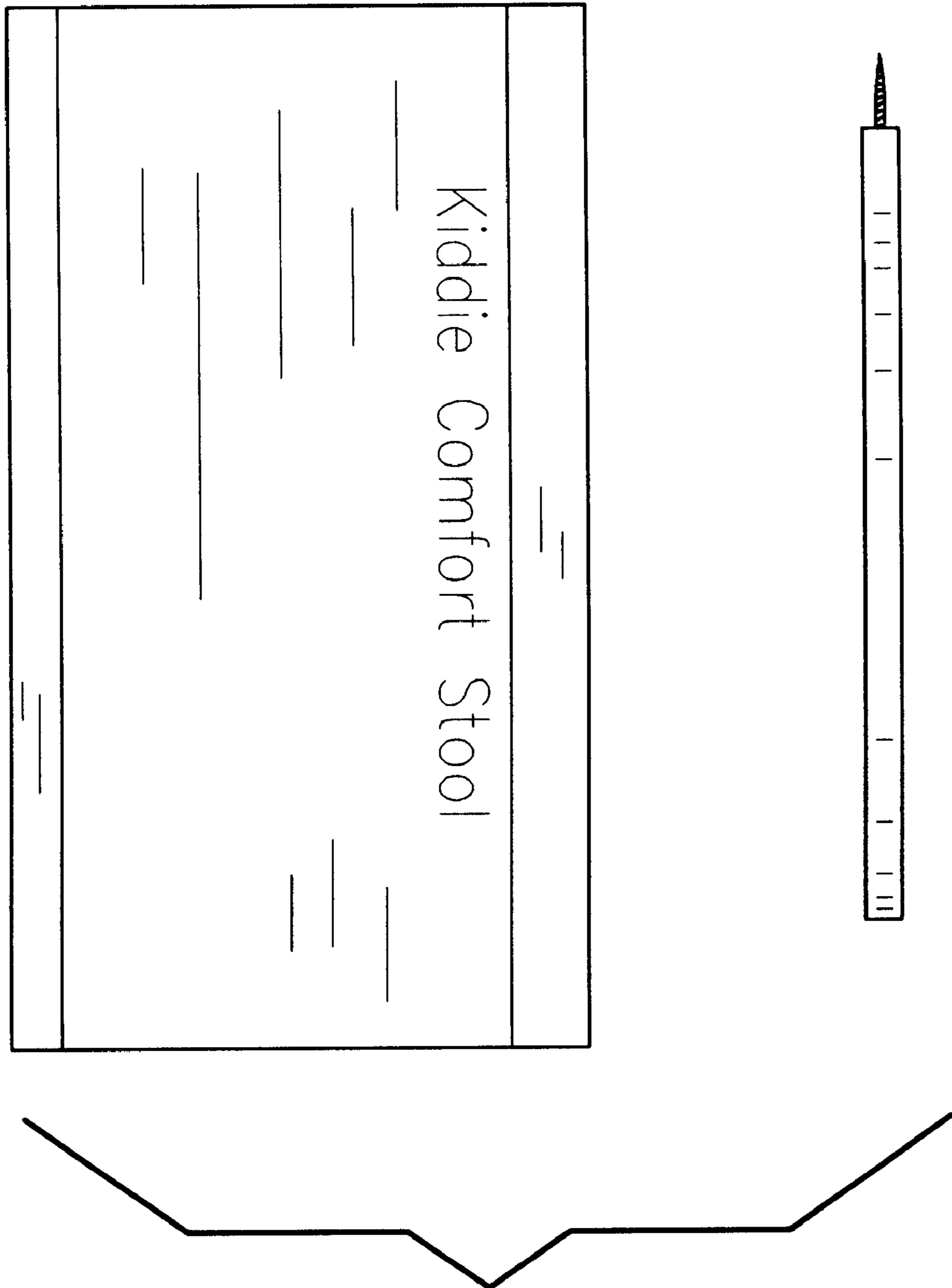


FIG. 3

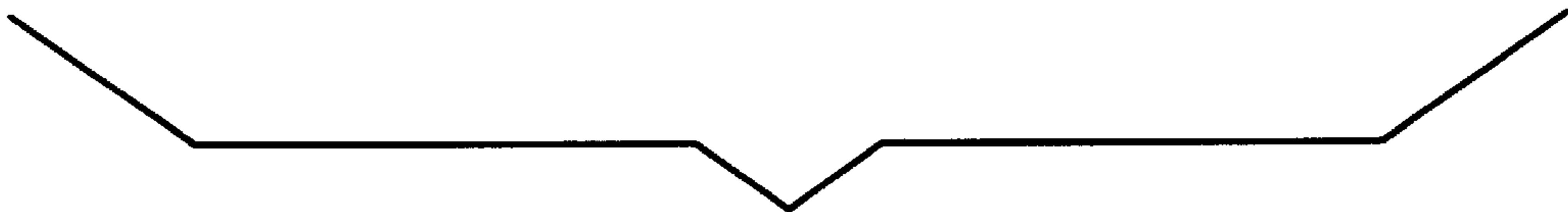
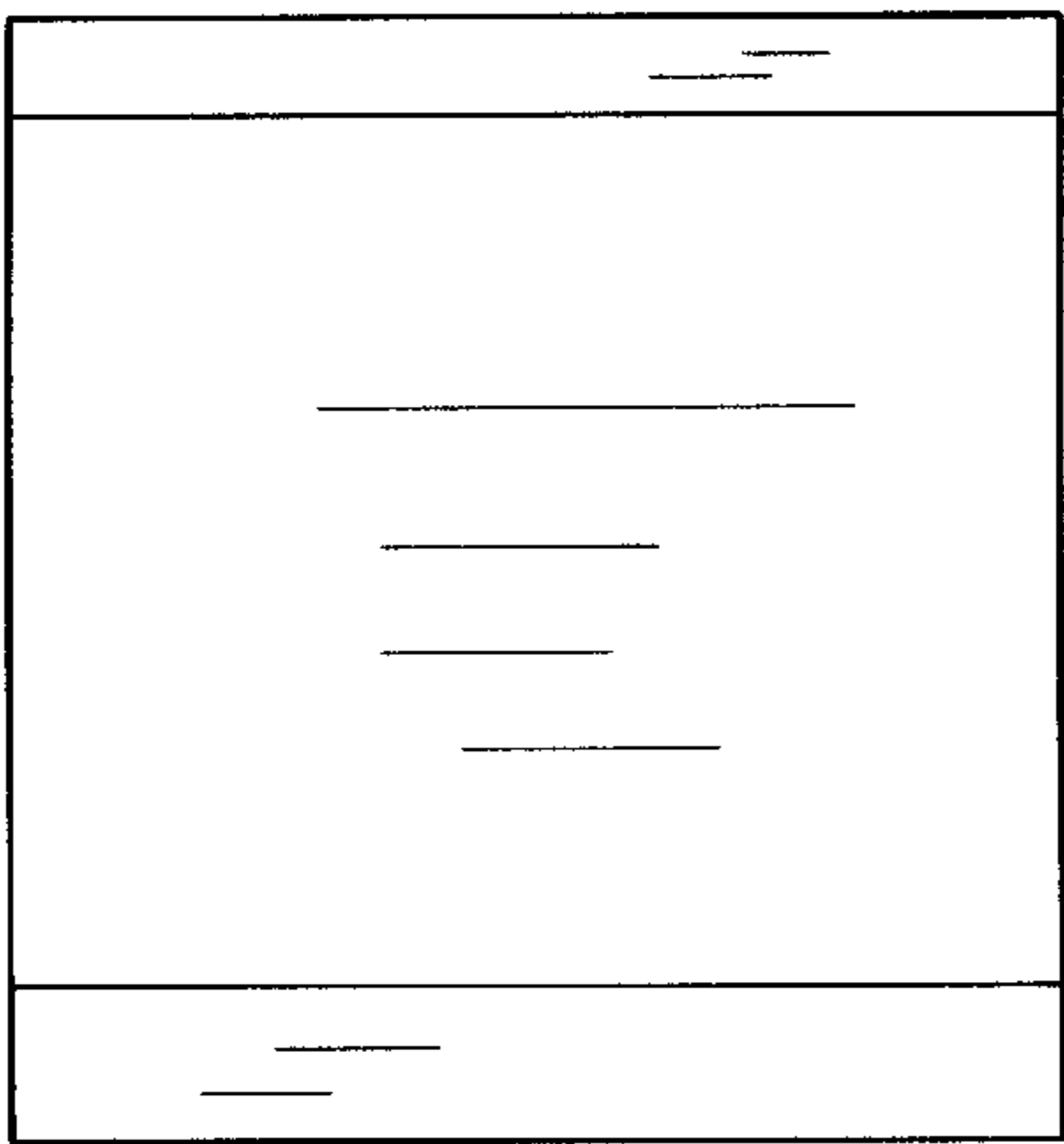


FIG. 4

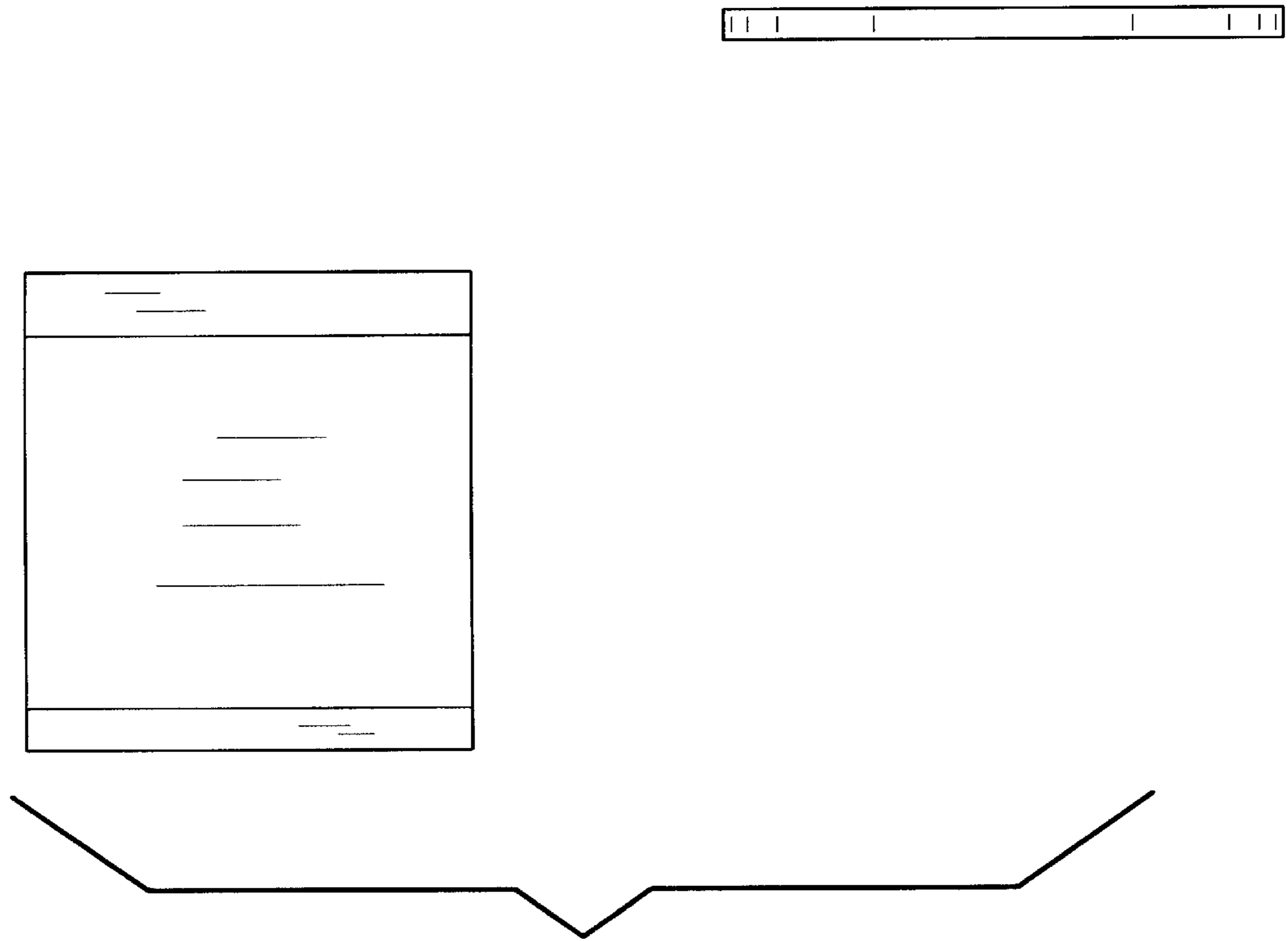


FIG. 5

