



US00D477387S

(12) **United States Design Patent**  
**Tani et al.**

(10) **Patent No.:** **US D477,387 S**

(45) **Date of Patent:** **\*\* Jul. 15, 2003**

(54) **WATER CLOSET**

D460,811 S \* 7/2002 Moll ..... D23/301

(75) Inventors: **Minoru Tani**, Fukuoka (JP); **Osamu Miura**, Fukuoka (JP)

**OTHER PUBLICATIONS**

A water closet design, Interiors, issued on Aug. 31, 1988, p. 30 Japan (The public documentation No. HB02003530 assigned by Design Department, Japan Patent Office).

(73) Assignee: **Toto Ltd.**, Fukuoka (JP)

(\*\*) Term: **14 Years**

\* cited by examiner

(21) Appl. No.: **29/154,677**

*Primary Examiner*—Louis S. Zarfes

(22) Filed: **Jan. 29, 2002**

*Assistant Examiner*—Robert A. Delehanty

(51) **LOC (7) Cl.** ..... **23-02**

(52) **U.S. Cl.** ..... **D23/301**

(58) **Field of Search** ..... D23/270–271,  
D23/273–274, 295–301, 303, 309, 313;  
4/663–664, 300, 329, DIG. 11, 316, DIG. 17,  
420, 420.3, 443–446, 449, 459–460, 902,  
353–354, 321, DIG. 12, DIG. 15

(74) *Attorney, Agent, or Firm*—Birch, Stewart, Kolasch & Birch, LLP

(57) **CLAIM**

The ornamental design for water closet, as shown and described.

(56) **References Cited**

**DESCRIPTION**

**U.S. PATENT DOCUMENTS**

D326,904 S	*	6/1992	Waldren	.....	D23/301
D438,939 S	*	3/2001	Kawamura	.....	D23/295
D443,346 S	*	6/2001	Kawamura	.....	D23/295
D453,556 S	*	2/2002	Kawamura	.....	D23/301
D457,607 S	*	5/2002	Moll	.....	D23/301

FIG. 1 is a front perspective view of a water closet showing our new design;

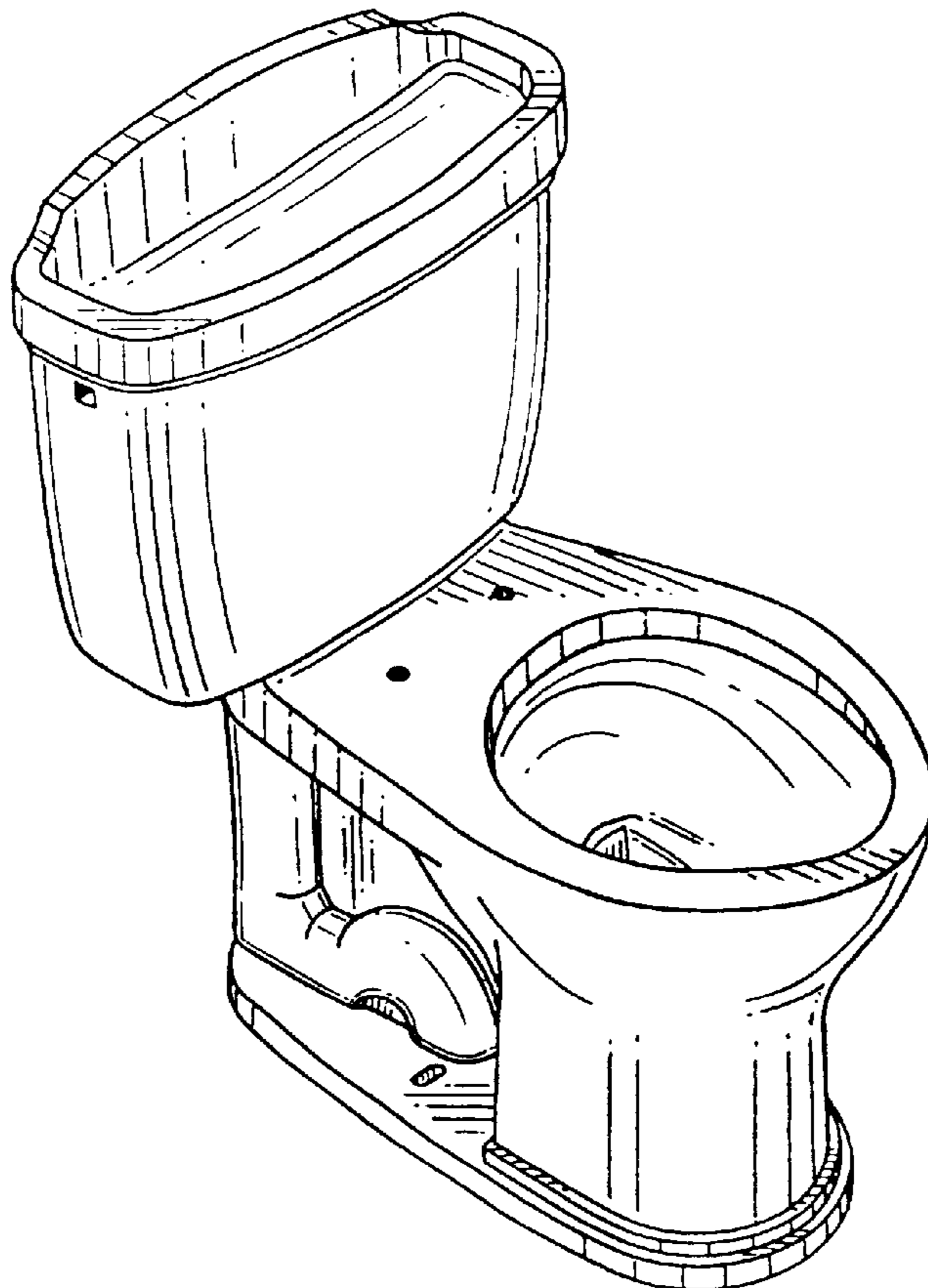
FIG. 2 is a front elevational view thereof;

FIG. 3 is a top plan view thereof;

FIG. 4 is a right side elevational view thereof; and,

FIG. 5 is a left side elevational view thereof.

**1 Claim, 2 Drawing Sheets**



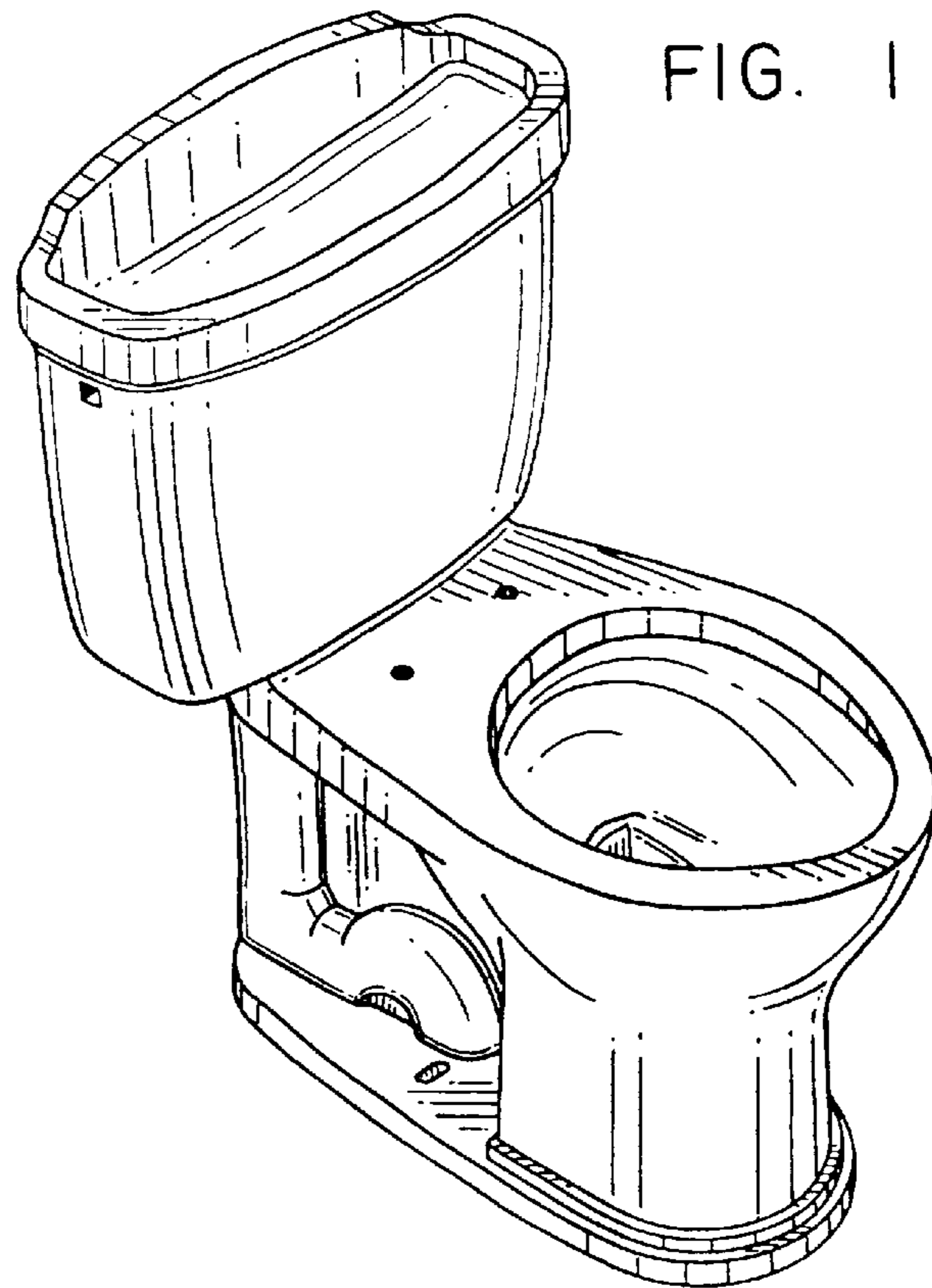


FIG. 2

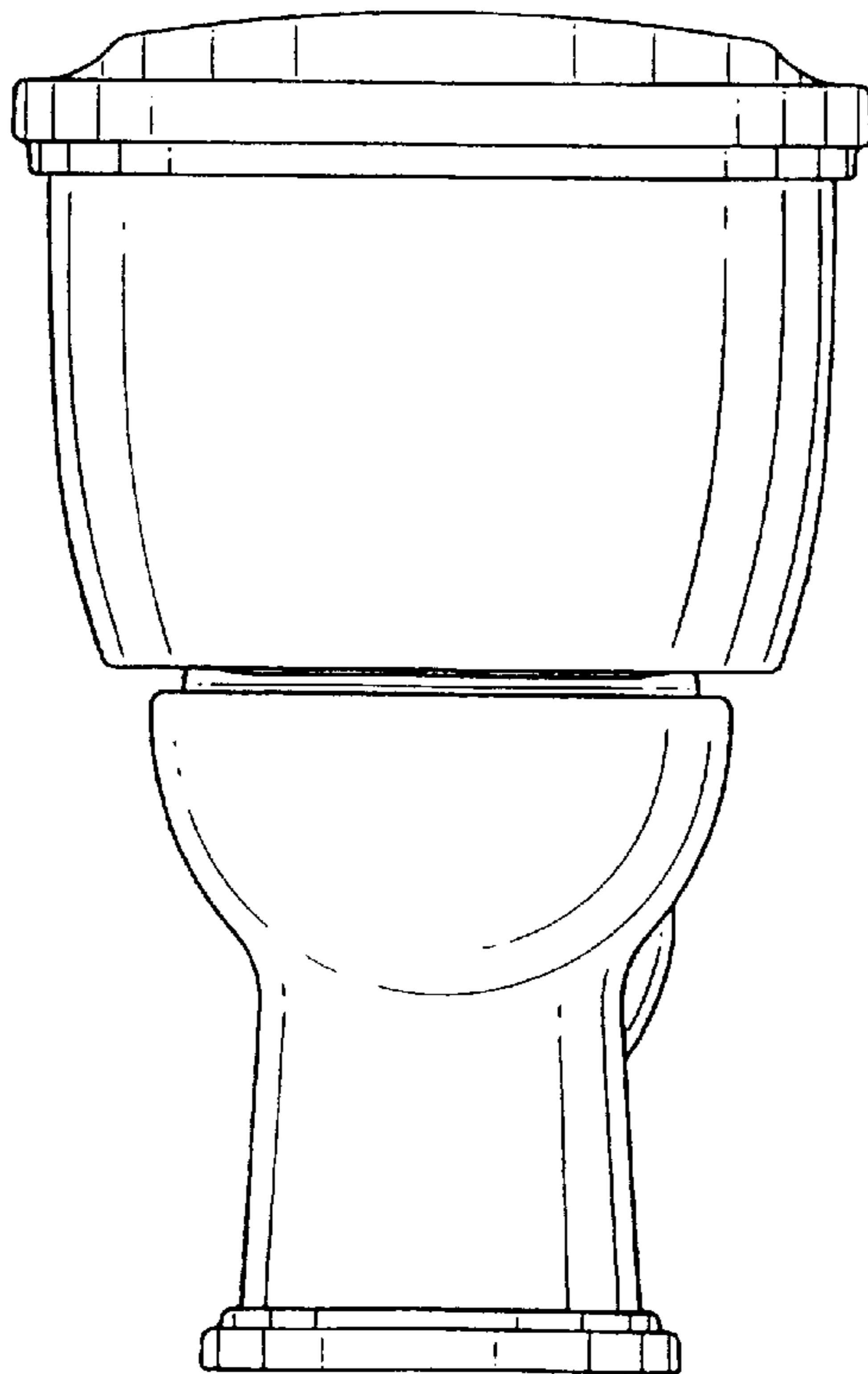


FIG. 3

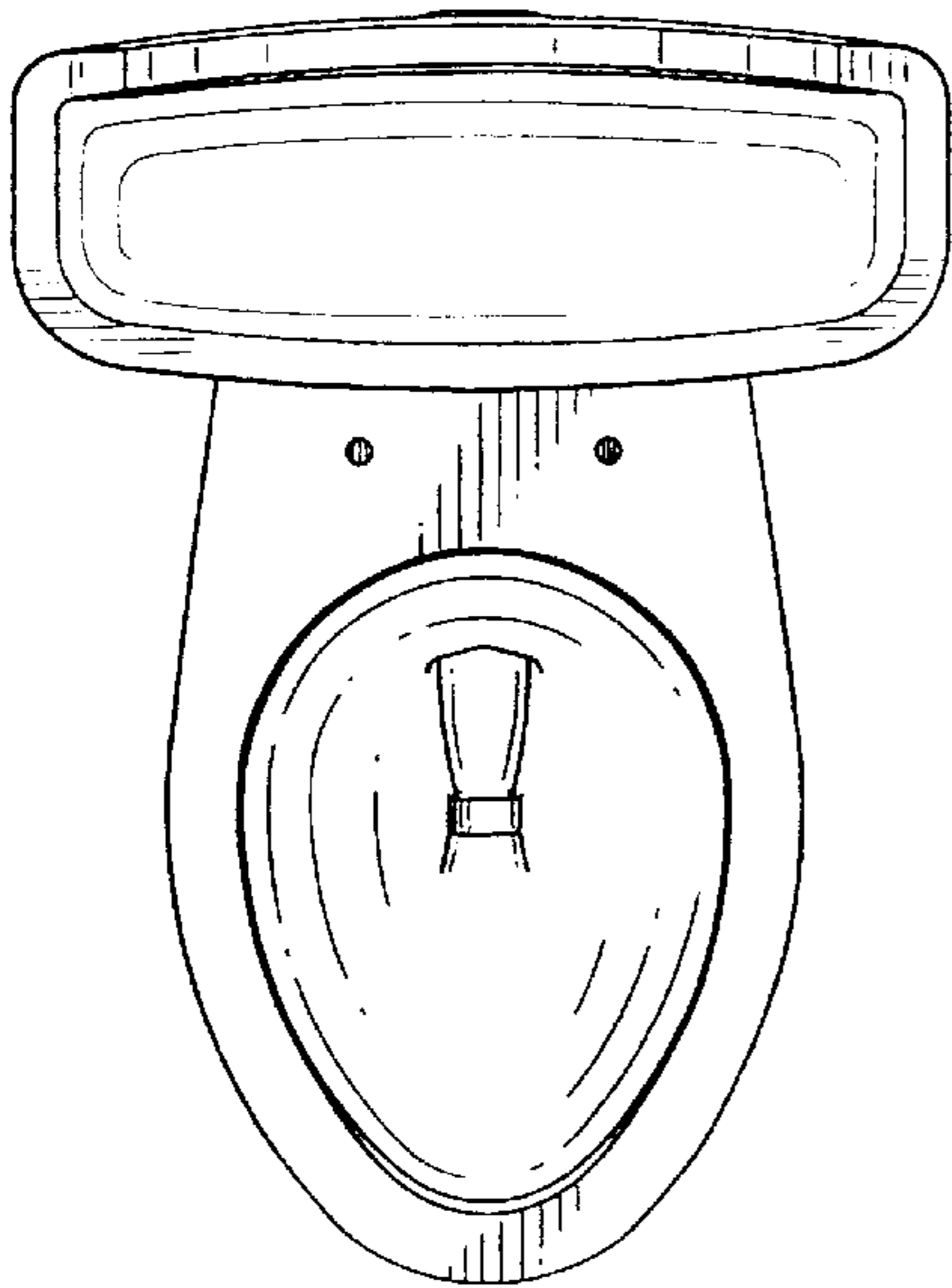


FIG. 4

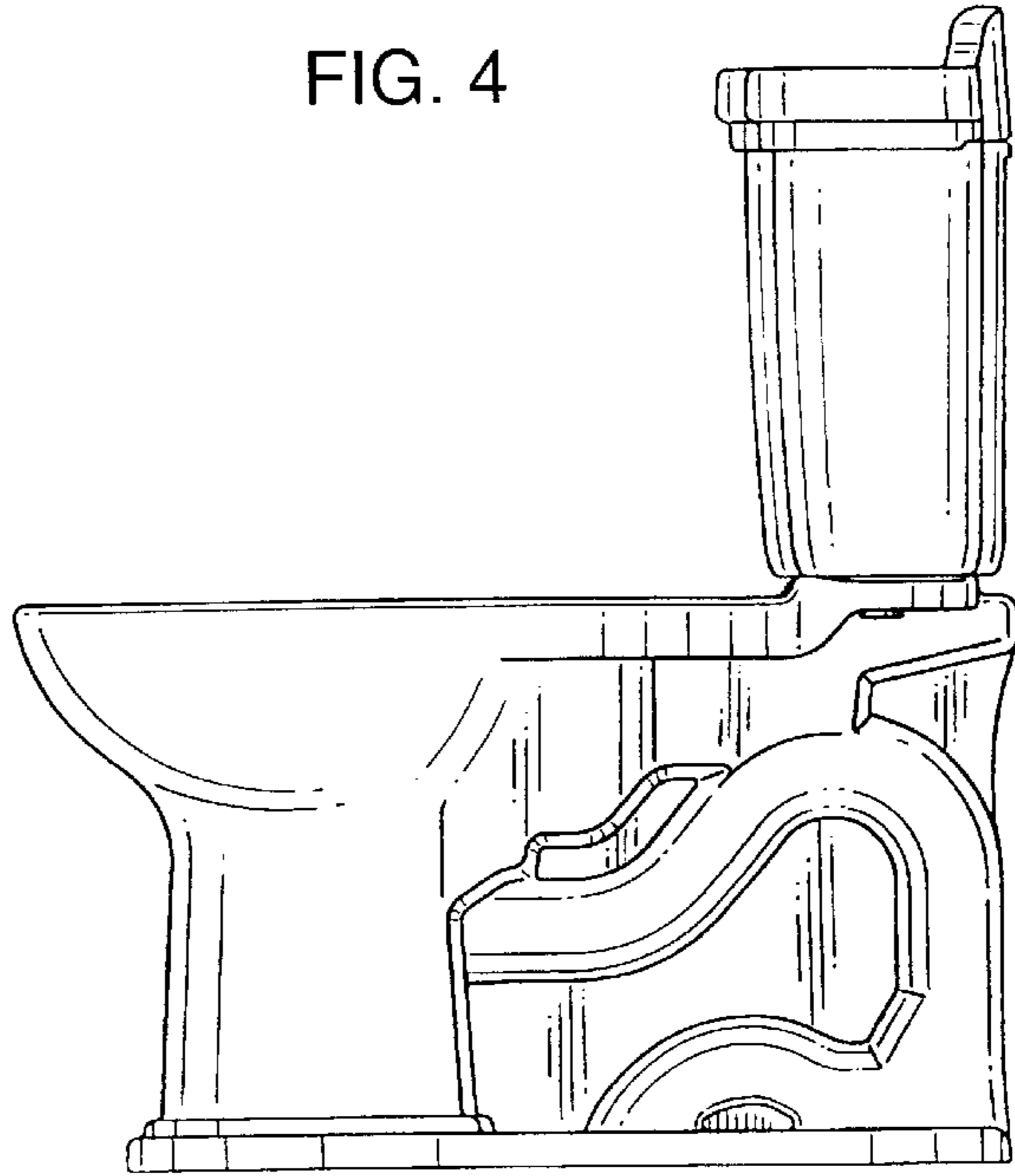


FIG. 5

