



US00D477384S

(12) **United States Design Patent**
Williams et al.

(10) **Patent No.:** **US D477,384 S**

(45) **Date of Patent:** **** Jul. 15, 2003**

(54) **PAINT SPRAYER**

(75) Inventors: **Mary Lynn Williams**, Brentwood, TN (US); **Robert Kyle Whitaker**, Mt. Juliet, TN (US); **Kinshun Yan**, New York, NY (US); **William H. Valls**, Loveland, OH (US)

(73) Assignee: **Campbell Hausfeld/Scott Fetzer Company**, Harrison, OH (US)

(**) Term: **14 Years**

(21) Appl. No.: **29/163,667**

(22) Filed: **Jul. 10, 2002**

(51) **LOC (7) Cl.** **23-01**

(52) **U.S. Cl.** **D23/225**

(58) **Field of Search** D23/213, 225;
239/302, 332, 308, 310, 316, 318

(56) **References Cited**

U.S. PATENT DOCUMENTS

817,819 A	4/1906	Walkup	
1,191,751 A	7/1916	Walkup	
1,272,438 A	7/1918	Heinrich	
1,899,222 A	2/1933	Werder	
1,900,668 A	3/1933	Roselund	
1,988,979 A	1/1935	Campbell	
1,992,426 A	2/1935	Herbsman et al.	299/89
2,372,678 A	4/1945	McKay	
2,626,185 A	1/1953	Roselund	299/59
2,743,949 A	5/1956	Nelson et al.	
3,367,578 A	2/1968	Juvinall et al.	239/15
3,507,309 A	4/1970	Johnson	141/18
D234,838 S	4/1975	Culling	D22/1
D235,063 S	* 5/1975	Gunzel et al.	D23/225
D235,544 S	6/1975	Bippus et al.	
3,892,359 A	7/1975	Dwyer, Jr. et al.	
D237,796 S	* 11/1975	Wagner	D23/225

D251,382 S	3/1979	Reed	
4,168,788 A	9/1979	Quinn	
4,572,438 A	2/1986	Traylor	239/708
D286,426 S	* 10/1986	Lin	D23/225
4,693,423 A	* 9/1987	Roe et al.	239/332
D295,214 S	4/1988	Miller	
D307,463 S	* 4/1990	Fushiya et al.	D23/225
D318,317 S	7/1991	Norman	
D331,095 S	* 11/1992	Steinberg	D23/225
5,657,909 A	8/1997	Barriac	
D397,420 S	8/1998	Campbell	
D432,372 S	10/2000	Iaciofano et al.	
D451,792 S	12/2001	Siebert et al.	
6,336,254 B1	1/2002	Graff et al.	16/422
D461,226 S	* 8/2002	Hunter	D23/225
6,502,763 B1	1/2003	McCann	239/119

OTHER PUBLICATIONS

Web page for PS 2001 Power Sprayer and Product Fact Sheet.

* cited by examiner

Primary Examiner—Robin V. Taylor

(74) *Attorney, Agent, or Firm*—Jones Day

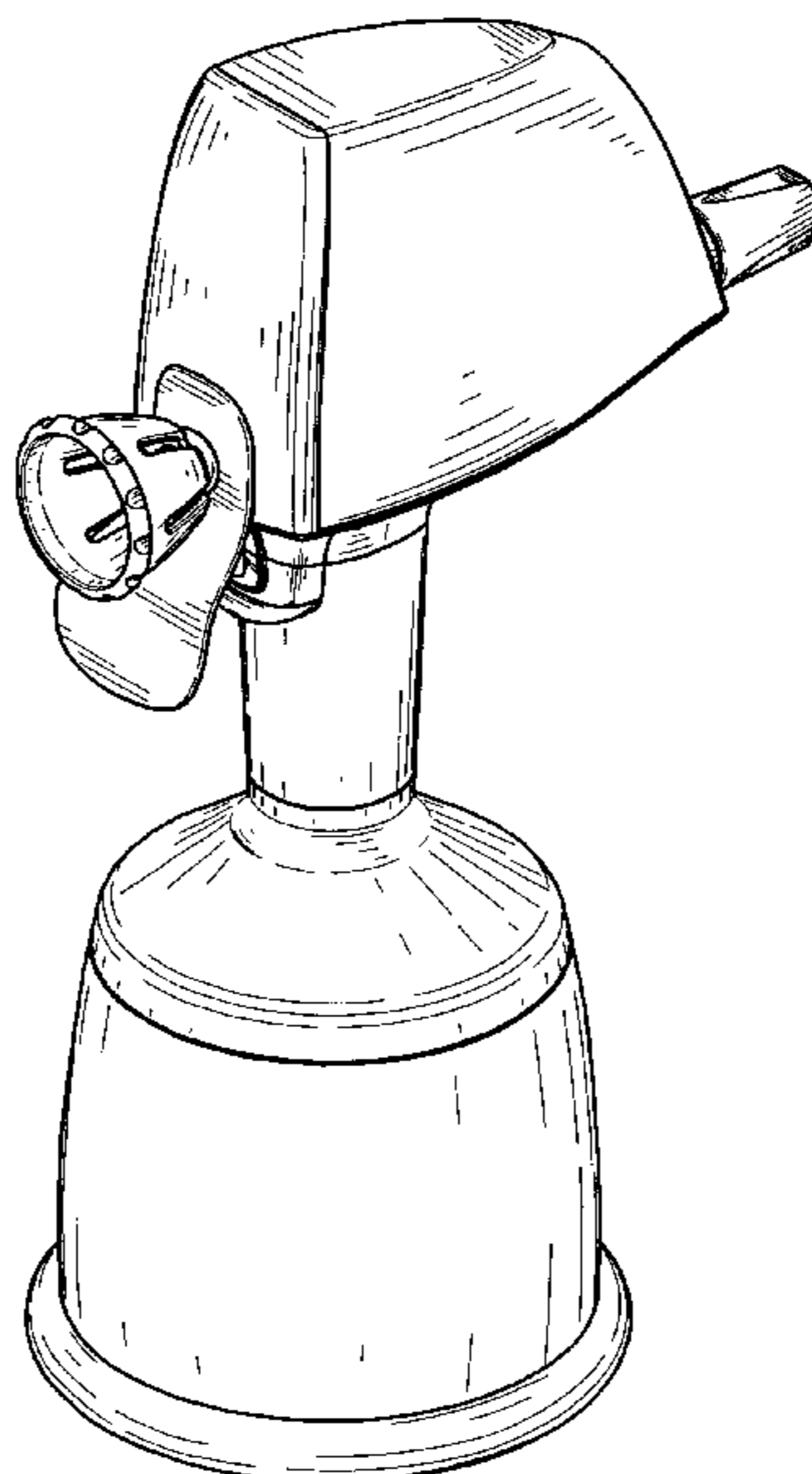
(57) **CLAIM**

The ornamental design for a paint sprayer, as shown and described.

DESCRIPTION

FIG. 1 is a perspective view of the paint sprayer of our new design;
FIG. 2 is a front view thereof;
FIG. 3 is a rear view thereof;
FIG. 4 is a left side view thereof, the opposite side view being a mirror image;
FIG. 5 is a top view thereof; and,
FIG. 6 is a bottom view thereof.

1 Claim, 2 Drawing Sheets



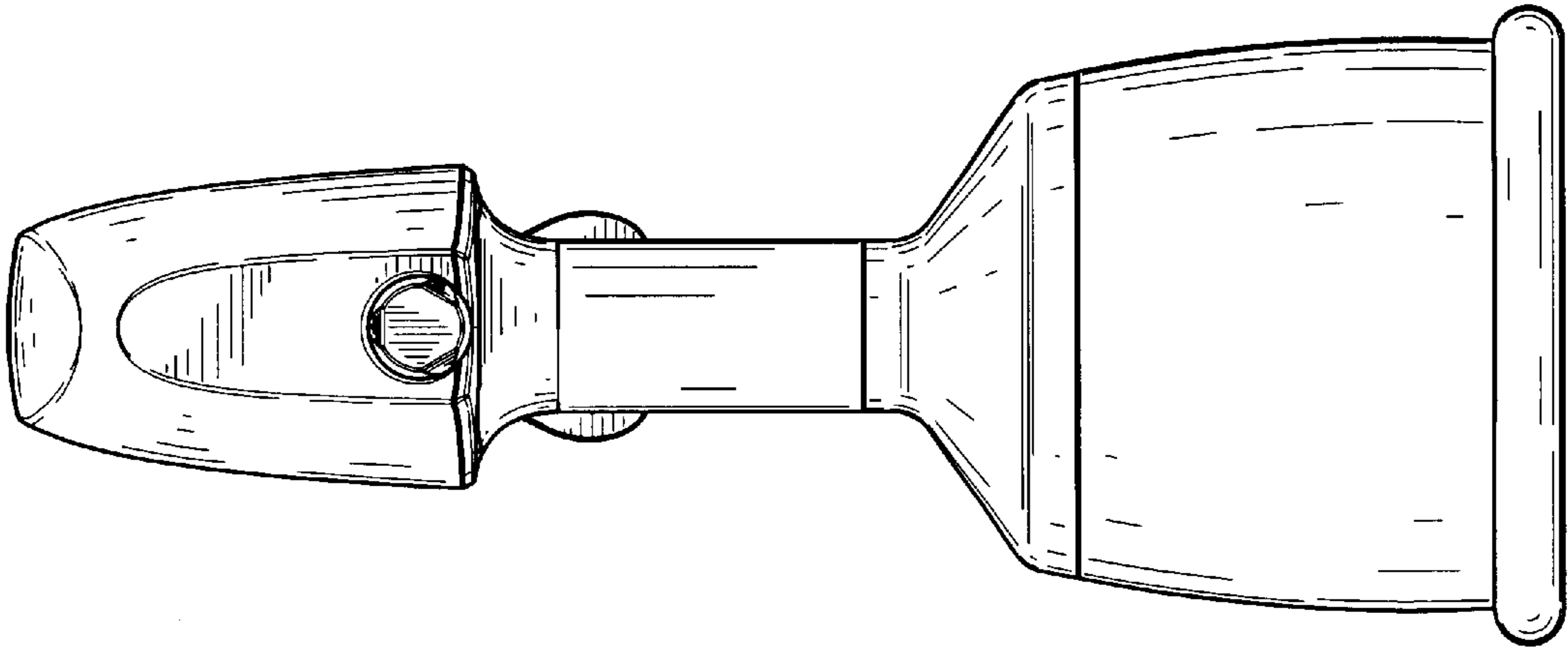


Fig.3

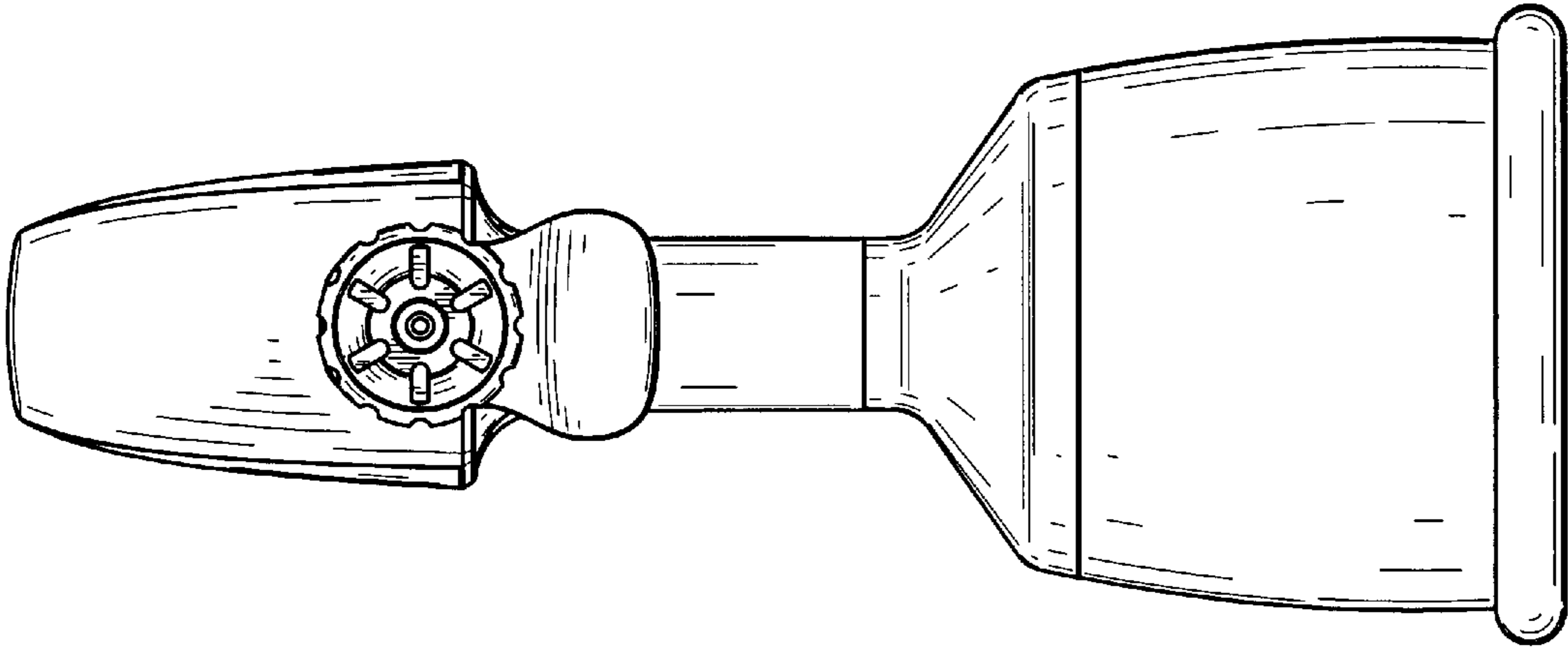


Fig.2

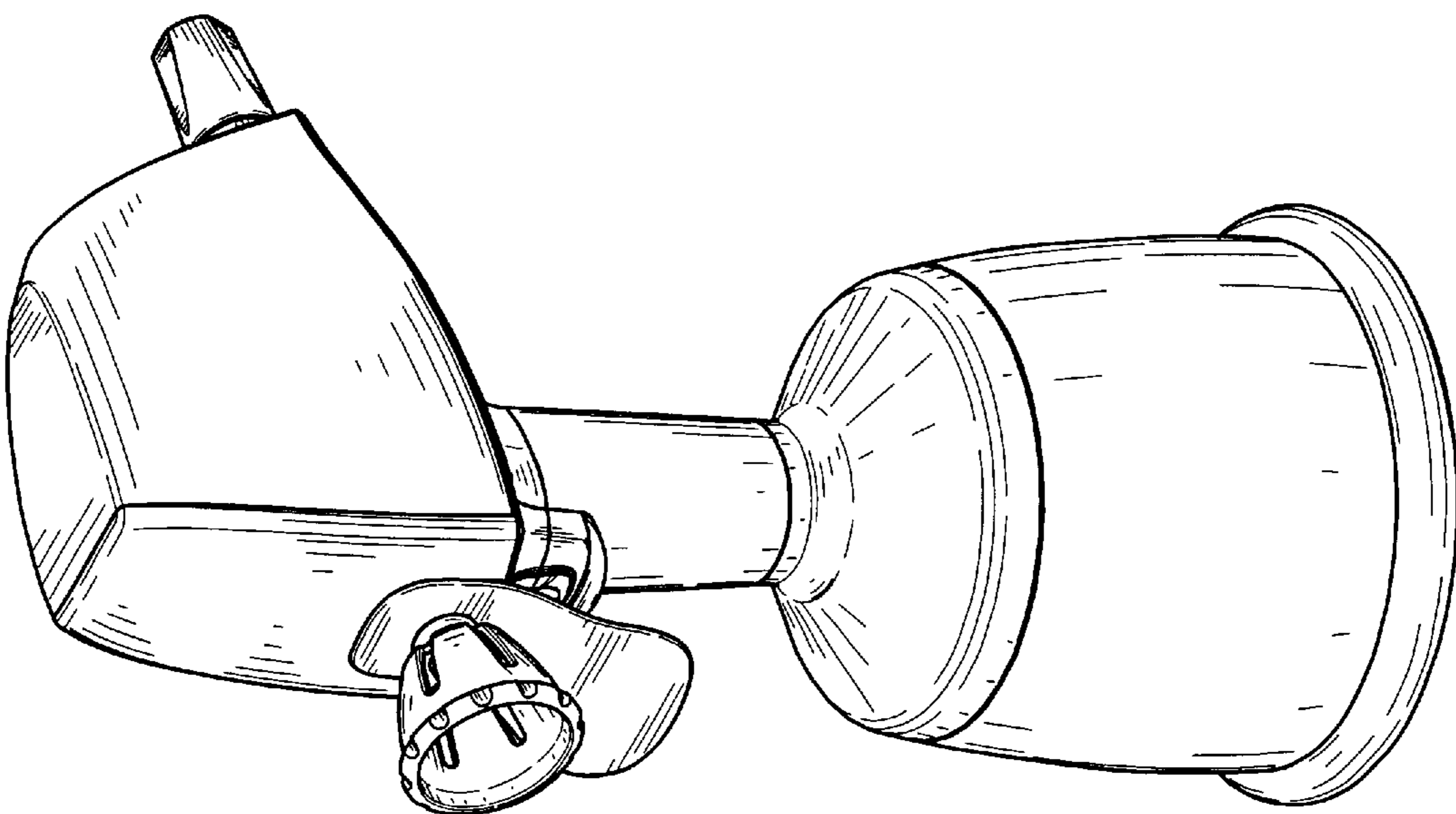


Fig.1

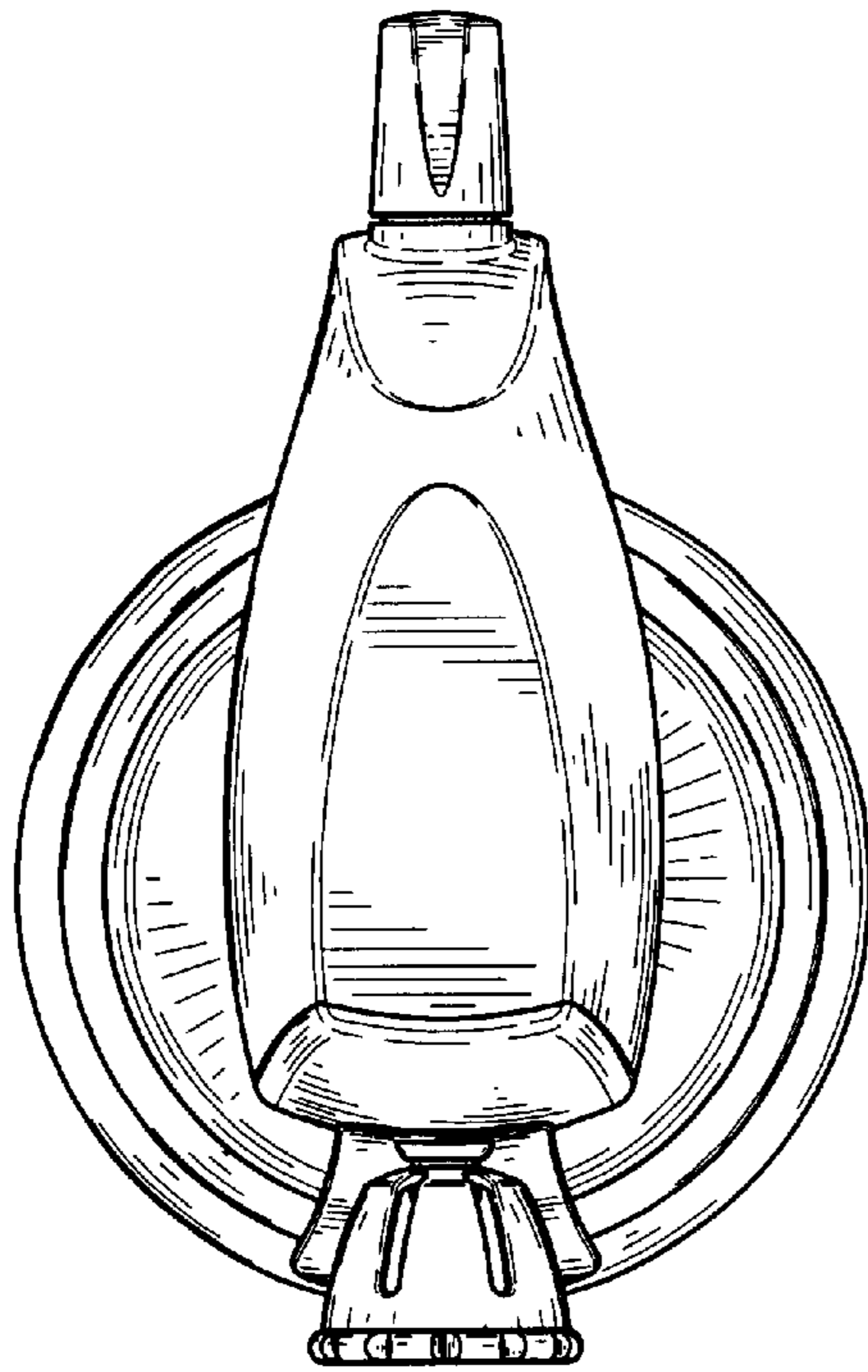


Fig.5

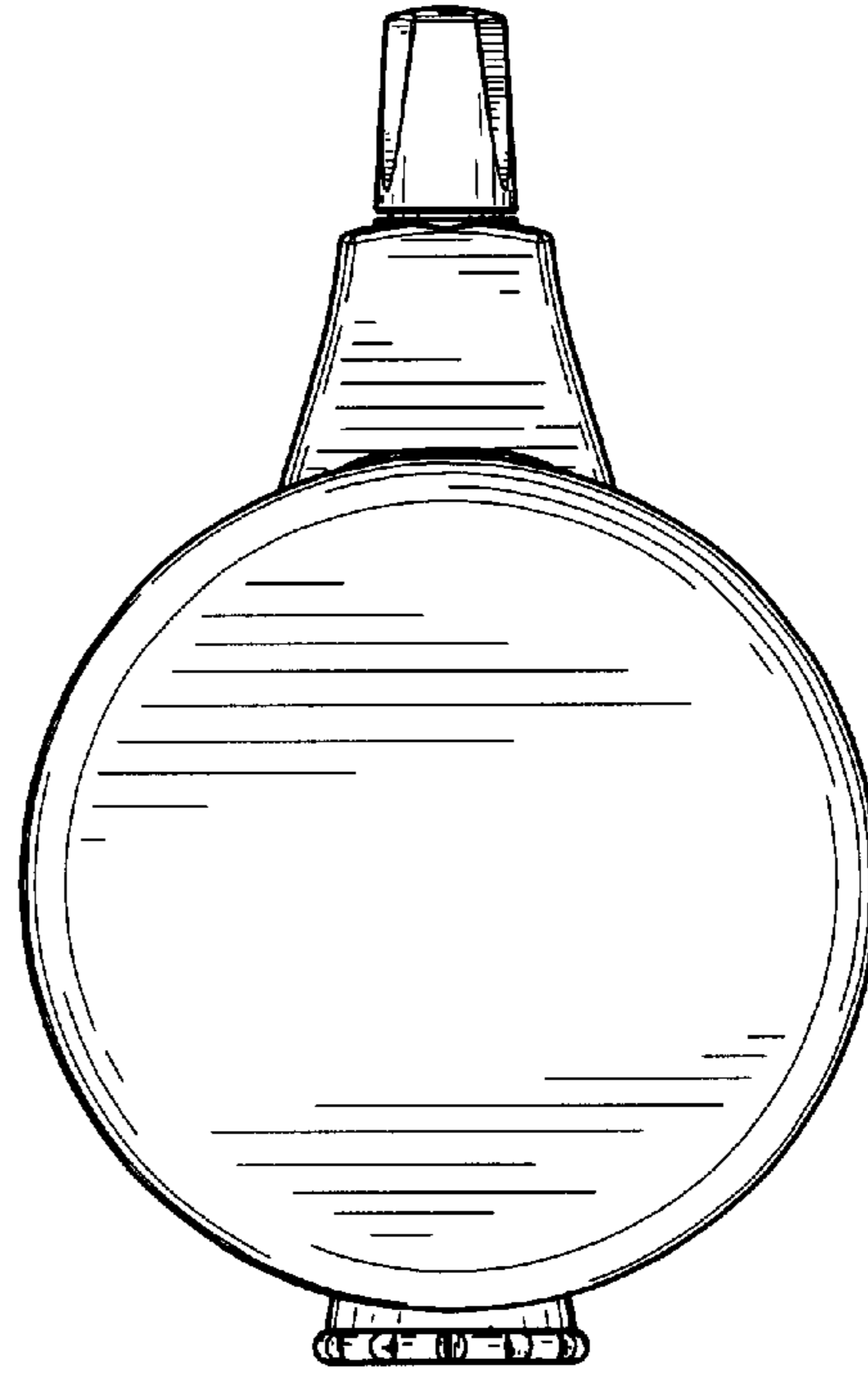


Fig.6

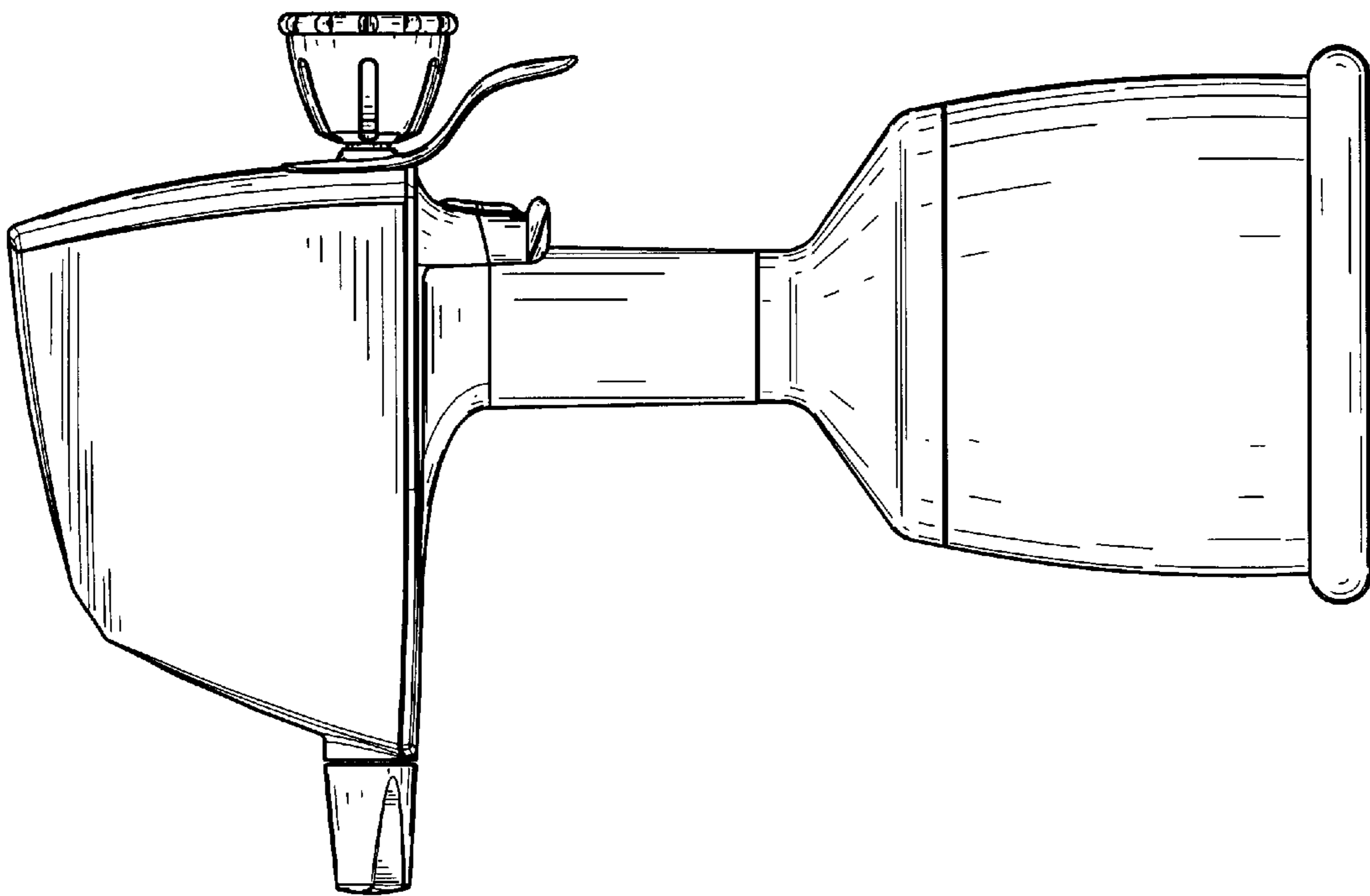


Fig.4