



US00D477383S

(12) **United States Design Patent**
Desjoyaux et al.

(10) **Patent No.:** **US D477,383 S**

(45) **Date of Patent:** **** Jul. 15, 2003**

(54) **COMPACT SWIMMING POOL FILTER UNIT**

(75) Inventors: **Jean-Louis Desjoyaux**, L'Etrat (FR);
Pierre-Louis Desjoyaux, La
Bertrandiere (FR); **Catherine Jandros**,
L'Etrat (FR)

(73) Assignee: **Piscines Desjoyaux S.A. (Societe Anonyme)**, La Fouillouse (FR)

(**) Term: **14 Years**

(21) Appl. No.: **29/169,536**

(22) Filed: **Oct. 22, 2002**

(30) **Foreign Application Priority Data**

Apr. 22, 2002 (FR) 02 2610

(51) **LOC (7) Cl.** **23-01**

(52) **U.S. Cl.** **D23/209; D23/210**

(58) **Field of Search** D23/207, 209,
D23/210; 210/169, 416.2

(56) **References Cited**

U.S. PATENT DOCUMENTS

4,801,378 A * 1/1989 Desjoyaux et al. 210/169

D337,149 S 7/1993 Desjoyaux et al. D23/209
5,474,674 A * 12/1995 Bresolin et al. 210/169
D428,109 S * 7/2000 Mayer D23/210
D428,469 S * 7/2000 Roig D23/209
6,187,179 B1 * 2/2001 Mayer et al. 210/416.2

* cited by examiner

Primary Examiner—Robin V. Taylor

(74) *Attorney, Agent, or Firm*—Heslin Rothenberg Farley & Mesiti P.C.

(57) **CLAIM**

The ornamental design for the compact swimming pool filter unit, as shown and described.

DESCRIPTION

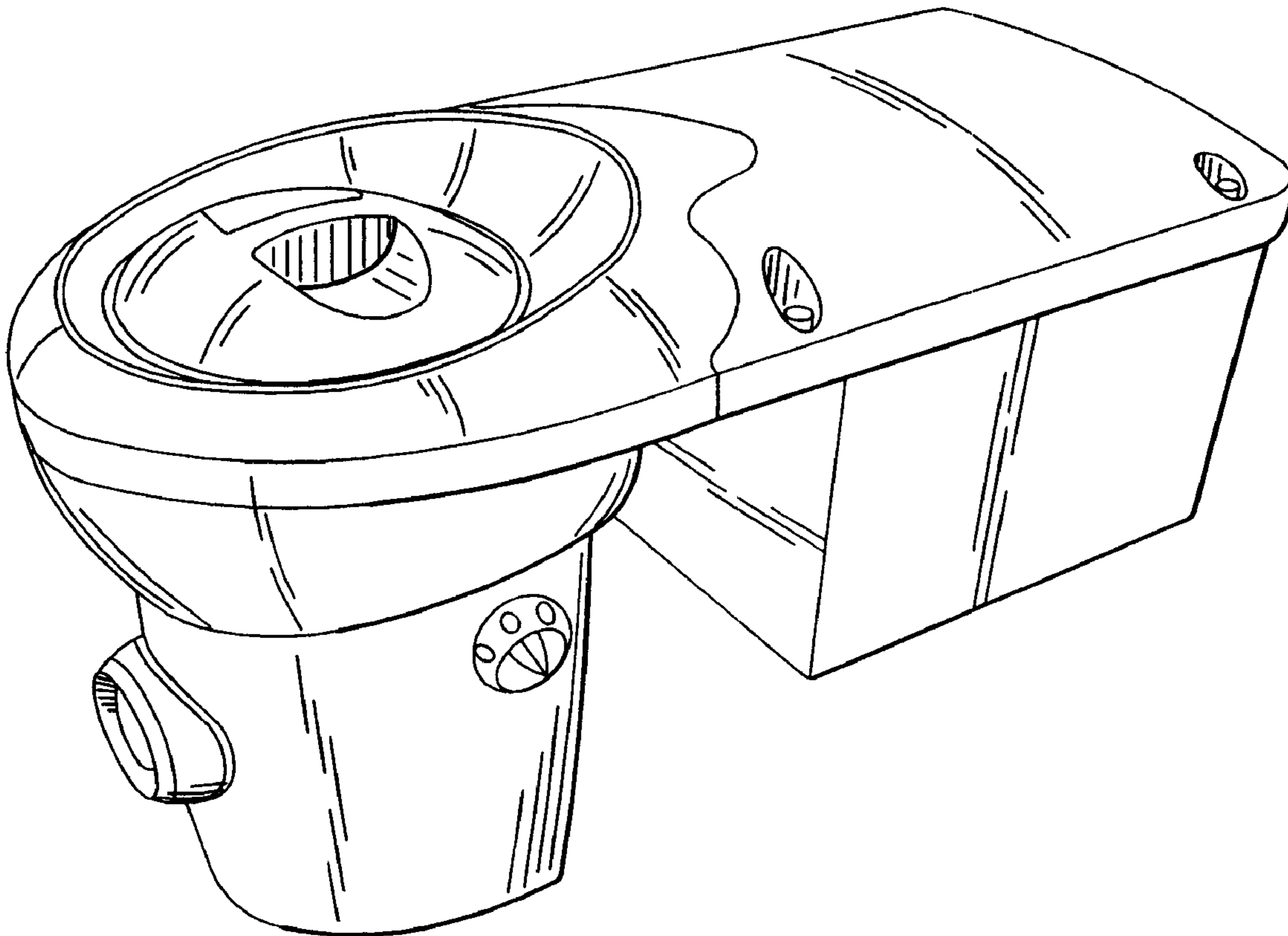
FIG. 1 is a perspective view of a compact swimming pool filter unit comprising the new design;

FIG. 2 is another perspective view thereof.

FIG. 3 is another perspective view thereof; and,

FIG. 4 is another perspective view thereof.

1 Claim, 4 Drawing Sheets



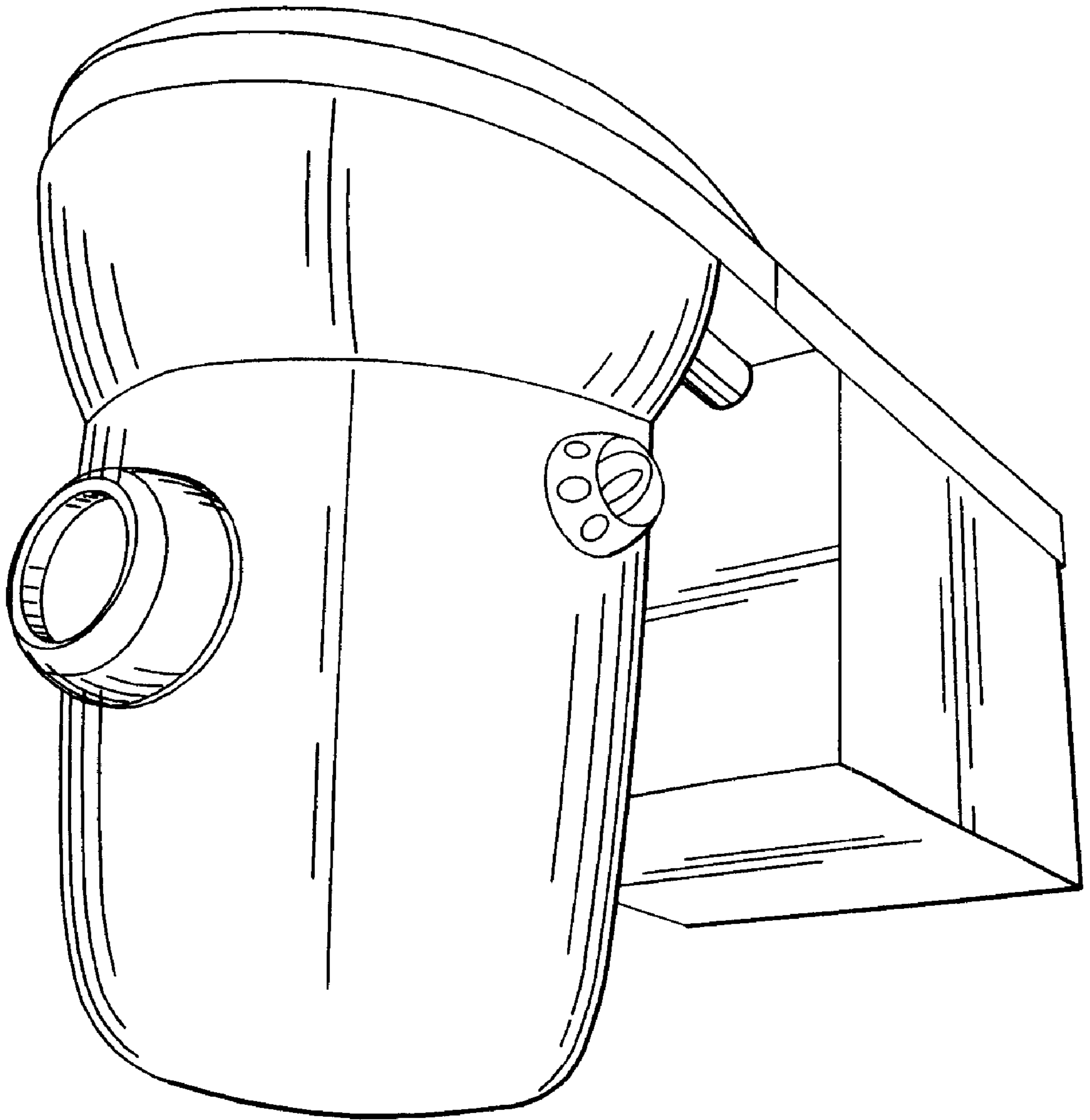


Fig. 1

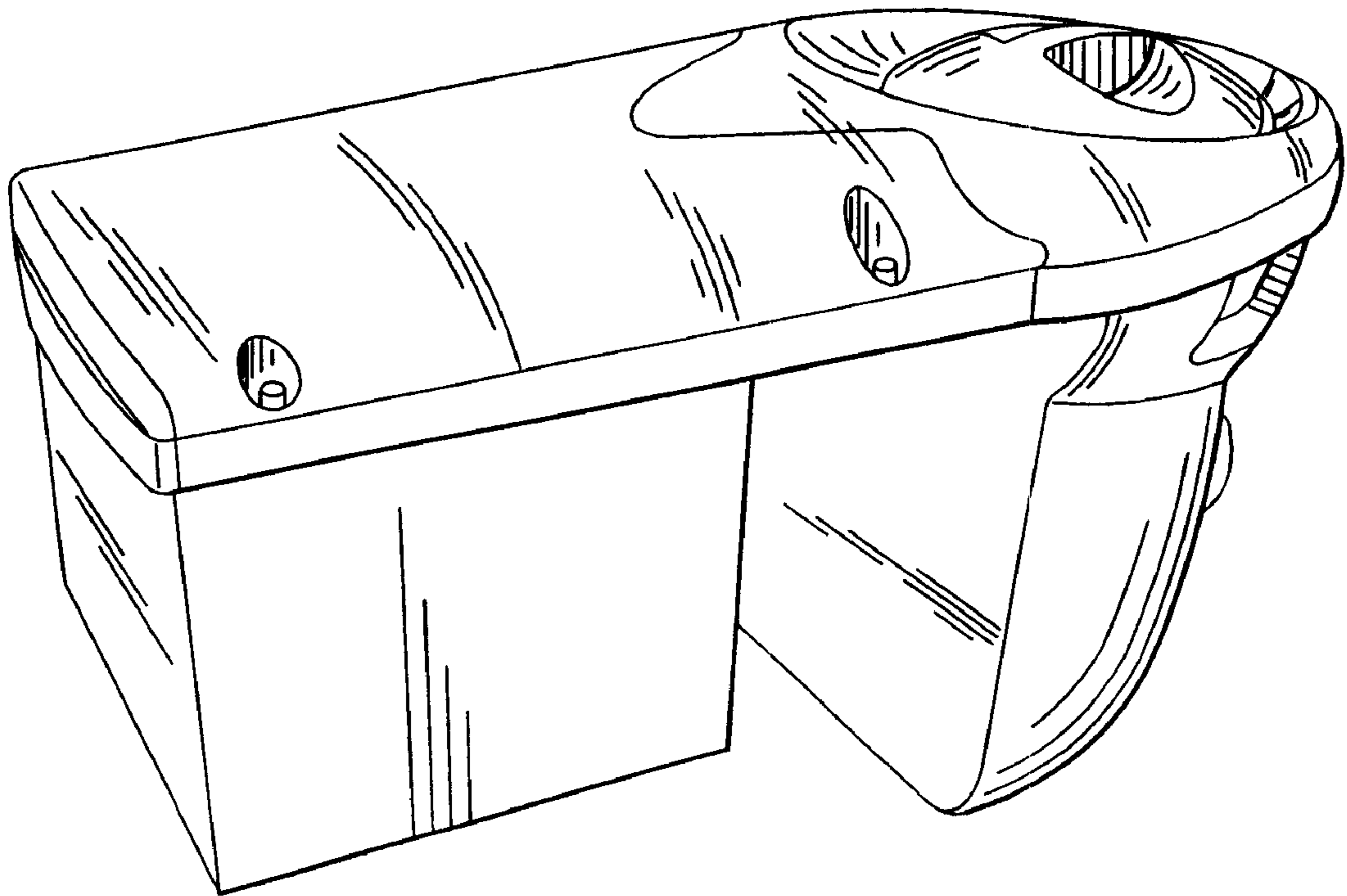


Fig. 2

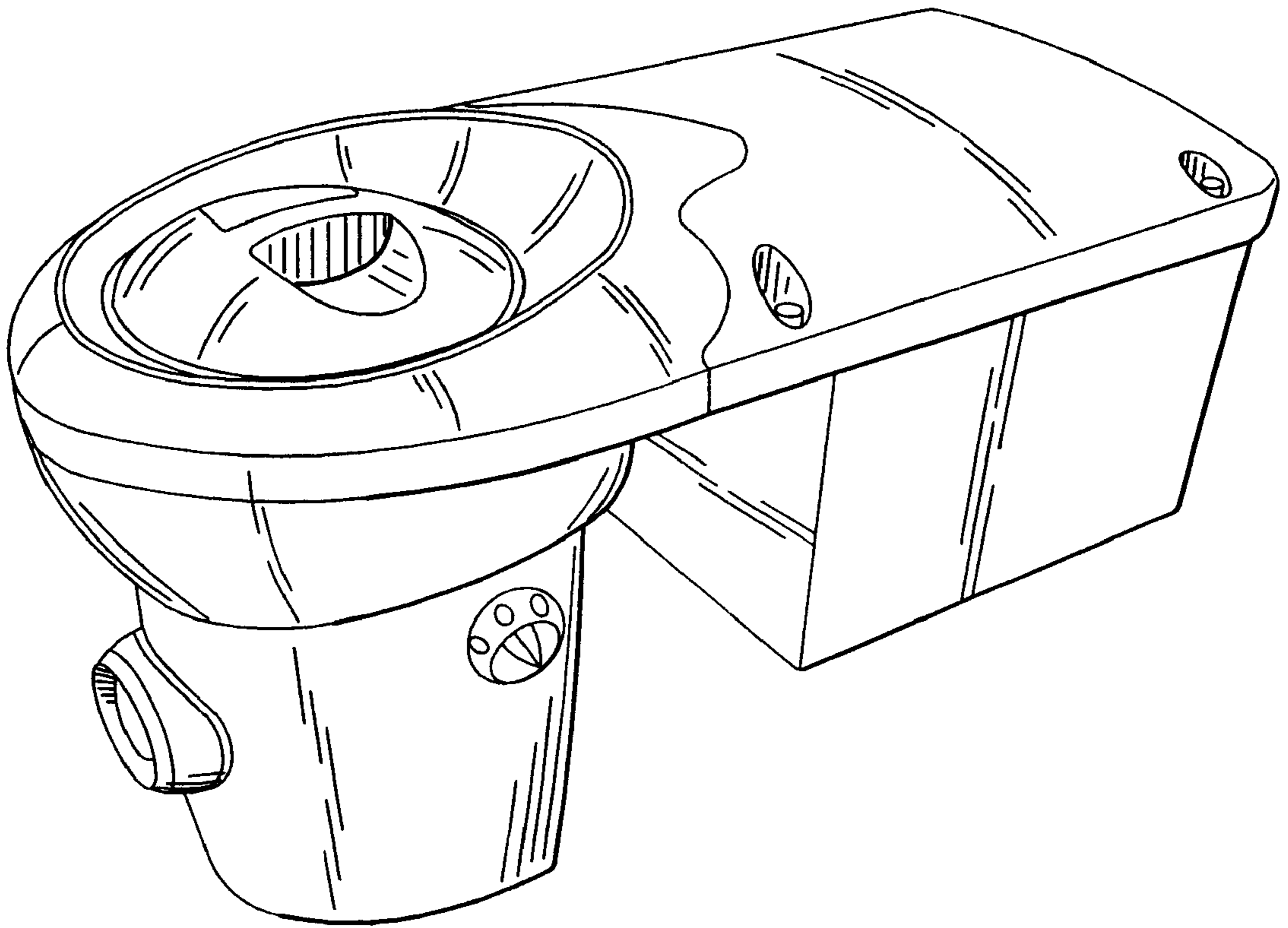


Fig. 3

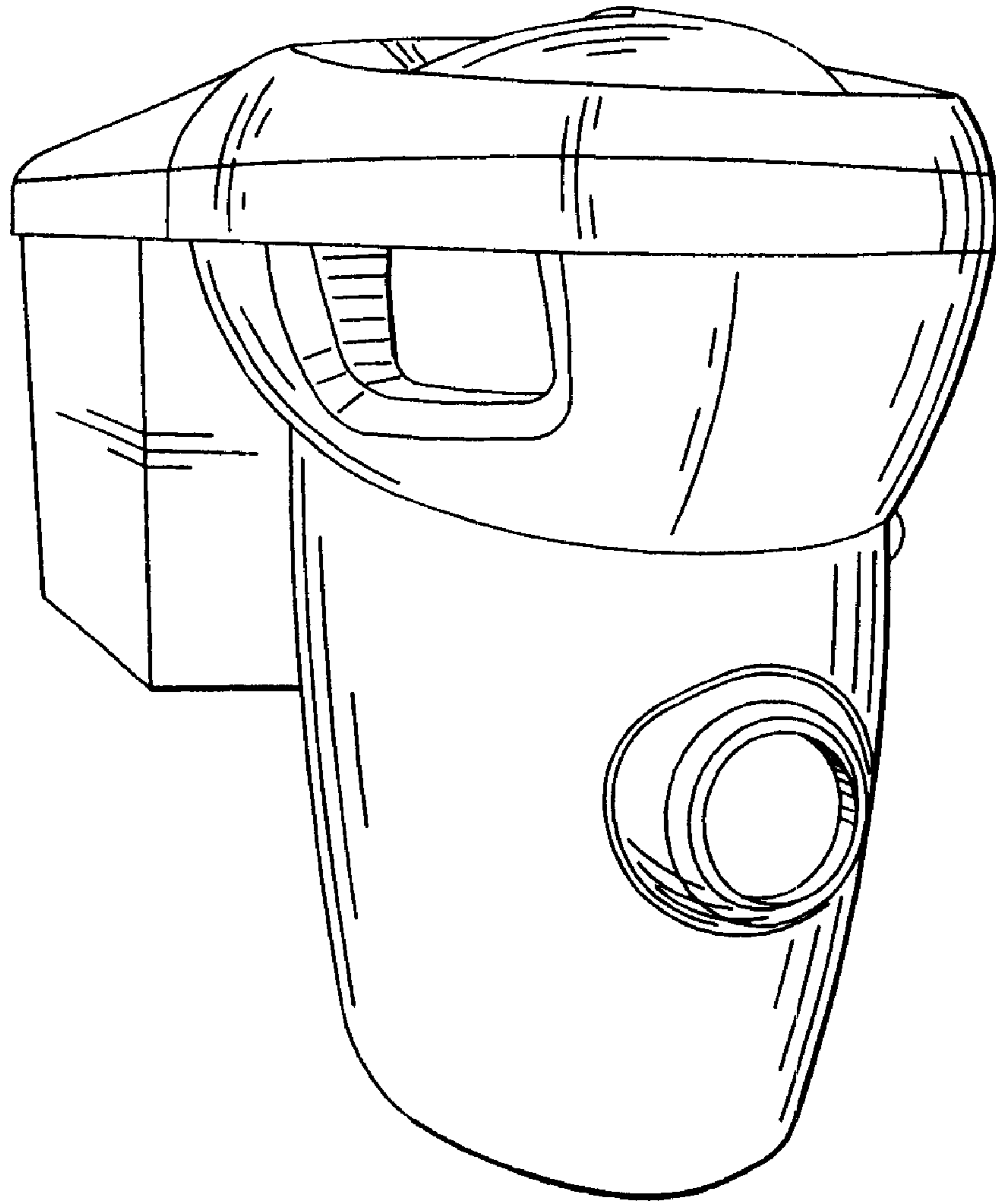


Fig. 4