



US00D477378S

(12) **United States Design Patent**
Blackwood

(10) **Patent No.:** **US D477,378 S**

(45) **Date of Patent:** **** Jul. 15, 2003**

(54) **SKY BRIDGE PLAY FEATURE**

(75) Inventor: **Kim Blackwood**, Blountsville, AL (US)

(73) Assignee: **Playcore, Inc.**, Janesville, WI (US)

(**) Term: **14 Years**

(21) Appl. No.: **29/164,402**

(22) Filed: **Jul. 24, 2002**

(51) **LOC (7) Cl.** **21-03**

(52) **U.S. Cl.** **D21/814**

(58) **Field of Search** D21/818-827,
D21/811, 814; 482/35, 36

(56) **References Cited**

U.S. PATENT DOCUMENTS

D197,522 S	*	2/1964	Wesley	D21/818
D252,166 S	*	6/1979	Dieter et al.	D21/826
D423,625 S	*	4/2000	Sutton et al.	D21/826
D455,470 S	*	4/2002	Blackwood	D21/826

* cited by examiner

Primary Examiner—Mitchell Siegel
(74) *Attorney, Agent, or Firm*—Welsh & Katz, Ltd.

(57) **CLAIM**

The ornamental design for a sky bridge play feature, as shown and described.

DESCRIPTION

FIG. 1 is a perspective view of the sky bridge play feature design;

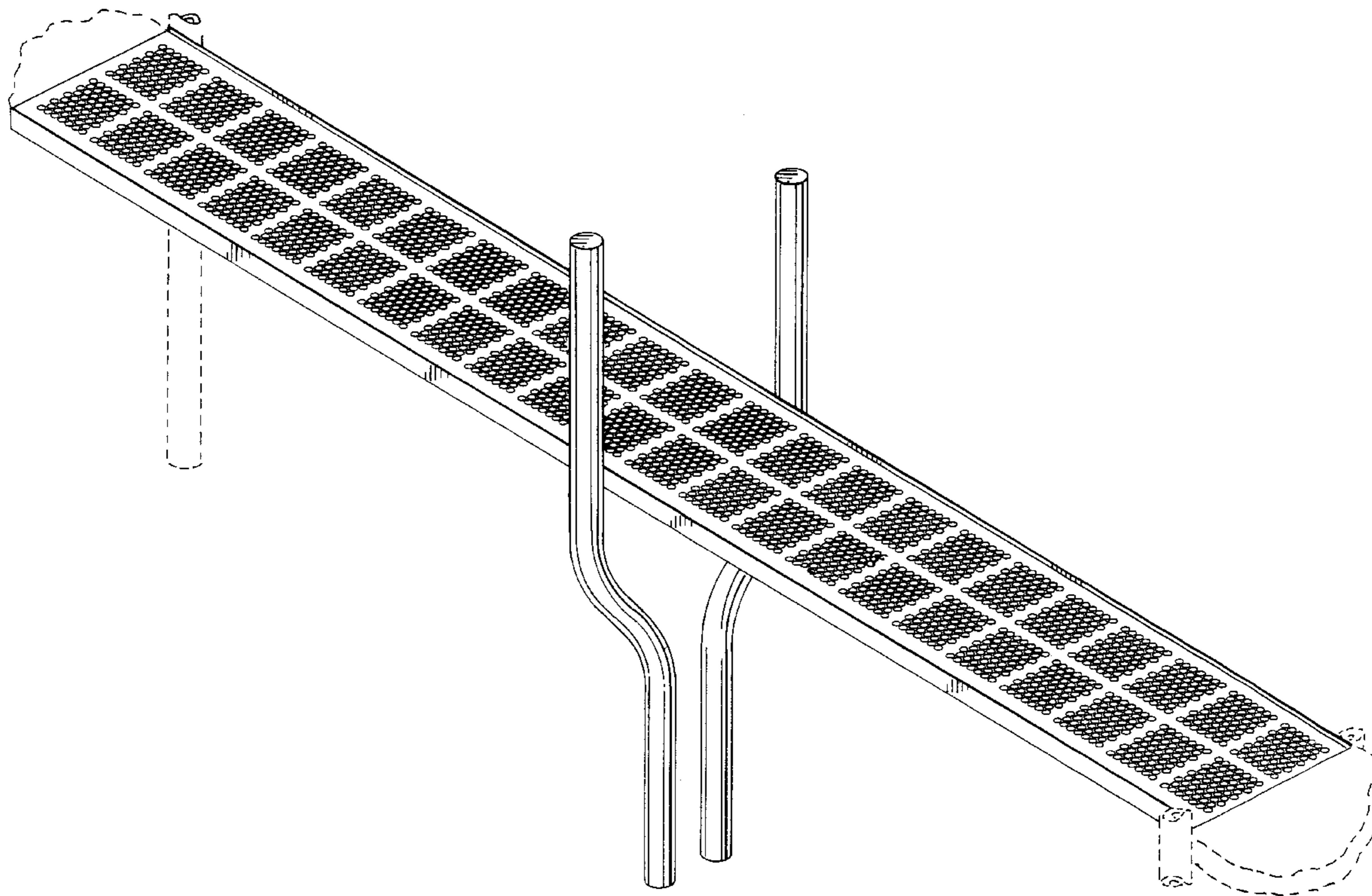
FIG. 2 is a front elevational view thereof, the rear view being a mirror image;

FIG. 3 is a top plan view thereof, the bottom being substantially a mirror image; and,

FIG. 4 is a left side elevational view thereof, the right side view being a mirror image.

The broken line showing is for illustrative purposes only and forms no part of the claimed design.

1 Claim, 2 Drawing Sheets



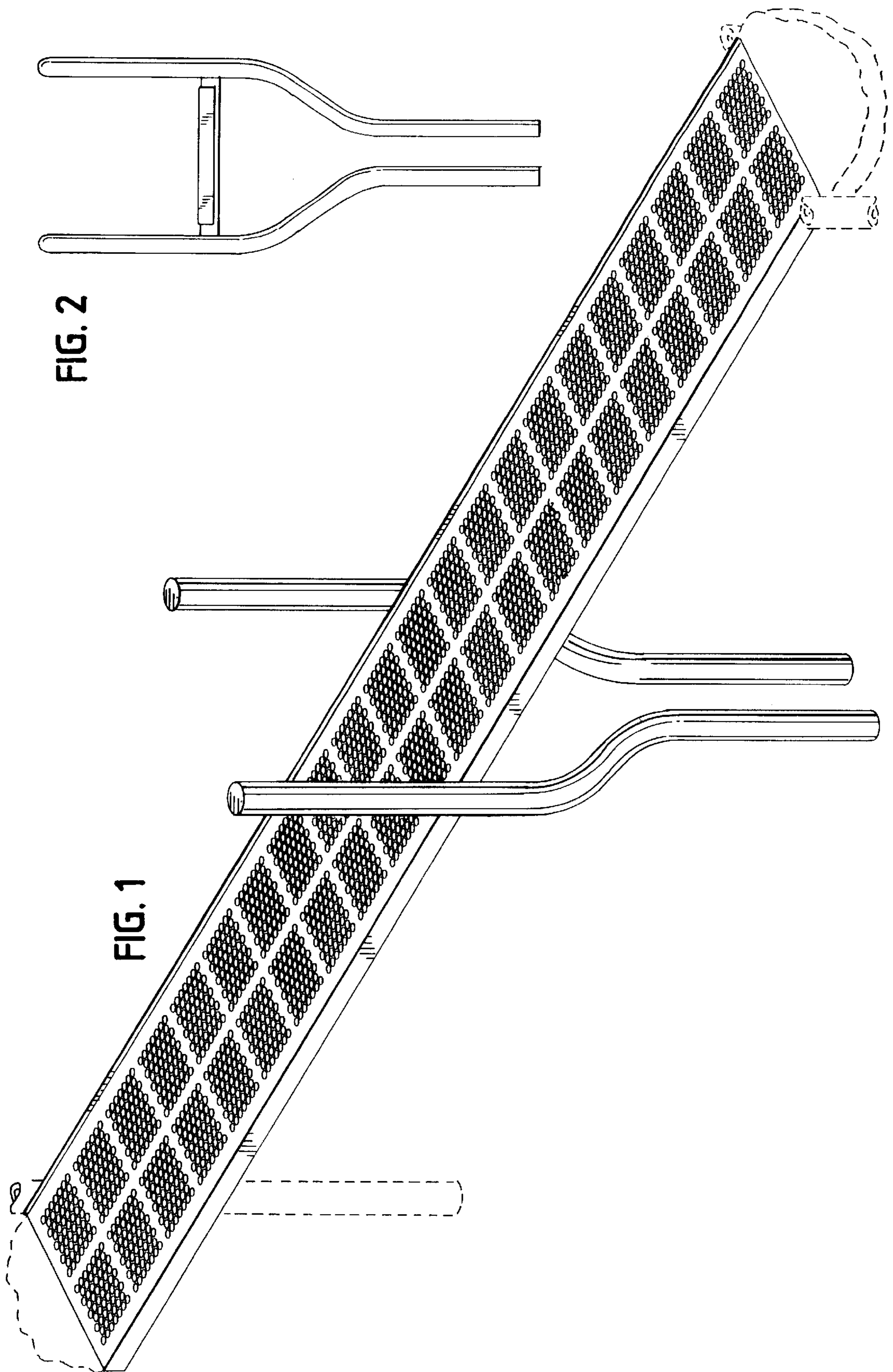


FIG. 2

FIG. 1

FIG. 3

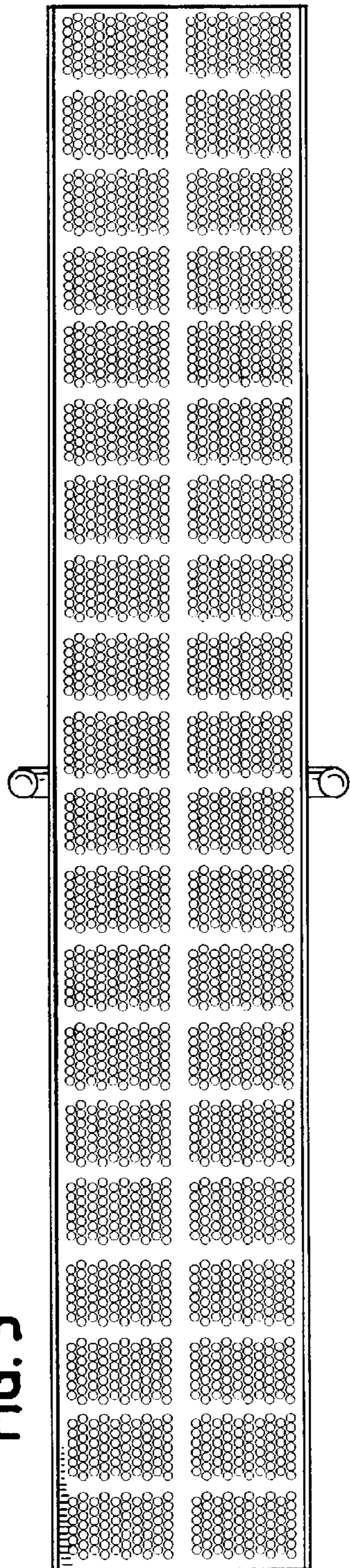


FIG. 4

