



US00D477372S

(12) **United States Design Patent**
Garner

(10) **Patent No.:** **US D477,372 S**

(45) **Date of Patent:** **** Jul. 15, 2003**

(54) **ABDOMINAL BENCH INCLINE EXERCISER**

(76) **Inventor:** **Patrick Lee Garner**, 7000 Westview, #
228, Houston, TX (US) 77055

(**) **Term:** **14 Years**

(21) **Appl. No.:** **29/159,169**

(22) **Filed:** **Apr. 15, 2002**

(51) **LOC (7) Cl.** **21-02**

(52) **U.S. Cl.** **D21/690**

(58) **Field of Search** D21/662, 686,
D21/690; 482/52, 137, 142, 144, 145, 140

(56) **References Cited**

U.S. PATENT DOCUMENTS

D262,810	S	*	1/1982	Lynn	D21/676
5,125,884	A	*	6/1992	Weber et al.	482/142
5,176,603	A	*	1/1993	Hundley et al.	482/140
5,190,513	A	*	3/1993	Habing et al.	482/140
D339,617	S	*	9/1993	Harashima	D21/690
D357,954	S	*	5/1995	Lee	D21/690
D370,506	S	*	6/1996	Clem	D21/687
D406,290	S	*	3/1999	McBride	D21/676

* cited by examiner

Primary Examiner—Philip S. Hyder

(74) *Attorney, Agent, or Firm*—The Matthews Firm

(57) **CLAIM**

The ornamental design for an abdominal bench incline exerciser, as shown and described.

DESCRIPTION

FIG. 1 is a perspective view of an abdominal bench incline exerciser, showing my new design;

FIG. 2 is a side view of the embodiment shown in FIG. 1;

FIG. 3 is a front view of the embodiment shown in FIG. 1;

FIG. 4 is a top plan view of the embodiment shown in FIG. 1;

FIG. 5 is a front perspective view of a second embodiment of an abdominal bench incline exerciser with an addition of side handles on the first padded platform and the addition of a front knee pad between the T-shaped handle and the padded ankle brace of my new design;

FIG. 6 is a side view of the second embodiment shown in FIG. 5;

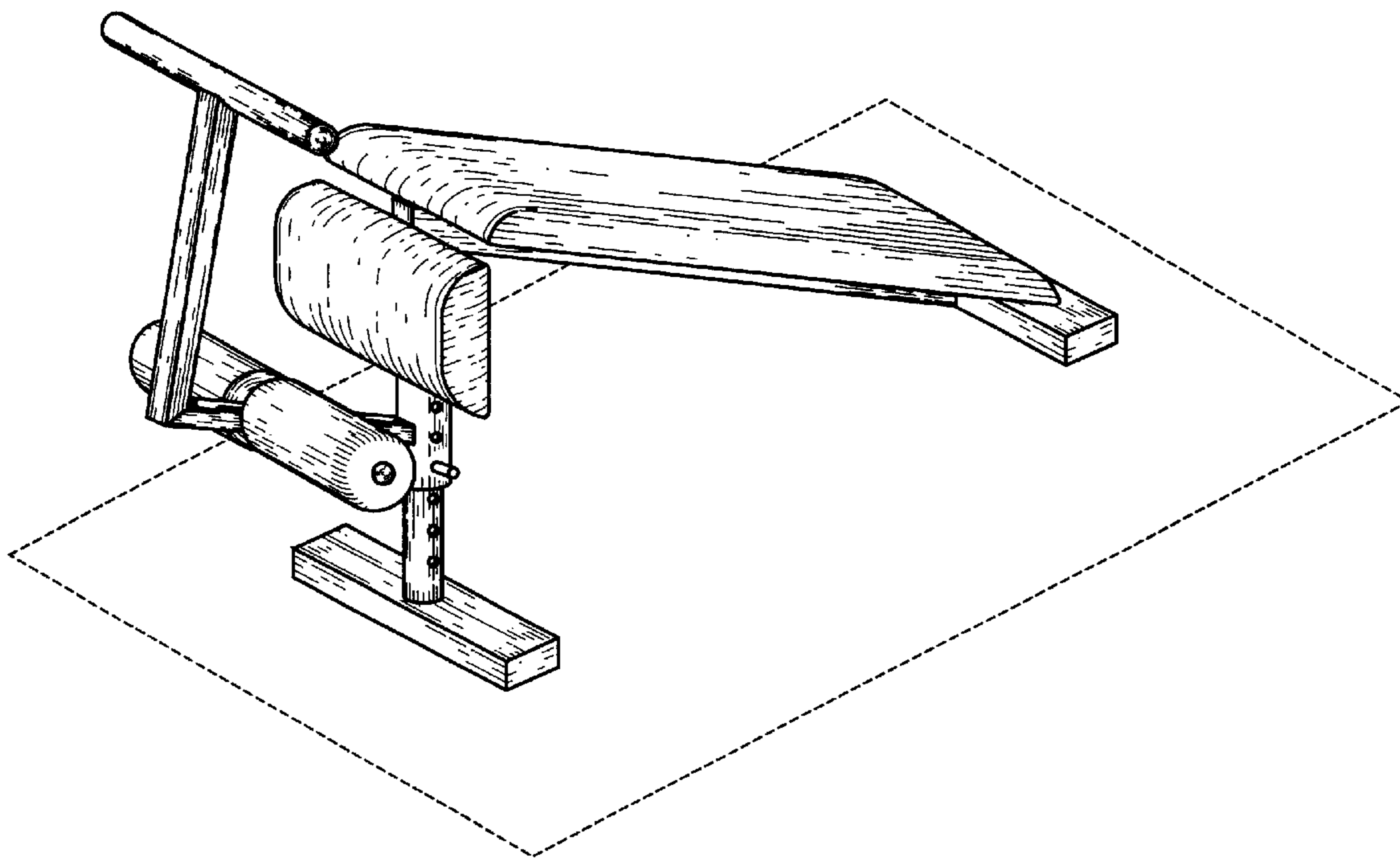
FIG. 7 is a front view of the second embodiment shown in FIG. 5; and,

FIG. 8 is a top view of the second embodiment shown in FIG. 5.

The surface(s) or portion(s) of the article not shown in the drawings or described in the specification form(s) no part of the claimed design.

The broken line portions of the disclosure are for illustrative purposes only and form no part of the claimed design.

1 Claim, 4 Drawing Sheets



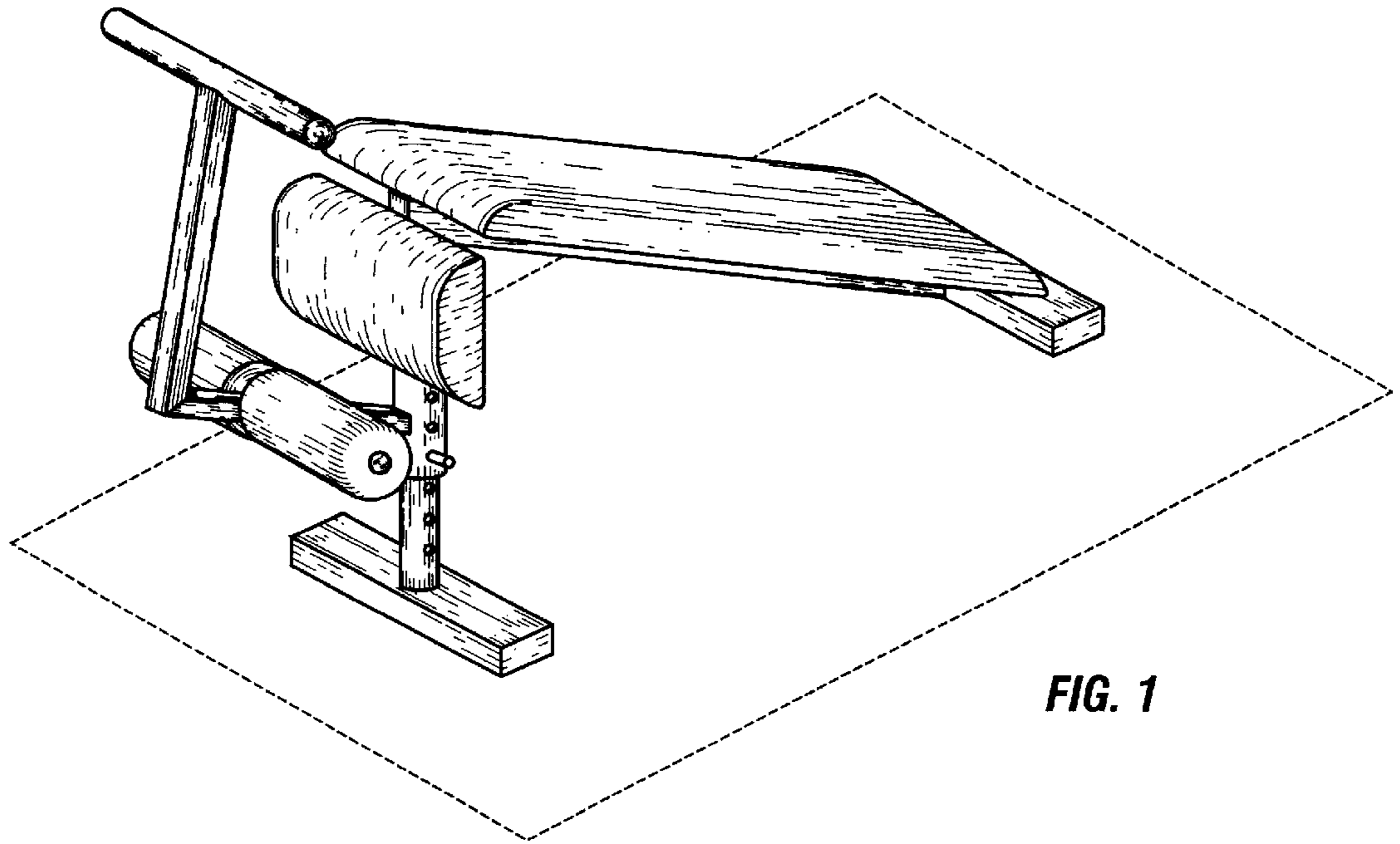


FIG. 1

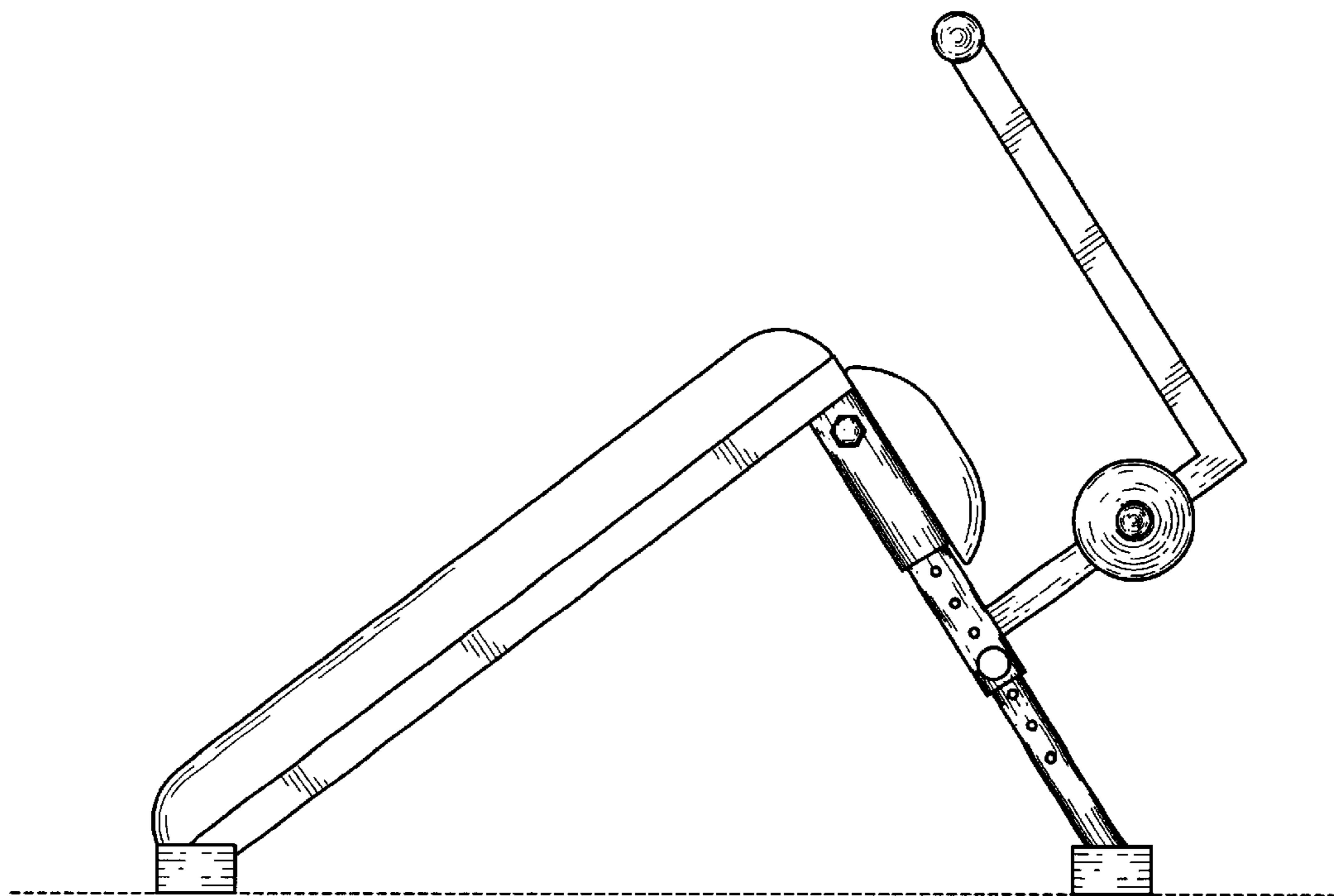


FIG. 2

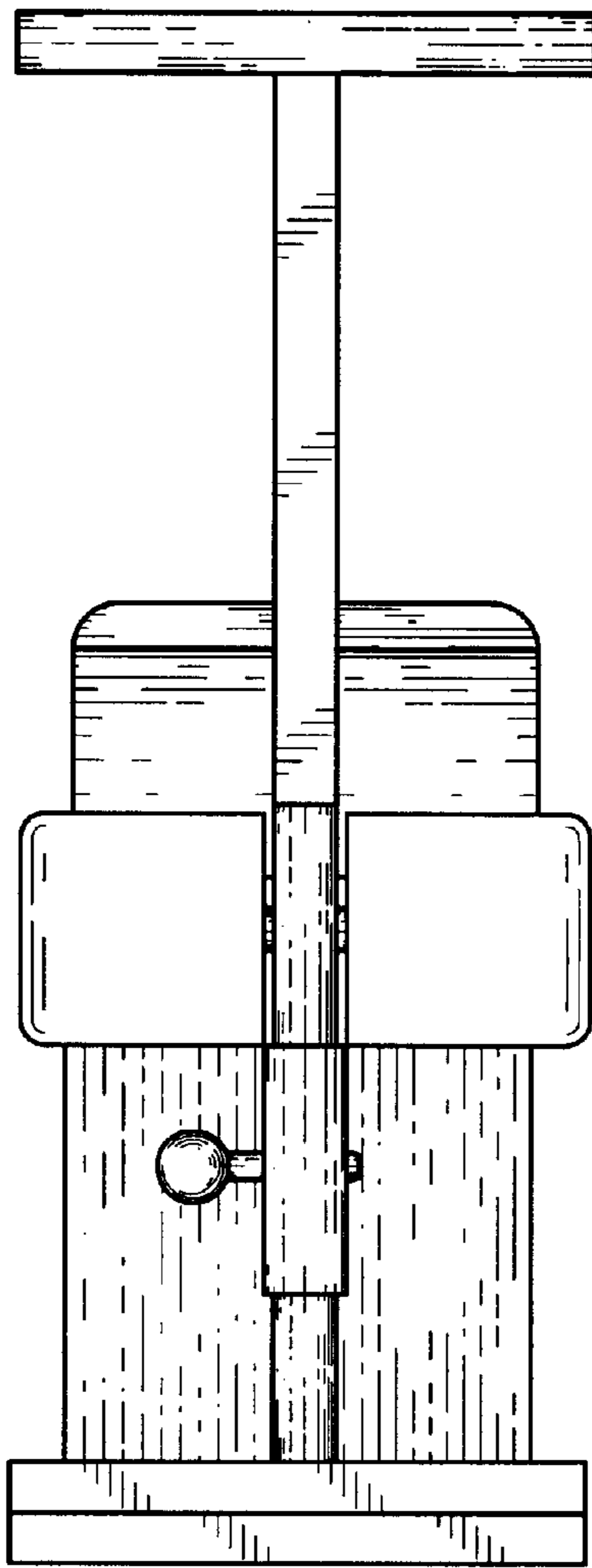


FIG. 3

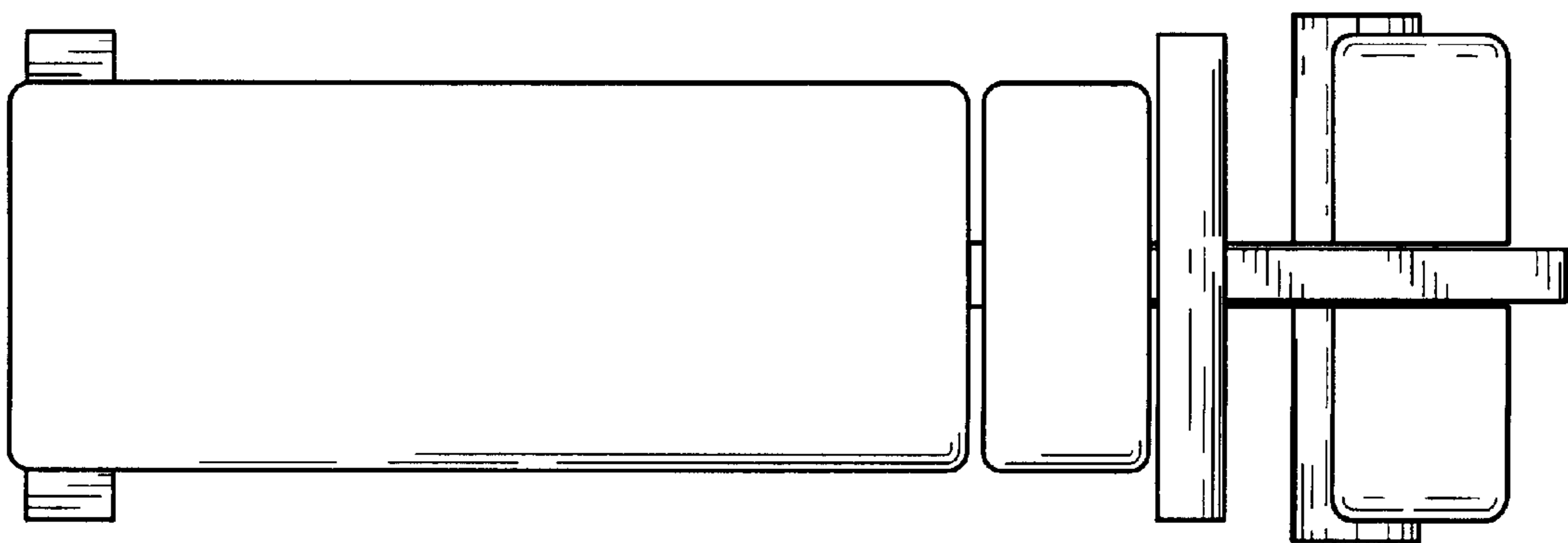


FIG. 4

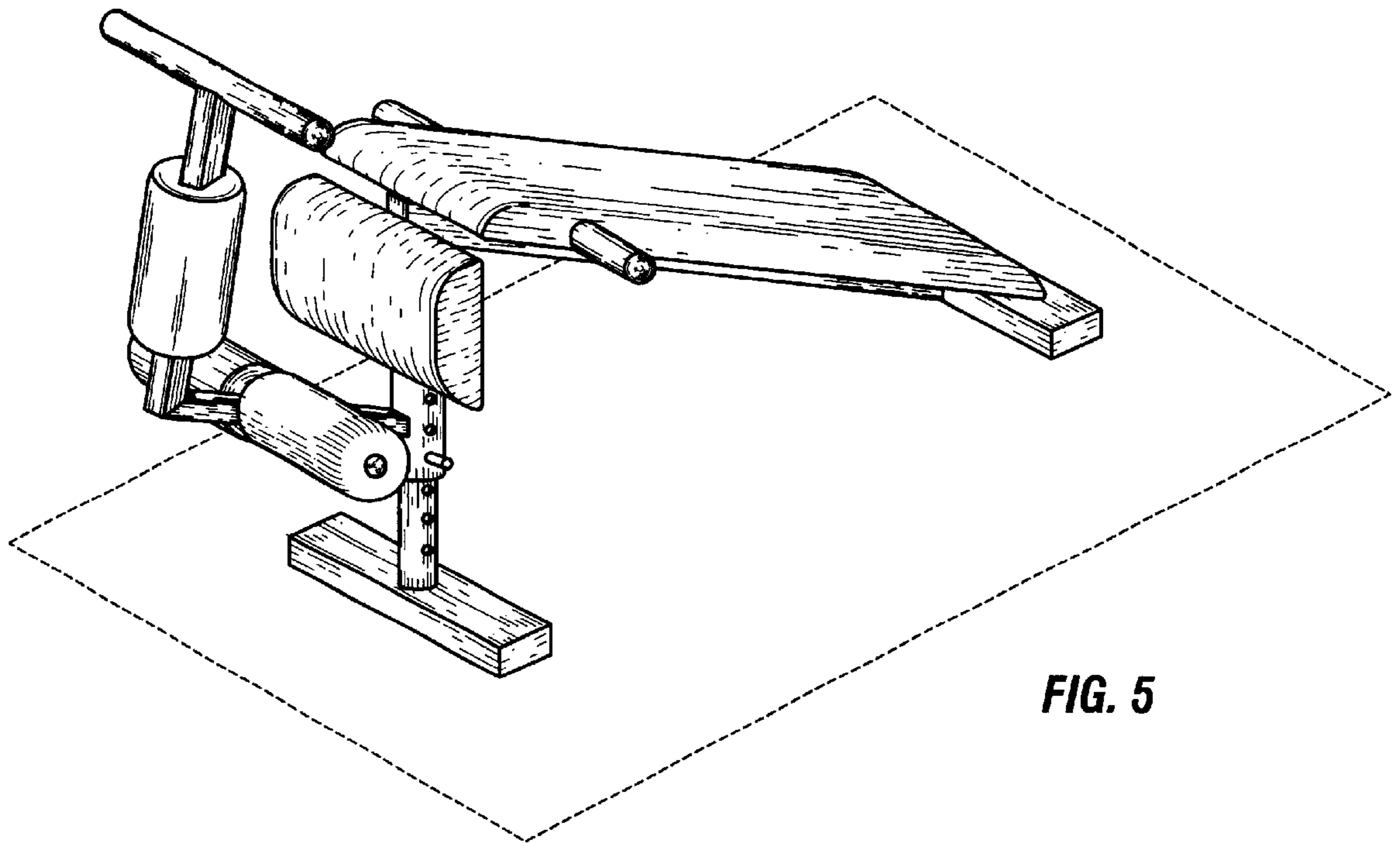


FIG. 5

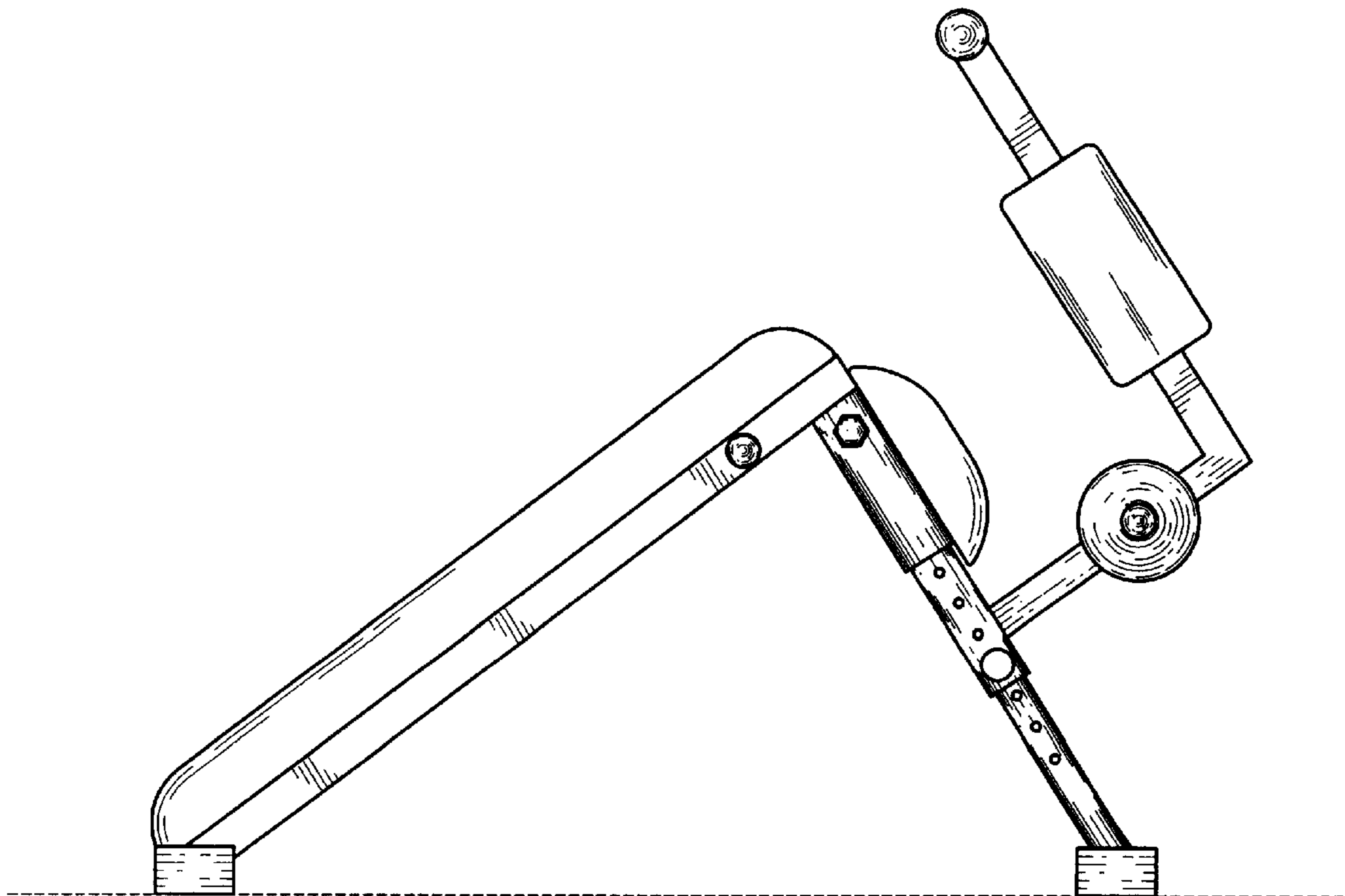


FIG. 6

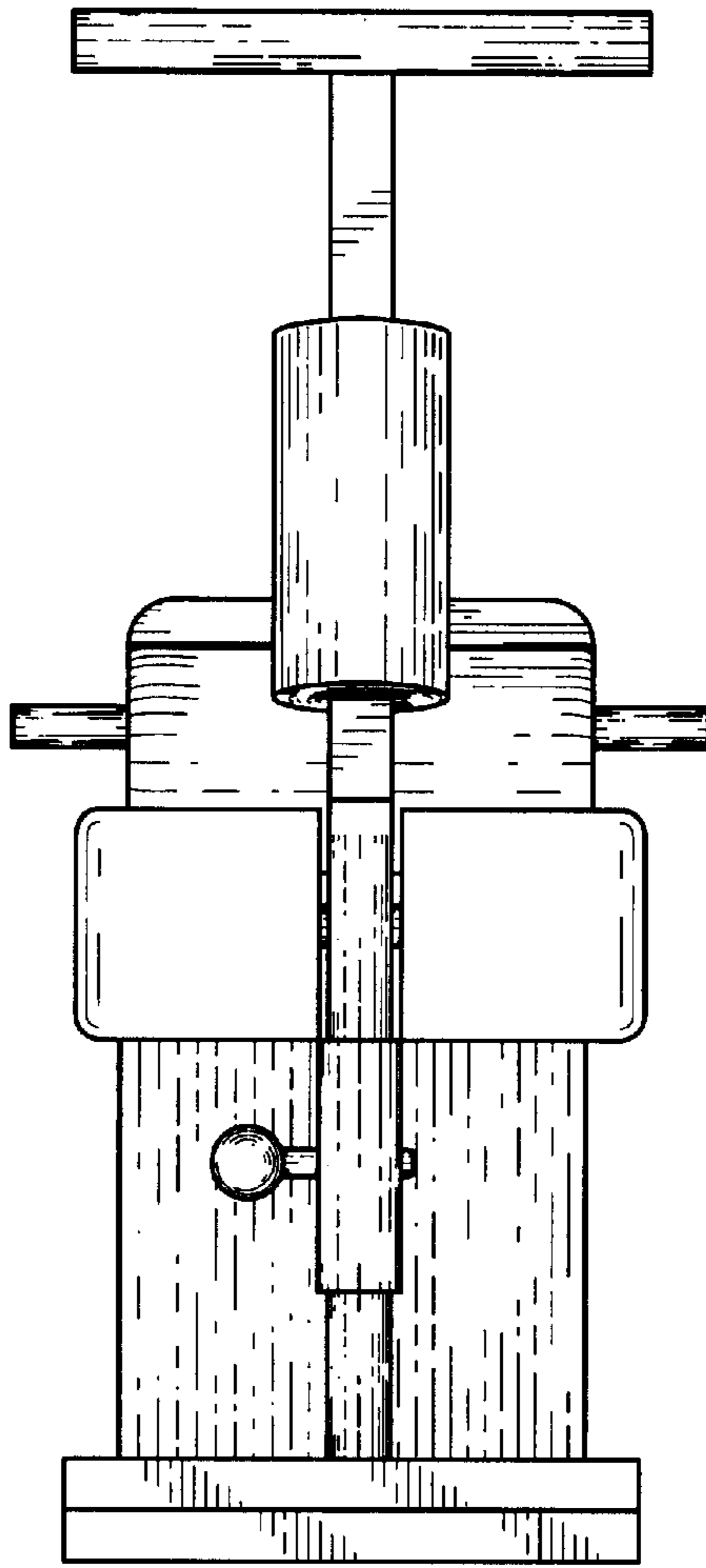


FIG. 7

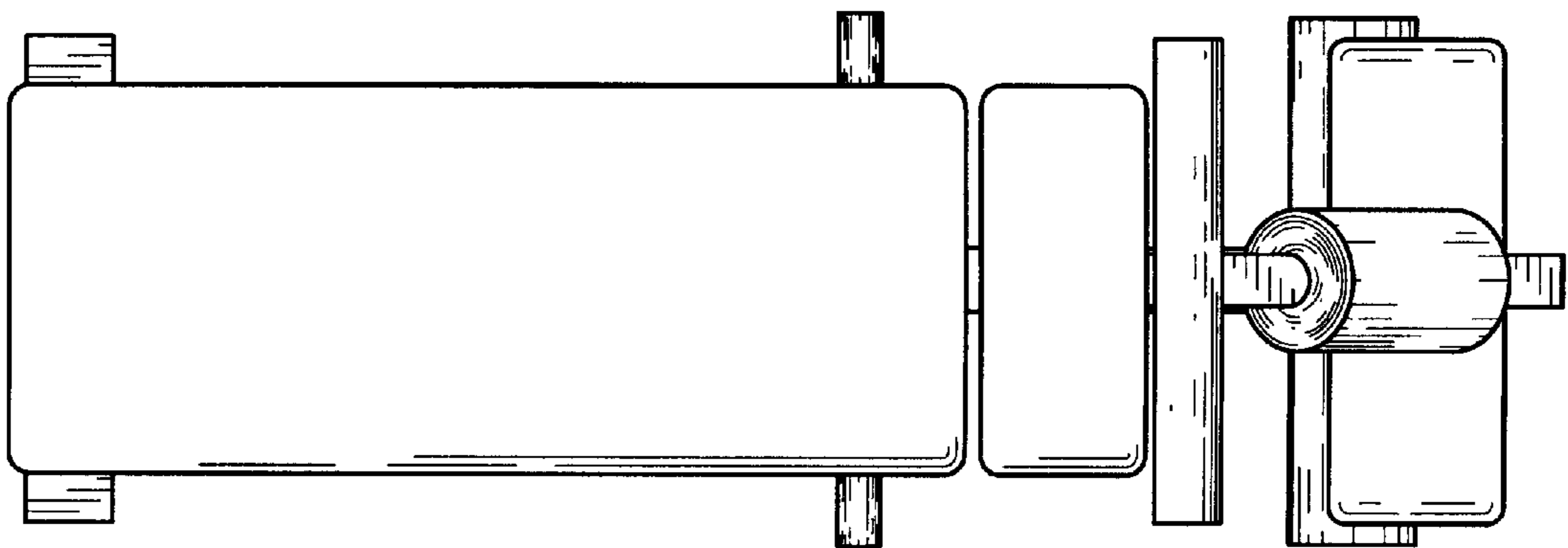


FIG. 8