



US00D477370S

(12) **United States Design Patent**
Badertscher

(10) **Patent No.:** **US D477,370 S**

(45) **Date of Patent:** **** Jul. 15, 2003**

(54) **BOARD FOR DISPLAYING COOKIE CUTTERS**

D452,713 S * 1/2002 Badertscher D20/42
D460,984 S * 7/2002 McGowan D20/42
D463,493 S * 9/2002 Beno D20/42

(76) **Inventor:** **Linda S. Badertscher**, P.O. Box 317,
Nashville, OH (US) 44661

* cited by examiner

(**) **Term:** **14 Years**

Primary Examiner—Marcus A. Jackson
(74) *Attorney, Agent, or Firm*—Sand & Sebolt

(21) **Appl. No.:** **29/149,163**

(57) **CLAIM**

(22) **Filed:** **Oct. 2, 2001**

The ornamental design for the board for displaying cookie cutters, as shown and described.

Related U.S. Application Data

DESCRIPTION

(63) Continuation-in-part of application No. 29/127,256, filed on Aug. 2, 2000, now Pat. No. Des. 452,713.

(51) **LOC (7) Cl.** **20-02**

(52) **U.S. Cl.** **D20/42**

(58) **Field of Search** D20/10, 40, 42,
D20/99; D19/32, 33; 40/107, 108, 158.1,
124.2, 124.4; 211/87.1, 40, 94

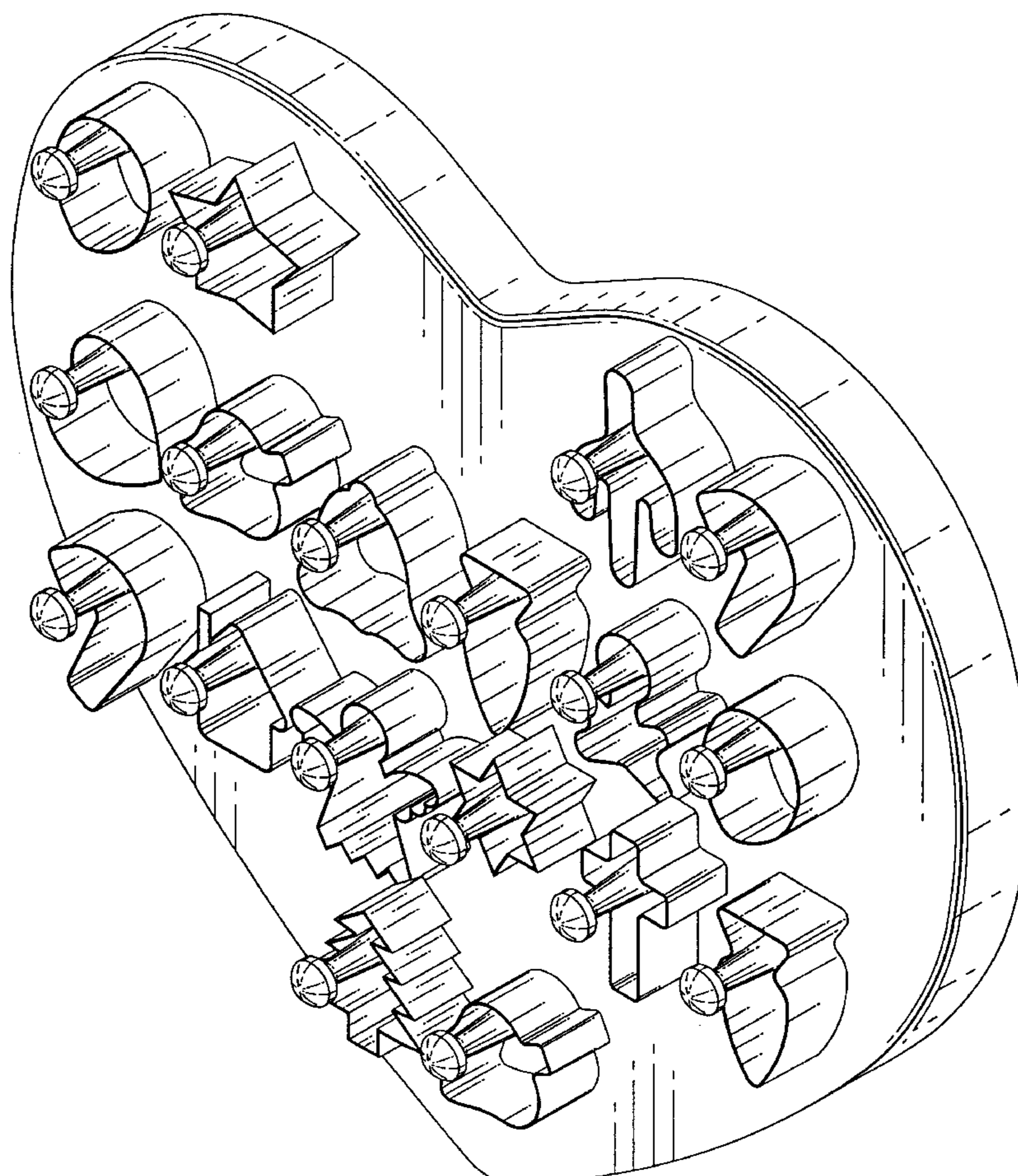
FIG. 1 is a perspective view of a board for displaying cookie cutters showing my new design;
FIG. 2 is a front elevational view of the board for displaying cookie cutters as shown in FIGS. 1;
FIG. 3 is a side view of FIG. 2;
FIG. 4 is a top view of FIG. 2;
FIG. 5 is a bottom view of FIG. 2; and,
FIG. 6 is a rear elevational view of FIG. 2.

(56) **References Cited**

U.S. PATENT DOCUMENTS

D393,562 S * 4/1998 Connly D20/42

1 Claim, 4 Drawing Sheets



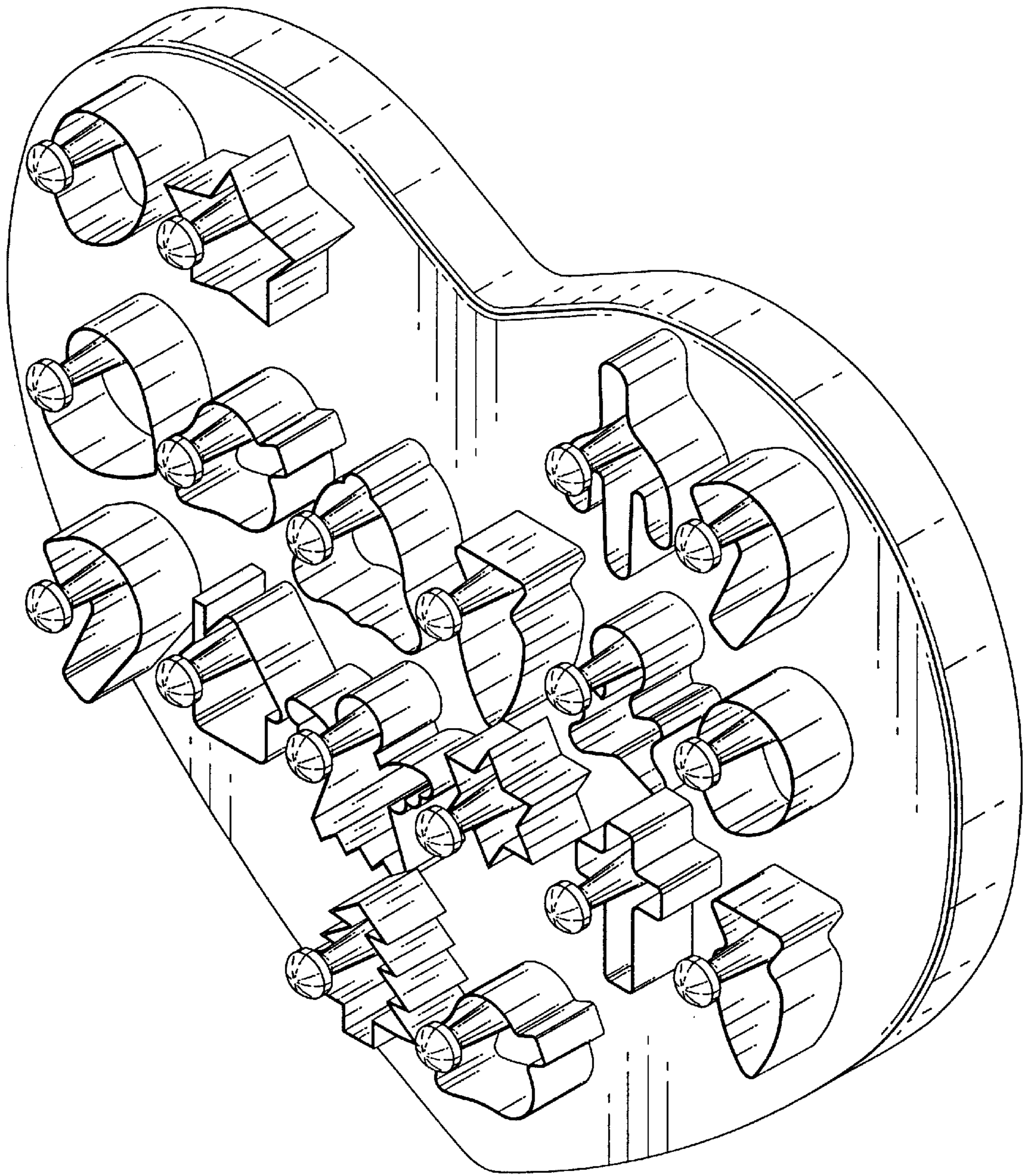


FIG. 1

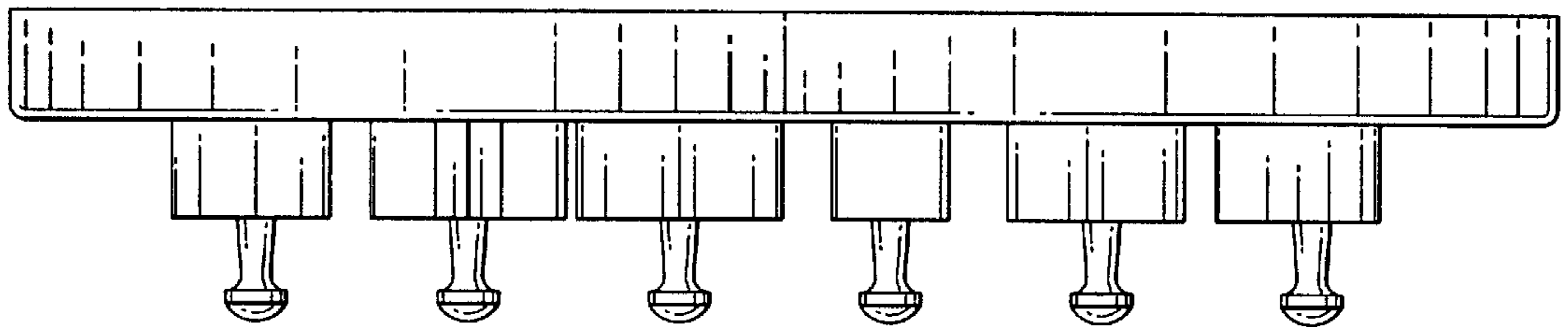


FIG. 4

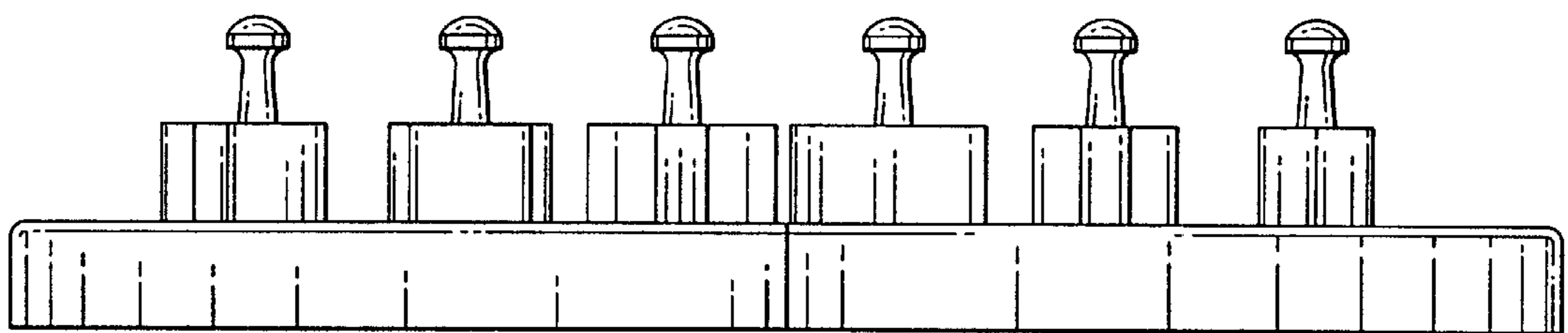


FIG. 5

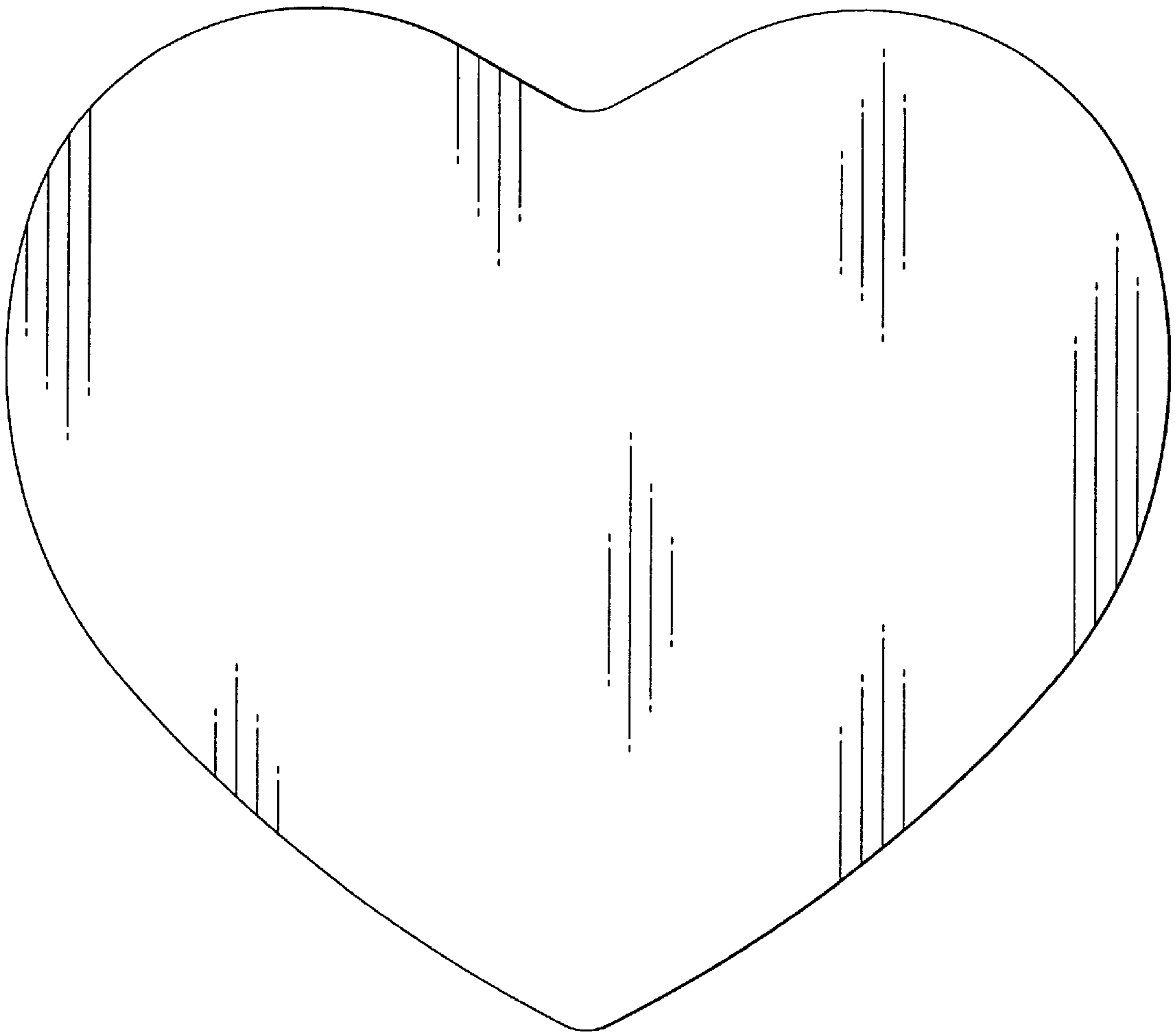


FIG. 6